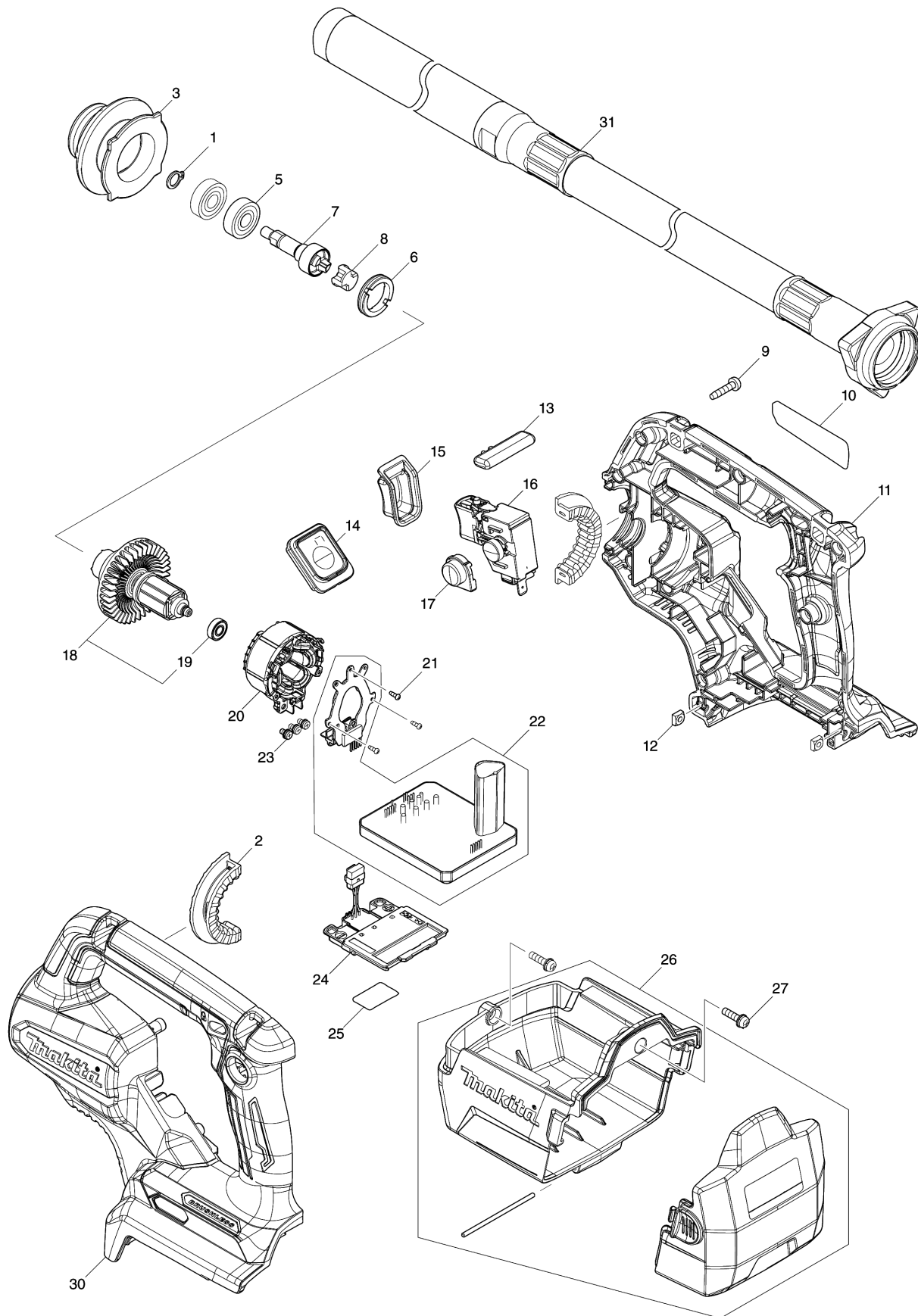


Model No.VR004G CORDLESS CONCRETE VIBRATOR



Model No.VR004G CORDLESS CONCRETE VIBRATOR

Položaj	Številka dela	Opis	Sprememba	Količina	New/Old	Opcijsko 1	Opcijsko 2	Opomba
001	961005-4	Zaščitni obroč S-9		1				
002	422910-5	RUBBER RING		2				
003	313434-1	HOSE HOLDER		1				
005	210051-7	Kroglični ležaj 609LLB		2				
006	285053-2	BEARING RETAINER 19-26		1				
007	141K76-5	SPINDLE COMPLETE		1				
008	424833-3	SPACER		1				
009	266045-0	Pločevinasti vijak 4x20		11				
010	858L76-1	VR004G NAME PLATE		1				
011	183V84-6	HOUSING SET		1				
C10	8005T5-8	XGT LOGO LABEL		1				
C20	263005-3	Gumi zatič 6		2				
D10		INC. 30						
012	252173-7	SQUARE NUT		2				
013	458822-6	LOCK LEVER		1				
014	141K86-2	SWITCH CIRCUIT COMPLETE		1				
C10	8055V0-7	SWITCH LABEL		1				
015	422966-8	SWITCH COVER		1				
016	651493-0	SWITCH C3JW-4CM-1L		1				
017	458819-5	LOCK ON BUTTON COVER		1				
018	136692-0	ROTOR ASS'Y		1				
D10		INC. 19						
019	210039-7	BALL BEARING 695DDW		1				
020	629B21-1	STATOR		1				
021	266490-9	TAPPING SCREW PT 2X6		3				
022	620H52-9	CONTROLLER		1				
C10	688163-8	LINE FILTER		1				
C20	688164-6	Linjski filter za enosmerno napetost		2				
023	652069-6	FLAT HEAD SCREW M3X6		3				
024	632P65-6	TERMINAL UNIT		1				
025	858L80-0	VR004G SERIAL NO. LABEL		1				
026	136704-9	BATTERY CASE S ASS'Y		1				
C10	816B52-1	CAUTION LABEL		1				
C20	810196-7	Opozorilna oznaka		1				
027	911128-8	Vijak z nizko cilindrično glavo M4x16		2				
030	183V84-6	HOUSING SET		1				
C10	8005T5-8	XGT LOGO LABEL		1				
C20	263005-3	Gumi zatič 6		2				
D10		INC. 11						
031	1910E3-1	FLEXIBLE SHAFT 38-1.2 SET		1				

Please order the parts with part number.

Print Date 4/1/2023

Model No.VR004G CORDLESS CONCRETE VIBRATOR

Položaj	Številka dela	Opis	Sprememba	Količina	New/Old	Opcijsko 1	Opcijsko 2	Opomba
C10	HA00000307	SHAFT (1.0M)		1				
A01	781213-9	WRENCH 8		1				
A02B	412393-7	BATTERY COVER		1				
A03B	***DC40RA	DC40RA FAST CHARGER		1				
D10		COMPO-PARTS						
A04B	191B26-6	BATTERY BL4040 SET		1				

Please order the parts with part number.

Print Date 4/1/2023