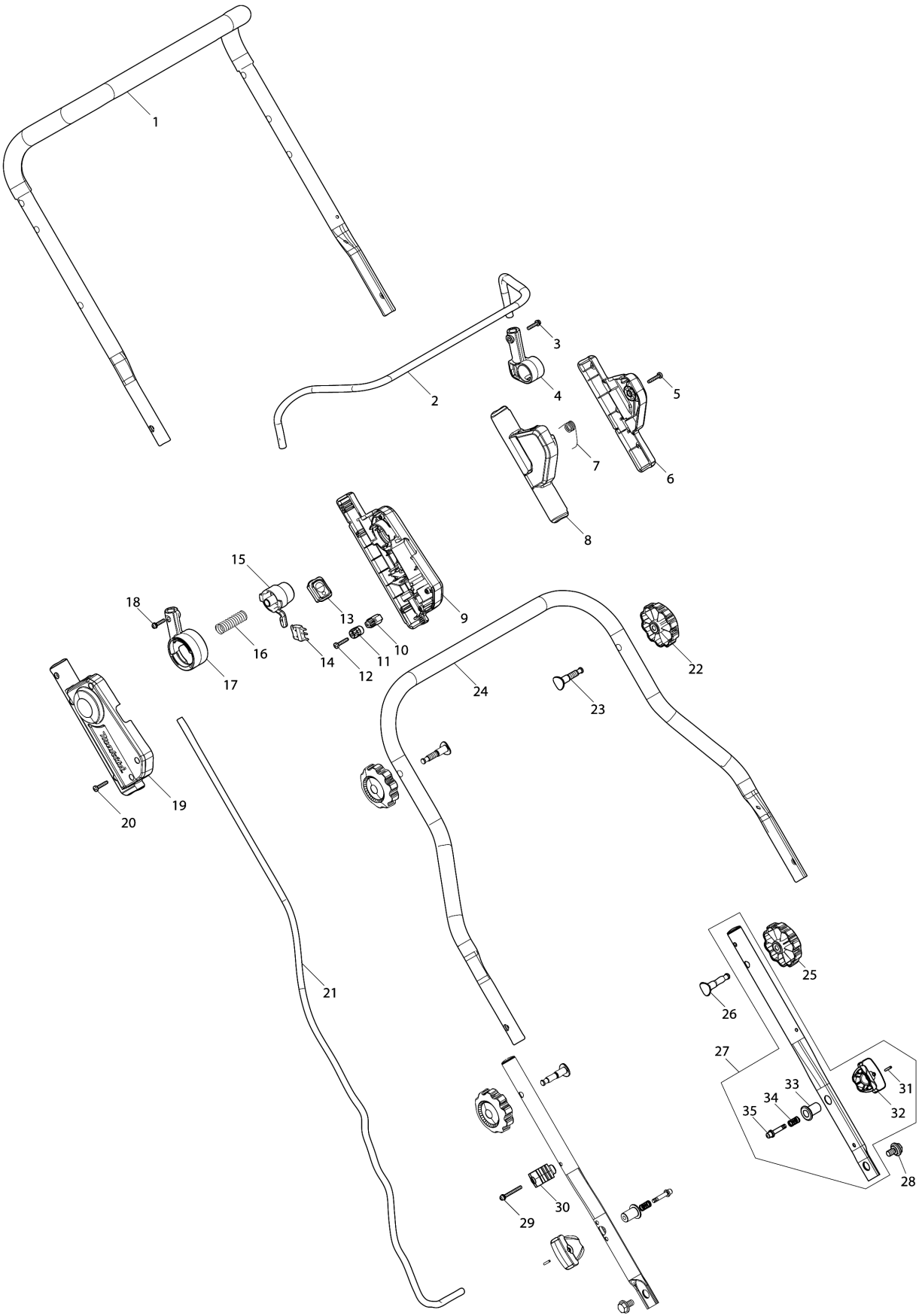
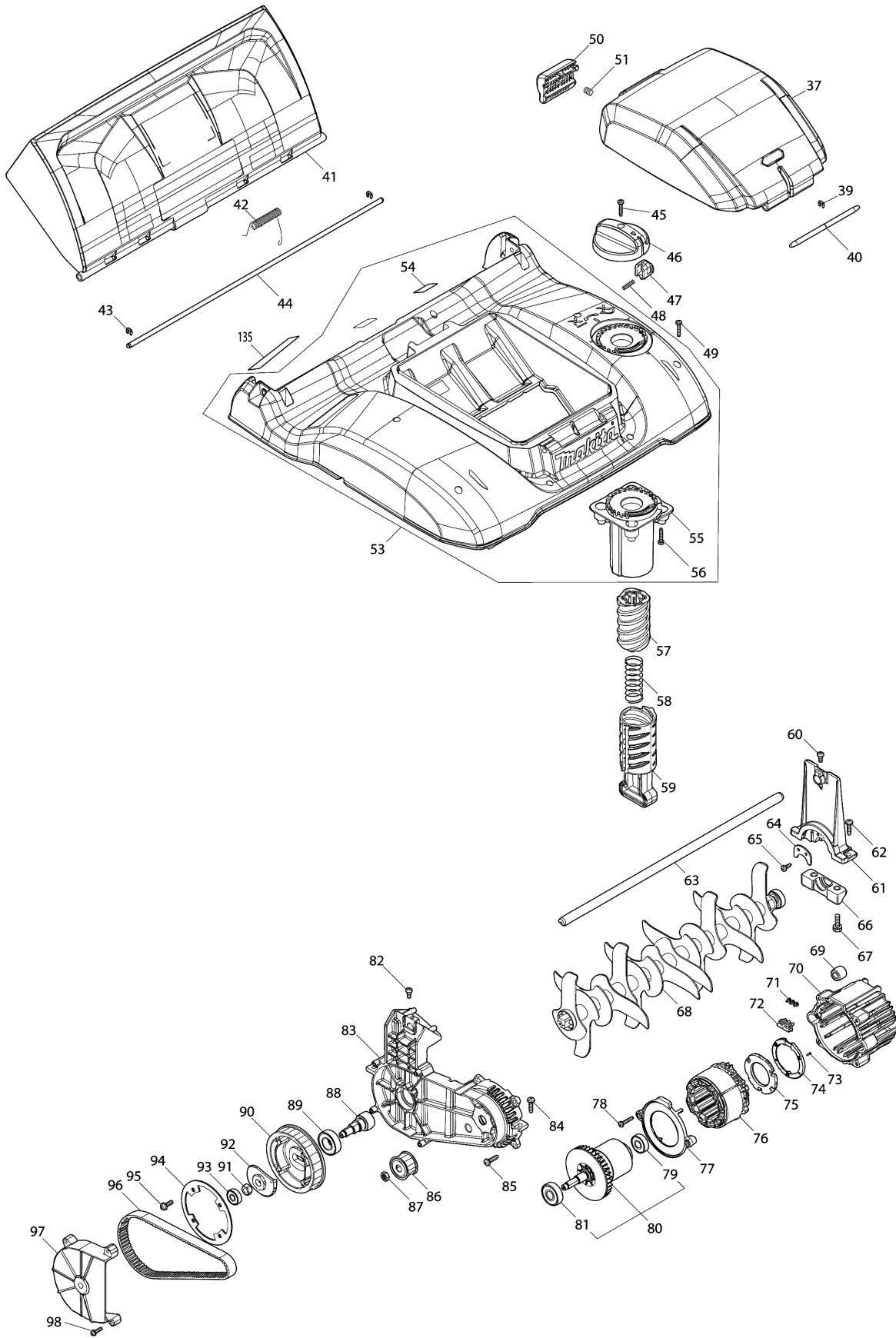


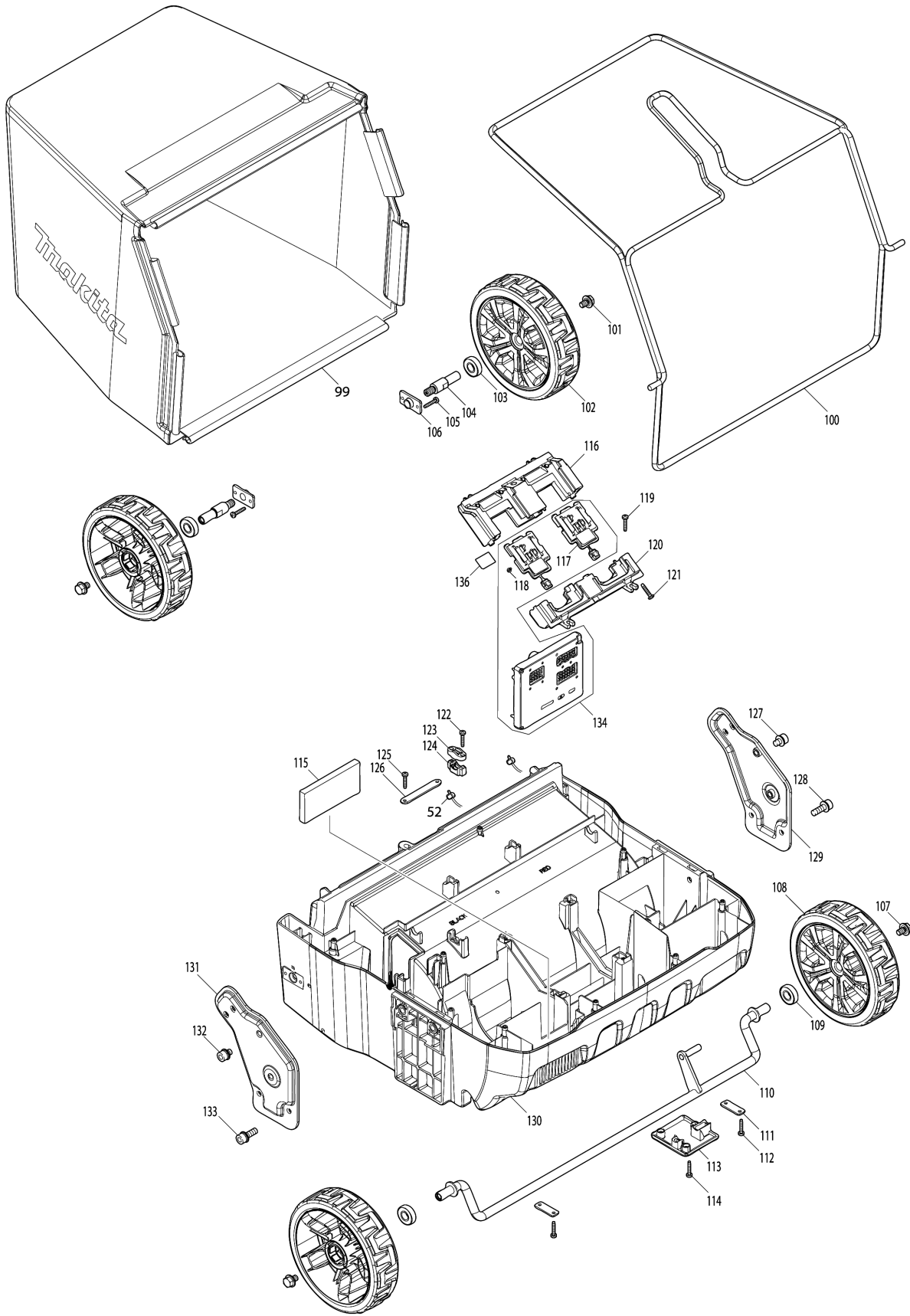
Model No.UV001G 380MM CORDLESS SCARIFIER



Model No.UV001G 380MM CORDLESS SCARIFIER



Model No.UV001G 380MM CORDLESS SCARIFIER



Model No.UV001G 380MM CORDLESS SCARIFIER

Položaj	Številka dela	Opis	Sprememba	Količina	New/Old	Opcijsko 1	Opcijsko 2	Opomba
001	327871-3	HANDLE UPPER		1				
002	327424-8	SWITCH LEVER		1				
003	911138-5	Vijak z nizko cilindrično glavo M4x20		1				
004	459863-5	SWITCH LEVER SUPPORT L		1				
005	266424-2	Samovrezni vijak 4x20 TM3000C		4				
006	183U21-4	LEVER BOX SET		1				
D10		INC. 8						
007	232575-3	TORSION SPRING 12		1				
008	183U21-4	LEVER BOX SET		1				
D10		INC. 6						
009	1830B2-6	SWITCH BOX SET		1				
C10	8044A1-9	INDICATION LABEL		1				
D10		INC. 19						
010	687051-6	PCRAIN RELIEF		1				
011	687123-7	PCRAIN RELIEF		1				
012	266424-2	Samovrezni vijak 4x20 TM3000C		2				
013	140X08-7	SWITCH CIRCUIT COMPLETE		1				
014	632T11-3	SWITCH UNIT		1				
015	459857-0	LOCK OFF BUTTON		1				
016	231227-3	Tlačna spiralna vzmet 15		1				
017	459856-2	SWITCH LEVER SUPPORT R		1				
018	911138-5	Vijak z nizko cilindrično glavo M4x20		1				
019	1830B2-6	SWITCH BOX SET		1				
C10	8044A1-9	INDICATION LABEL		1				
D10		INC. 9						
020	266424-2	Samovrezni vijak 4x20 TM3000C		6				
021	699226-5	POWER SUPPLY CORD UNIT		1				
022	265C06-5	THUMB NUT M8		2				
023	265C08-1	FLAT HEAD BOLT M8X50		2				
024	327C02-2	HANDLE MIDDLE		1				
025	265C06-5	THUMB NUT M8		2				
026	265C08-1	FLAT HEAD BOLT M8X50		2				
027	122E95-4	HANDLE LOWER ASSEMBLY		2				
D10		INC. 31-35						
028	265C07-3	HEX. BOLT M8		2				
029	911163-6	Vijak z nizko cilindrično glavo M4X35 AK3622		1				
030	413944-9	CLAMP		1				
C10	931102-0	Šesterokotna matica M4		1				
031	258004-8	Vzmetni zatič 2.5-16		1				
032	413943-1	KNOB		1				
033	327877-1	LOCK HOLDER		1				

Please order the parts with part number.

Print Date 30/1/2024

Model No.UV001G 380MM CORDLESS SCARIFIER

Položaj	Številka dela	Opis	Sprememba	Količina	New/Old	Opcijsko 1	Opcijsko 2	Opomba
034	234121-8	Tlačna spiralna vzmet 8 FS4300		1				
035	327876-3	LOCK PIN		1				
037	137022-8	BATTERY COVER ASSEMBLY		1				
C10	8025F3-0	XGT LOGO LABEL		1				
039	961018-5	Zaporno tesnilo E-5		3				
040	327209-2	ROD 6		1				
041	141R98-7	REAR FLAP COMPLETE		1				
C10	8071A2-8	CAUTION LABEL		1				
042	232806-0	TORSION SPRING 8		1				
043	961018-5	Zaporno tesnilo E-5		2				
044	256A39-9	ROD 6		1				
045	266424-2	Samovrezni vijak 4x20 TM3000C		1				
046	413R80-9	DIAL 75		1				
047	413R81-7	LOCK OFF BUTTON		1				
048	234003-4	COMPRESSION SPRING 5		1				
049	266424-2	Samovrezni vijak 4x20 TM3000C		9				
050	413B03-1	LOCK LEVER		1				
051	231037-8	Tlačna spiralna vzmet 7		1				
052	620M29-4	LED CIRCUIT		1				
053	122E94-6	COWLING ASSEMBLY		1				
D10		INC. 54-56						
054	8031N0-1	INDICATION LABEL		2				
055	413R72-8	HOLDER		1				
056	266424-2	Samovrezni vijak 4x20 TM3000C		4				
057	413R79-4	ADJUST SCREW		1				
058	232385-8	COMPRESSION SPRING 23		1				
059	413R71-0	ADJUST SCREW HOLDER		1				
060	251306-1	+ PAN HEAD SCREW M5		1				
061	312E25-5	SHAFT HOLDER		1				
062	266021-4	Samovrezni vijak 5x20		2				
063	327C01-4	SHAFT 12		1				
064	347B58-3	BEARING RETAINER		1				
065	266026-4	Samovrezni vijak CT 4X12 UC3030A		2				
066	413R76-0	BLADE UNDER BRACKET		1				
067	921331-3	Vijak s šestokotno glavo M6X20 2704		2				
068	1913J5-0	VERTICAL CUTTER SET		1				
069	688163-8	LINE FILTER		1				
070	459143-9	MOTOR HOUSING		1				
071	652031-1	PAN HEAD SCREW M3X6		3				
072	632R64-0	LEAD UNIT		1				
073	266490-9	TAPPING SCREW PT 2X6		3				
074	687B69-9	STOPPER		1				

Please order the parts with part number.

Print Date 30/1/2024

Model No.UV001G 380MM CORDLESS SCARIFIER

Položaj	Številka dela	Opis	Sprememba	Količina	New/Old	Opcijsko 1	Opcijsko 2	Opomba
075	620H75-7	CONTROLLER B		1				
076	629C28-3	STATOR		1				
077	413R69-7	BAFFLE PLATE		1				
078	266424-2	Samovrezni vijak 4x20 TM3000C		2				
079	210141-6	BALL BEARING 6000DDW		1				
080	519823-0	ROTOR ASS'Y		1				
D10		INC 79,81						
081	210195-3	BALL BEARING 6201DDW		1				
082	251306-1	+ PAN HEAD SCREW M5		1				
083	312E24-7	PULLEY HOLDER		1				
084	266021-4	Samovrezni vijak 5x20		3				
085	266021-4	Samovrezni vijak 5x20		4				
086	222204-6	PULLEY 20		1				
087	252154-1	Šesterokotna matica M8- 13		1				
088	327B97-9	SHAFT 17		1				
089	210126-2	BALL BEARING 6003LLU		1				
090	222205-4	PULLEY 60		1				
091	931503-2	Šestroba matica M10 BO6040		1				
092	313474-9	ECCENTRIC DISK		1				
093	210044-4	Kroglični ležaj 608DDW		1				
094	347B45-2	PULLEY PLATE 30		1				
095	911223-4	Vijak z nizko cilindrično glavo M5x16		2				
096	225108-1	SYNCHRO BELT 15-525		1				
097	413R75-2	BEARING COVER		1				
098	911128-8	Vijak z nizko cilindrično glavo M4x16		4				
099	162C50-2	GRASS CATCHER		1				
100	162C49-7	GRASS CATCHER BRACKET		1				
101	265324-3	HEX. FLANGE HEAD BOLT M8x12		2				
102	141E34-5	TIRE 180 COMPLETE		2				
103	210216-1	BALL BEARING 6001DDW		2				
104	327B98-7	REAR SHAFT		2				
105	266424-2	Samovrezni vijak 4x20 TM3000C		4				
106	313475-7	REAR SHAFT HOLDER		2				
107	265324-3	HEX. FLANGE HEAD BOLT M8x12		2				
108	141E34-5	TIRE 180 COMPLETE		2				
109	210216-1	BALL BEARING 6001DDW		2				
110	162C48-9	FRONT SHAFT		1				
111	347869-4	PLATE		2				
112	266424-2	Samovrezni vijak 4x20 TM3000C		4				
113	413R70-2	UNDER COVER		1				
114	266424-2	Samovrezni vijak 4x20 TM3000C		3				

Please order the parts with part number.

Print Date 30/1/2024

Model No.UV001G 380MM CORDLESS SCARIFIER

Položaj	Številka dela	Opis	Sprememba	Količina	New/Old	Opcijsko 1	Opcijsko 2	Opomba
115	422A35-1	SPONGE		1				
116	183X12-3	TERMINAL HOUSING SET		1				
C10	263005-3	Gumi zatič 6		4				
D10		INC. 120						
117	632T08-2	TERMINAL UNIT		2				
118	652031-1	PAN HEAD SCREW M3X6		4				
119	266424-2	Samovrezni vijak 4x20 TM3000C		4				
120	183X12-3	TERMINAL HOUSING SET		1				
C10	263005-3	Gumi zatič 6		4				
D10		INC. 116						
121	266424-2	Samovrezni vijak 4x20 TM3000C		3				
122	266424-2	Samovrezni vijak 4x20 TM3000C		2				
123	687123-7	PCRAIN RELIEF		1				
124	687051-6	PCRAIN RELIEF		1				
125	266424-2	Samovrezni vijak 4x20 TM3000C		2				
126	347B46-0	PLATE		1				
127	922413-4	H.S.H.BOLT M8X12 WITH WR		1				
128	922443-5	Inbus vijak M8x25 LS1016L		2				
129	347B42-8	HANDLE BRACKET		1				
130	413R65-5	DECK		1				
131	347B41-0	HANDLE BRACKET R		1				
132	922413-4	H.S.H.BOLT M8X12 WITH WR		1				
133	922443-5	Inbus vijak M8x25 LS1016L		2				
134	539269-4	CONTROLLER ASS'Y		1				
D10		INC. 117,118						
135	8141G7-3	UV001G NAME PLATE		1				
136	8141G9-9	UV001G SERIAL NO. LABEL		1				
A01	1913J7-6	THATCHING BLADE SET		1				
A02	782223-9	Ključ za montažo LS0714/FL		1				
A03B	412393-7	BATTERY COVER		2				
A04B	***DC40RB	DC40RB TWO PORT FAST CHARGER		1				
D10		COMPO-PARTS						
A05B	191B26-6	BATTERY BL4040 SET		2				

Please order the parts with part number.

Print Date 30/1/2024