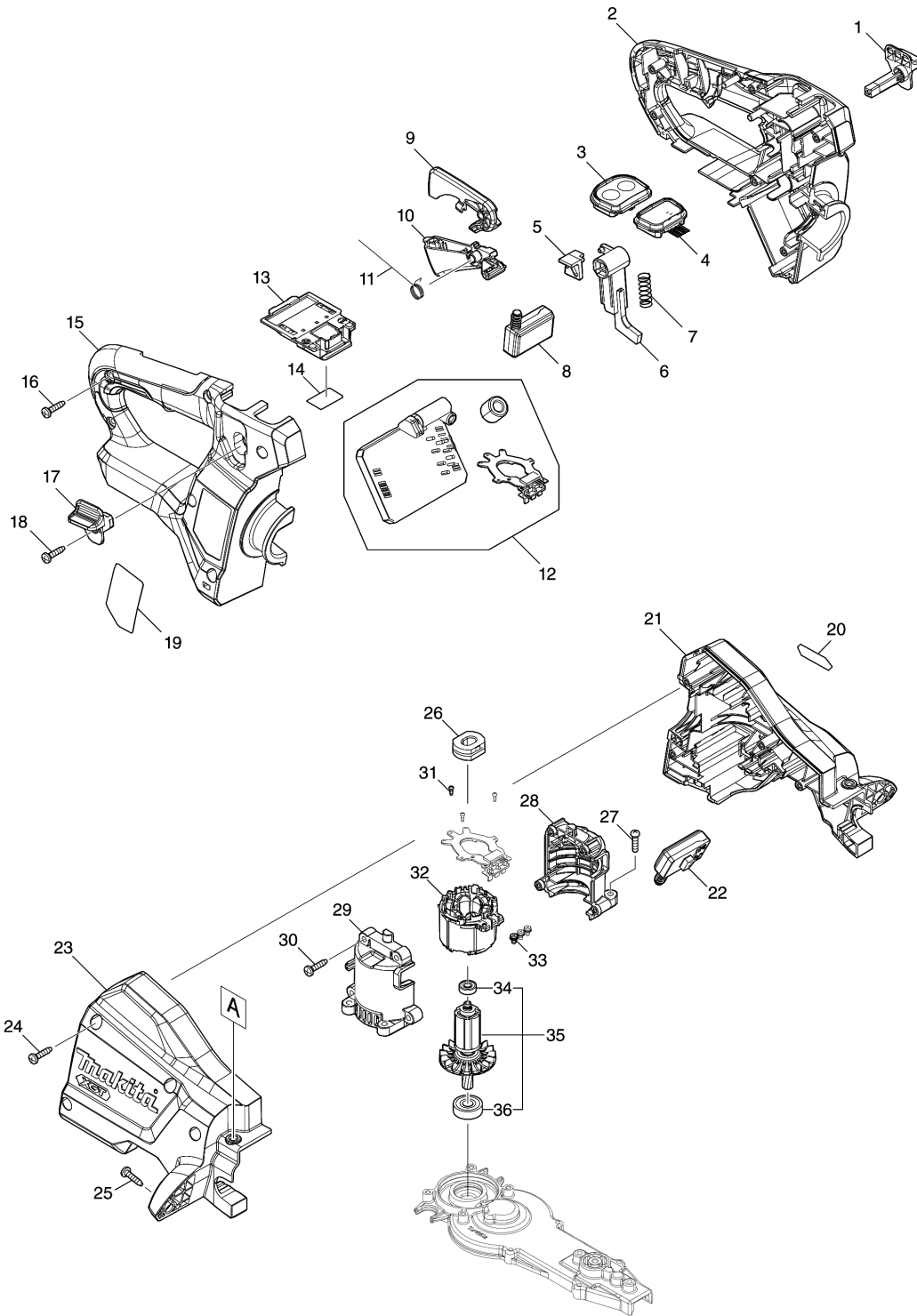
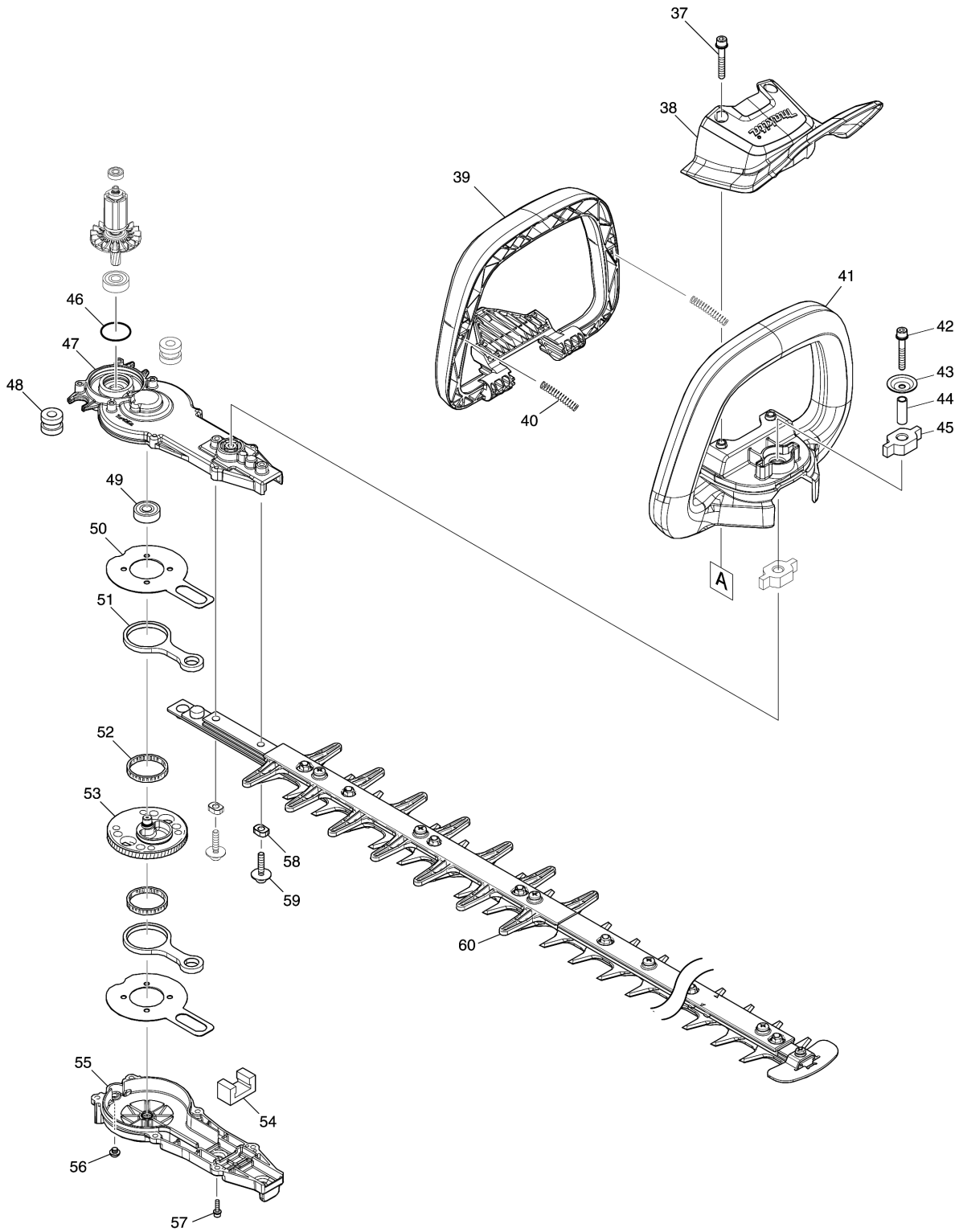


Model No.UH007G 750MM CORDLESS HEDGE TRIMMER





Model No.UH007G 750MM CORDLESS HEDGE TRIMMER





Model No.UH007G 750MM CORDLESS HEDGE TRIMMER

| Položaj | Številka dela | Opis                                  | Sprememba | Količina | New/Old | Opcijsko 1 | Opcijsko 2 | Opomba |
|---------|---------------|---------------------------------------|-----------|----------|---------|------------|------------|--------|
| 001     | 458406-0      | LOCK LEVER L                          |           | 1        |         |            |            |        |
| 002     | 183T66-6      | HANDLE SET                            |           | 1        |         |            |            |        |
| C10     | 263005-3      | Gumi zatič 6                          |           | 2        |         |            |            |        |
| C20     | 8034N8-3      | CAUTION LABEL                         |           | 1        |         |            |            |        |
| D10     |               | INC. 15                               |           |          |         |            |            |        |
| 003     | 141D66-6      | SWITCH CIRCUIT COMPLETE E             |           | 1        |         |            |            |        |
| C10     | 8034K3-2      | SWITCH LABEL                          |           | 1        |         |            |            |        |
| 004     | 140W63-3      | INDICATION CIRCUIT COMPLETE           |           | 1        |         |            |            |        |
| 005     | 458570-7      | SLIDER                                |           | 1        |         |            |            |        |
| 006     | 458405-2      | LOCK ARM                              |           | 1        |         |            |            |        |
| 007     | 234204-4      | COMPRESSION SPRING 8                  |           | 1        |         |            |            |        |
| 008     | 651083-9      | SWITCH C3XA-1PSPM                     |           | 1        |         |            |            |        |
| 009     | 458403-6      | LOCK OFF LEVER                        |           | 1        |         |            |            |        |
| 010     | 413792-6      | SWITCH LEVER R                        |           | 1        |         |            |            |        |
| 011     | 232454-5      | TORSION SPRING 10                     |           | 1        |         |            |            |        |
| 012     | 620E56-3      | CONTROLLER                            |           | 1        |         |            |            |        |
| C10     | 688163-8      | LINE FILTER                           |           | 1        |         |            |            |        |
| C20     | 688164-6      | Linijski filter za enosmerno napetost |           | 1        |         |            |            |        |
| 013     | 632P64-8      | TERMINAL UNIT                         |           | 1        |         |            |            |        |
| 014     | 811J40-1      | UH007G SERIAL NO. LABEL               |           | 1        |         |            |            |        |
| 015     | 183T66-6      | HANDLE SET                            |           | 1        |         |            |            |        |
| C10     | 263005-3      | Gumi zatič 6                          |           | 2        |         |            |            |        |
| C20     | 8034N8-3      | CAUTION LABEL                         |           | 1        |         |            |            |        |
| D10     |               | INC. 2                                |           |          |         |            |            |        |
| 016     | 266326-2      | Pločevinasti vijak 4x18 UB1103        |           | 6        |         |            |            |        |
| 017     | 458407-8      | LOCK LEVER R                          |           | 1        |         |            |            |        |
| 018     | 266326-2      | Pločevinasti vijak 4x18 UB1103        |           | 1        |         |            |            |        |
| 019     | 811J37-0      | UH007G NAME PLATE                     |           | 1        |         |            |            |        |
| 020     | 8025F3-0      | XGT LOGO LABEL                        |           | 1        |         |            |            |        |
| 021     | 183S95-3      | HOUSING SET                           |           | 1        |         |            |            |        |
| C10     | 424344-8      | Blažilec                              |           | 4        |         |            |            |        |
| D10     |               | INC. 23                               |           |          |         |            |            |        |
| 022     | 651083-9      | SWITCH C3XA-1PSPM                     |           | 1        |         |            |            |        |
| 023     | 183S95-3      | HOUSING SET                           |           | 1        |         |            |            |        |
| C10     | 424344-8      | Blažilec                              |           | 4        |         |            |            |        |
| D10     |               | INC. 21                               |           |          |         |            |            |        |
| 024     | 266326-2      | Pločevinasti vijak 4x18 UB1103        |           | 4        |         |            |            |        |
| 025     | 266326-2      | Pločevinasti vijak 4x18 UB1103        |           | 2        |         |            |            |        |
| 026     | 422261-6      | RUBBER SLEEVE                         |           | 1        |         |            |            |        |

Model No.UH007G 750MM CORDLESS HEDGE TRIMMER

| Položaj | Številka dela | Opis   | Sprememba | Količina | New/Old | Opcijsko 1 | Opcijsko 2 | Opomba |
|---------|---------------|--|-----------|----------|---------|------------|------------|--------|
| 027     | 911128-8      | Vijak z nizko cilindrično glavo M4x16        |           | 4        |         |            |            |        |
| 028     | 183S94-5      | MOTOR HOUSING SET                            |           | 1        |         |            |            |        |
| D10     |               | INC. 29                                      |           |          |         |            |            |        |
| 029     | 183S94-5      | MOTOR HOUSING SET                            |           | 1        |         |            |            |        |
| D10     |               | INC. 28                                      |           |          |         |            |            |        |
| 030     | 266326-2      | Pločevinasti vijak 4x18 UB1103               |           | 4        |         |            |            |        |
| 031     | 266490-9      | TAPPING SCREW PT 2X6                         |           | 3        |         |            |            |        |
| 032     | 629A75-2      | STATOR                                       |           | 1        |         |            |            |        |
| 033     | 652069-6      | FLAT HEAD SCREW M3X6                         |           | 3        |         |            |            |        |
| 034     | 211157-4      | BALL BEARING 695ZZ                           |           | 1        |         |            |            |        |
| 035     | 519695-3      | ROTOR ASSY                                   |           | 1        |         |            |            |        |
| D10     |               | INC. 34,36                                   |           |          |         |            |            |        |
| 036     | 210005-4      | Kroglični ležaj 608DDW 432*serija            |           | 1        |         |            |            |        |
| 037     | 265182-7      | Vijak z nizko cilindrično glavo M5*25 UH5580 |           | 2        |         |            |            |        |
| 038     | 458399-1      | PROTECTOR                                    |           | 1        |         |            |            |        |
| 039     | 458402-8      | SWITCH LEVER F                               |           | 1        |         |            |            |        |
| 040     | 233222-9      | COMPRESSION SPRING 5                         |           | 2        |         |            |            |        |
| 041     | 413791-8      | FRONT GRIP E                                 |           | 1        |         |            |            |        |
| 042     | 251476-6      | H.S.H.BOLT M5X35 WITH WR                     |           | 1        |         |            |            |        |
| 043     | 253416-0      | DISH WASHER 5                                |           | 1        |         |            |            |        |
| 044     | 257678-2      | SLEEVE 6                                     |           | 1        |         |            |            |        |
| 045     | 422260-8      | RUBBER SLEEVE 8                              |           | 2        |         |            |            |        |
| 046     | 213961-7      | O tesnilo 22                                 |           | 1        |         |            |            |        |
| 047     | 141C50-5      | GEAR HOUSING COMPLETE                        |           | 1        |         |            |            |        |
| C10     | 263002-9      | Gumi zatič 4                                 |           | 1        |         |            |            |        |
| C20     | 424344-8      | Blažilec                                     |           | 1        |         |            |            |        |
| 048     | 422725-0      | RUBBER SLEEVE 8                              |           | 2        |         |            |            |        |
| 049     | 211032-4      | Kroglični ležaj 608ZZ GA7050                 |           | 1        |         |            |            |        |
| 050     | 347361-0      | FRICITION PLATE                              |           | 2        |         |            |            |        |
| 051     | 347662-6      | CONNECTING ROD                               |           | 2        |         |            |            |        |
| 052     | 212229-8      | NEEDLE CAGE 315                              |           | 2        |         |            |            |        |
| 053     | 141C49-0      | GEAR COMPLETE                                |           | 1        |         |            |            |        |
| 054     | 443159-4      | SEAL   |           | 1        |         |            |            |        |
| 055     | 141C46-6      | GEAR HOUSING COVER COMPLETE                  |           | 1        | *       |            |            |        |
| 055-1   | 141H42-4      | GEAR HOUSING COVER COMPLETE                  | O         | 1        |         |            |            |        |
| 056     | 266559-9      | H.S.BUTTON HEAD BOLT M6X4                    |           | 1        |         |            |            |        |
| 057     | 922128-3      | Inbus vijak M4x16                            |           | 6        |         |            |            |        |
| 058     | 257859-8      | SLEEVE 5                                     |           | 2        |         |            |            |        |

Model No.UH007G 750MM CORDLESS HEDGE TRIMMER

| Položaj | Številka dela | Opis                     | Sprememba | Količina | New/Old | Opcijsko 1 | Opcijsko 2 | Opomba |
|---------|---------------|--------------------------|-----------|----------|---------|------------|------------|--------|
| 059     | 265A89-3      | H.S.H.BOLT M5X25 WITH WR |           | 2        |         |            |            |        |
| 060     | 191R56-3      | SHEAR BLADE 750 R SET    |           | 1        |         |            |            |        |
| C10     | 199450-5      | GREASE VESSEL SET        |           | 1        |         |            |            |        |
| C20     | 413794-2      | GUARD R                  |           | 1        |         |            |            |        |
| C30     | 413796-8      | SPACER 750R              |           | 1        |         |            |            |        |
| C40     | 915211-3      | BINDING HEAD SCREW M5X12 |           | 6        |         |            |            |        |
| D10     |               | INC, 58                  |           |          |         |            |            |        |
| A01     | 412912-9      | BLADE COVER 750          |           | 1        |         |            |            |        |
| E01     | 807949-3      | SOUND 94DB LABEL         |           | 1        |         |            |            |        |

Please order the parts with part number.

Print Date 20/10/2021