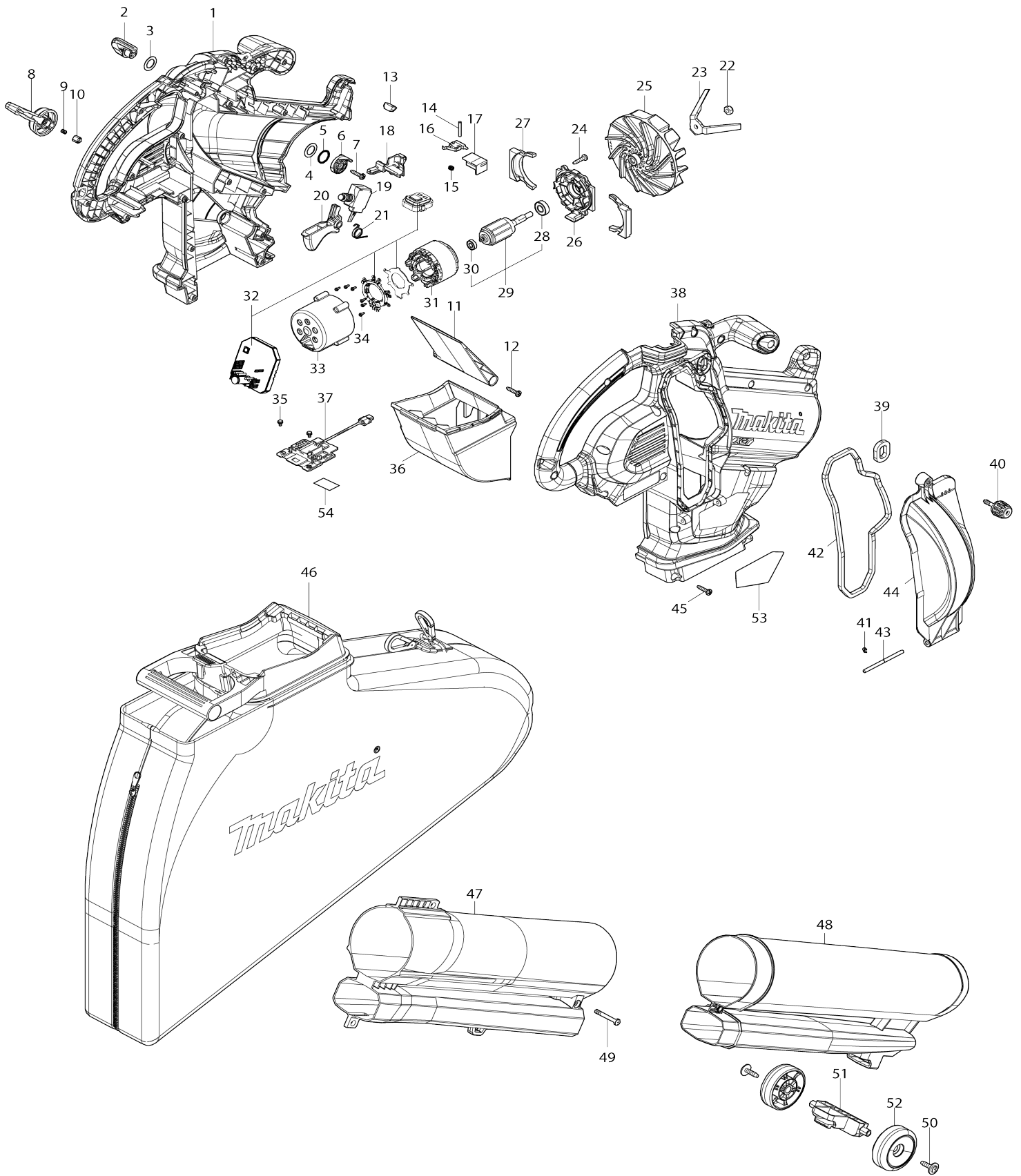


# Model No.UB005G Cordless Blower Vacuum



# Model No.UB005G Cordless Blower Vacuum

Item No.	Parts No.	Description	Interchangability	Q'ty	New/Old	Note1	Note2
001	1832D3-0	HOUSING SET		1			
C10	263005-3	Rubber pin 6		2			
C20	8098M4-6	CAUTION LABEL		1			
001		INC. 38					
002	4134V1-1	Control lever		1			
003	253575-0	Flat washer 13		1			
004	253798-0	Flat washer 13		1			
005	213154-6	O-ring 14		1			
006	412754-1	Link		1			
007	266326-2	Binding head tapping screw 4X18		1			
008	4134V3-7	Change lever		1			
009	234244-2	Compression spring 3		1			
010	4134V5-3	Lock pin		1			
011	4134V4-5	Separator		1			
012	266326-2	Binding head tapping screw 4X18		1			
013	620T39-3	LED circuit		1			
014	256221-4	Pin 3		1			
015	233118-4	Compression spring 4		1			
016	632P71-1	Switch unit		1			
017	4134U9-8	Pusher		1			
018	4134V2-9	Guide		1			
019	650085-2	Switch C3JR-1AV-PAXD3-3		1			
020	4134V0-3	Switch lever		1			
021	232984-6	Torsion spring 12		1			
022	252190-7	Hex. lock nut M6-10		1			
023	347E77-7	Shredder		1			
024	266326-2	Binding head tapping screw 4X18		4			
025	240268-8	Pin 6		1			
026	4134U7-2	Motor housing cover		1			
027	422D24-4	Rubber		2			
028	210040-2	Ball bearing 698LLU		1			
029	519943-0	ROTOR ASSY		1			
029		INC. 28,30					
030	210215-3	Ball bearing 695ZZ		1			
031	629D68-7	Stator		1			
032	620T38-5	Controller		1			
033	4134U6-4	Motor housing		1			
034	652119-7	Pan head screw M2X6		6			
035	652031-1	Pan head screw M3X6		2			
036	4134W4-2	Duct		1			
037	632V23-8	Terminal unit		1			
038	1832D3-0	HOUSING SET		1			
C10	263005-3	Rubber pin 6		2			
C20	8098M4-6	CAUTION LABEL		1			
038		INC. 1					

039	422D17-1	Seal B		1		
040	265E88-9	Thumb screw M5X20		1		
041	961017-7	Stop ring (EXT) E-3		1		
042	422D23-6	Seal A		1		
043	327G38-5	Rod 4		1		
044	4134U8-0	Fan cover		1		
045	266326-2	Binding head tapping screw 4X18		20		
046	162E41-5	Dust bag complete		1		
047	4134W2-6	Upper nozzle		1		
048	4134W3-4	Lower nozzle		1		
049	265E89-7	Pan head screw M5X35		1		
050	265C05-7	Flange tapping screw 5X20		2		
051	4134V6-1	Wheel bracket		1		
052	4134V7-9	Wheel 60		2		
053	8154V3-7	UB005G NAME PLATE		1		
054	8154V4-5	UB005G SERIAL NO. LABEL		1		
A01	122J43-3	Band assembly		1		
A02	1918B8-8	Wide nozzle set		1		
E01	804233-7	SOUND 101DB LABEL		1		
F01	1917G3-7	Harness cover set		1		
F02	1918B8-8	Wide nozzle set		1		
F03	1918R3-0	Joint A hose attachment set		1		

Please state Parts No. when your order.

Print Date 22. 05. 2026