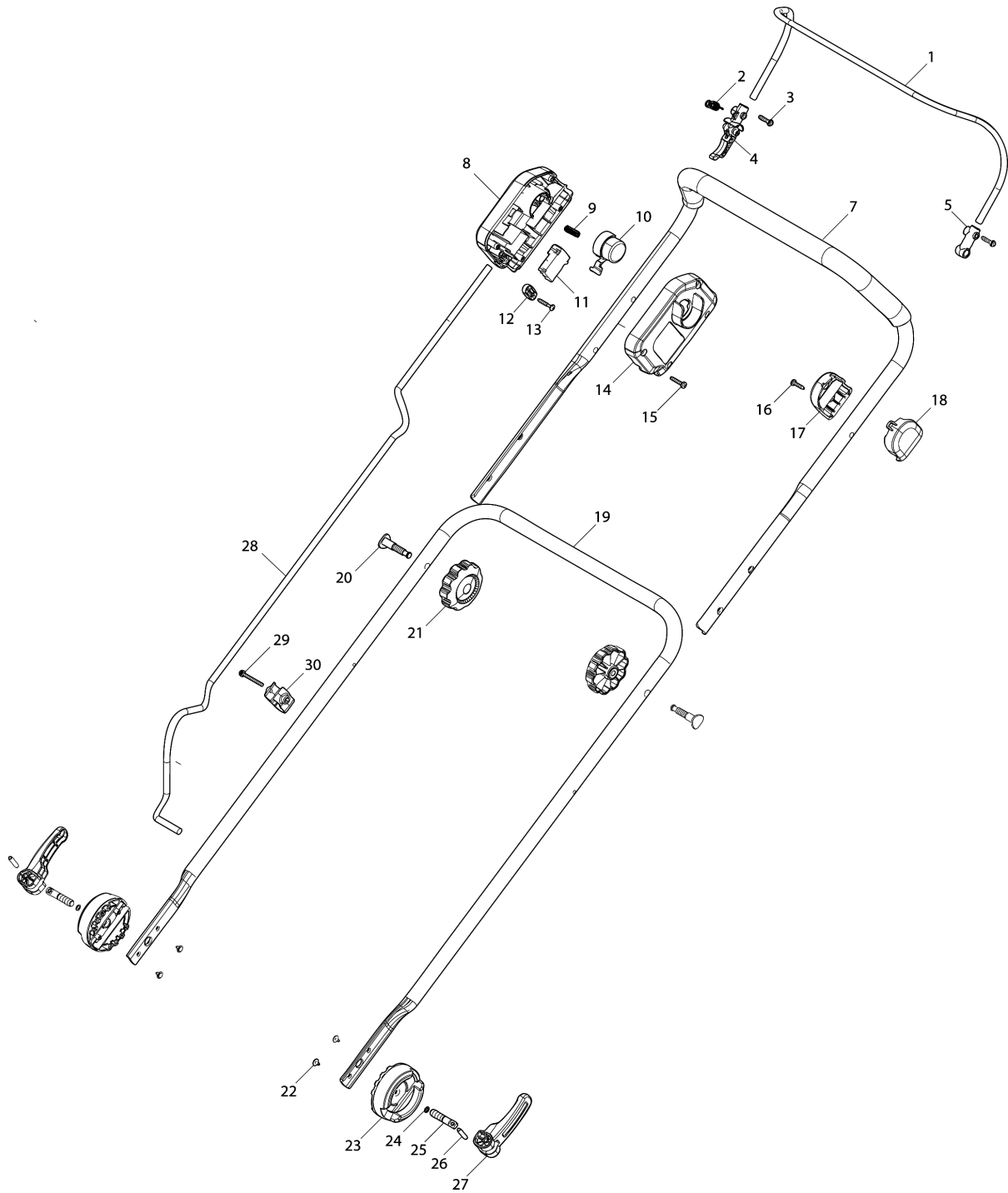
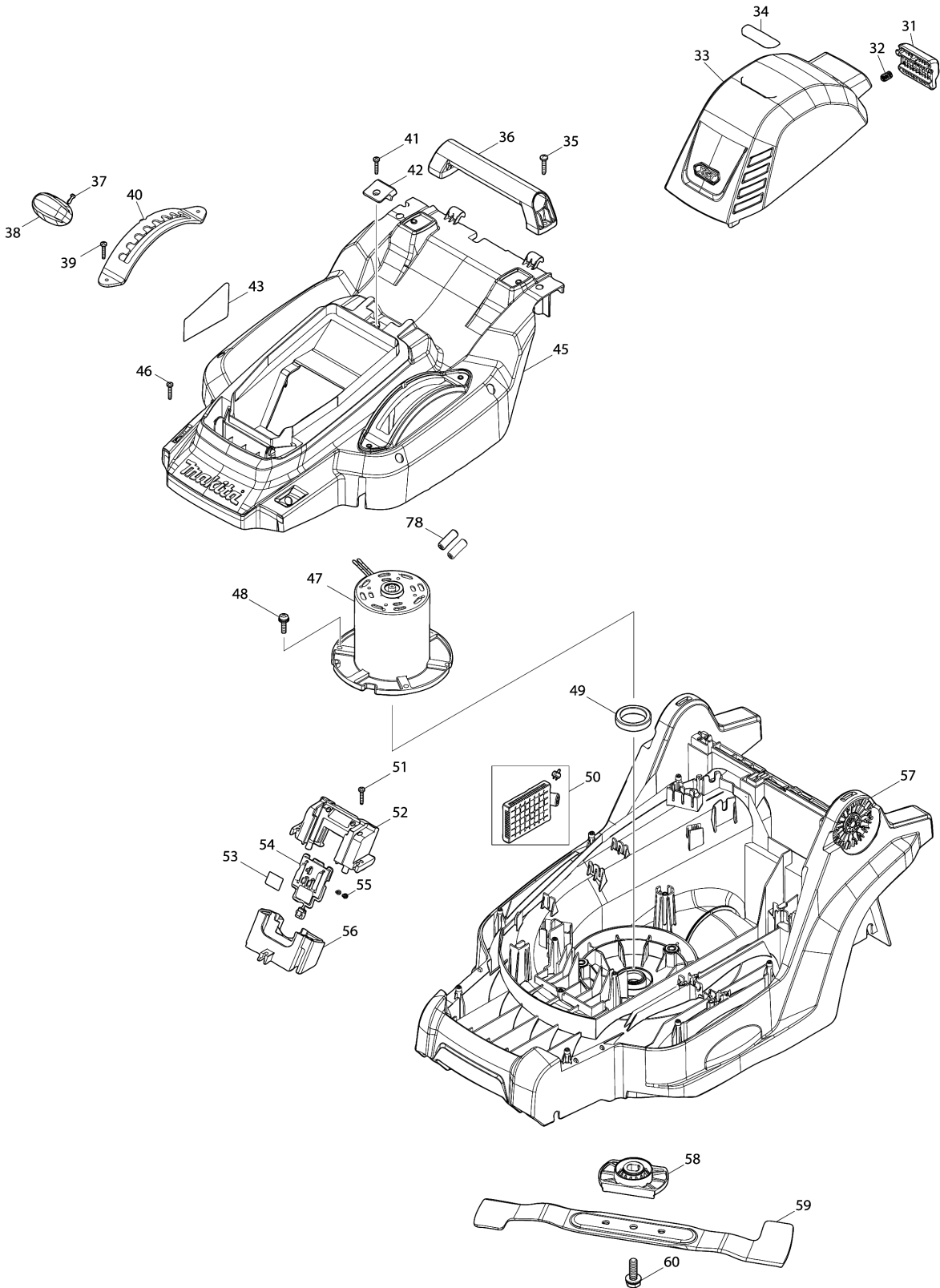


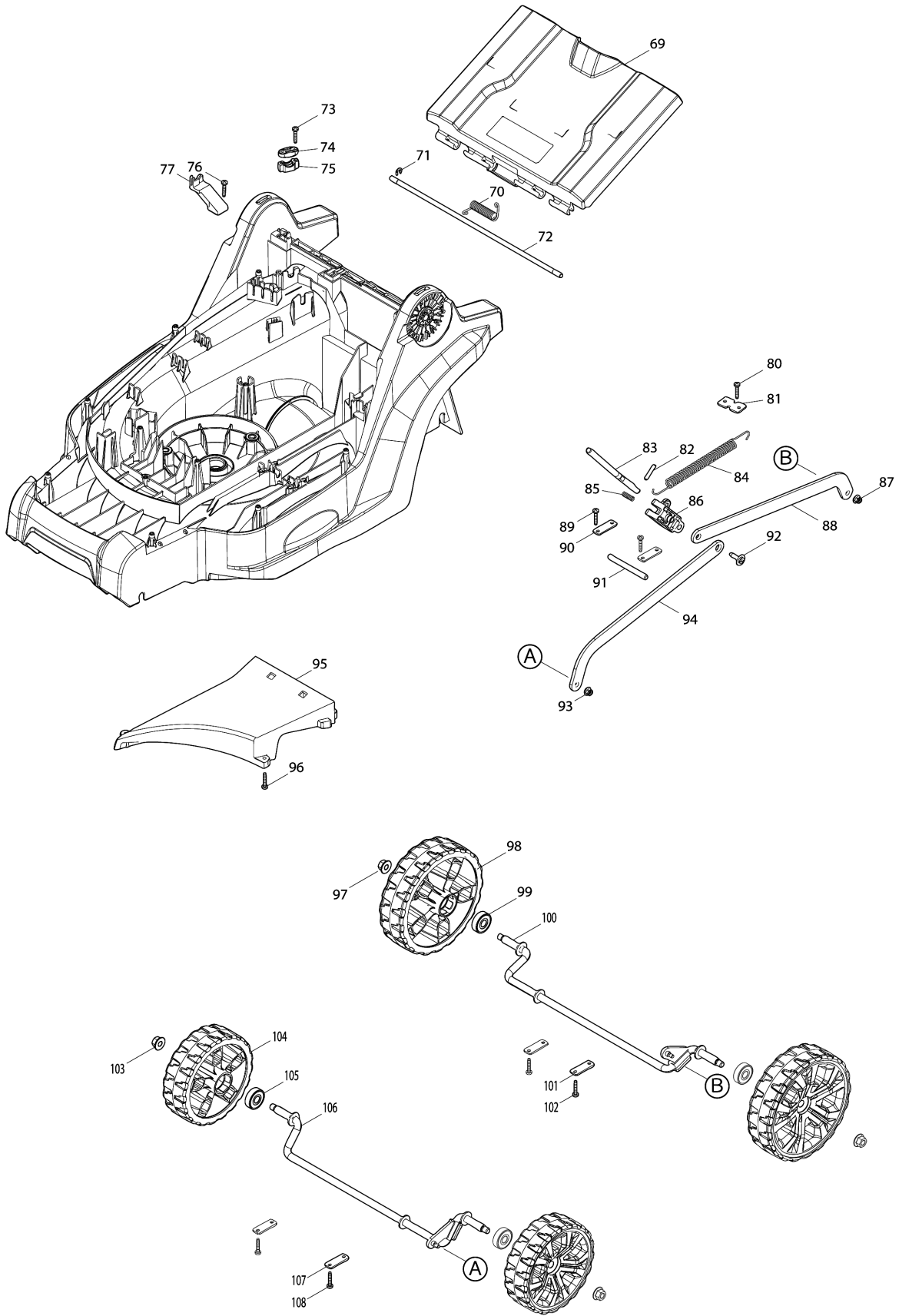
Model No.LM004G 430MM CORDLESS LAWN MOWER



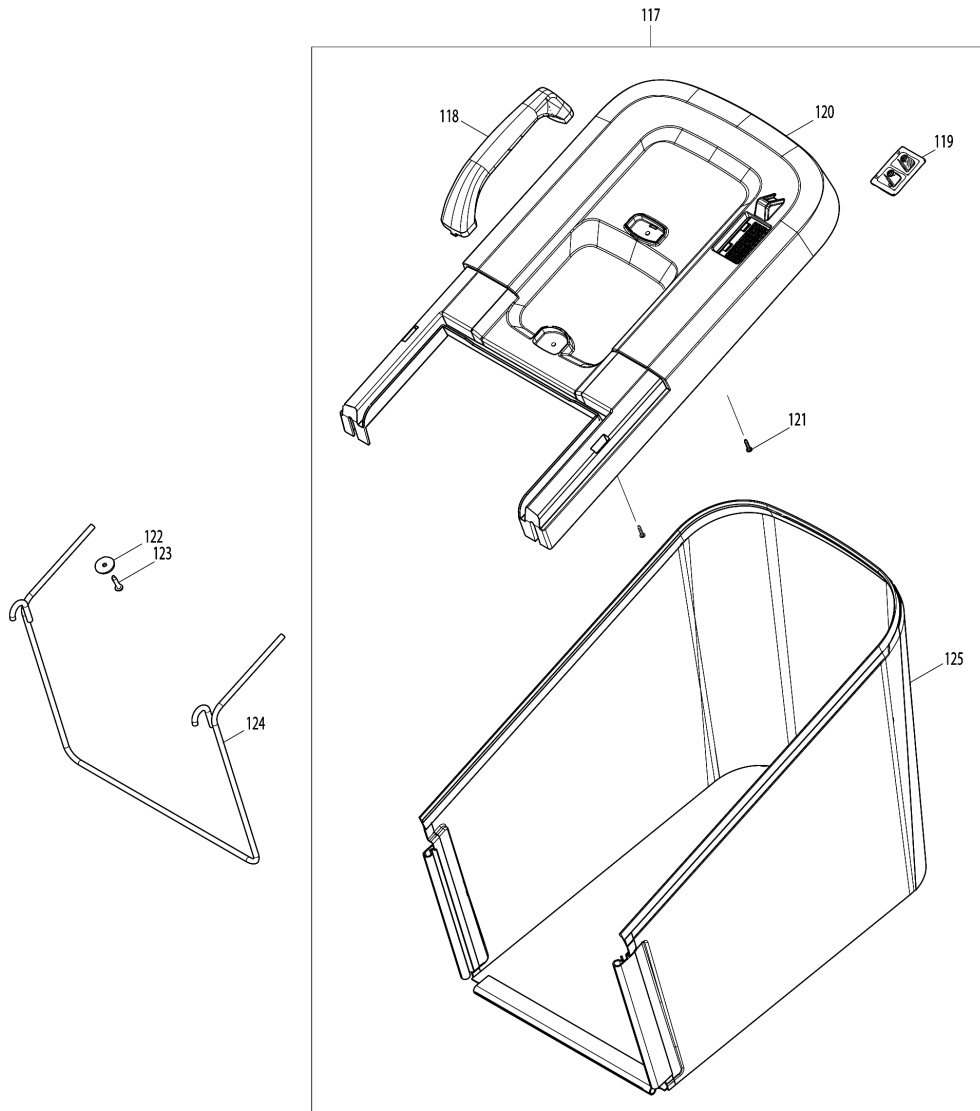
Model No.LM004G 430MM CORDLESS LAWN MOWER



Model No.LM004G 430MM CORDLESS LAWN MOWER



Model No.LM004G 430MM CORDLESS LAWN MOWER



Model No.LM004G 430MM CORDLESS LAWN MOWER

Položaj	Številka dela	Opis	Sprememba	Količina	New/Old	Opcijsko 1	Opcijsko 2	Opomba
001	327C33-1	SWITCH LEVER		1				
002	232814-1	TENSION SPRING 7		1				
003	911138-5	Vijak z nizko cilindrično glavo M4x20		2				
004	455075-8	LEVER		1				
005	455078-2	ARM		1				
007	141T11-7	UPPER PIPE COMPLETE		1				
008	1830C3-1	SWITCH BOX SET		1				
C10	8053U7-4	INDICATION LABEL		1				
D10		INC. 14						
009	233068-3	COMPRESSION SPRING 6		1				
010	455074-0	SWITCH BUTTON		1				
011	650041-2	SWITCH TG772BDS-1		1				
012	687124-5	Blažilec napetosti		1				
013	265999-8	Pločevinasti vijak 4x25 GA9020		2				
014	1830C3-1	SWITCH BOX SET		1				
C10	8053U7-4	INDICATION LABEL		1				
D10		INC. 8						
015	266424-2	Samovrezni vijak 4x20 TM3000C		4				
016	266326-2	Pločevinasti vijak 4x18 UB1103		1				
017	456352-1	SWITCH LEVER CASE COVER		1				
018	456351-3	SWITCH LEVER CASE		1				
019	327C35-7	LOWER PIPE		1				
020	265C08-1	FLAT HEAD BOLT M8X50		2				
021	265C06-5	THUMB NUT M8		2				
022	265B81-5	TAPPING SCREW FLANGE 3X6		4				
023	413T46-1	SUPPORT		2				
024	213877-6	O-RING 6		2				
025	327C36-5	LOCK PIN		2				
026	951119-7	SPRING PIN 4-24		2				
027	413T47-9	LEVER		2				
028	699230-4	POWER SUPPLY CORD UNIT		1				
029	911163-6	Vijak z nizko cilindrično glavo M4X35 AK3622		1				
030	413944-9	CLAMP		1				
C10	931102-0	Šesterokotna matica M4		1				
031	413B03-1	LOCK LEVER		1				
032	231037-8	Tlačna spiralna vzmet 7		1				
033	141T10-9	BATTERY COVER COMPLETE		1				
034	8071M9-8	INDICATION LABEL		1				
035	266459-3	Pločevinasti vijak 5x25 5477NB		2				
036	273675-0	Ročaj A		1				
037	266816-5	+ PAN HEAD SCREW M3X12 WITH WR		2				

Please order the parts with part number.

Print Date 30/1/2024

Model No.LM004G 430MM CORDLESS LAWN MOWER

Položaj	Številka dela	Opis	Sprememba	Količina	New/Old	Opcijsko 1	Opcijsko 2	Opomba
038	413939-2	HEIGHT ADJUST LEVER GRIP		1				
039	266424-2	Samovrezni vijak 4x20 TM3000C		2				
040	162C76-4	HEIGHT ADJUST PLATE		1				
041	266424-2	Samovrezni vijak 4x20 TM3000C		1				
042	413T52-6	HOOK		1				
043	8142C5-5	LM004G NAME PLATE		1				
045	137035-9	COWLING ASS'Y		1				
046	266424-2	Samovrezni vijak 4x20 TM3000C		8				
047	629C41-1	DC MOTOR		1	*			
047-1	629C41-1	DC MOTOR	O	1				
048	265A53-4	+ PAN HEAD SCREW M6X22 WITH WR		3				
049	688238-3	LINE FILTER		1				
050	620M32-5	CONTROLLER		1				
051	266424-2	Samovrezni vijak 4x20 TM3000C		3				
052	1830A2-9	TERMINAL HOUSING SET		1				
C10	263005-3	Gumi zatič 6		2				
D10		INC. 56						
053	8142D1-0	LM004G SERIAL NO. LABEL		1				
054	632T08-2	TERMINAL UNIT		1				
055	652031-1	PAN HEAD SCREW M3X6		2				
056	1830A2-9	TERMINAL HOUSING SET		1				
C10	263005-3	Gumi zatič 6		2				
D10		INC. 52						
057	413T55-0	DECK		1				
058	413T45-3	BLADE SUPPORT		1				
059	1913H4-8	BLADE 430 SET		1				
060	265A69-9	HEX. BOLT M10X35 WITH WG		1				
069	141T62-0	REAR FLAP COMPLETE		1				
C10	8054C4-0	CAUTION LABEL		1				
070	233597-6	Torzijska vzmet 8		1				
071	961018-5	Zaporno tesnilo E-5		1				
072	327C38-1	ROD 6		1				
073	266424-2	Samovrezni vijak 4x20 TM3000C		2				
074	687124-5	Blažilec napetosti		1				
075	687051-6	PCRAIN RELIEF		1				
076	266424-2	Samovrezni vijak 4x20 TM3000C		1				
077	413T62-3	LED HOLDER		1				
078	688165-4	Linjski filter za enosmerno napetost		2				
080	266424-2	Samovrezni vijak 4x20 TM3000C		2				
081	347870-9	HOOK PLATE		1				
082	951119-7	SPRING PIN 4-24		1				

Please order the parts with part number.

Print Date 30/1/2024

Model No.LM004G 430MM CORDLESS LAWN MOWER

Položaj	Številka dela	Opis	Sprememba	Količina	New/Old	Opcijsko 1	Opcijsko 2	Opomba
083	327C32-3	HEIGHT ADJUST LEVER		1				
084	232815-9	TENSION SPRING 12		1				
085	232430-9	COMPRESSION SPRING 5		1				
086	413T51-8	ROD HOLDER		1				
087	252286-4	COLLARED HEX.LOCK NUT M5-8		1				
088	347B65-6	CONNECTING ROD R		1				
089	266424-2	Samovrezni vijak 4x20 TM3000C		4				
090	347869-4	PLATE		2				
091	256A45-4	ROD 7		1				
092	265C05-7	TAPPING SCREW FRANGE 5X20		1				
093	252286-4	COLLARED HEX.LOCK NUT M5-8		1				
094	347B64-8	CONNECTING ROD F		1				
095	413T58-4	UNDER COVER		1				
096	266424-2	Samovrezni vijak 4x20 TM3000C		4				
097	252145-2	COLLARED HEX. NUT M8		2				
098	413U87-3	REAR WHEEL		2				
099	210070-3	Kroglični ležaj 6200ZZ MT240		2				
100	162C78-0	REAR SHAFT		1				
101	347869-4	PLATE		2				
102	266424-2	Samovrezni vijak 4x20 TM3000C		4				
103	252145-2	COLLARED HEX. NUT M8		2				
104	413U86-5	FRONT WHEEL		2				
105	210070-3	Kroglični ležaj 6200ZZ MT240		2				
106	162C77-2	FRONT SHAFT		1				
107	347869-4	PLATE		2				
108	266424-2	Samovrezni vijak 4x20 TM3000C		4				
117	122F56-0	REAR BAG ASSEMBLY		1				
D10		118-121,125						
118	413T48-7	GRIP		1				
119	459806-7	INDICATOR M		1				
120	413T59-2	REAR BAG COVER		1				
121	266424-2	Samovrezni vijak 4x20 TM3000C		2				
122	267438-4	FLAT WASHER 5		2				
123	266424-2	Samovrezni vijak 4x20 TM3000C		2				
124	327C34-9	REAR BAG ROD		1				
125	162C79-8	REAR BAG		1				
A01	1913H8-0	MULCHING PLUG 430 SET		1				
A02	782210-8	SOCKET WRENCH 17		1				
A03B	412393-7	BATTERY COVER		1				
A03C	412393-7	BATTERY COVER		1				
A04B	***DC40WB	DC40WB CHARGER		1				

Please order the parts with part number.

Print Date 30/1/2024

Model No.LM004G 430MM CORDLESS LAWN MOWER

Položaj	Številka dela	Opis	Sprememba	Količina	New/Old	Opcijsko 1	Opcijsko 2	Opomba
A04C	***DC40RC	DC40RC FAST CHARGER		1				
D10		COMPO-PARTS						
A05B	191B26-6	BATTERY BL4040 SET		1				
A05C	191B26-6	BATTERY BL4040 SET		1				
E01	800A17-7	SOUND 94DB LABEL		1				

Please order the parts with part number.

Print Date 30/1/2024