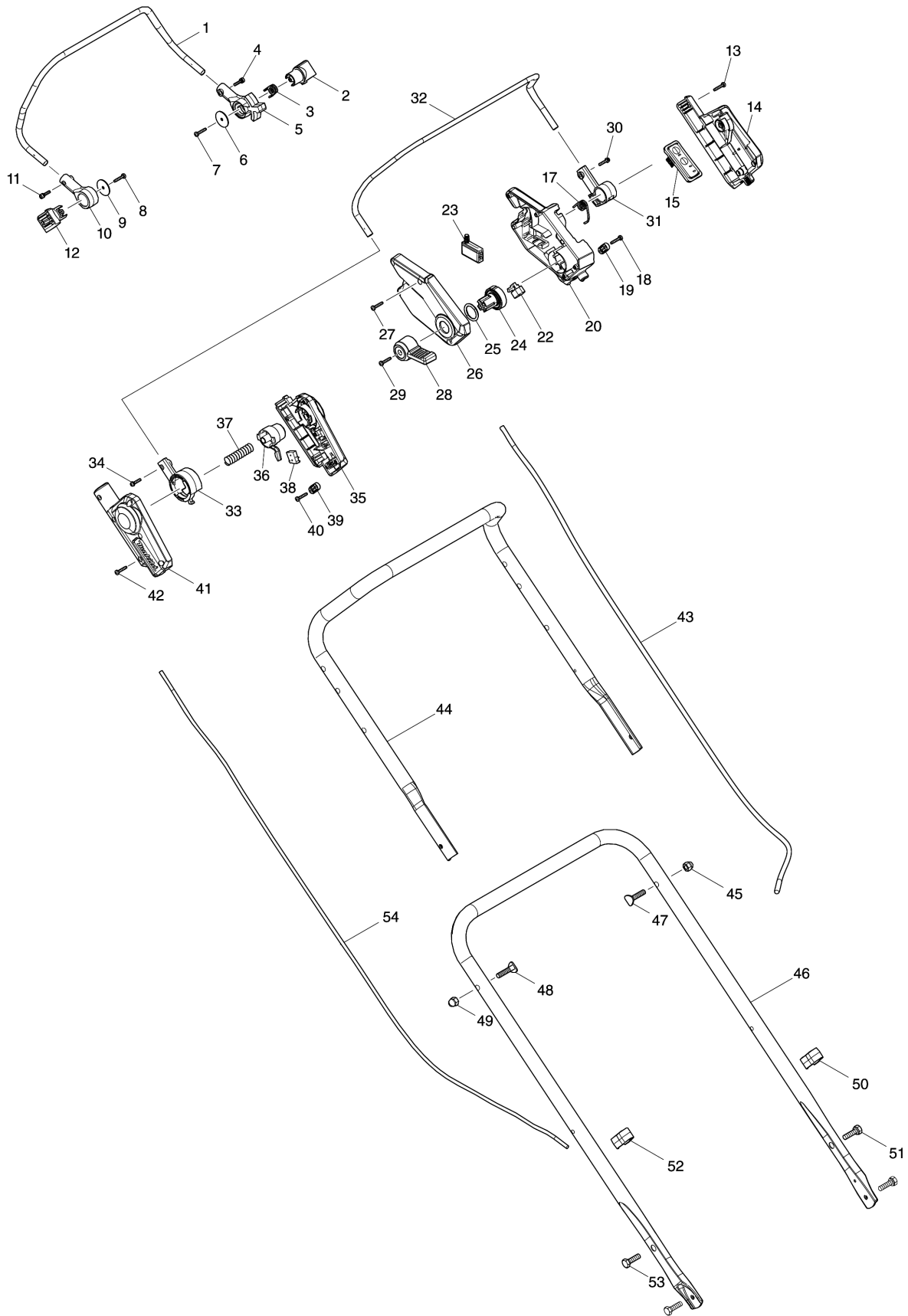
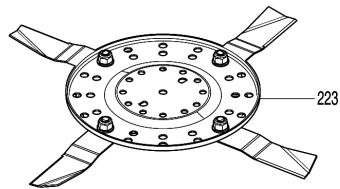
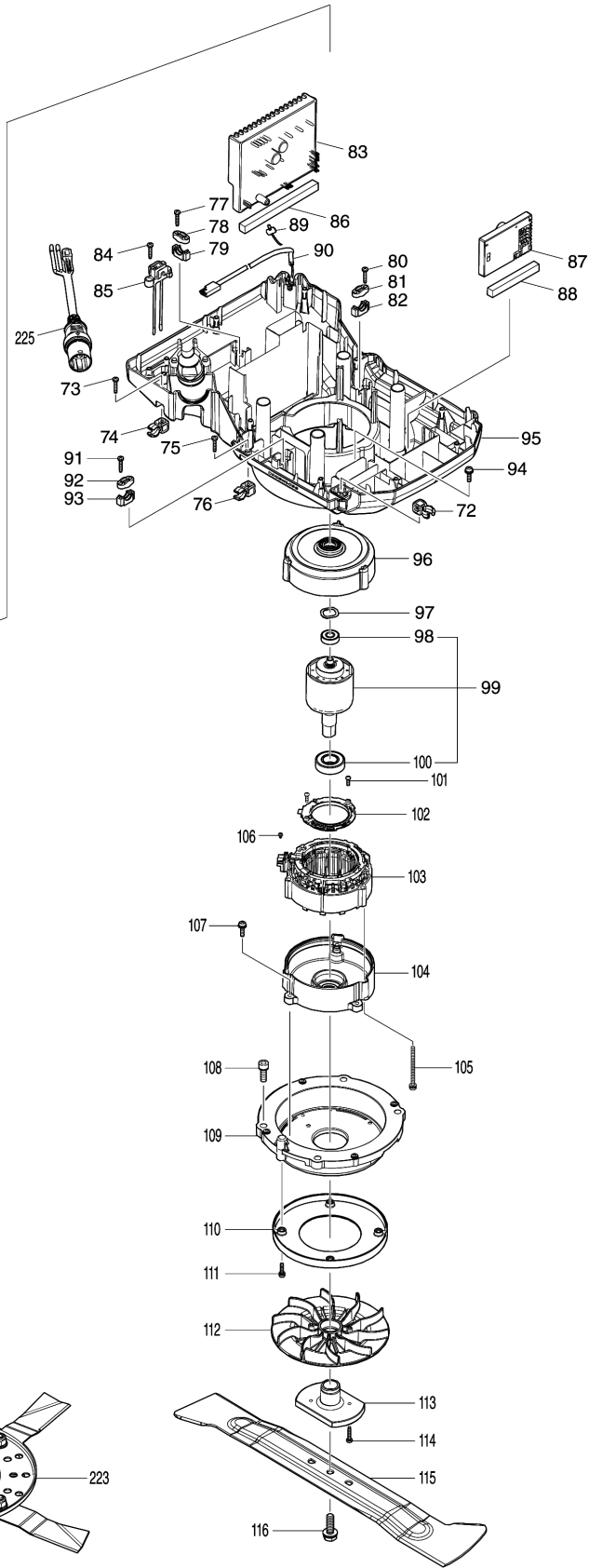
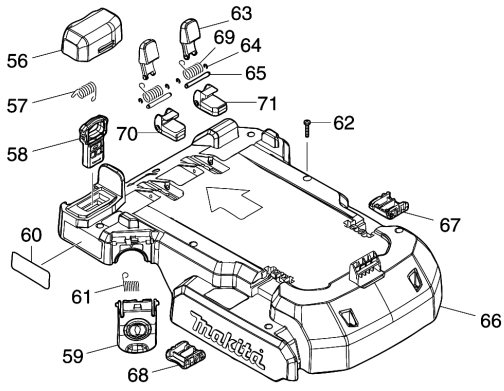


# Model No.LM001C BATTERY POWERED LAWN MOWER



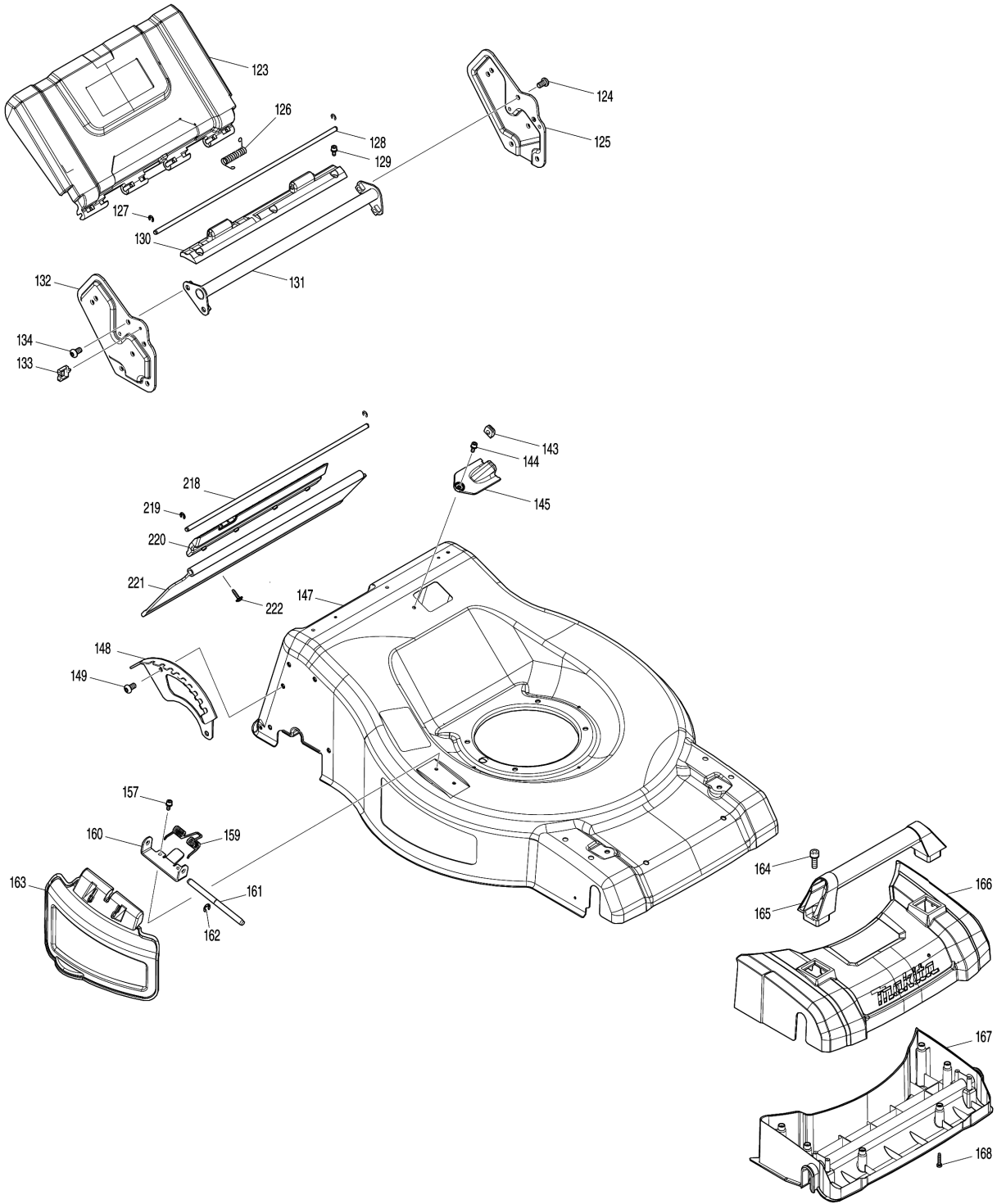


Model No.LM001C BATTERY POWERED LAWN MOWER



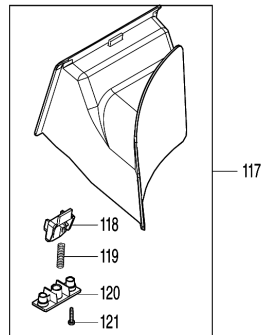
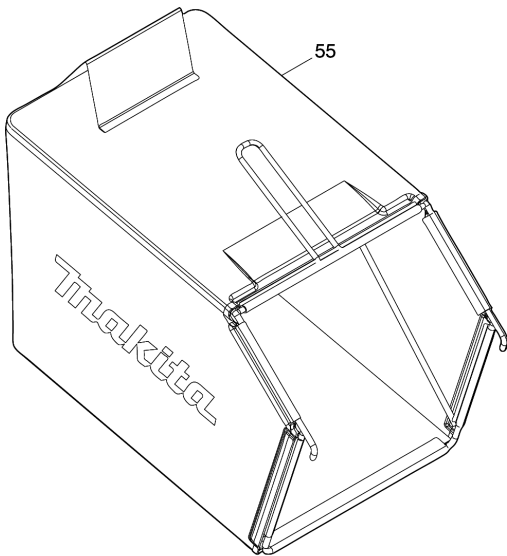
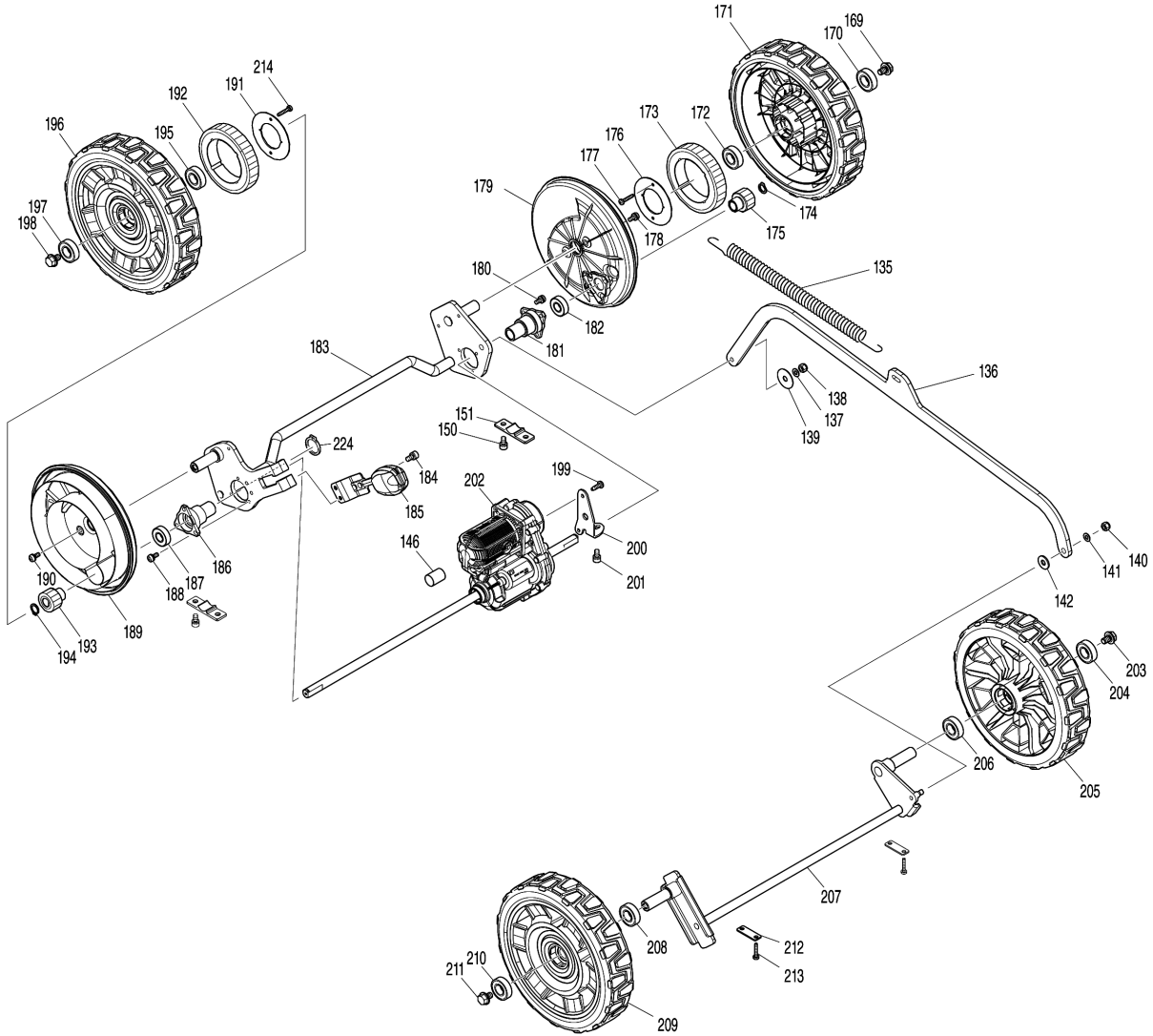


Model No.LM001C BATTERY POWERED LAWN MOWER





# Model No.LM001C BATTERY POWERED LAWN MOWER







Model No.LM001C BATTERY POWERED LAWN MOWER

Položaj	Številka dela	Opis	Sprememba	Količina	New/Old	Opcijsko 1	Opcijsko 2	Opomba
001	327425-6	DRIVING LEVER		1				
002	459859-6	DRIVING LEVER HOLDER		1				
003	232566-4	TORSION SPRING 12		1				
004	911138-5	P.H.SCREW M4X20 WITH WR		1				
005	459864-3	DRIVING LEVER SUPPORT L		1				
006	267136-0	FLAT WASHER 5		1				
007	266424-2	TAPPING SCREW 4X20		1				
008	266424-2	TAPPING SCREW 4X20		1				
009	267136-0	FLAT WASHER 5		1				
010	459858-8	DRIVING LEVER SUPPORT R		1				
011	911138-5	P.H.SCREW M4X20 WITH WR		1				
012	459859-6	DRIVING LEVER HOLDER		1				
013	266424-2	TAPPING SCREW 4X20		6				
014	183S75-9	SWITCH BOX SET		1				
D10		INC. 26						
015	141C58-9	SWITCH CIRCUIT COMPLETE		1				
C10	8031N1-9	SWITCH LABEL		1				
017	232575-3	TORSION SPRING 12		1				
018	266424-2	TAPPING SCREW 4X20		2				
019	687123-7	STRAIN RELIEF		1				
020	413824-9	SWITCH BOX		1				
022	620415-1	SUB CONTROLLER		1				
023	651083-9	SWITCH C3XA-1PSPM		1				
024	459866-9	SPEED LEVER HOLDER		1				
025	213897-0	O-RING 26		1				
026	183S75-9	SWITCH BOX SET		1				
D10		INC. 14						
027	266424-2	TAPPING SCREW 4X20		5				
028	459865-1	SPEED LEVER		1				
029	266424-2	TAPPING SCREW 4X20		1				
030	911138-5	P.H.SCREW M4X20 WITH WR		1				
031	459863-5	SWITCH LEVER SUPPORT L		1				
C10	931102-0	HEX. NUT M4		1				
032	327424-8	SWITCH LEVER		1				
033	459856-2	SWITCH LEVER SUPPORT R		1				
C10	931102-0	HEX. NUT M4		1				
034	911138-5	P.H.SCREW M4X20 WITH WR		1				
035	183P40-0	LEVER BOX SET		1				
C10	8007C6-9	INDICATION LABEL		1				

Model No.LM001C BATTERY POWERED LAWN MOWER

Položaj	Številka dela	Opis	Sprememba	Količina	New/Old	Opcijsko 1	Opcijsko 2	Opomba
D10		INC. 41						
036	459857-0	LOCK OFF BUTTON		1				
037	231227-3	COMPRESSION SPRING 15		1				
038	632E26-0	SWITCH UNIT		1				
039	687124-5	STRAIN RELIEF		1				
040	266424-2	TAPPING SCREW 4X20		2				
041	183P40-0	LEVER BOX SET		1				
C10	8007C6-9	INDICATION LABEL		1				
D10		INC. 35						
042	266424-2	TAPPING SCREW 4X20		6				
043	699162-5	POWER SUPPLY CORD UNIT		1				
044	327421-4	HANDLE UPPER		1				
045	252278-3	HEX. CAP NUT M8		1				
046	327422-2	HANDLE LOWER		1				
047	265A62-3	FLAT HEAD BOLT M8X38		1				
048	265A62-3	FLAT HEAD BOLT M8X38		1				
049	252278-3	HEX. CAP NUT M8		1				
050	459905-5	CLAMP		1				
051	921451-3	HEX. BOLT M8X30		2				
052	459905-5	CLAMP		1				
053	921451-3	HEX. BOLT M8X30		2				
054	699142-1	POWER SUPPLY CORD UNIT		1				
055	127412-3	GRASS CATCHER ASSEMBLY		1				
056	413409-1	KEY COVER		1				
057	232681-4	TORSION SPRING 4		1				
058	643535-4	KEY		1				
059	413408-3	COVER		1				
060	811E55-8	LM001C NAME PLATE		1				
061	232681-4	TORSION SPRING 4		1				
062	266424-2	TAPPING SCREW 4X20		9				
063	413413-0	LEVER		2				
064	961017-7	STOP RING E-3		4				
065	327834-9	ROD 4		2				
066	141D09-8	COWLING UPPER COMPLETE		1				
C10	8031N2-7	CAUTION LABEL		1				
C20	8031N3-5	INDICATION LABEL		1				
067	413432-6	LATCH B		1				
068	413432-6	LATCH B		1				
069	232681-4	TORSION SPRING 4		2				
070	312B03-7	HOOK R		1				

Model No.LM001C BATTERY POWERED LAWN MOWER

Položaj	Številka dela	Opis	Sprememba	Količina	New/Old	Opcijsko 1	Opcijsko 2	Opomba
071	312B02-9	HOOK L		1				
072	413613-2	HOLDER		1				
073	266424-2	TAPPING SCREW 4X20		1				
074	413613-2	HOLDER		1				
075	266424-2	TAPPING SCREW 4X20		1				
076	413613-2	HOLDER		1				
077	266424-2	TAPPING SCREW 4X20		2				
078	687123-7	STRAIN RELIEF		1				
079	687051-6	STRAIN RELIEF		1				
080	266424-2	TAPPING SCREW 4X20		2				
081	687124-5	STRAIN RELIEF		1				
082	687051-6	STRAIN RELIEF		1				
083	620E76-7	CONTROLLER		1				
084	266424-2	TAPPING SCREW 4X20		2				
085	638A15-9	LEAD UNIT		1				
086	422529-0	SPONGE B		1				
087	620E95-3	CONTROLLER		1				
088	422528-2	SPONGE A		1				
089	620C94-3	LED CIRCUIT		1				
090	699145-5	POWER SUPPLY CORD UNIT		1				
091	266424-2	TAPPING SCREW 4X20		2				
092	687124-5	STRAIN RELIEF		1				
093	687051-6	STRAIN RELIEF		1				
094	911233-1	PAN HEAD SCREW M5X20		4				
095	136404-1	COWLING LOWER ASSY		1				
D10		INC. 86,88						
096	319869-4	MOTOR HOUSING UPPER		1				
097	253455-0	WAVE WASHER 19		1				
098	210141-6	BALL BEARING 6000DDW		1				
099	519606-8	ROTOR ASS'Y		1				
D10		INC. 98,100						
100	211387-7	BALL BEARING 6004LLU		1				
101	265B29-7	TAPPING SCREW PT 2X8		2				
102	620B88-2	CONTROLLER B		1				
103	629465-3	STATOR		1				
104	319870-9	MOTOR HOUSING LOWER		1				
105	911691-1	PAN HEAD SCREW M5X70		3				
106	652031-1	PAN HEAD SCREW M3X6		3				
107	911233-1	PAN HEAD SCREW M5X20		4				
108	922441-9	HEX. SOCKET HEAD BOLT M8X25		4				
109	319867-8	MOTOR BRACKET		1				

Model No.LM001C BATTERY POWERED LAWN MOWER

Položaj	Številka dela	Opis	Sprememba	Količina	New/Old	Opcijsko 1	Opcijsko 2	Opomba
110	459853-8	BAFFLE PLATE		1				
111	911126-2	PAN HEAD SCREW M4X16		4				
112	240205-2	FAN 170		1				
113	319868-6	BLADE SUPPORT		1				
114	266424-2	TAPPING SCREW 4X20		2				
115	191D52-7	BLADE 530 SET		1				
116	265A69-9	HEX. BOLT M10X35 WITH WG		1				
117	127516-1	MULCHING PLUG ASSEMBLY		1				
D10		INC. 118-121						
118	459884-7	LOCK LEVER		1				
119	231401-3	COMPRESSION SPRING 7		1				
120	459885-5	LOCK LEVER SUPPORT		1				
121	266424-2	TAPPING SCREW 4X20		2				
123	140R96-8	REAR FLAP COMPLETE		1				
C10	8007P8-6	CAUTION LABEL		1				
124	265B20-5	HEX.SOCKET BUTTON HEAD BOLT M8		4				
125	347579-3	HANDLE BRACKET L		1				
126	233597-6	TORSION SPRING 8		1				
127	961018-5	STOP RING E-5		2				
128	327418-3	ROD 6		1				
129	922213-2	H.S.H.BOLT M5X12 WITH WR		3				
130	459877-4	REAR FLAP HOLDER PLATE		1				
131	162692-4	REAR GRIP		1				
132	347578-5	HANDLE BRACKET R		1				
133	451825-9	CLAMP		1				
134	265B20-5	HEX.SOCKET BUTTON HEAD BOLT M8		4				
135	232628-8	TENSION SPRING 16		1				
136	347580-8	CONNECTING ROD		1				
137	941151-9	FLAT WASHER 6		1				
138	252014-7	HEX. LOCK NUT M6-10		1				
139	267216-2	FLAT WASHER 8		1				
140	252014-7	HEX. LOCK NUT M6-10		1				
141	941151-9	FLAT WASHER 6		1				
142	253762-1	FLAT WASHER 8		1				
143	422526-6	GROMMET		1				
144	922213-2	H.S.H.BOLT M5X12 WITH WR		1				
145	459880-5	LEAD COVER		1				
146	683A20-1	POLYOLEFIN TUBE		1				
147	141D12-9	DECK COMPLETE		1				
C10	8031N4-3	CAUTION LABEL		1				

Please order the parts with part number.

Print Date 1/6/2021

Model No.LM001C BATTERY POWERED LAWN MOWER

Položaj	Številka dela	Opis	Sprememba	Količina	New/Old	Opcijsko 1	Opcijsko 2	Opomba
148	347582-4	HEIGHT ADJUST PLATE		1				
149	265B20-5	HEX.SOCKET BUTTON HEAD BOLT M8		2				
150	922311-2	HEX. SOCKET HEAD BOLT M6X12		4				
151	313290-9	REAR SHAFT HOLDER COVER		2				
157	922213-2	H.S.H.BOLT M5X12 WITH WR		2				
159	232567-2	TORSION SPRING 9		1				
160	347584-0	SIDE DISCHARGE PLATE		1				
161	327420-6	ROD 8		1				
162	961013-5	STOP RING E-7		1				
163	459886-3	SIDE DISCHARGE COVER		1				
164	922441-9	HEX. SOCKET HEAD BOLT M8X25		2				
165	459870-8	FRONT GRIP		1				
166	459871-6	FRONT COVER		1				
167	459872-4	DECK UNDER COVER		1				
168	266424-2	TAPPING SCREW 4X20		6				
169	265324-3	HEX. FLANGE HEAD BOLT M8X12		1				
170	211247-3	BALL BEARING 6002DDW		1				
171	127513-7	REAR WHEEL ASSEMBLY		1				
172	211247-3	BALL BEARING 6002DDW		1				
173	226941-4	SPUR GEAR 49		1				
174	961052-5	RETAINING RING S-12		1				
175	226940-6	SPUR GEAR 12		1				
176	347586-6	GEAR HOLDER PLATE		1				
177	266424-2	TAPPING SCREW 4X20		2				
178	911213-7	PAN HEAD SCREW M5X12		2				
179	459867-7	WHEEL CAP		1				
180	911213-7	PAN HEAD SCREW M5X12		3				
181	327426-4	REAR SHAFT HOLDER		1				
182	210163-6	BALL BEARING 6001DDW		1				
183	162689-3	REAR SHAFT		1				
184	922311-2	HEX. SOCKET HEAD BOLT M6X12		2				
185	162694-0	HEIGHT ADJUST LEVER COMPLETE		1				
186	313369-6	REAR SHAFT HOLDER R		1				
187	210163-6	BALL BEARING 6001DDW		1				
188	911213-7	PAN HEAD SCREW M5X12		3				
189	459867-7	WHEEL CAP		1				
190	911213-7	PAN HEAD SCREW M5X12		2				
191	347586-6	GEAR HOLDER PLATE		1				
192	226941-4	SPUR GEAR 49		1				

Model No.LM001C BATTERY POWERED LAWN MOWER

Položaj	Številka dela	Opis	Sprememba	Količina	New/Old	Opcijsko 1	Opcijsko 2	Opomba
193	226940-6	SPUR GEAR 12		1				
194	961052-5	RETAINING RING S-12		1				
195	211247-3	BALL BEARING 6002DDW		1				
196	127513-7	REAR WHEEL ASSEMBLY		1				
197	211247-3	BALL BEARING 6002DDW		1				
198	265324-3	HEX. FLANGE HEAD BOLT M8X12		1				
199	266388-0	TAPPING SCREW 5X16		2				
200	347585-8	BRACKET		1				
201	922311-2	HEX. SOCKET HEAD BOLT M6X12		1				
202	127510-3	DRIVE UNIT ASSEMBLY		1				
203	265324-3	HEX. FLANGE HEAD BOLT M8X12		1				
204	211247-3	BALL BEARING 6002DDW		1				
205	127514-5	FRONT WHEEL ASSEMBLY		1				
206	211247-3	BALL BEARING 6002DDW		1				
207	162688-5	FRONT SHAFT		1				
208	211247-3	BALL BEARING 6002DDW		1				
209	127514-5	FRONT WHEEL ASSEMBLY		1				
210	211247-3	BALL BEARING 6002DDW		1				
211	265324-3	HEX. FLANGE HEAD BOLT M8X12		1				
212	341462-6	PLATE		2				
213	266424-2	TAPPING SCREW 4X20		4				
214	266424-2	TAPPING SCREW 4X20		2				
224	961059-1	RETAINING RING (EXT) S- 19		1				
225	699163-3	POWER SUPPLY CORD UNIT		1				
A01	327589-6	ROD 6		1				
A02	782210-8	SOCKET WRENCH 17		1				
A03	782212-4	SOCKET WRENCH 13		1				
A04	459887-1	SIDE DISCHARGE MOUTH		1				
E01	8031M9-6	SOUND LABEL		1				

Please order the parts with part number.

Print Date 1/6/2021