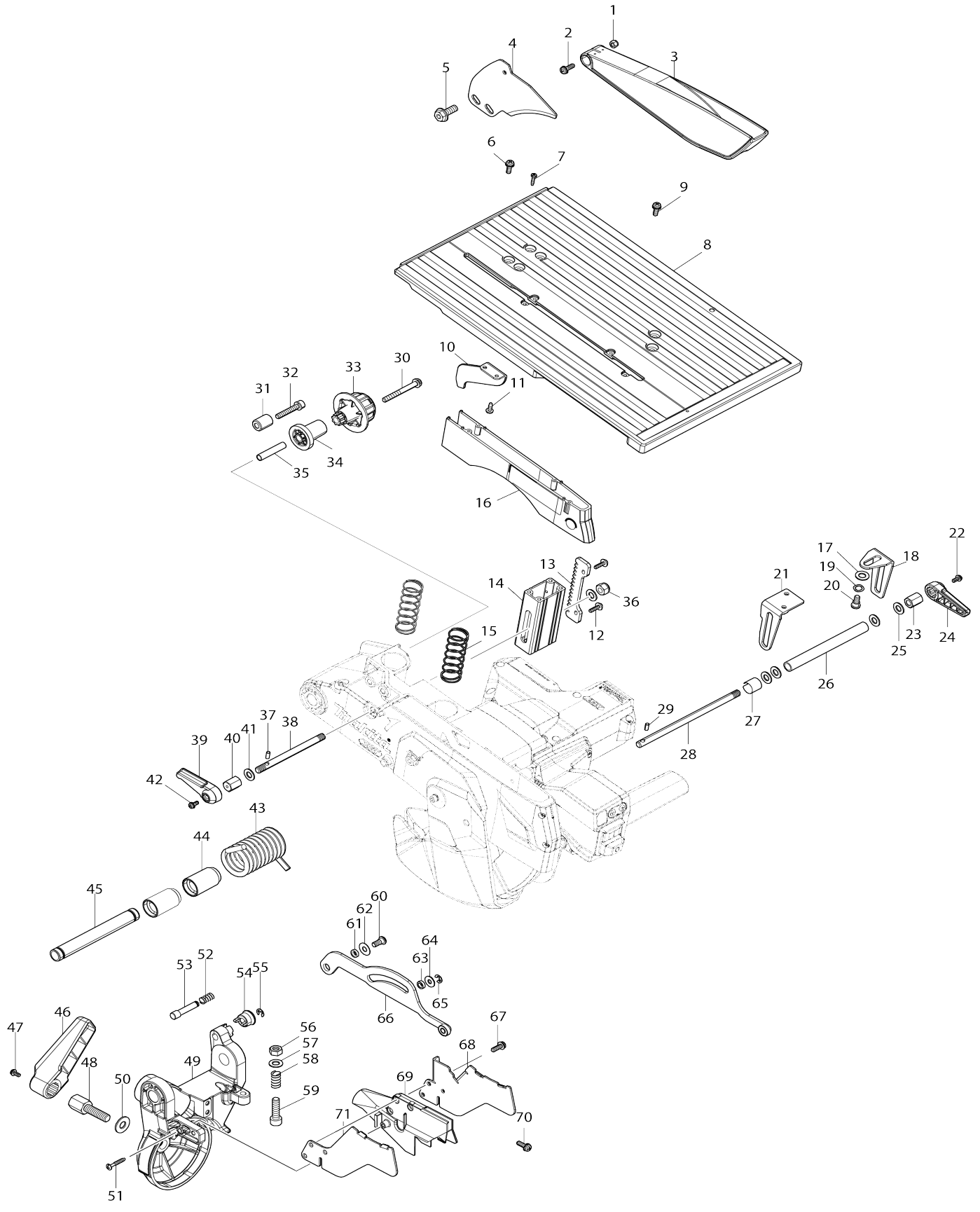
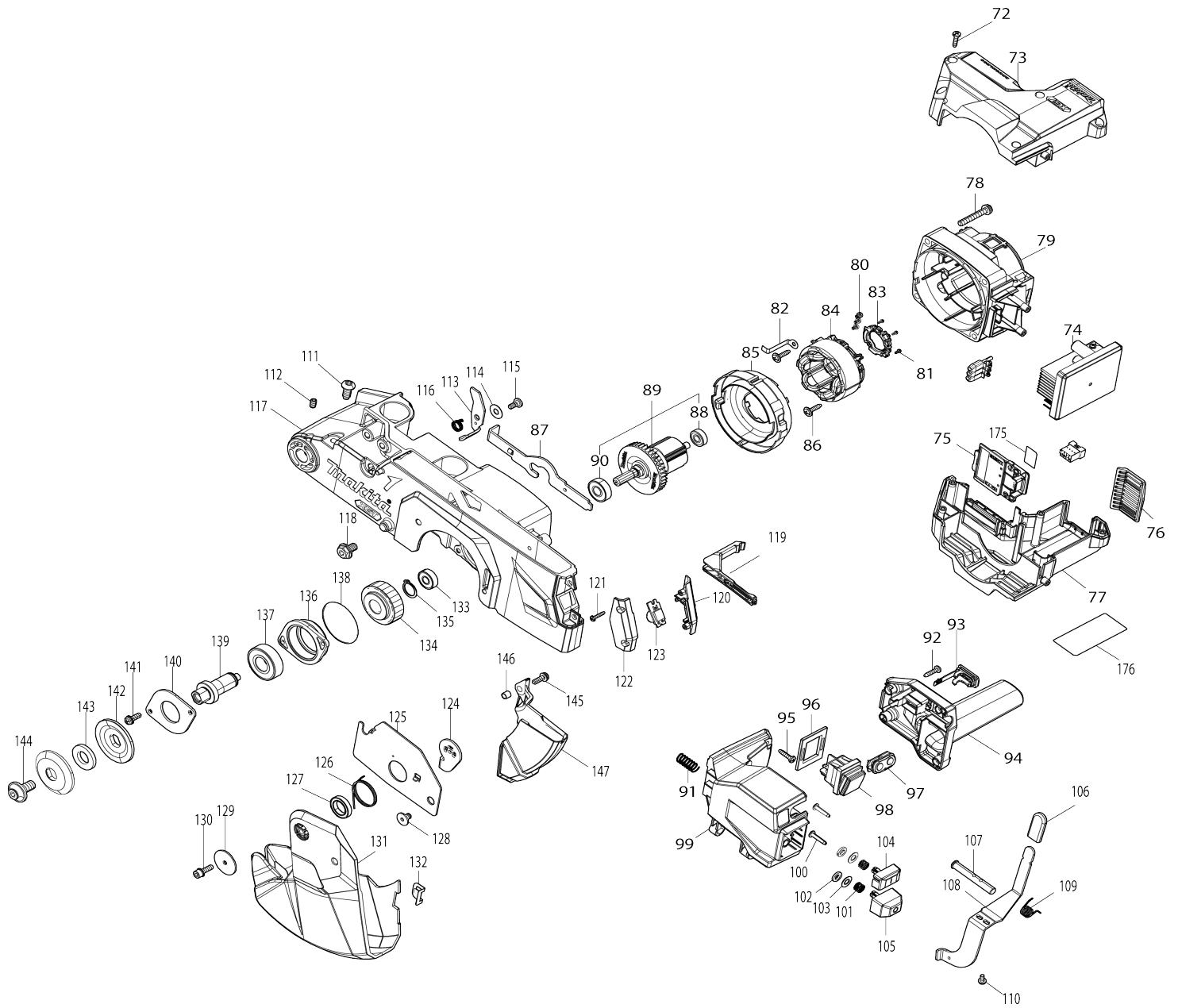


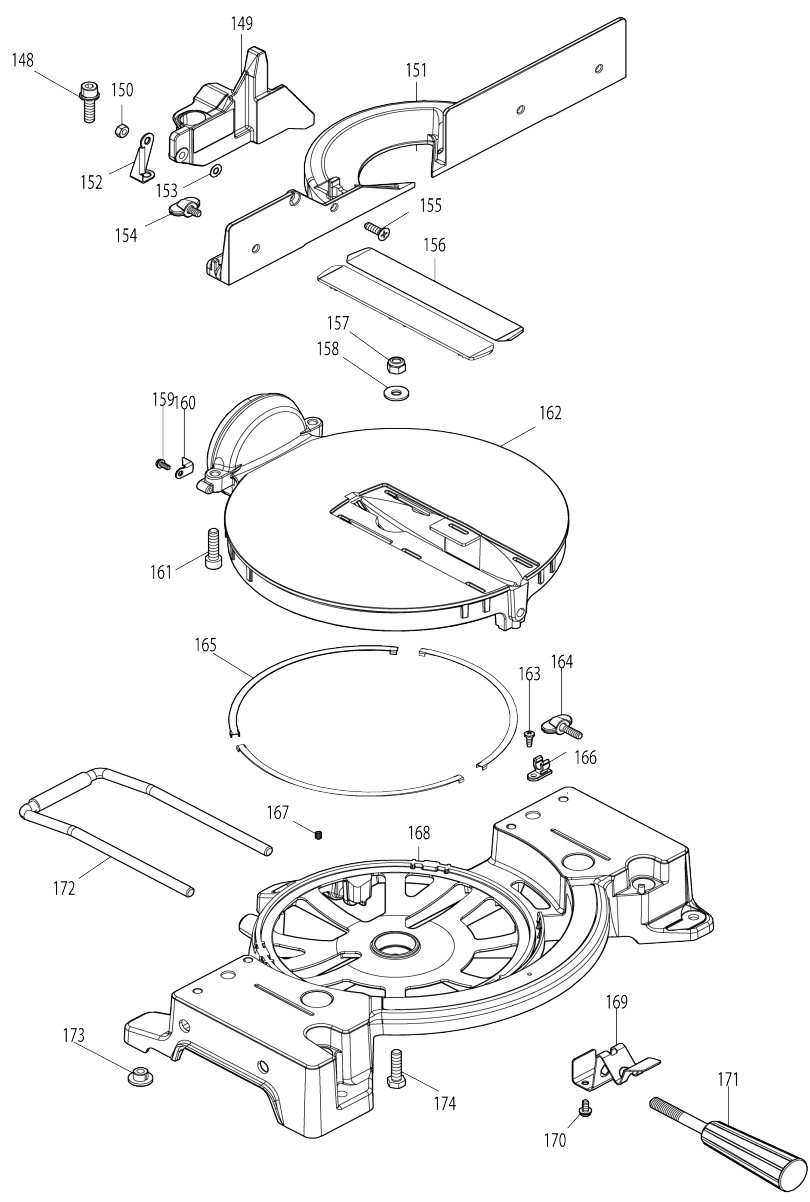
Model No.LH001G Cordless Table Top Miter Saw



Model No.LH001G Cordless Table Top Miter Saw



Model No.LH001G Cordless Table Top Miter Saw



Model No.LH001G Cordless Table Top Miter Saw

Item No.	Parts No.	Description	Interchangeability	Q'ty	New/Old	Note1	Note2
001	252103-8	Hex. lock nut M5-8		1			
002	911223-4	Pan head screw M5X16 WR		1			
003	1412K6-9	Cover complete		1			
C10	817283-3	Caution label		1			
C20	890408-4	Caution label		1			
004	345423-8	Riving knife		1			
005	266283-4	Hex. socket hex. head flange bolt M8X20		2			
006	911223-4	Pan head screw M5X16 WR		4			
007	266130-9	Binding head tapping screw 3X16		4			
008	1412K4-3	Table complete		1			
009	911223-4	Pan head screw M5X16 WR		2			
010	347E72-7	Guard plate		1			
011	266026-4	Binding head tapping screw 4X12		2			
012	911129-6	Pan head screw M4X16 WG		2			
013	347E59-9	Rack plate		1			
014	327G16-5	Table support		1			
015	232973-1	Compression spring 21		2			
016	1412K8-5	Upper guard complete		1			
C10	8024V4-4	Caution label		1			
C20	810063-6	Caution label		1			
017	941202-8	Flat washer 8		1			
018	347E60-4	Support plate B		1			
019	253948-7	Wave washer 8		1			
020	251267-5	Pan head shoulder screw M6		1			
021	162E33-4	Support plate A		1			
022	911113-1	Pan head screw M4X10 WR		1			
023	252362-4	Hex. nut M8-13		1			
024	271488-3	Lever 54		1			
025	941202-8	Flat washer 8		4			
026	331683-8	Pipe 9-126		1			
027	347E61-2	Coller		1			
028	327G14-9	Front lock bolt M8		1			
029	256226-4	Pin 4		1			
030	911378-5	Pan head screw M6X55 WR		1			
031	257A66-9	Sleeve 7		1			
032	922356-0	Hex. socket head bolt M6X35 W		1			
033	273043-7	Grip 42		1			
034	227C54-2	Spur gear 15		1			
035	257734-8	Sleeve 6		1			
036	252105-4	Hex. lock nut M8-13		1			
037	256226-4	Pin 4		1			
038	327G15-7	Rear lock bolt M8		1			
039	271488-3	Lever 54		1			
040	252362-4	Hex. nut M8-13		1			
041	941202-8	Flat washer 8		2			

042	911113-1	Pan head screw M4X10 WR	1		
043	232974-9	Torsion spring 28	1		
044	4134D6-5	Sleeve 17-40	2		
045	327G12-3	Rod 16	1		
046	416006-2	Lever 100	1		
047	911113-1	Pan head screw M4X10 WR	1		
048	265437-0	Hex. head bolt M10	1		
049	1412K2-7	Arm complete	1		
050	253024-7	Flat washer 10	1		
051	266374-1	Binding head tapping screw 4X2 5	1		
052	234316-3	Compression spring 7	1		
053	327702-6	Lock pin 7-9	1		
054	271428-1	Knob 20	1		
055	961018-5	Stop ring (EXT) E-5	1		
056	931401-0	Hex. nut M8	1		
057	941202-8	Flat washer 8	1		
058	231025-5	Compression spring 8	1		
059	265681-9	Hex. socket head bolt M8X30	1		
060	265984-1	Hex. socket button head bolt M6 X14	1		
061	257162-7	Ring 7	1		
062	253823-7	Flat washer 7	1		
063	257163-5	Ring 6	1		
064	253804-1	Flat washer 6	1		
065	961018-5	Stop ring (EXT) E-5	1		
066	1412K0-1	Link plate complete	1		
067	911223-4	Pan head screw M5X16 WR	3		
068	347E55-7	Rear guard R	1		
069	4134D7-3	Rear guard holder	1		
070	911223-4	Pan head screw M5X16 WR	2		
071	347E54-9	Rear guard L	1		
072	265995-6	Binding head tapping screw 4X1 8	5		
073	1831X8-4	BATTERY HOUSING SET	1		
C10	263005-3	Rubber pin 6	2		
073		INC. 77			
074	620S91-5	Controller	1		
075	632P65-6	Terminal unit	1		
076	4134E4-6	Inlet plate	1		
077	1831X8-4	BATTERY HOUSING SET	1		
C10	263005-3	Rubber pin 6	2		
077		INC. 73			
078	911363-8	Pan head screw M6X40 WR	4		
079	4134D2-3	Motor housing	1		
080	652031-1	Pan head screw M3X6	3		
081	652119-7	Pan head screw M2X6	3		
082	654954-9	Earth plate	1		
083	620P30-7	Sensor unit	1		
084	629C70-4	Stator	1		
085	4134D5-7	Baffle plate	1		
086	251530-6	Binding head tapping screw 4X1 8	2		

087	347E57-3	Shaft lock		1		
088	210169-4	Ball bearing 607LLB		1		
089	519932-5	ROTOR ASSY		1		
089		INC. 88,90				
090	210332-9	Ball bearing 6000DDW		1		
091	231297-2	Compression spring 9		1		
092	265995-6	Binding head tapping screw 4X18		4		
093	140G30-2	Cap complete		1		
C10	213A05-9	O-ring 16		1		
094	1412K5-1	Handle complete		1		
095	265995-6	Binding head tapping screw 4X18		4		
096	4134E3-8	Switch holder		1		
097	620T56-3	Switch circuit complete		1		
098	650082-8	Switch DRH-03S-DDK32-03R		1		
099	1412K9-3	Switch box complete		1		
100	4134E7-0	Pin		2		
101	231025-5	Compression spring 8		2		
102	443103-1	Felt ring 6		2		
103	253186-1	Flat washer 7		2		
104	4134E2-0	Switch button on		1		
105	418617-9	Switch button off		1		
106	421589-9	Cap		1		
107	324496-4	Lock pin 8		1		
108	347E58-1	Lock lever		1		
109	231674-8	Torsion spring 9		1		
110	911113-1	Pan head screw M4X10 WR		2		
111	265E73-2	Hex. socket button head bolt M8X19		1		
112	251961-9	Hex. socket set screw (flat point) M6X10		1		
113	346605-5	Cam plate		1		
114	253823-7	Flat washer 7		1		
115	265011-4	Binding head shoulder screw M5		1		
116	231684-5	Torsion spring 11		1		
117	137380-2	BLADE CASE ASSEMBLY		1		
C10	263005-3	Rubber pin 6		1		
118	265682-7	Hex. socket hex. head bolt M8X12		1		
119	4134E1-2	Lead cover		1		
120	4134E0-4	LED cover R		1		
121	266130-9	Binding head tapping screw 3X16		2		
122	4134D9-9	LED cover L		1		
123	620S92-3	LED circuit		1		
124	347E62-0	Center plate		1		
125	347E56-5	Center cover		1		
126	232311-7	Torsion spring 30		1		
127	210322-2	Ball bearing 6803DDW		1		
128	265985-9	Hex. socket shoulder head bolt M6X9		1		
129	267136-0	Flat washer 5		1		
130	922228-9	Hex. socket head bolt M5X18 WR		1		

131	4134E5-4	Safety cover		1		
132	347E63-8	Hook plate		1		
133	211031-6	Ball bearing 608LLB		1		
134	227C53-4	Helical gear 45		1		
135	961057-5	Retaining ring (EXT) S-17		1		
136	316821-3	Bearing box		1		
137	211278-2	Ball bearing 6203DDW		1		
138	213621-1	O-ring 46		1		
139	327G13-1	Spindle		1		
140	285685-5	Bearing retainer 64		1		
141	911223-4	Pan head screw M5X16 WR		2		
142	224432-9	Outer flange 53		2		
143	257262-3	Ring 16		1		
144	266755-9	Hex. socket head flange bolt M10X20		1		
145	911223-4	Pan head screw M5X16 WR		1		
146	257539-6	Sleeve 5		1		
147	4134D8-1	Front guard		1		
148	922453-2	Hex. socket head bolt M8X30 WR		4		
149	1412K7-7	Sub fence complete		1		
C10	810967-2	Caution label		1		
150	252268-6	Hex. nut M6		1		
151	312J61-1	Guide fence		1		
152	344476-4	Sub fence plate		1		
153	253715-0	Flat washer 6		1		
154	251887-5	Thumb screw M6X10		1		
155	265031-8	Countersunk head screw M6X20		1		
156	4134E6-2	Kerf board		2		
157	252105-4	Hex. lock nut M8-13		1		
158	253762-1	Flat washer 8		1		
159	911113-1	Pan head screw M4X10 WR		1		
160	344385-7	Pointer		1		
161	265681-9	Hex. socket head bolt M8X30		2		
162	312J60-3	Turn base		1		
163	266026-4	Binding head tapping screw 4X12		1		
164	265708-5	Thumb screw M6X20		1		
165	343799-7	Slide plate		3		
166	416536-3	Wrench holder		1		
167	266264-8	Hex. socket set screw (flat point) M5X6		1		
168	1412K1-9	Base complete		1		
C10	817283-3	Caution label		1		
169	344381-5	Knock spring		1		
170	911213-7	Pan head screw M5X12 WR		2		
171	273495-2	Grip 32		1		
172	162E48-1	Holder 90		1		
173	286212-1	Cap 20		4		
174	921452-1	Hex. head bolt M8X30		1		
175	8154B8-7	LH001G SERIAL NO. LABEL		1		
176	8154B4-5	LH001G NAME PLATE		1		
A01	122K39-0	Guide rule assembly		1		

A02	122K40-5	Blade cover assembly		1		
A03	345709-0	Set plate		1		
A04	251887-5	Thumb screw M6X10		1		
A05	122536-0	Vise assembly		1		
C10	251370-2	Pan head shoulder screw M5X15.5		1		
C20	251887-5	Thumb screw M6X10		1		
C30	253804-1	Flat washer 6		1		
C40	271286-5	Knob 40		1		
C50	316938-2	Vise arm		1		
C60	322313-2	Vise rod		1		
C70	343651-9	Vise plate		1		
A06	122852-0	Dust bag assembly		1		
C10	410602-8	Fastener		1		
A07	322312-4	Holder		1		
A08	416772-1	Push stick		1		
A09	E-27763	TCT SAW EFFI 260X45T		1		
A10	781044-6	Hex. wrench 6		1		
F02	198900-7	Wireless unit set		1		

Please state Parts No. when your order.

Print Date 22. 05. 2026