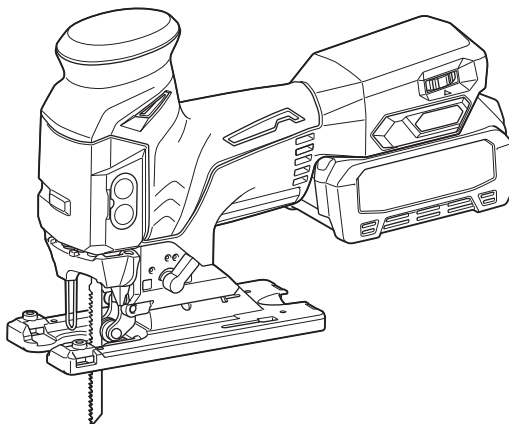




EN	Cordless Jig Saw	INSTRUCTION MANUAL	6
SL	Brezžična vbodna žaga	NAVODILA ZA UPORABO	14
SQ	Sharra pa kablo për punime në forma	MANUALI I PËRDORIMIT	22
BG	Акумулаторен прободен трион	РЪКОВОДСТВО ЗА ЕКСПЛОАТАЦИЯ	30
HR	Bežična ubodna pila	PRIRUČNIK S UPUTAMA	39
MK	Безжична убодна пила	УПАТСТВО ЗА УПОТРЕБА	47
SR	Бежична убодна тестера	УПУТСТВО ЗА УПОТРЕБУ	56
RO	Ferăstrău pendular cu acumulator	MANUAL DE INSTRUCȚIUNI	65
UK	Бездротовий лобзик	ІНСТРУКЦІЯ З ЕКСПЛУАТАЦІЇ	74
RU	Аккумуляторный Лобзик	РУКОВОДСТВО ПО ЭКСПЛУАТАЦИИ	83

JV001G



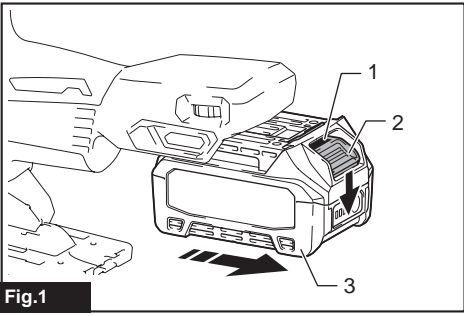


Fig.1

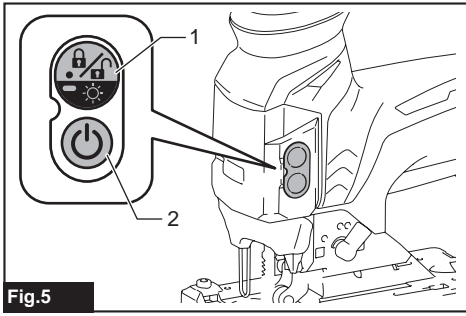


Fig.5

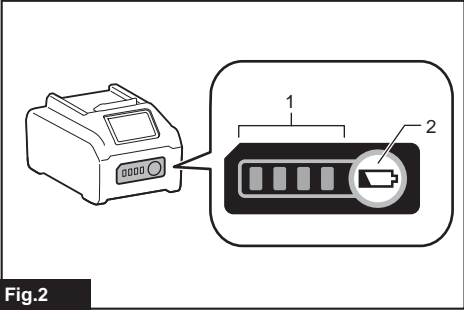


Fig.2

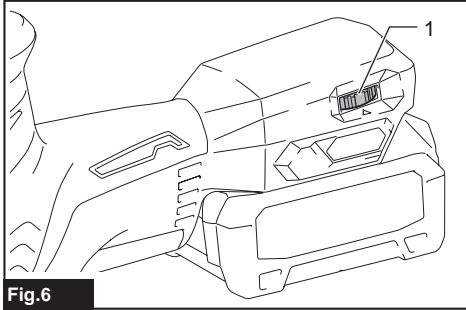


Fig.6

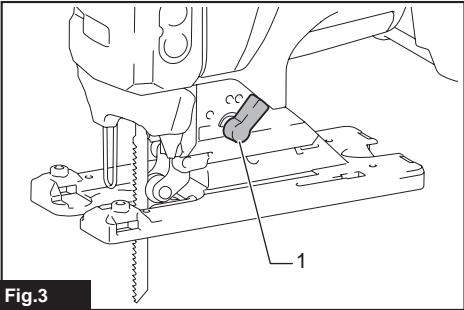


Fig.3

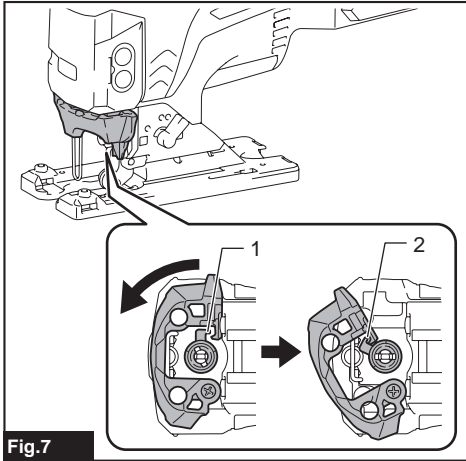


Fig.7

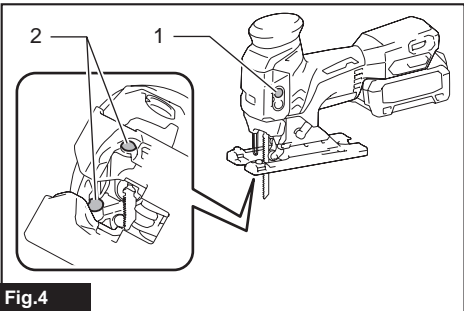


Fig.4

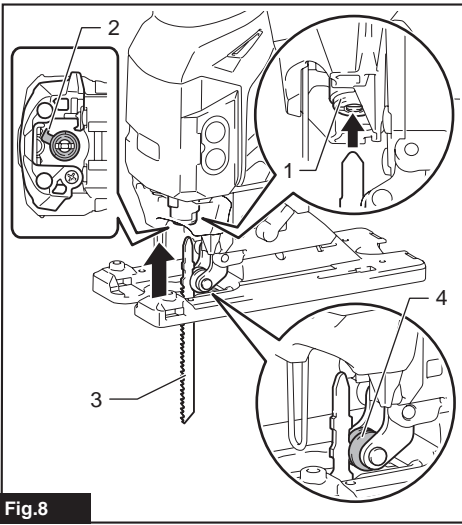


Fig.8

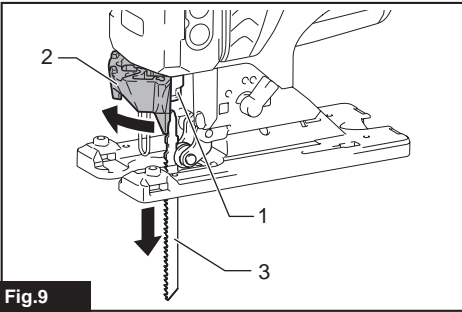


Fig.9

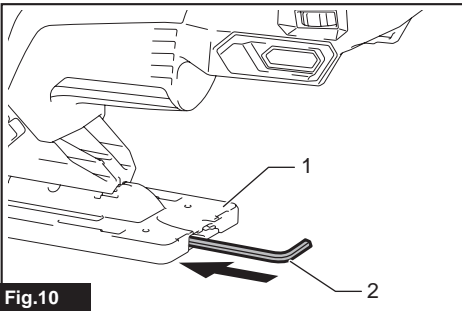


Fig.10

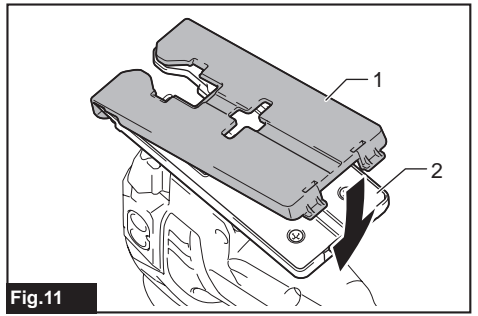


Fig.11

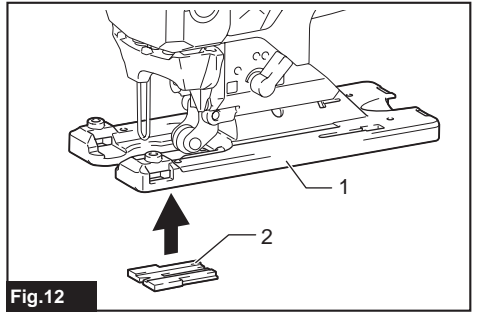


Fig.12

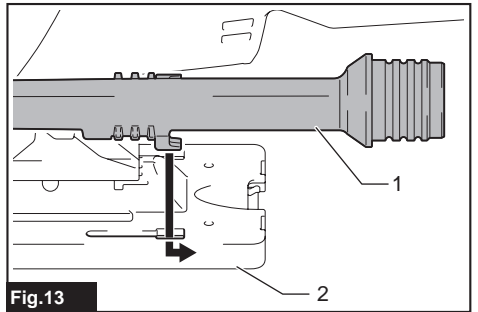


Fig.13

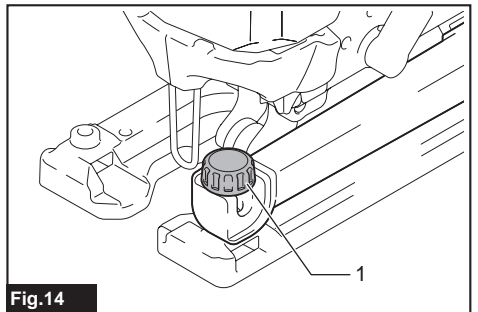


Fig.14

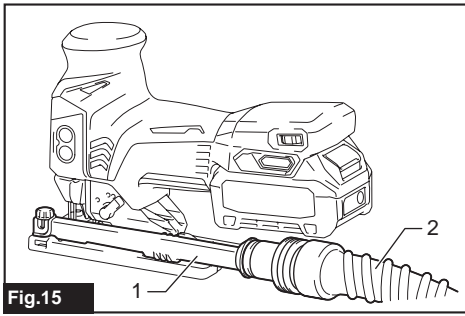


Fig.15

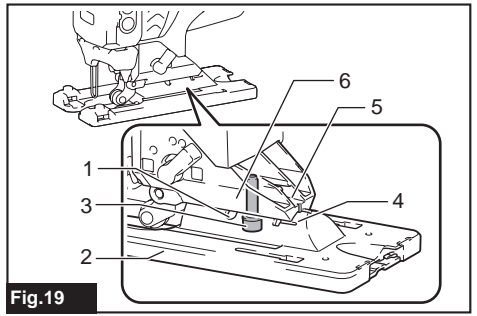


Fig.19

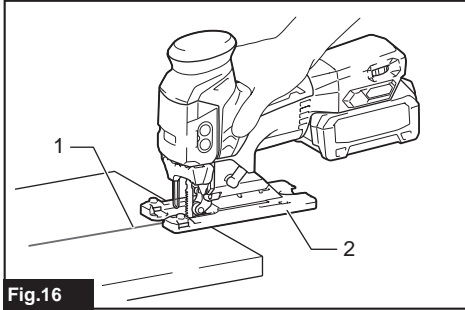


Fig.16

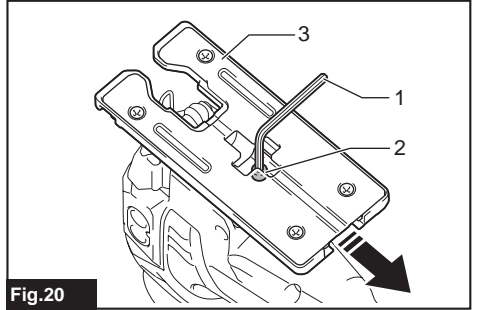


Fig.20

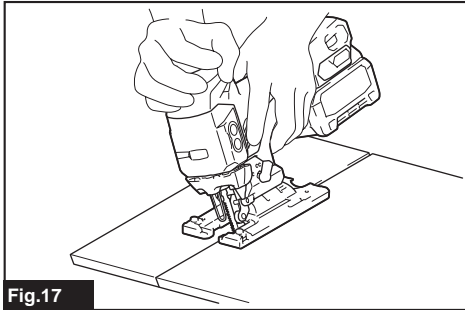


Fig.17

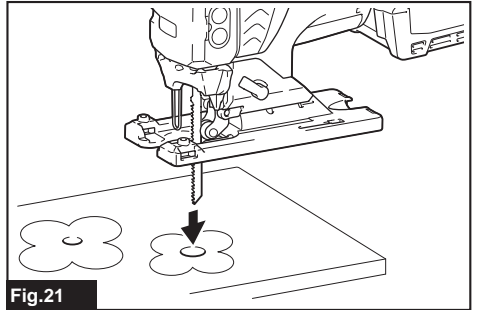


Fig.21

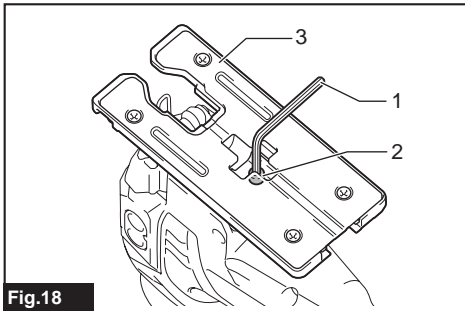


Fig.18

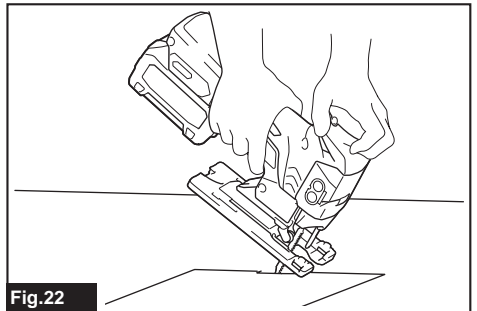


Fig.22

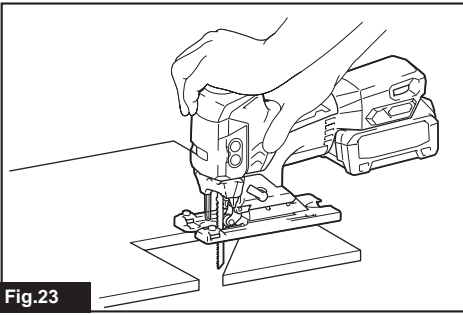


Fig. 23

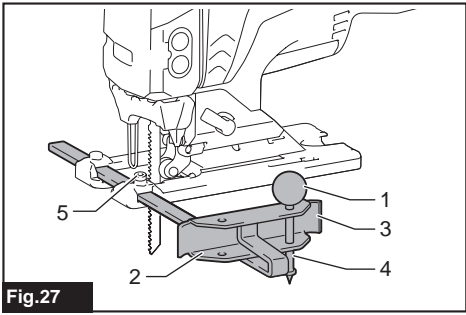


Fig. 27

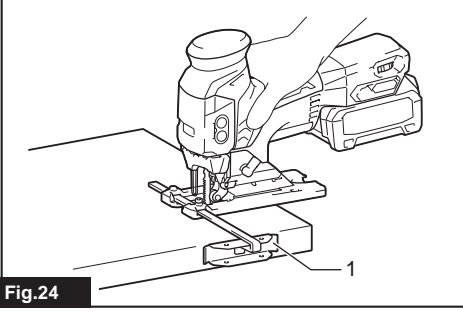


Fig. 24

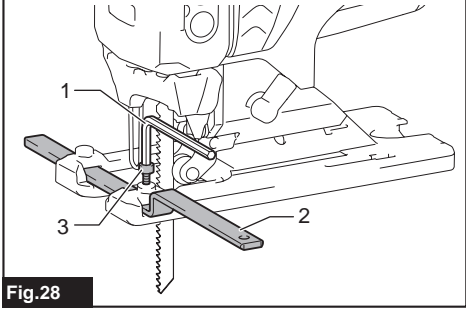


Fig. 28

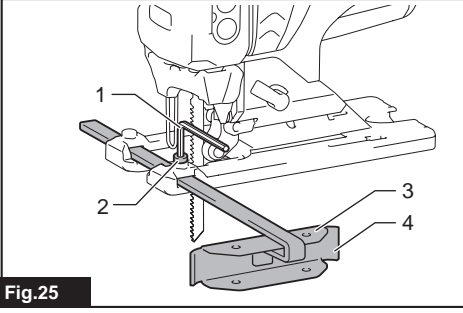


Fig. 25

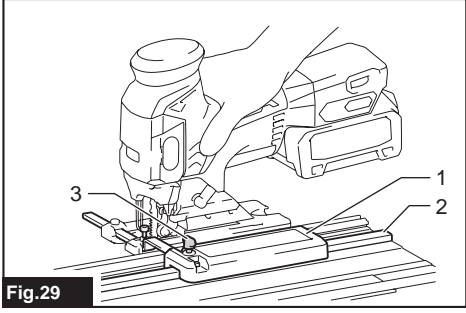


Fig. 29

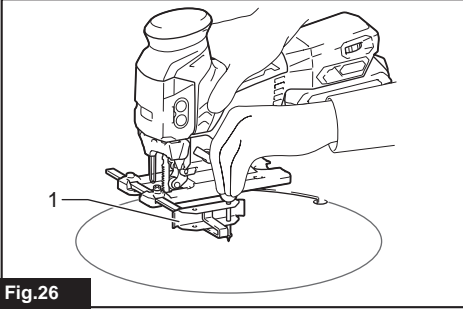


Fig. 26

SPECIFICATIONS

Model:		JV001G
Length of stroke		26 mm
Strokes per minute		800 - 3,500 min ⁻¹
Blade type		B type
Max. cutting capacities	Wood	135 mm
	Mild steel	10 mm
	Aluminum	20 mm
Overall length (with BL4025)		283 mm
Rated voltage		D.C. 36 V - 40 V max
Net weight		2.6 - 2.9 kg

- Due to our continuing program of research and development, the specifications herein are subject to change without notice.
- Specifications may differ from country to country.
- The weight may differ depending on the attachment(s), including the battery cartridge. The lightest and heaviest combinations, according to EPTA-Procedure 01/2014, are shown in the table.

Applicable battery cartridge and charger

Battery cartridge	BL4020 / BL4025 / BL4040
Charger	DC40RA / DC40RB / DC40RC

- Some of the battery cartridges and chargers listed above may not be available depending on your region of residence.

⚠ WARNING: Only use the battery cartridges and chargers listed above. Use of any other battery cartridges and chargers may cause injury and/or fire.

Intended use

The tool is intended for the sawing of wood, plastic and metal materials.

Noise

The typical A-weighted noise level determined according to EN62841-2-11:

Sound pressure level (L_{pA}) : 87 dB (A)

Sound power level (L_{WA}) : 98 dB (A)

Uncertainty (K) : 3 dB (A)

NOTE: The declared noise emission value(s) has been measured in accordance with a standard test method and may be used for comparing one tool with another.

NOTE: The declared noise emission value(s) may also be used in a preliminary assessment of exposure.

⚠ WARNING: Wear ear protection.

⚠ WARNING: The noise emission during actual use of the power tool can differ from the declared value(s) depending on the ways in which the tool is used especially what kind of workpiece is processed.

⚠ WARNING: Be sure to identify safety measures to protect the operator that are based on an estimation of exposure in the actual conditions of use (taking account of all parts of the operating cycle such as the times when the tool is switched off and when it is running idle in addition to the trigger time).

Vibration

The vibration total value (tri-axial vector sum) determined according to EN62841-2-11:

Work mode: cutting boards

Vibration emission ($a_{h,B}$) : 4.6 m/s²

Uncertainty (K) : 2.5 m/s²

Work mode: cutting sheet metal

Vibration emission ($a_{h,M}$) : 4.8 m/s²

Uncertainty (K) : 1.5 m/s²

NOTE: The declared vibration total value(s) has been measured in accordance with a standard test method and may be used for comparing one tool with another.

NOTE: The declared vibration total value(s) may also be used in a preliminary assessment of exposure.

⚠ WARNING: The vibration emission during actual use of the power tool can differ from the declared value(s) depending on the ways in which the tool is used especially what kind of workpiece is processed.

⚠ WARNING: Be sure to identify safety measures to protect the operator that are based on an estimation of exposure in the actual conditions of use (taking account of all parts of the operating cycle such as the times when the tool is switched off and when it is running idle in addition to the trigger time).

Declarations of Conformity

For European countries only

The Declarations of conformity are included in Annex A to this instruction manual.

SAFETY WARNINGS

General power tool safety warnings

⚠ WARNING Read all safety warnings, instructions, illustrations and specifications provided with this power tool. Failure to follow all instructions listed below may result in electric shock, fire and/or serious injury.

Save all warnings and instructions for future reference.

The term "power tool" in the warnings refers to your mains-operated (corded) power tool or battery-operated (cordless) power tool.

Cordless jig saw safety warnings

1. Hold the power tool by insulated gripping surfaces, when performing an operation where the cutting accessory may contact hidden wiring. Cutting accessory contacting a "live" wire may make exposed metal parts of the power tool "live" and could give the operator an electric shock.
2. Use clamps or another practical way to secure and support the workpiece to a stable platform. Holding the workpiece by hand or against your body leaves it unstable and may lead to loss of control.
3. Always use safety glasses or goggles. Ordinary eye or sun glasses are NOT safety glasses.
4. Avoid cutting nails. Inspect workpiece for any nails and remove them before operation.
5. Do not cut oversize workpiece.

6. Check for the proper clearance around the workpiece before cutting so that the jig saw blade will not strike the floor, workbench, etc.
7. Hold the tool firmly.
8. Make sure the jig saw blade is not contacting the workpiece before the switch is turned on.
9. Keep hands away from moving parts.
10. Do not leave the tool running. Operate the tool only when hand-held.
11. Always switch off and wait for the jig saw blade to come to a complete stop before removing the jig saw blade from the workpiece.
12. Do not touch the jig saw blade or the workpiece immediately after operation; they may be extremely hot and could burn your skin.
13. Do not operate the tool at no-load unnecessarily.
14. Some material contains chemicals which may be toxic. Take caution to prevent dust inhalation and skin contact. Follow material supplier safety data.
15. Always use the correct dust mask/respirator for the material and application you are working with.

SAVE THESE INSTRUCTIONS.

⚠ WARNING: DO NOT let comfort or familiarity with product (gained from repeated use) replace strict adherence to safety rules for the subject product. MISUSE or failure to follow the safety rules stated in this instruction manual may cause serious personal injury.

Important safety instructions for battery cartridge

1. Before using battery cartridge, read all instructions and cautionary markings on (1) battery charger, (2) battery, and (3) product using battery.
2. Do not disassemble or tamper with the battery cartridge. It may result in a fire, excessive heat, or explosion.
3. If operating time has become excessively shorter, stop operating immediately. It may result in a risk of overheating, possible burns and even an explosion.
4. If electrolyte gets into your eyes, rinse them out with clear water and seek medical attention right away. It may result in loss of your eyesight.
5. Do not short the battery cartridge:
 - (1) Do not touch the terminals with any conductive material.
 - (2) Avoid storing battery cartridge in a container with other metal objects such as nails, coins, etc.
 - (3) Do not expose battery cartridge to water or rain.A battery short can cause a large current flow, overheating, possible burns and even a breakdown.

6. **Do not store and use the tool and battery cartridge in locations where the temperature may reach or exceed 50 °C (122 °F).**
7. **Do not incinerate the battery cartridge even if it is severely damaged or is completely worn out. The battery cartridge can explode in a fire.**
8. **Do not nail, cut, crush, throw, drop the battery cartridge, or hit against a hard object to the battery cartridge.** Such conduct may result in a fire, excessive heat, or explosion.
9. **Do not use a damaged battery.**
10. **The contained lithium-ion batteries are subject to the Dangerous Goods Legislation requirements.**
For commercial transports e.g. by third parties, forwarding agents, special requirement on packaging and labeling must be observed.
For preparation of the item being shipped, consulting an expert for hazardous material is required. Please also observe possibly more detailed national regulations.
Tape or mask off open contacts and pack up the battery in such a manner that it cannot move around in the packaging.
11. **When disposing the battery cartridge, remove it from the tool and dispose of it in a safe place. Follow your local regulations relating to disposal of battery.**
12. **Use the batteries only with the products specified by Makita.** Installing the batteries to non-compliant products may result in a fire, excessive heat, explosion, or leak of electrolyte.
13. **If the tool is not used for a long period of time, the battery must be removed from the tool.**
14. **During and after use, the battery cartridge may take on heat which can cause burns or low temperature burns. Pay attention to the handling of hot battery cartridges.**
15. **Do not touch the terminal of the tool immediately after use as it may get hot enough to cause burns.**
16. **Do not allow chips, dust, or soil stuck into the terminals, holes, and grooves of the battery cartridge.** It may cause heating, catching fire, burst and malfunction of the tool or battery cartridge, resulting in burns or personal injury.
17. **Unless the tool supports the use near high-voltage electrical power lines, do not use the battery cartridge near a high-voltage electrical power lines.** It may result in a malfunction or breakdown of the tool or battery cartridge.
18. **Keep the battery away from children.**

SAVE THESE INSTRUCTIONS.

CAUTION: Only use genuine Makita batteries. Use of non-genuine Makita batteries, or batteries that have been altered, may result in the battery bursting causing fires, personal injury and damage. It will also void the Makita warranty for the Makita tool and charger.

Tips for maintaining maximum battery life

1. **Charge the battery cartridge before completely discharged. Always stop tool operation and charge the battery cartridge when you notice less tool power.**
2. **Never recharge a fully charged battery cartridge. Overcharging shortens the battery service life.**
3. **Charge the battery cartridge with room temperature at 10 °C - 40 °C (50 °F - 104 °F). Let a hot battery cartridge cool down before charging it.**
4. **When not using the battery cartridge, remove it from the tool or the charger.**
5. **Charge the battery cartridge if you do not use it for a long period (more than six months).**

FUNCTIONAL DESCRIPTION

CAUTION: Always be sure that the tool is switched off and the battery cartridge is removed before adjusting or checking function on the tool.

Installing or removing battery cartridge

CAUTION: Always switch off the tool before installing or removing of the battery cartridge.

CAUTION: Hold the tool and the battery cartridge firmly when installing or removing battery cartridge. Failure to hold the tool and the battery cartridge firmly may cause them to slip off your hands and result in damage to the tool and battery cartridge and a personal injury.

► Fig.1: 1. Red indicator 2. Button 3. Battery cartridge

To remove the battery cartridge, slide it from the tool while sliding the button on the front of the cartridge.

To install the battery cartridge, align the tongue on the battery cartridge with the groove in the housing and slip it into place. Insert it all the way until it locks in place with a little click. If you can see the red indicator as shown in the figure, it is not locked completely.

CAUTION: Always install the battery cartridge fully until the red indicator cannot be seen. If not, it may accidentally fall out of the tool, causing injury to you or someone around you.

CAUTION: Do not install the battery cartridge forcibly. If the cartridge does not slide in easily, it is not being inserted correctly.

Indicating the remaining battery capacity

Press the check button on the battery cartridge to indicate the remaining battery capacity. The indicator lamps light up for a few seconds.

► **Fig.2:** 1. Indicator lamps 2. Check button

Indicator lamps			Remaining capacity
Lighted	Off	Blinking	
■	□	▧	75% to 100%
■ ■ ■ ■			
■ ■ ■	□		50% to 75%
■ ■	□ □		25% to 50%
■	□ □ □ □		0% to 25%
▧	□ □ □ □		Charge the battery.
■ ■ □ □	□ □	■ ■	The battery may have malfunctioned.
□ □	□ □	■ ■	

NOTE: Depending on the conditions of use and the ambient temperature, the indication may differ slightly from the actual capacity.

NOTE: The first (far left) indicator lamp will blink when the battery protection system works.

Tool / battery protection system

The tool is equipped with a tool/battery protection system. This system automatically cuts off power to the motor to extend tool and battery life. The tool will automatically stop during operation if the tool or battery is placed under one of the following conditions:

Overload protection

When the battery is operated in a manner that causes it to draw an abnormally high current, the tool automatically stops without any indication. In this situation, turn the tool off and stop the application that caused the tool to become overloaded. Then turn the tool on to restart.

Overheat protection

When the tool or battery is overheated, the tool stops automatically and the lamp blinks. In this case, let the tool and battery cool before turning the tool on again.

Overdischarge protection

When the battery capacity is not enough, the tool stops automatically. In this case, remove the battery from the tool and charge the battery.

Protections against other causes

Protection system is also designed for other causes that could damage the tool and allows the tool to stop automatically. Take all the following steps to clear the causes, when the tool has been brought to a temporary halt or stop in operation.

1. Turn the tool off, and then turn it on again to restart.
2. Charge the battery(ies) or replace it/them with recharged battery(ies).
3. Let the tool and battery(ies) cool down.

If no improvement can be found by restoring protection system, then contact your local Makita Service Center.

Selecting the cutting action

This tool can be operated with an orbital or a straight line (up and down) cutting action. The orbital cutting action thrusts the jig saw blade forward and increases cutting speed.

► **Fig.3:** 1. Cutting action changing lever

To change the cutting action, turn the cutting action changing lever to the desired cutting action position. Refer to the table to select the appropriate cutting action.

Position	Cutting action	Applications
0	Straight line cutting action	For cutting mild steel, stainless steel and plastics.
		For clean cuts in wood and plywood.
I	Small orbital cutting action	For cutting mild steel, aluminum and hard wood.
II	Medium orbital cutting action	For cutting wood and plywood.
		For fast cutting in aluminum and mild steel.
III	Large orbital cutting action	For fast cutting in wood and plywood.

Lighting up the front lamp

CAUTION: Do not look in the light or see the source of light directly.

Press the lock switch to turn on the lamp. Press the lock switch again to turn off the lamp.

► **Fig.4:** 1. Lock switch 2. Lamp

NOTICE: When the tool is overheated, the lamp blinks. Cool down the tool fully before operating the tool again.

NOTE: Use a dry cloth to wipe the dirt off the lens of the lamp. Be careful not to scratch the lens of lamp, or it may lower the illumination.

Switch action

To turn on the tool, press the lock switch. The tool turns into the standby mode. To start the tool, press the ON/standby switch in the standby mode. To stop the tool, press the ON/standby switch again. The tool turns into the standby mode. To turn off the tool, press the lock switch in the standby mode.

► **Fig.5:** 1. Lock switch 2. ON/standby switch

NOTE: If the tool is left for 10 seconds without any operation in the standby mode, the tool automatically turns off and the lamp goes off.

NOTE: You can also stop and turn off the tool by pressing the lock switch while the tool is operating.

To decrease the brightness of the lamp, press and hold the lock switch when turning into the standby mode. About 1 second after you start pressing the lock switch, the brightness of the lamp will start to decrease, so release the lock switch when you reach the desired brightness. It turns the tool into standby mode, too. About 3 seconds after you start pressing the lock switch, the brightness of the lamp will be minimized and the brightness will not change after that.

NOTE: The brightness of the lamp cannot be adjusted while the tool is in standby mode. Turn off the tool to decrease the brightness of the lamp.

NOTE: There is no memory function for the brightness of the lamp. If you turn the lamp off and then turn it on, the brightness of the lamp will be maximized each time.

Speed adjusting dial

► **Fig.6:** 1. Speed adjusting dial

The tool speed can be adjusted by turning the speed adjusting dial. You can get the highest speed at 6 and the lowest speed at 1.

Refer to the table to select the proper speed for the workpiece to be cut. However, the appropriate speed may differ with the type or thickness of the workpiece. In general, higher speeds will allow you to cut workpieces faster but the service life of the jig saw blade will be reduced.

Workpiece	Number
Wood	4 - 6
Mild steel	3 - 6
Stainless steel	3 - 4
Aluminum	3 - 6
Plastics	1 - 4

NOTICE: The speed adjusting dial can be turned only as far as 6 and back to 1. Do not force it past 6 or 1, or the speed adjusting function may no longer work.

Electronic function

The tool is equipped with the electronic functions for easy operation.

Soft start

The soft-start function minimizes start-up shock, and makes the tool start smoothly.

Constant speed control

Electronic speed control for obtaining constant speed. Possible to get fine finish, because the rotating speed is kept constant even under load condition.

Soft no-load rotation

When the speed adjusting dial is set to "3" or higher, the tool automatically reduces the speed at no-load to reduce the vibration and align the jig saw blade with the cutting line easily. Once the tool starts cutting the workpiece, the tool speed increase and reach the pre-set speed.

NOTE: When the temperature is low, this function may not be available. This function also may not be available depending on the type of the material.

NOTE: If the speed does not decrease after cutting the workpiece, turn off the tool and then turn on it again.

Disabling or enabling the soft no-load rotation function

To disable or enable the soft no-load rotation function, follow the steps below.

1. Make sure that the tool is turned off.
2. Set the speed adjusting dial to "1".
3. Press the lock switch to turn on the tool.
4. Turn the speed adjusting dial to "6", and then set it back to "1".

The lamp blinks twice when the soft no-load rotation function is disabled or enabled. To enable or disable this function again, perform the same procedure again.

NOTE: If the soft no-load rotation function is disabled, the lamp blinks twice when the tool is turned on.

NOTE: You can also disable or enable the soft no-load rotation function by changing the speed adjusting dial to "6" - "1" - "6".

Electric brake

This tool is equipped with an electric brake. If the tool consistently fails to quickly stop after the switch trigger is released, have the tool serviced at a Makita service center.

ASSEMBLY

⚠ CAUTION: Always be sure that the tool is switched off and the battery cartridge is removed before carrying out any work on the tool.

Installing or removing jig saw blade

⚠ CAUTION: Always clean out all chips or foreign matter adhering to the jig saw blade and/or blade holder. Failure to do so may cause insufficient tightening of the jig saw blade, resulting in a serious personal injury.

⚠ CAUTION: Do not touch the jig saw blade or the workpiece immediately after operation. They may be extremely hot and could burn your skin.

⚠ CAUTION: Always secure the jig saw blade firmly. Insufficient tightening of the jig saw blade may cause the blade breakage or serious personal injury.

⚠ CAUTION: When you remove the jig saw blade, be careful not to hurt your fingers with the top of the jig saw blade or the tips of workpiece.

Before installing the jig saw blade, make sure that the jig saw blade clamp lever is in the released position. To install the jig saw blade, insert the jig saw blade (teeth facing forward) into the jig saw blade holder until it latches. The jig saw blade clamp lever moves to the fixed position by itself and the jig saw blade is locked. Make sure that the back edge of the jig saw blade fits into the roller. Pull the jig saw blade lightly to make sure that the jig saw blade does not fall off during operation.

► **Fig.7:** 1. Jig saw blade clamp lever (fixed position)
2. Jig saw blade clamp lever (released position)

► **Fig.8:** 1. Jig saw blade holder 2. Jig saw blade clamp lever (released position) 3. Jig saw blade 4. Roller

⚠ CAUTION: Do not open the tool opener excessively, or it may cause tool damage.

To remove the jig saw blade, open the tool opener forward as far as it will go. This allows the jig saw blade to be released.

► **Fig.9:** 1. Jig saw blade holder 2. Tool opener 3. Jig saw blade

NOTE: In case that it is difficult to remove the jig saw blade:

Turn the cutting action changing lever to the position "III" and slightly switch on the tool several times so that the jig saw blade holder moves to the bottom.

Make sure the jig saw blade clamp lever is in the fixed position when switch on the tool.

Remove the battery cartridge from the tool before installing or removing the jig saw blade.

NOTE: Occasionally lubricate the roller.

Hex wrench storage

When not in use, store the hex wrench as shown in the figure to keep it from being lost.

► **Fig.10:** 1. Base 2. Hex wrench

Cover plate

Use the cover plate when cutting decorative veneers, plastics, etc. It protects sensitive or delicate surfaces from damage. Fit it on the bottom of the tool base.

► **Fig.11:** 1. Cover plate 2. Base

Anti-splintering device

⚠ CAUTION: The anti-splintering device cannot be used when making bevel cuts.

For splinter-free cuts, the anti-splintering device can be used. To install the anti-splintering device, move the tool base all the way forward and fit it from the bottom of tool base.

When you use the cover plate, install the anti-splintering device onto the cover plate.

► **Fig.12:** 1. Base 2. Anti-splintering device

Dust extraction

Optional accessory

The dust nozzle is recommended to perform clean cutting operations.

To attach the dust nozzle on the tool, insert the hook of dust nozzle into the hole in the base.

► **Fig.13:** 1. Dust nozzle 2. Base

To secure the dust nozzle, tighten the clamp screw at the front of the dust nozzle. The dust nozzle can be installed on either left or right side of the base.

► **Fig.14:** 1. Clamp screw

Then connect a Makita vacuum cleaner to the dust nozzle.

► **Fig.15:** 1. Dust nozzle 2. Hose for vacuum cleaner

OPERATION

⚠ CAUTION: Always hold the base flush with the workpiece. Failure to do so may cause jig saw blade breakage, resulting in a serious injury.

⚠ CAUTION: Advance the tool very slowly when cutting curves or scrolling. Forcing the tool may cause a slanted cutting surface and jig saw blade breakage.

Turn the tool on without the jig saw blade making any contact and wait until the jig saw blade attains full speed. Then rest the base flat on the workpiece and gently move the tool forward along the previously marked cutting line.

► **Fig.16:** 1. Cutting line 2. Base

Bevel cutting

⚠ CAUTION: Always be sure that the tool is switched off and the battery cartridge is removed before tilting the base.

With the base tilted, you can make bevel cuts at any angle between 0° and 45° (left or right).

► **Fig.17**

To tilt the base, loosen the bolt on the bottom of the base with the hex wrench. Move the base so that the bolt is positioned in the center of the bevel slot in the base.

► **Fig.18:** 1. Hex wrench 2. Bolt 3. Base

Tilt the base until the desired bevel angle is obtained. The V-notch of the gear housing indicates the bevel angle by graduations. Then tighten the bolt firmly to secure the base.

► **Fig.19:** 1. Bevel slot 2. Base 3. Bolt 4. Graduations 5. V-notch 6. Gear housing

Front flush cuts

Loosen the bolt on the bottom of the base with the hex wrench and slide the base all the way back. Then tighten the bolt to secure the base.

► **Fig.20:** 1. Hex wrench 2. Bolt 3. Base

Cutouts

Cutouts can be made with either of two methods: "Boring a starting hole" or "Plunge cutting".

Boring a starting hole

For internal cutouts without a lead-in cut from an edge, pre-drill a starting hole 12 mm or more in diameter. Insert the jig saw blade into this hole to start your cut.

► **Fig.21**

Plunge cutting

You need not bore a starting hole or make a lead-in cut if you carefully do as follows.

► **Fig.22**

1. Tilt the tool up on the front edge of the base with the jig saw blade point positioned just above the workpiece surface.
2. Apply pressure to the tool so that the front edge of the base will not move when you switch on the tool and gently lower the back end of the tool slowly.
3. As the jig saw blade pierces the workpiece, slowly lower the base of the tool down onto the workpiece surface.
4. Complete the cut in the normal manner.

Finishing edges

To trim edges or make dimensional adjustments, run the jig saw blade lightly along the cut edges.

► **Fig.23**

Metal cutting

Always use a suitable coolant (cutting oil) when cutting metal. Failure to do so will cause significant jig saw blade wear. The underside of the workpiece can be greased instead of using a coolant.

Rip fence

Optional accessory

⚠ CAUTION: Always be sure that the tool is switched off and the battery cartridge is removed before installing or removing accessories.

Straight cuts

When repeatedly cutting widths of 160 mm or less, use of the rip fence will assure fast, clean, straight cuts.

► **Fig.24:** 1. Rip fence (Guide rule)

To install, insert the rip fence into the rectangular hole on the side of the base with the fence guide facing down. Slide the rip fence to the desired cutting width position, then tighten the bolt to secure it.

► **Fig.25:** 1. Hex wrench 2. Bolt 3. Fence guide 4. Rip fence (Guide rule)

Circular cuts

When cutting circles or arcs of 170 mm or less in radius, install the rip fence as follows.

► **Fig.26:** 1. Rip fence (Guide rule)

⚠ CAUTION: Do not touch the tip of the circular guide pin. The sharp tip of the circular guide pin can cause injury.

1. Insert the rip fence into the rectangular hole on the side of the base with the fence guide facing up.
2. Insert the circular guide pin through either of the two holes on the fence guide. Screw the threaded knob onto the circular guide pin to secure the circular guide pin.
► **Fig.27:** 1. Threaded knob 2. Fence guide 3. Rip fence (Guide rule) 4. Circular guide pin 5. Bolt
3. Slide the rip fence to the desired cutting radius, and tighten the bolt to secure it in place.

NOTE: Always use jig saw blades No. B-17, B-18, B-26 or B-27 when cutting circles or arcs.

Guide rail adapter set

Optional accessory

When cutting parallel and uniform width or cutting straight, the use of the guide rail and the guide rail adapter will assure the production of fast and clean cuts. To install the guide rail adapter, insert the rule bar into the square hole of the base as far as it goes. Secure the bolt with the hex wrench securely.

► **Fig.28:** 1. Hex wrench 2. Rule bar 3. Bolt

Insert the rule bar into the square hole of the guide rail adapter, and secure the screw firmly. Place the guide rail adapter on the guide rail.

► **Fig.29:** 1. Guide rail adapter 2. Guide rail 3. Screw

NOTICE: Always use jig saw blades No. B-8, B-13, B-16, B-17 or 58 when using the guide rail and the guide rail adapter.

MAINTENANCE

⚠ CAUTION: Always be sure that the tool is switched off and the battery cartridge is removed before attempting to perform inspection or maintenance.

NOTICE: Never use gasoline, benzine, thinner, alcohol or the like. Discoloration, deformation or cracks may result.

To maintain product SAFETY and RELIABILITY, repairs, any other maintenance or adjustment should be performed by Makita Authorized or Factory Service Centers, always using Makita replacement parts.

OPTIONAL ACCESSORIES

⚠ CAUTION: These accessories or attachments are recommended for use with your Makita tool specified in this manual. The use of any other accessories or attachments might present a risk of injury to persons. Only use accessory or attachment for its stated purpose.

If you need any assistance for more details regarding these accessories, ask your local Makita Service Center.

- Jig saw blades
- Hex wrench 4
- Rip fence (guide rule) set
- Guide rail adapter set
- Guide rail set
- Anti-splintering device
- Cover plate
- Dust nozzle assy
- Makita genuine battery and charger

NOTE: Some items in the list may be included in the tool package as standard accessories. They may differ from country to country.

TEHNIČNI PODATKI

Model:		JV001G
Dolžina hoda		26 mm
Hodi na minuto		800 – 3.500 min ⁻¹
Tip rezila		Tip B
Največje zmogljivosti rezanja	Les	135 mm
	Mehko jeklo	10 mm
	Aluminij	20 mm
Celotna dolžina (z BL4025)		283 mm
Nazivna napetost		D.C. 36 V – 40 V
Neto teža		2,6 – 2,9 kg

- Ker nenehno opravljamo raziskave in razvijamo svoje izdelke, se lahko tehnični podatki v tem dokumentu spremenijo brez obvestila.
- Tehnični podatki se lahko razlikujejo od države do države.
- Teža se lahko razlikuje glede na priključke, vključno z akumulatorsko baterijo. Najlažja in najtežja kombinacija v skladu s postopkom EPTA 01/2014 sta prikazani v preglednici.

Uporabna akumulatorska baterija in polnilnik

Baterijski vložek	BL4020 / BL4025 / BL4040
Polnilnik	DC40RA / DC40RB / DC40RC

- Nekatere zgoraj navedene akumulatorske baterije in polnilniki morda v vaši državi prebivališča niso na voljo.

⚠ OPOZORILO: Uporabljajte le zgoraj navedene akumulatorske baterije in polnilnike. Uporaba drugih akumulatorskih baterij in polnilnikov lahko povzroči telesne poškodbe in/ali požar.

Predvidena uporaba

Orodje je namenjeno za žaganje lesa, plastike in kovinskih materialov.

Hrup

Običajna A-ovrednotena raven hrupa v skladu z EN62841-2-11:

Raven zvočnega tlaka (L_{pA}): 87 dB (A)

Raven zvočne moči (L_{WA}): 98 dB (A)

Odstopanje (K): 3 dB (A)

OPOMBA: Navedene vrednosti oddajanja hrupa so bile izmerjene v skladu s standardnimi metodami testiranja in se lahko uporabljajo za primerjavo orodij.

OPOMBA: Navedene vrednosti oddajanja hrupa se lahko uporabljajo tudi pri predhodni oceni izpostavljenosti.

⚠ OPOZORILO: Uporabljajte zaščito za sluh.

⚠ OPOZORILO: Oddajanje hrupa med dejansko uporabo električnega orodja se lahko razlikuje od navedenih vrednosti, odvisno od načina uporabe orodja in predvsem vrste obdelovanca.

⚠ OPOZORILO: Upravljevec mora za lastno zaščito poznati varnostne ukrepe, ki temeljijo na oceni izpostavljenosti v dejanskih pogojih uporabe (poleg časa proženja je treba upoštevati celoten delovni cikel, vključno s časom, ko je orodje izklopljeno, in časom, ko deluje v prostem teku).

Vibracije

Skupne vrednosti vibracij (vektorska vsota treh osi) v skladu z EN62841-2-11:

Delovni način: rezanje plošč

Oddajanje tresljajev ($a_{h,B}$): 4,6 m/s²

Odstopanje (K): 2,5 m/s²

Delovni način: rezanje pločevine

Oddajanje tresljajev ($a_{h,M}$): 4,8 m/s²

Odstopanje (K): 1,5 m/s²

OPOMBA: Navedene skupne vrednosti oddajanja vibracij so bile izmerjene v skladu s standardnimi metodami testiranja in se lahko uporabljajo za primerjavo orodij.

OPOMBA: Navedene skupne vrednosti oddajanja vibracij se lahko uporabljajo tudi pri predhodni oceni izpostavljenosti.

⚠ OPOZORILO: Oddajanje vibracij med dejansko uporabo električnega orodja se lahko razlikuje od navedenih vrednosti, odvisno od načina uporabe orodja in predvsem vrste obdelovanca.

⚠ OPOZORILO: Upravljevec mora za lastno zaščito poznati varnostne ukrepe, ki temeljijo na oceni izpostavljenosti v dejanskih pogojih uporabe (poleg časa proženja je treba upoštevati celoten delovni cikel, vključno s časom, ko je orodje izklopljeno, in časom, ko deluje v prostem teku).

Izjave o skladnosti

Samo za evropske države

Izjave o skladnosti so vključene v dodatek A teh navodil za uporabo.

VARNOSTNA OPOZORILA

Splošna varnostna opozorila za električno orodje

⚠ OPOZORILO Preberite vsa varnostna opozorila ter navodila s slikami in tehničnimi podatki, ki so priloženi temu električnemu orodju. Ob neupoštevanju spodaj navedenih navodil obstaja nevarnost električnega udara, požara in/ali hudih telesnih poškodb.

Shranite vsa opozorila in navodila za poznejšo uporabo.

Izraz „električno orodje“ v opozorilih se nanaša na vaše električno orodje (s kablom) ali baterijsko električno orodje (brez kabla).

Varnostna opozorila za uporabo brezžične vboodne žage

1. Če obstaja nevarnost, da bi z rezilnim orodjem prerezali skrito električno napeljavo, držite električno orodje na izoliranih držalnih površinah. Ob stiku z vodniki pod napetostjo dobijo napetost vsi neizolirani kovinski deli električnega orodja, zaradi česar lahko uporabnik utрпи električni udar.
2. Uporabljajte sponke ali druge praktične načine za pritrditve in podporo obdelovanca na stabilno podlago. Če držite obdelovanec z roko ali ga naslanjate na telo, je nestabilen in lahko povzroči izgubo nadzora.
3. Vedno uporabljajte zaščitna očala. Navadna ali sončna očala NISO zaščitna očala.
4. Izogibajte se rezanju žebeljev. Preglejte obdelovanec, če so v njem žebelji, in jih pred delom odstranite.
5. Ne režite prevelikih obdelovancev.
6. Pred rezanjem preverite ustrezen prostor okrog obdelovanca, tako da rezilo vboodne žage ne bo udarilo ob tla, delovni pult itd.
7. Trdno držite orodje.
8. Preden vklopite stikalo, se prepričajte, da se rezilo vboodne žage ne dotika obdelovanca ipd.
9. Ne približujte rok premikajočim se delom.
10. Orodja ne pustite delovati brez nadzora. Dovoljeno ga je uporabljati samo ročno.
11. Orodje vedno izključite in počakajte, da se rezilo vboodne žage popolnoma ustavi, preden odstranite rezilo vboodne žage iz obdelovanca.
12. Neposredno po končani obdelavi se ne dotikajte rezila vboodne žage ali obdelovanca; lahko sta zelo vroča in se lahko z njima opečete.

13. Ne uporabljajte orodja brez obremenitve po nepotrebnem.
14. Nekateri materiali vsebujejo kemikalije, ki so lahko strupene. Bodite previdni ter preprečite vdihavanje prahu in stik s kožo. Upoštevajte varnostne podatke dobavitelja materiala.
15. Vedno uporabite ustrezno protiprašno masko/ respirator za načrtovani material in uporabo.

SHRANITE TA NAVODILA.

⚠ OPOZORILO: NE dovolite, da bi zaradi udobnejšega dela ali znanja o uporabi izdelka (pridobljenega z večkratno uporabo) opustili strogo upoštevanje varnostnih zahtev v okviru pravilne uporabe orodja. ZLORABA ali neupoštevanje varnostnih zahtev v teh navodilih za uporabo lahko povzroči resne telesne poškodbe.

Pomembna varnostna navodila za akumulatorsko baterijo

1. Pred uporabo baterijskega vložka preberite vsa navodila in opozorilne oznake na (1) polnilniku akumulatorja, (2) akumulatorju in (3) izdelku, ki uporablja akumulator.
2. Ne razstavljajte ali spreminjajte akumulatorske baterije. S tem lahko povzročite požar, prekomerno vročino ali eksplozijo.
3. Če se je čas delovanja občutno skrajšal, takoj prenehajte uporabljati orodje. V nasprotnem primeru lahko pride do pregretja, morebitnih opeklin in celo eksplozije.
4. Če pride elektrolit v stik z očmi, jih sperite s čisto vodo in takoj poiščite zdravniško pomoč. Posledica je lahko izguba vida.
5. Ne povzročite kratkega stika baterijskega vložka:
 - (1) Ne dotikajte se priključkov s kakršnim koli prevodnim materialom.
 - (2) Izogibajte se shranjevanju baterijskega vložka v vsebniku z drugimi kovinskimi predmeti kot so žebelji, kovanci itn.
 - (3) Ne izpostavljajte baterijskega vložka vodi ali dežju.Kratek stik akumulatorja lahko povzroči velik električni tok, pregrevanje, morebitne opekline in celo okvaro.
6. Ne shranjujte in uporabljajte orodja in akumulatorske baterije na mestih, kjer lahko temperatura doseže ali preseže 50 °C (122 °F).
7. Ne sežigajte baterijskega vložka, tudi če je hudo poškodovan ali v celoti izpraznjen. Baterijski vložek lahko v ognju eksplodira.
8. Ne pribijajte, režite, drobite, mečite, spuščajte akumulatorske baterije oziroma ne udarjajte z akumulatorsko baterijo po trdem predmetu. Takšno ravnanje lahko povzroči požar, prekomerno vročino ali eksplozijo.
9. Ne uporabljajte poškodovanih akumulatorjev.
10. Priložene litij-ionske baterije ustrezajo zahtevam zakonodaje v zvezi z nevarnim blagom. Za komercialne prevoze, npr. tiste, ki jih opravljajo tretje stranke in carinski posredniki, je treba upoštevati posebne zahteve v zvezi z embalažo in označevanjem.

Med postopkom priprave na odpremo izdelka se je treba posvetovati s strokovnjakom za nevarne snovi. Pri tem upoštevajte tudi podrobnejše nacionalne predpise.

Odprte stike oblepite z lepilnim trakom ali jih drugače zaščitite, baterijo pa zapakirajte tako, da se v embalaži ne more premikati.

11. **Ko odstranjujete akumulatorsko baterijo, jo vzemite iz orodja in varno zavržite. Upoštevajte lokalne uredbe glede odlaganja baterije.**
12. **Baterije uporabljajte le z izdelki, ki jih določi Makita.** Če namestite baterije v neskladne izdelke, lahko pride do požara, pregrevanja, eksplozije ali puščanja elektrolita.
13. **Če orodja dlje časa ne uporabljate, morate iz njega odstraniti baterijo.**
14. **Med uporabo in po uporabi lahko akumulatorska baterija postane vroča in povzroči opekline. Z vročimi akumulatorskimi baterijami ravnajte pazljivo.**
15. **Ne dotikajte se priključka orodja takoj po uporabi, ker se lahko dovolj segreje, da povzroči opekline.**
16. **Ne dovolite, da bi se v priključke, odprtine in utore akumulatorske baterije zlepi ali ostružki, prah ali zemlja.** To lahko povzroči pregrevanje, požar, razpočenje in okvaro orodja ali akumulatorske baterije ter privede do opeklin ali drugih telesnih poškodb.
17. **Razen če orodje podpira uporabo v bližini visokonapetostnih električnih vodov, akumulatorske baterije ne uporabljajte v bližini visokonapetostnih električnih vodov.** Takšna uporaba lahko povzroči motnje v delovanju ali okvaro orodja oziroma akumulatorske baterije.
18. **Baterijo hranite izven dosega otrok.**

SHRANITE TA NAVODILA.

⚠️ POZOR: Uporabljajte le originalne baterije Makita. Če uporabljate neoriginalne baterije Makita ali baterije, ki so bile spremenjene, lahko pride do eksplozije baterije in posledično do požara, telesnih poškodb ali materialne škode. S takšno uporabo boste tudi razveljavili garancijo Makita za orodje in polnilnik Makita.

Nasveti za ohranjanje največje zmogljivosti akumulatorja

1. **Napolnite baterijski vložek, preden se v celoti izprazni. Ko opazite, da ima orodje manjšo moč, vedno ustavite delovanje orodja in napolnite baterijski vložek.**
2. **Nikoli znova ne polnite popolnoma napolnjenega baterijskega vložka. Prenapolnjenje skrajša življenjsko dobo akumulatorja.**
3. **Baterijski vložek s sobno temperaturo polnite pri temperaturi okolja od 10 °C do 40 °C. Počakajte, da se vroč baterijski vložek pred polnjenjem ohladi.**
4. **Ko akumulatorske baterije ne uporabljate, jo odstranite iz orodja ali polnilnika.**
5. **Če baterijskega vložka ne uporabljate dalj časa (več kot 6 mesecev), ga napolnite.**

OPIS DELOVANJA

⚠️ POZOR: Pred nastavljanjem ali preizkusom delovanja orodja se prepričajte, ali je orodje izključeno in ali je akumulatorska baterija odstranjena.

Nameščanje ali odstranjevanje akumulatorske baterije

⚠️ POZOR: Vedno izklopite orodje, preden namestite ali odstranite akumulatorsko baterijo.

⚠️ POZOR: Kadar nameščate ali odstranjujete akumulatorsko baterijo, trdno držite orodje in akumulatorsko baterijo. Če orodja in akumulatorske baterije ne držite trdno, se lahko zgodi, da vam zdrsneta iz rok, posledica pa je lahko poškodba orodja in akumulatorske baterije ter telesna poškodba.

► **SI.1:** 1. Rdeči indikator 2. Gumb 3. Baterijski vložek

Če želite odstraniti akumulatorsko baterijo, jo potisnite iz orodja, pri tem pa pomikajte gumb na sprednji strani vložka.

Akumulatorsko baterijo vstavite tako, da poravnate jeziček na bateriji z utorom na ohišju in jo potisnete v ležišče. Potisnite jo do konca, da se zaskoči. Če vidite rdeči indikator, kot je prikazano na sliki, se akumulatorska baterija ni ustrezno zaskočila.

⚠️ POZOR: Vedno namestite akumulatorsko baterijo tako, da rdeči indikator ni več viden. Če tega ne upoštevate, lahko baterija nepričakovano pade iz orodja in poškoduje vas ali osebe v neposredni bližini.

⚠️ POZOR: Ne nameščajte akumulatorske baterije s silo. Če se akumulatorska baterija ne zaskoči zlahka, ni pravilno vstavljena.

Prikazuje preostalo raven napoljenosti akumulatorja

Pritisnite gumb za preverjanje na baterijskem vložku, da preverite raven napoljenosti akumulatorja. Indikatorske lučke na kratko zasvetijo.

► **SI.2:** 1. Indikatorske lučke 2. Gumb za preverjanje

Indikatorske lučke			Prikaz preostale ravni napoljenosti
Sveti	Ne sveti	Utripa	
■ ■ ■ ■	□ □ □ □	▬	od 75 % do 100 %
■ ■ ■ □	□ □ □ □	▬	od 50 % do 75 %
■ ■ □ □	□ □ □ □	▬	od 25 % do 50 %
■ □ □ □	□ □ □ □	▬	od 0 % do 25 %
▬ □ □ □	□ □ □ □	▬	Napolnite akumulator.
■ ■ □ □	□ □ □ □	▬	Akumulator je morda okvarjen.
□ □ □ ■	■ ■ ■ ■	▬	

OPOMBA: Odvisno od pogojev uporabe in okoljske temperature se označba lahko nekoliko razlikuje od dejanske napolnjenosti.

OPOMBA: Prva opozorilna lučka (skrajno levo) bo utripala, ko sistem za zaščito akumulatorja deluje.

Zaščitni sistem orodja/akumulatorja

Orodje je opremljeno z zaščitnim sistemom za orodje/akumulator. Sistem samodejno prekine napajanje orodja, da podaljša življenjsko dobo orodja in akumulatorja. Orodje se samodejno zaustavi med delovanjem, če orodje ali akumulator delujeta pod naslednjimi pogoji:

Zaščita pred preobremenitvijo

Kadar akumulator uporabljate na način, ki povzroča uporabo neobičajno visokega toka, se orodje samodejno ustavi brez kakršnih koli znakov. V tem primeru izklopite orodje in prenehajte izvajati delo, ki je povzročilo preobremenitev orodja. Nato vklopite orodje in ga znova zaženite.

Zaščita pred pregrevanjem

Če je orodje ali akumulator pregret, se orodje samodejno ustavi in lučka začne utripati. V tem primeru počakajte, da se orodje in akumulator ohladi, preden znova vklopite orodje.

Zaščita pred izpraznjenjem

Ko je zmogljivost akumulatorja prenizka, se orodje samodejno ustavi. V tem primeru odstranite akumulator iz orodja in ga napolnite.

Zaščita pred drugimi vzroki

Sistem zaščite je zasnovan tudi za druge vzroke, ki bi lahko povzročili poškodbe orodja, in omogoča samodejno ustavitve orodja. Kadar se orodje začasno ustavi ali preneha delovati, izvedite vse naslednje korake, da odpravite vzroke.

1. Izklopite orodje in ga nato vklopite, da ga znova zaženete.
2. Napolnite baterijo ali jo zamenjajte z napolnjeno baterijo (po potrebi ponovite postopek še za drugo baterijo).
3. Počakajte, da se orodje in baterija ohladita.

Če z obnovitvijo sistema zaščite ne odpravite težave, se obrnite na lokalni servisni center Makita.

Izbira načina delovanja

To orodje lahko deluje z nihajnim ali linearnim hodom rezila žage (gibanje navzgor in navzdol). Pri nihajnem hodu se rezilo vodne žage pomika naprej in poveča hitrost rezanja.

► **SI.3:** 1. Ročica za spreminjanje hoda rezila žage

Za spremembo hoda rezila žage obrnite preklopnik v zeleni položaj. Ustrezen hod rezila žage izberite s pomočjo spodnje tabele.

Položaj	Hod rezila žage	Uporaba
0	Linearni hod rezila žage	Za rezanje mehkega jekla, nerjavnega jekla in plastike. Za čiste reze v les in vezani les.
I	Majhni nihajni hod rezila žage	Za rezanje mehkega železa, aluminija in trdega lesa.
II	Srednji nihajni hod rezila žage	Za rezanje lesa in veznega lesa. Za hitro rezanje v aluminij in mehko jeklo.
III	Veliki nihajni hod rezila žage	Za hitro rezanje v les in vezani les.

Vklop sprednje lučke

⚠ POZOR: Ne glejte neposredno v lučko ali vir svetlobe.

Pritisnite stikalo za zaklepanje, da vklopite lučko. Ponovno pritisnite stikalo za zaklepanje, da izklopite lučko.

► **SI.4:** 1. Stikalo za zaklepanje 2. Lučka

OBVESTILO: Če je orodje pregreto, lučka utripa. Pred ponovno uporabo orodje popolnoma ohladite.

OPOMBA: Uporabite suho krpo, da obrišete umazanijo z leče lučke. Pazite, da ne opraskate stekla lučke, ker praske občutno zmanjšajo svetilnost.

Delovanje stikala

Za vklop orodja pritisnite stikalo za zaklepanje. Orodje preklopi v stanje pripravljenosti. Za zagon orodja v stanju pripravljenosti pritisnite stikalo za vklop/stanje pripravljenosti. Za ustavitve orodja znova pritisnite stikalo za vklop/stanje pripravljenosti. Orodje preklopi v stanje pripravljenosti. Za izklop orodja v stanju pripravljenosti pritisnite stikalo za zaklepanje.

► **SI.5:** 1. Stikalo za zaklepanje 2. Stikalo za vklop/stanje pripravljenosti

OPOMBA: Če orodje pustite 10 sekund v stanju pripravljenosti, ne da bi ga uporabili, se samodejno izklopi in lučka ugasne.

OPOMBA: Orodje lahko ustavite in izklopite tudi tako, da med delovanjem pritisnete stikalo za zaklepanje.

Če želite zmanjšati svetlost lučke, pritisnite in pridržite stikalo za zaklepanje, ko preklopite v stanje pripravljenosti. Približno 1 sekundo po tem, ko začnete pritiskati stikalo za zaklepanje, se bo svetlost lučke začela zmanjševati, zato spustite stikalo za zaklepanje, ko dosežete zeleno svetlost. Orodje preklopi tudi v stanje pripravljenosti. Približno 3 sekunde po tem, ko začnete pritiskati stikalo za zaklepanje, se bo svetlost lučke zmanjšala in se po tem ne bo spremenila.

OPOMBA: Svetlosti lučke ni mogoče nastaviti, ko je orodje v stanju pripravljenosti. Izklopite orodje, da zmanjšate svetlost lučke.

OPOMBA: Za svetlost lučke ni na voljo spominska funkcija. Če lučko ugasnete in nato vklopite, bo svetlost lučke vsakič največja.

Gumb za nastavev hitrosti

► **SI.6:** 1. Gumb za nastavev hitrosti

Hitrost orodja lahko nastavljate z vrtenjem gumba za nastavev hitrosti. Za najvišjo hitrost nastavite na 6, najnižjo pa na 1.

Za izbiro ustrezne hitrosti za obdelovanec, ki ga boste rezali, glejte tabelo. Optimalna hitrost je odvisna tudi od vrste in debeline obdelovanca. Večja hitrost praviloma pospeši hitrost rezanja, vendar tudi skrajša življenjsko dobo rezila vbodne žage.

Obdelovanec	Številka
Les	4–6
Mehko jeklo	3–6
Nerjavno jeklo	3–4
Aluminij	3–6
Plastika	1–4

OBVESTILO: Gumb za izbiro hitrosti lahko obrnete samo do 6 in nazaj do 1. Ne vrtite ga na silo prek položaja 6 ali 1, ker lahko pride do okvare funkcije nastavljanja hitrosti.

Elektronska funkcija

Orodje je opremljeno z elektronskimi funkcijami za enostavno delovanje.

Mehki zagon

Funkcija mehkega zagona zmanjša sunek ob zagonu in omogoči gladek zagon orodja.

Nadzor stalne hitrosti

Elektronski nadzor hitrosti za stalno število vrtljajev. Možnost fine končne obdelave, saj je hitrost vrtenja stalna tudi med obremenitvijo.

Mehki zagon brez obremenitve

Kadar je številčnica za izbiro hitrosti v položaju „3“ ali več, orodje samodejno zmanjša hitrost pri delovanju brez obremenitve, da zmanjša vibracije in lažje poravnava rezilo vbodne žage z linijo rezanja. Ko začnete z orodjem obrezovati obdelovanec, se hitrost orodja poveča in doseže prednastavljeno hitrost.

OPOMBA: Funkcija morda ni na voljo, ko je orodje hladno. Ta funkcija morda prav tako ne bo na voljo pri nekaterih vrstah materiala.

OPOMBA: Če se hitrost po rezanju obdelovanca ne zmanjša, izklopite orodje in ga ponovno vklopite.

Onemogočanje ali omogočanje funkcije mehkega zagona brez obremenitve

Če želite onemogočiti ali omogočiti funkcijo mehkega zagona brez obremenitve, upoštevajte spodnje korake.

1. Prepričajte se, da je orodje izklopljeno.
2. Obrnite gumb za nastavev hitrosti na vrednost „1“.
3. Pritisnite stikalo za zaklepanje, da vklopite orodje.
4. Gumb za nastavev hitrosti najprej obrnite na vrednost „6“ in nato nazaj na „1“.

Lučka dvakrat utripne, ko je funkcija mehkega zagona brez obremenitve onemogočena ali omogočena. Če želite funkcijo znova omogočiti ali onemogočiti, ponovite postopek.

OPOMBA: Če je funkcija mehkega zagona brez obremenitve onemogočena, lučka dvakrat utripne, ko vklopite orodje.

OPOMBA: Funkcijo mehkega zagona brez obremenitve lahko onemogočite ali omogočite tudi tako, da gumb za nastavev hitrosti premaknete med vrednostmi „6“ – „1“ – „6“.

Električna zavora

Orodje je opremljeno z električno zavoro. Če se orodje po sprostitvi sprožilca ni zmožno hitro zaustaviti, odnesite orodje na popravilo v servisni center Makita.

MONTAŽA

▲POZOR: Pred vsako izvedbo dela na orodju se prepričajte, da je le to izključeno in da je akumulatorska baterija odstranjena.

Namestitvev ali odstranitvev rezila vbodne žage

▲POZOR: Z rezila vbodne žage in/ali držala rezila redno odstranite sprijete ostružke ali tujke. V nasprotnem primeru lahko pride do nezadostne pritrditve rezila vbodne žage, kar povzroči hudo telesno poškodbo.

▲POZOR: Takoj po končani obdelavi se ne dotikajte rezila vbodne žage ali obdelovanca. Lahko sta zelo vroča in povzročita opekline kože.

▲POZOR: Vedno trdno pritržite rezilo vbodne žage. Nezadostna pritrditvev rezila vbodne žage lahko povzročijo zlom rezila ali hude telesne poškodbe.

▲POZOR: Pri odstranjevanju rezila vbodne žage bodite previdni, da na zgodnjem delu rezila vbodne žage ali konicah obdelovanca ne poškodujete prstov.

Preden namestite rezilo vbodne žage, poskrbite, da je vpenjalo rezila vbodne žage v sproščnem položaju. Za namestitev rezila vbodne žage le-tega vstavite (z zobci, obrnjenimi naprej) v držalo rezila vbodne žage, da se zaskoči. Ročica vpenjala rezila vbodne žage se premakne v fiksni položaj in rezilo vbodne žage se samodejno zaskoči. Preverite, ali se zadnji rob rezila vbodne žage prilega v valjček. Rahlo povlecite rezilo vbodne žage, da zagotovite, da rezilo vbodne žage med delovanjem ne pade.

► **SI.7:** 1. Ročica vpenjala rezila vbodne žage (fiksni položaj) 2. Ročica vpenjala rezila vbodne žage (sproščeni položaj)

► **SI.8:** 1. Držalo rezila vbodne žage 2. Ročica vpenjala rezila vbodne žage (sproščeni položaj) 3. Rezilo vbodne žage 4. Valjček

⚠ POZOR: Odpirala orodja ne odpirajte preveč, saj lahko poškoduje orodje.

Za odstranjevanje rezila vbodne žage odprite odpiralo orodja naprej do omejila. Tako boste sprostili rezilo vbodne žage.

► **SI.9:** 1. Držalo rezila vbodne žage 2. Odpiralo orodja 3. Rezilo vbodne žage

OPOMBA: V primeru, da je težko odstraniti rezilo vbodne žage:

Ročico za spreminjanje hoda rezila žage obrnite v položaj „III“ in večkrat rahlo vklopite orodje, da se držalo rezila vbodne žage premakne na dno.

Prepričajte se, da je ročica vpenjala rezila vbodne žage v fiksni položaju, ko vklopite orodje.

Pred nameščanjem ali odstranjevanjem rezila vbodne žage z orodja odstranite akumulatorsko baterijo.

OPOMBA: Občasno namažite valjček.

Shranjevanje inbus ključa

Ko inbus ključa ne uporabljate, ga shranite, kot je prikazano na sliki, da ga ne izgubite.

► **SI.10:** 1. Drsnik 2. Imbusni ključ

Pokrivna plošča

Pri rezanju okrasnega furnirja, umetnih snovi itd. uporabite pokrivno ploščo, ki ščiti občutljive površine pred poškodbami. Namestite jo na dno drsnika orodja.

► **SI.11:** 1. Pokrivna plošča 2. Drsnik

Protirazcepna naprava

⚠ POZOR: Pri rezanju pod kotom uporaba protirazcepne naprave ni mogoča.

Za rezanje brez cepljenja uporabite protirazcepno napravo. Za namestitev protirazcepne naprave premaknite drsnik orodja do konca naprej in vstavite napravo z dna drsnika orodja.

Če uporabljate pokrivno ploščo, namestite protirazcepno napravo nanjo.

► **SI.12:** 1. Drsnik 2. Protirazcepna naprava

Odsesavanje prahu

Dodatna oprema

Za večjo čistočo pri delu je priporočljiv sesalni nastavek.

Za nameščanje sesalnega nastavka na orodje vstavite kljuko sesalnega nastavka v odprtino v drsniku.

► **SI.13:** 1. Sesalni nastavek 2. Drsnik

Za pritrditev sesalnega nastavka privijte vpenjalni vijak na sprednjem delu sesalnega nastavka. Sesalni nastavek lahko namestite na levo ali desno stran drsnika.

► **SI.14:** 1. Vpenjalni vijak

Nato na sesalni nastavek priključite sesalnik za prah Makita.

► **SI.15:** 1. Sesalni nastavek 2. Cev za sesalnik za prah

UPRAVLJANJE

⚠ POZOR: Drsnik mora biti vedno poravnano z obdelovancem. V nasprotnem primeru lahko pride do zloma rezila vbodne žage, posledica pa je huda poškodba.

⚠ POZOR: Pri rezanju krivin ustrezno zmanjšajte pomik orodja. Premočno pritiskanje z orodjem lahko povzroči nenatančnost reza in zlom rezila vbodne žage.

Ko rezilo vbodne žage ni v stiku z obdelovancem, vklopite orodje in počakajte, da rezilo vbodne žage doseže polno hitrost. Prislonite drsnik plosko na obdelovanec in stroj previdno pomikajte naprej vzdolž označene linije reza.

► **SI.16:** 1. Linija reza 2. Drsnik

Poševno rezanje

⚠ POZOR: Preden nagnete drsnik, se vedno prepričajte, da je orodje izklopljeno in akumulatorska baterija odstranjena.

Z nagibanjem drsnika lahko nastavite poljuben poševni kot rezanja v območju med 0° in 45° (v levo ali desno).

► **SI.17**

Za nagib drsnika odvijte vijak na dnu podstavka z imbusnim ključem. Premaknite drsnik tako, da je vijak v sredini poševne zarezave v drsniku.

► **SI.18:** 1. Inbus ključ 2. Vijak 3. Osnovna plošča

Nagnite drsnik v položaj, ki ustreza zelenemu kotu. Zarezava v obliki črke V v ohišju stroja označuje različne nastavitve za poševni kot reza. Po nastavitvi trdno zategnite vijak za pritrditev drsnika.

► **SI.19:** 1. Poševna zarezava 2. Osnovna plošča 3. Vijak 4. Stopnje 5. Zarezava v obliki črke V 6. Ohišje orodja

Rezanje tik ob robu

Popustite vijak na dnu drsnika z imbusnim ključem in potisnite drsnik povsem nazaj do naslona. Po nastavitvi zategnite vijak za pritrditev drsnika.

► **SI.20:** 1. Imbusni ključ 2. Vijak 3. Drsnik

Izrezi

Izreze lahko izvajate z enim od naslednjih postopkov: „vrtanje pomožne izvrtine“ ali „pogreznjeno rezanje“.

Vrtanje pomožne izvrtine

Če želite izdelati izrez brez dovodnega reza od roba obdelovanca, izvrtajte skozi obdelovanec luknjo s premerom 12 mm ali več. Vstavite rezilo vbodne žage v izvrtano luknjo in začnite z rezanjem.

► **SI.21**

Žaganje s pogrezanjem

Brez pomožne izvrtine ali dovodnega reza lahko izrez naredite na naslednji način.

► **SI.22**

1. Nagnite orodje na sprednji rob drsnika, tako da je konica rezila vbodne žage tik nad površino obdelovanca.
2. Orodje po vklopu trdno držite in počasi pritiskajte njegov zadnji del proti obdelovancu. Medtem pazite, da se sprednji rob drsnika ne premakne z mesta.
3. Ko rezilo vbodne žage prodira v obdelovanec, počasi spustite drsnik orodja proti površini obdelovanca.
4. Rez dokončajte kot pri običajnem rezanju.

Obdelava robov

Pri obdelavi robov ali izvajanju popravkov mer obdelovanca vodite rezilo vbodne žage narahlo vzdolž robov reza.

► **SI.23**

Rezanje kovin

Pri rezanju kovin vedno uporabljajte primerno hladilno tekočino (olje za rezanje). V nasprotnem primeru lahko pride do znatne obrabe rezila vbodne žage. Če nimate hladilne tekočine, lahko rahlo namastite spodnjo stran obdelovanca.

Vzporedni prislon

Dodatna oprema

⚠ POZOR: Preden namestite ali odstranite dodatno opremo, se vedno prepričajte, da je orodje izklopljeno in akumulatorska baterija odstranjena.

Ravni rezi

Vzporedni prislon omogoča izvajanje hitrih in natančnih ravnih rezov s širino do 160 mm.

► **SI.24:** 1. Vzporedni prislon (vodilno ravnilo)

Vstavite vzporedni prislon v pravokotno odprtino na bočni strani drsnika, tako da je prislon obrnjen navzdol. Potisnite vzporedni prislon v položaj, ki ustreza želeni širini reza, nato pa zategnite vijak.

► **SI.25:** 1. Imbusni ključ 2. Vijak 3. Vodilni prislon 4. Vzporedni prislon (vodilno ravnilo)

Krožni rezi

Pri izvajanju krožnih rezov in krivin s polmerom do 170 mm namestite vzporedni prislon, kot sledi.

► **SI.26:** 1. Vzporedni prislon (vodilno ravnilo)

⚠ POZOR: Ne dotikajte se konice vodilnega zatiča za krožne reze. Ostra konica vodilnega zatiča za krožne reze lahko povzroči telesne poškodbe.

1. Vstavite vzporedni prislon v pravokotno odprtino na bočni strani drsnika, tako da je prislon obrnjen navzgor.
2. Vstavite vodilni zatič za krožne reze v eno od obeh lukenj v vzporednem prislonu. Nato privijte gumb z navoji na vodilni zatič za krožne reze, da ga pritrdite.
► **SI.27:** 1. Gumb z navoji 2. Vodilni prislon 3. Vzporedni prislon (vodilno ravnilo) 4. Vodilni zatič za krožne reze 5. Vijak
3. Potisnite vzporedni prislon v položaj, ki ustreza želenemu rezalnemu polmeru, nato pa zategnite vijak.

OPOMBA: Pri rezanju krogov ali krivin vedno uporabljajte rezila vbodne žage št. B-17, B-18, B-26 ali B-27.

Komplet adapterja vodila

Dodatna oprema

Kadar režete vzporedno in enotno širino ali izvajate raven rez, bo uporaba vodila in adapterja vodila zagotovila izvedbo hitrih in natančnih rezov. Za namestitev adapterja vodila vstavite merilno palico do konca v kvadratno odprtino drsnika. Trdno zategnite vijak z imbus ključem.

► **SI.28:** 1. Imbusni ključ 2. Merilna palica 3. Vijak

Vstavite merilno palico v kvadratno odprtino adapterja vodila in trdno zategnite vijak. Namestite adapter vodila na vodilo.

► **SI.29:** 1. Adapter vodila 2. Vodilo 3. Vijak

OBVESTILO: Pri uporabi vodila in adapterja vodila vedno uporabljajte rezilo vbodne žage št. B-8, B-13, B-16, B-17 ali 58.

VZDRŽEVANJE

⚠ POZOR: Preden se lotite pregledovanja ali vzdrževanja orodja, se vedno prepričajte, da je orodje izklopljeno in akumulatorska baterija odstranjena.

OBVESTILO: Nikoli ne uporabljajte bencina, razredčila, alkohola ali podobnega sredstva. V tem primeru se lahko orodje razbarva ali deformira oziroma lahko nastanejo razpoke.

VARNO in ZANESLJIVO delovanje tega izdelka bo zagotovljeno le, če boste popravila, vzdrževanje in nastavitve prepustili pooblaščenemu servisu za orodja Makita ali tovarniškemu osebju, ki vgrajuje izključno originalne nadomestne dele.

DODATNA OPREMA

⚠ POZOR: Ta dodatni pribor ali pripomočki so predvideni za uporabo z orodjem Makita, ki je opisano v teh navodilih za uporabo. Pri uporabi drugega pribora ali pripomočkov obstaja nevarnost telesnih poškodb. Dodatni pribor ali pripomočke uporabljajte samo za navedeni namen.

Za več informacij o dodatni opremi se obrnite na najbližji pooblaščen servis za orodja Makita.

- Rezila vbojne žage
- Imbusni ključ 4
- Komplet vzporednega prislona (vodilno ravnilo)
- Komplet adapterja vodila
- Komplet vodilnih tirnic
- Protirazcepná naprava
- Pokrivna plošča
- Sklop sesalnega nastavka
- Originalna akumulator in polnilnik Makita

OPOMBA: Nekateri predmeti na seznamu so lahko priloženi orodju kot standardna dodatna oprema. Lahko se razlikujejo od države do države.

SPECIFIKIMET

Modeli:		JV001G
Gjatësia e goditjes		26 mm
Goditje në minutë		800 - 3 500 min ⁻¹
Lloji i tehut		Lloji B
Kapacitetet maks. të prerjes	Dru	135 mm
	Çelik i butë	10 mm
	Alumin	20 mm
Gjatësia e përgjithshme (me BL4025)		283 mm
Tensioni nominal		D.C. 36 V - 40 V maks.
Pesha neto		2,6 - 2,9 kg

- Për shkak të programit tonë të vazhdueshëm të kërkim-zhvillimit, specifikimet që jepen këtu mund të ndryshojnë pa dhënë njoftim.
- Specifikimet mund të ndryshojnë nga njëri shtet në tjetrin.
- Pesha mund të ndryshojë në varësi të aksesorit(ëve), përfshirë kutinë e baterisë. Kombinimi më i lehtë dhe më i rëndë, sipas Procedurës EPTA 01/2014, tregohet në tabelë.

Kutia e aplikueshme e baterisë dhe karikuesi

Kutia e baterisë	BL4020 / BL4025 / BL4040
Karikuesi	DC40RA / DC40RB / DC40RC

- Disa prej kutive të baterive dhe karikuesve të renditura më lart mund të mos jenë të disponueshme në varësi të zonës ku ju banoni.

⚠ PARALAJMËRIM: Përdorni vetëm kutitë e baterisë dhe karikuesit e listuar më lart. Përdorimi i karikuesve dhe kutive të tjera të baterisë mund të shkaktojë lëndim dhe/ose zjarr.

Përdorimi i synuar

Pajisja është menduar për prerjen e materialeve prej druri, plastike dhe metali.

Zhurma

Niveli tipik i zhurmës A, i matur sipas EN62841-2-11:

Niveli i presionit të zhurmës (L_{pA}): 87 dB (A)

Niveli i fuqisë së zhurmës (L_{WA}): 98 dB (A)

Pasiguria (K): 3 dB (A)

SHËNIM: Vlerat e deklaruar totale të emetimeve të zhurmës janë matur sipas një metode standarde testimi dhe mund të përdoren për të krahasuar një vegël me një tjetër.

SHËNIM: Vlerat e deklaruar të emetimeve të zhurmës mund të përdoren për një vlerësim paraprak të ekspozimit.

⚠ PARALAJMËRIM: Mbani mbrojtëse për veshët.

⚠ PARALAJMËRIM: Emetimet e zhurmës gjatë përdorimit aktual të veglës elektrike mund të ndryshojnë nga vlerat e deklaruar në varësi të mënyrave sesi përdoret vegla, veçanërisht nga lloji i materialit të punës që përdoret.

⚠ PARALAJMËRIM: Vërtetoni që masat e sigurisë për mbrojtjen e përdoruesit bazohen në vlerësimin e ekspozimit ndaj kushteve aktuale të përdorimit (duke marrë parasysh të gjitha pjesët e ciklit të funksionimit si ato kur pajisja është e fikur dhe punon pa prerë ashtu edhe kohën e përdorimit).

Dridhja

Vlera totale e dridhjeve (shuma e vektorit me tre akse)

përcaktohet sipas EN62841-2-11:

Regjimi i punës: prerja e dërrasave

Emetimi i dridhjeve ($a_{h,B}$): 4,6 m/s²

Pasiguria (K): 2,5 m/s²

Regjimi i punës: prerja e metali në fletë të holla

Emetimi i dridhjeve ($a_{h,M}$): 4,8 m/s²

Pasiguria (K): 1,5 m/s²

SHËNIM: Vlerat e deklaruara totale të dridhjeve janë matur sipas një metode standarde testimi dhe mund të përdoren për të krahasuar një vegël me një tjetër.

SHËNIM: Vlerat e deklaruara totale të dridhjeve mund të përdoren për një vlerësim paraprak të ekspozimit.

⚠️ PARALAJMËRIM: Emetimet e dridhjeve gjatë përdorimit aktual të veglës elektrike mund të ndryshojnë nga vlerat e deklaruara në varësi të mënyrave sesi përdoret vegla, veçanërisht nga lloji i materialit të punës që përdoret.

⚠️ PARALAJMËRIM: Vërtetoni që masat e sigurisë për mbrojtjen e përdoruesit bazohen në vlerësimin e ekspozimit ndaj kushteve aktuale të përdorimit (duke marrë parasysh të gjitha pjesët e ciklit të funksionimit si ato kur pajisja është e fikur dhe punon pa prerë ashtu edhe kohën e përdorimit).

Deklaratat e konformitetit

Vetëm për shtetet evropiane

Deklaratat e konformitetit përfshihen në Shtojcën A në këtë manual përdorimi.

PARALAJMËRIME SIGURIE

Paralajmërimet e përgjithshme për sigurinë e veglës

⚠️ PARALAJMËRIM Lexoni të gjitha paralajmërimet për sigurinë, udhëzimet, ilustrimet dhe specifikimet e dhëna me këtë vegël elektrike. Mosndjekja e të gjitha udhëzimeve të renditura më poshtë mund të shkaktojë goditje elektrike, zjarr dhe/ose lëndim të rëndë.

Ruajini të gjitha paralajmërimet dhe udhëzimet për të ardhmen.

Termi "vegël elektrike" në paralajmërimet referohet veglës elektrike që përdoret e lidhur në prizë (me kordon) ose veglës së përdorur me bateri (pa kordon).

Paralajmërimet për sigurinë e sharrës pa kablo për punime në forma

1. Mbajeni pajisjen elektrike të sipërfaqet e izoluar kur të jeni duke kryer një veprim në të cilin aksesorit prerës mund të kontaktojë me tela të fshehur. Nëse aksesorit prerës prek një tel me rrymë, atëherë pjesët metalike të veglës elektrike elektrizohen dhe mund t'i shkaktojnë përdoruesit goditje elektrike.
2. Përdorni morsa ose ndonjë mënyrë tjetër praktike për ta siguruar dhe për ta mbështetur materialin e punës në një platformë të qëndrueshme. Mbajta e materialit me dorë ose përkundrejt trupit tuaj e lë atë të paqëndrueshëm dhe mund të shkaktojë humbje të kontrollit.

3. Përdorni gjithmonë syze sigurie të mëdha ose të vogla. Syzet e zakonshme ose syzet e diellit NUK janë syze sigurie.
4. Shmangni prerjen e gozhdëve. Kontrolloni materialin e punës për gozhdë dhe hiqini ato përpara se të punoni.
5. Mos prisni materiale të mëdha pune.
6. Kontrolloni për hapësirë të duhur rreth materialit të punës përpara se të prisni, në mënyrë që tehu i sharrës për punime në forma të mos godasë dyshemenë, tavolinën e punës etj.
7. Mbajeni veglën fort.
8. Sigurohuni që tehu i sharrës për punime në forma të mos prekë materialin e punës përpara se të ndizet çelësi.
9. Mbajni duart larg pjesëve lëvizëse.
10. Mos e lini veglën të ndezur. Përdoreni veglën vetëm duke e mbajtur në dorë.
11. Gjithmonë fikeni veglën dhe prisni që tehu i sharrës për punime në forma të ndalojë plotësisht përpara se ta hiqni tehun nga materiali i punës.
12. Mos e prekni tehun e sharrës për punime në forma ose materialin e punës menjëherë pas punës; mund të jenë shumë të nxehtë dhe mund t'ju djegin lëkurën.
13. Mos e përdorni veglën pa ngarkesë nëse nuk është e nevojshme.
14. Disa materiale përmbajnë kimikate që mund të jenë toksike. Kini kujdes që të parandaloni thithjen e pluhurave dhe kontaktin me lëkurën. Ndihni të dhënat e sigurisë nga furnizuesi i materialit.
15. Përdorni gjithmonë maskën kundër pluhurit/respiratorin e duhur për materialin dhe për aplikacionin me të cilët po punoni.

RUAJINI KËTO UDHËZIME.

⚠️ PARALAJMËRIM: MOS lejoni që njohja ose familjarizimi me produktin (të fituara nga përdorimi i shpeshë) të zëvendësojnë zbatimin me përpikëri të rregullave të sigurisë për produktin në fjalë. KEQPËRDORIMI ose mosndjekja e rregullave të sigurisë të dhëna në këtë manual përdorimi mund të shkaktojë dëmtime të rënda personale.

Udhëzime të rëndësishme rreth sigurisë për kutinë e baterisë

1. Përpara se ta përdorni kutinë e baterisë, lexoni të gjitha udhëzimet dhe shënimet e masave parandaluese te (1) ngarkuesi i baterisë, (2) bateria dhe (3) produkti që përdor baterinë.
2. Mos e çmontoni ose dëmtoni kutinë e baterisë. Kjo mund të shkaktojë zjarr, nxehtësi të lartë ose shpërthim.
3. Nëse koha e përdorimit është shkurtuar jashtë mase, ndalojeni punën menjëherë. Kjo mund të rezultojë në rrezik mbinxhejje, djegie të mundshme, madje edhe shpërthim.
4. Nëse ju futen elektrolitit në sy, shpëlajini sytë me ujë të pastër dhe kërkoni ndihmë mjekësore menjëherë. Kjo gjë mund të rezultojë në humbje të shikimit.

5. **Mos bëni lidhje të shkurtër me kutinë e baterisë:**

- (1) **Mos i prekni terminalet me materiale përcjellëse.**
- (2) **Shmangni ruajtjen e kutisë së baterisë në një kuti me objekte të tjera metalike, si gozhdë, monedha etj.**
- (3) **Mos e ekspozoni kutinë e baterisë në ujë ose shi.**

Qarku i shkurtër i baterisë mund të shkaktojë qarkullim të madh të rrymës elektrike, mbinxehje, djegie të mundshme dhe madje prishje.

6. **Mos e ruani dhe mos e përdorni pajisjen dhe kutinë e baterisë në vende ku temperatura mund të arrijë ose tejkalojë 50 °C (122 °F).**
7. **Mos e digjini kutinë e baterisë, edhe nëse është shumë e dëmtuar ose është konsumuar plotësisht. Kutia e baterisë mund të shpërthejë në zjarr.**
8. **Mos e shponi, pritni, shtypni, hidhni apo rrezoni kutinë e baterisë apo ta goditni kutinë e baterisë me një objekt të fortë. Një sjellje e tillë mund të shkaktojë zjarr, nxehtësi të lartë ose shpërthim.**
9. **Mos përdorni bateri të dëmtuar.**
10. **Bateritë e përfshira të litiumit, u nënshtrohen kërkesave të legjisllacionit për mallrat e rrezikshme. Për transport tregtar p.sh. nga palë të treta, agjentë të ndërmjetëm, duhet të ndiqen kërkesa specifike mbi paketimin dhe etiketimin. Për përgatitjen e artikullit për transport, është i nevojshëm konsultimi i një eksperti për materiale të rrezikshme. Ju lutemi, ndiqni gjithashtu rregulloret me gjasë më të detajuara vendore. Mbuloni me ngjitëse ose maskoni kontaktet e zhveshura dhe paketojeni baterinë në mënyrë të tillë që të mos lëvizë në paketim.**
11. **Kur hidhni kutinë e baterisë, hiqeni nga vegla dhe hidhni në një vend të sigurt. Zbatoni rregulloret lokale rreth hedhjes së baterisë.**
12. **Përdorini bateritë vetëm me produktet e specifikuar nga Makita. Instalimi i baterive në produkte të papajtueshme mund të rezultojë në zjarr, nxehtësi të lartë, shpërthim ose rrjedhje të elektroliteve.**
13. **Nëse vegla nuk përdoret për një periudhë të gjatë kohe, bateria duhet të hiqet nga vegla.**
14. **Gjatë dhe pas përdorimit, kutia e baterisë mund të nxehtet, gjë që mund të shkaktojë djegie ose djegie në temperaturat e ulët. Tregoni kujdes gjatë manovrimit të kutive të nxehta të baterive.**
15. **Mos prekni terminalin e veglës menjëherë pas përdorimit pasi mund të nxehtet aq shumë sa të shkaktojë djegie.**
16. **Mos lejoni që grumbullimin e ashklave, pluhurave ose papastërtive në terminalet, vrimat ose kanalet e kutisë së baterisë. Mund të shkaktojë ngrohje, marrje flakë, plasje dhe avari të veglës ose të kutisë së baterisë, duke rezultuar në djegie ose lëndime personale.**
17. **Përveç kur vegla e mbështet përdorimin pranë linjave elektrike me voltazh të lartë, mos e përdorni kutinë e baterisë pranë linjave elektrike me voltazh të lartë. Kjo mund të shkaktojë një defekt ose dëmtim të veglës ose të kutisë së baterisë.**
18. **Mbajeni baterinë larg fëmijëve.**

RUAJINI KËTO UDHËZIME.

▲KUUJDES: Përdorni vetëm bateri origjinale Makita. Përdorimi i baterive jo-origjinale Makita ose baterive që mund të jenë modifikuar, mund të rezultojë në marrjen flakë të baterisë, lëndime personale apo dëmtime. Kjo do të anulohet gjithashtu edhe garancinë e Makita-s për veglën e Makita-s dhe ngarkuesin.

Këshilla për të ruajtur jetëgjatësinë maksimale të baterisë

1. **Ngarkojeni baterinë përpara se të shkarkohet plotësisht. Gjithmonë ndaloni punën me pajisjen dhe ngarkoni baterinë kur vëreni ulje të fuqisë së pajisjes.**
2. **Asnjëherë mos e ringarkoni baterinë e ngarkuar plotësisht. Mbingarkimi shkurtër jetëgjatësinë e shërbimit të baterisë.**
3. **Ngarkojeni baterinë në temperaturën e dhomës në 10 °C - 40 °C. Lëreni kutinë e nxehtë të baterisë të ftohet përpara se ta ngarkoni atë.**
4. **Kur nuk e përdorni kutinë e baterisë, hiqeni atë nga vegla ose karikuesi.**
5. **Ngarkojeni baterinë nëse nuk e përdorni për një kohë të gjatë (mbi gjashtë muaj).**

PËRSHKRIMI I PUNËS

▲KUUJDES: Sigurohuni gjithmonë që vegla të jetë e fikur dhe kutia e baterisë të jetë hequr përpara se ta rregulloni apo t'i kontrolloni funksionin e veglës.

Instalimi ose heqja e kutisë së baterisë

▲KUUJDES: Fikeni gjithmonë veglën përpara se të instaloni ose hiqni kutinë e baterisë.

▲KUUJDES: Mbajeni fort veglën dhe kutinë e baterisë kur montoni ose hiqni kutinë e baterisë. Mosmbajta fort e veglës dhe e kutisë së baterisë mund të bëjë që t'ju rreshqasin nga duart dhe të shkaktojë dëmtim të veglës dhe të kutisë së baterisë, si dhe lëndim personal.

► Fig.1: 1. Treguesi i kuq 2. Butoni 3. Kutia e baterisë

Për të hequr kutinë e baterisë, rreshqiteni atë nga vegla ndërsa rreshqisni butonin në pjesën e përparme të kutisë së baterisë.

Për të vendosur kutinë e baterisë, bashkërendisni gjuhëzën e kutisë së baterisë me kanalën e folesë dhe rreshqiteni për ta futur. Futni deri në fund, derisa të kërcasë dhe të bllokohet në vend. Nëse shikoni treguesin e kuq siç tregohet në figurë, nuk është e bllokuar plotësisht.

▲KUUJDES: Vendoseni gjithnjë plotësisht kutinë e baterisë derisa treguesi i kuq të mos duket. Në të kundërt, ajo mund të bjerë aksidentalisht nga vegla duke ju lënduar juve ose personin pranë jush.

▲KUUJDES: Mos e vendosni me forcë kutinë e baterisë. Nëse kutia nuk hyn lehtë, nuk po e futni siç duhet.

Treguesi i kapacitetit të mbetur të baterive

Shtypni butonin e kontrollit në kutinë e baterisë për të treguar kapacitetin e mbetur të baterisë. Llambat treguese ndizen për pak sekonda.

► **Fig.2:** 1. Llambat treguese 2. Butoni i kontrollit

Llambat treguese			Kapaciteti i mbetur
Ndezur	Fikur	Duke pulsuar	
■	□	▣	75% deri 100%
■ ■ ■ ■			50% deri 75%
■ ■	□ □		25% deri 50%
■	□ □ □ □		0% deri 25%
▣	□ □ □ □		Ngarkojeni baterinë.
■ ■	□ □	↑ ↓	Llambushka mund të ketë keqfunksionuar.

SHËNIM: Në varësi të kushteve të përdorimit dhe të temperaturës së ambientit, treguesi mund të ndryshojë paksa nga kapaciteti aktual.

SHËNIM: Llamba e parë e treguesit (në fund majtas) do të pulsojë kur sistemi i mbrojtjes së baterisë është në punë.

Sistemi i mbrojtjes së veglës/baterisë

Vegla është e pajisur me një sistem të mbrojtjes së veglës/baterisë. Ky sistem ndërpret automatikisht energjinë në motor për të zgjatur jetëgjatësinë e veglës dhe baterisë. Vegla do të ndalojë automatikisht gjatë punës nëse vegla ose bateria janë vendosur sipas një prej kushteve të mëposhtme:

Mbrojtja nga mbingarkesa

Kur bateria vihet në punë në një mënyrë që e bën atë të tërheqë një korrent më të lartë nga normalja, vegla fiket automatikisht pa dhënë asnjë shenjë. Në këtë situatë, fikeni veglën dhe ndaloni punën që shkaktoi mbingarkesën e veglës. Pastaj ndizen veglën për ta rinisur.

Mbrojtja ndaj mbinxehjes

Kur vegla ose bateria është mbinxehur, vegla ndalon automatikisht dhe llamba pulson. Në këtë rast, lëreni veglën dhe baterinë të ftohet përpara se ta ndizni sërish.

Mbrojtja nga mbishkarkimi

Kur kapaciteti i baterisë nuk është i mjaftueshëm, vegla ndalon automatikisht. Në këtë rast, hiqeni baterinë nga vegla dhe ngarkojeni.

Mbrojtjet nga shkaqe të tjera

Sistemi i mbrojtjes është menduar edhe për shkaqe të tjera që mund ta dëmtojnë veglën dhe i lejon veglës të ndalojë automatikisht. Ndërmerni të gjitha hapat e mëposhtëm për të zgjidhur rastet, kur vegla ka arritur në ndalim të përkohshëm apo ndërprerje të punës.

1. Fikeni veglën dhe pastaj rindizeni për të rifilluar.
2. Karikoni bateritë ose ndërrojini me bateri të karikuara.
3. Lëreni veglën dhe bateritë të ftohen.

Nëse nuk vini re ndonjë përmirësim me rivendosjen e sistemit të mbrojtjes, kontaktoni qendrën vendore të shërbimit të Makita.

Përzgjedhja e veprimit të prerjes

Kjo vegël mund të vihet në punë për veprime prerjeje në formë eliptike ose vijë të drejtë (lart dhe poshtë). Veprimi eliptik i prerjes e shtyn tehun e sharrës për punime në forma përpara dhe rrit shpejtësinë e prerjes.

► **Fig.3:** 1. Leva e ndryshimit të veprimit të prerjes

Për të ndryshuar veprimin e prerjes, rrotulloni levën për ndryshimin e veprimit të prerjes në pozicionin e dëshiruar të veprimit të prerjes. Referojuni tabelës për të përzgjedhur veprimin e përshtatshëm të prerjes.

Pozicioni	Prerja	Përdorimet
0	Prerja në vijë të drejtë	Për prerjen e çelikut të butë, inoksit dhe plastikeve. Për prerje të pastra në dru dhe kompensatë.
I	Prerja në orbitë të vogël	Për prerjen e çelikut të butë, aluminit dhe drurit të fortë.
II	Prerja në orbitë të mesme	Për prerjen e drurit dhe të kompensatës. Për prerje të shpejtë në alumin dhe çelik të butë.
III	Prerja në orbitë të madhe	Për prerje të shpejtë në dru dhe kompensatë.

Ndezja e llambës së përparme

▲KUJDES: Mos e shikoni direkt dritën ose burimin e dritës.

Shtypni çelësin e kyçjes për të ndezur llambën. Shtypni sërish çelësin e kyçjes për të fikur llambën.

► **Fig.4:** 1. Çelësi i kyçjes 2. Llamba

VINI RE: Kur vegla mbinxehet, llamba pulson. Lëreni veglën që të ftohet plotësisht përpara se ta përdorni sërish.

SHËNIM: Përdorni një leckë të thatë për të fshirë papastërtitë nga lentet e llambës. Bëni kujdes të mos gërvishni lentet e llambës, në të kundërt ajo do të ulë ndriçimin.

Veprimi i ndërrimit

Për ta ndezur veglën, shtypni çelësin e kyçjes. Vegla ndizet në regjimin e gatishmërisë. Për të nisur veglën, shtypni çelësin ON/të gatishmërisë në regjimin e gatishmërisë. Për ta ndaluar veglën, shtypni sërish çelësin ON/të gatishmërisë. Vegla ndizet në regjimin e gatishmërisë. Për të fikur veglën, shtypni çelësin e kyçjes në regjimin e gatishmërisë.

► **Fig.5:** 1. Çelësi i kyçjes 2. Çelësi ON/i gatishmërisë

SHËNIM: Nëse vegla lihet 10 sekonda pa u përdorur në regjim gatishmërie, vegla fiket automatikisht dhe llamba fiket.

SHËNIM: Veglën mund ta ndaloni dhe ta fikni gjithashtu duke shtypur çelësin e kyçjes gjatë kohës që vegla është në punë.

Për të ulur ndriçimin e llambës, shtypni dhe mbani çelësin e kyçjes kur e ktheni në regjimin e gatishmërisë. Rreth 1 sekondë pasi të filloni shtypjen e çelësit të kyçjes, ndriçimi i llambës do të fillojë të bjerë, ndaj lëshojeni çelësin e kyçjes kur arrini ndriçimin e dëshiruar. E kthen edhe veglën në regjim gatishmërie. Rreth 3 sekonda pasi të filloni shtypjen e çelësit të kyçjes, ndriçimi i llambës do të minimizohet dhe ndriçimi nuk do të ndryshojë pas kësaj.

SHËNIM: Ndriçimi i llambës nuk mund të rregullohet kur vegla është në regjim gatishmërie. Fikeni veglën për të ulur ndriçimin e llambës.

SHËNIM: Nuk ka funksion memorieje për ndriçimin e llambës. Nëse e fikni llambën dhe pastaj e ndizni, ndriçimi i llambës do të maksimizohet çdo herë.

Disku i rregullimit të shpejtësisë

► **Fig.6:** 1. Disku i rregullimit të shpejtësisë

Shpejtësia e veglës mund të rregullohet duke rrotulluar diskun e rregullimit të shpejtësisë. Mund të caktoni shpejtësinë më të lartë në 6 dhe shpejtësinë më të ulët në 1.

Referojuni tabelës për të përzgjedhur shpejtësinë e duhur për materialin që do të pritët. Megjithatë, shpejtësia e përshtatshme mund të ndryshojë sipas llojit ose trashësisë së materialit. Në përgjithësi shpejtësia më e lartë ju lejon që t'i prisni materialet më shpejt, por në këtë mënyrë jetëgjatësia e shërbimit të tehut të sharrës për punime në forma do të ulët.

Materiali i punës	Numri
Dru	4 - 6
Çelik i butë	3 - 6
lnoks	3 - 4
Alumin	3 - 6
Plastikë	1 - 4

VINI RE: Disku rregullues i shpejtësisë mund të kthehet vetëm deri në 6 dhe sërish në 1. Mos ushtroni forcë pas 6 ose 1, ose funksioni i rregullimit të shpejtësisë mund të mos funksionojë më.

Funksioni elektronik

Vegla është e pajisur me funksione elektronike për përdorim të lehtë.

Nisja e butë

Funksioni i nisjes së butë minimizon tronditjen gjatë nisjes dhe bën që vegla të nisët pa probleme.

Kontrolli i shpejtësisë konstante

Kontrolli elektronik i shpejtësisë për të përfutur një shpejtësi konstante. Është e mundur marrja e rezultateve të mira, sepse shpejtësia e rrotullimit mbahet konstante, madje edhe në kushte kur vegla është e ngarkuar.

Rrotullim i butë pa ngarkesë

Kur disku rregullohet i shpejtësisë është vendosur në pozicionin "3" ose më lart, vegla redukton automatikisht shpejtësinë pa ngarkesë për të reduktuar dridhjen dhe drejtuar me lehtësi tehu e sharrës për punime në forma me vijën prerëse. Pasi vegla fillon prerjen e materialit të punës, shpejtësia e saj rritet dhe arrin shpejtësinë paravendosur.

SHËNIM: Kur temperatura është e ulët, ky funksion mund të mos jetë i disponueshëm. Ky funksion mund të mos ofrohet në varësi të llojit të materialit.

SHËNIM: Nëse shpejtësia nuk ulet pas prerjes së materialit të punës, fikeni veglën dhe ndizeni sërish.

Aktivizimi ose çaktivizimi i funksionit të rrotullimit të butë pa ngarkesë

Për të aktivizuar ose çaktivizuar funksionin e rrotullimit të butë pa ngarkesë, ndiqni hapat e mëposhtëm.

1. Sigurohuni që vegla të jetë e fikur.
2. Vendoseni diskun e rregullimit të shpejtësisë në "1".
3. Shtypni çelësin e kyçjes për të ndezur veglën.
4. Vendosni diskun e rregullimit të shpejtësisë në "6" dhe më pas vendoseni sërish në "1".

Llamba pulson dy herë kur çaktivizohet apo aktivizohet funksioni i rrotullimit pa ngarkesë. Për ta aktivizuar ose çaktivizuar këtë funksion, kryeni të njëjtën procedurë sërish.

SHËNIM: Nëse funksioni i rrotullimit të butë pa ngarkesë çaktivizohet, llamba pulson dy herë kur vegla fiket.

SHËNIM: Gjithashtu mund ta aktivizoni ose çaktivizoni funksionin e rrotullimit pa ngarkesë duke ndryshuar diskun e rregullimit të shpejtësisë në "6" - "1" - "6".

Freni elektrik

Kjo vegël është pajisur me fren elektrik. Nëse vegla vazhdimisht nuk arrin të ndalojë me shpejtësi pasi lëshohet këmbëza e çelësit, dërgojeni veglën për shërbim te një qendër shërbimi Makita.

MONTIMI

▲KUJDES: Sigurohuni gjithmonë që vegla të jetë e fikur dhe kutia e baterisë të jetë hequr përpara se të kryeni ndonjë punë në vegël.

Instalimi ose heqja e tehut të sharrës për punime në forma

▲KUJDES: Pastroni gjithmonë të gjitha ashklat ose lëndët e huaja që ngjitin në tehun e sharrës për punime në forma dhe/ose në mbajtësen e tehut. Moskryerja e këtij veprimi mund të rezultojë në shtrëngimin e pamjaftueshëm të tehut të sharrës për punime në forma, duke çuar në lëndim të rëndë të personit.

▲KUJDES: Mos e prekni tehun e sharrës për punime në forma apo materialin e punës menjëherë pas kryerjes së punës. Ato mund të jenë jashtëzakonisht të nxehta dhe mund t'ju djegin lëkurën.

▲KUJDES: Fiksojeni gjithmonë fort tehun e sharrës për punime në forma. Shtrëngimi i pamjaftueshëm i tehut të sharrës për punime në forma mund të shkaktojë thyerje të tehut ose lëndim të rëndë të personit.

▲KUJDES: Kur hiqni tehun e sharrës për punime në forma, kini kujdes të mos lëndoni gishtat me pjesën e sipërme të tehut të sharrës për punime në forma ose me majat e materialit të punës.

Përpara instalimit të tehut të sharrës për punime në forma, sigurohuni që leva e shtrënguesit të tehut të jetë në pozicionin e liruar.

Për të instaluar tehun e sharrës për punime në forma, futeni (me dhëmbët drejtuar përpara) në mbajtësen e tehut derisa të fiksohet. Leva e shtrënguesit të tehut të sharrës për punime në forma lëviz vetë në pozicionin e fiksuar dhe fiksohet në vend. Sigurohuni që pjesa e pasme e tehut të sharrës për punime në forma të përshtatet në cilindër. Tërhiqeni tehun e sharrës për punime në forma për t'u siguruar që të mos shkëputet gjatë punës.

► **Fig.7:** 1. Leva e shtrënguesit të tehut të sharrës për punime në forma (pozicioni i fiksuar) 2. Leva e shtrënguesit të tehut të sharrës për punime në forma (pozicioni i liruar)

► **Fig.8:** 1. Mbajtësja e tehut të sharrës për punime në forma 2. Leva e shtrënguesit të tehut të sharrës për punime në forma (pozicioni i liruar) 3. Fleta e sharrës për punime në forma 4. Cilindri

▲KUJDES: Mos e hapni hapësen e veglës më tepër nga sa duhet përndryshe mund të dëmtohet vegla.

Për ta hequr tehun e sharrës për punime në forma, hapni hapësen e veglës përpara deri në fund. Kjo bën të mundur lirimin e tehut të sharrës për punime në forma.

► **Fig.9:** 1. Mbajtësja e tehut të sharrës për punime në forma 2. Hapësja e veglës 3. Fleta e sharrës për punime në forma

SHËNIM: Në rasant se është e vështirë ta hiqni tehun e sharrës për punime në forma:

Kthejeni levën e ndryshimit të veprimit të prerjes në pozicionin "III" dhe ndizeni lehtë veglën disa herë në mënyrë që mbajtësja e tehut të sharrës për punime në forma të kalojë poshtë.

Sigurohuni që leva e shtrënguesit të tehut të sharrës për punime në forma të jetë në pozicionin e fiksuar kur e ndizni veglën.

Hiqni kutinë e baterisë nga vegla përpara instalimit ose heqjes së tehut të sharrës për punime në forma.

SHËNIM: Lubrifikoni cilindrin herë pas here.

Ruajtja e çelësit heksagonal

Kur nuk e keni në përdorim, çelësin heksagonal ruajeni siç tregohet në figurë që mos t'ju humbë.

► **Fig.10:** 1. Baza 2. Çelësi fiso heksagonal

Pllaka e mbulimit

Përdorni pllakën e mbulimit kur prisni rimeso dekorative, plastikë, etj. Ajo mbron sipërfaqet delikate nga dëmtimi. Përshtateni në fundin e bazës së veglës.

► **Fig.11:** 1. Pllaka e mbulimit 2. Baza

Pajisja kundër ciflave

▲KUJDES: Pajisja kundër ciflave nuk mund të përdoret kur kryeni prerje me kënd.

Për prerje pa cifla mund të përdoret pajisja kundër ciflave. Për të instaluar pajisjen kundër ciflave shtyjeni bazën përpara deri në fund dhe përshtateni nga fundi i bazës së veglës.

Kur përdorni pllakën e mbulimit, instalojeni pajisjen kundër ciflave në pllakën e mbulimit.

► **Fig.12:** 1. Baza 2. Pajisja kundër ciflave

Heqja e pluhurave

Aksesorë opsionalë

Hundëza për pluhurin rekomandohet për të kryer prerje të pastra.

Për të montuar hundëzën e pluhurit në vegël, fusni grepin e hundëzës së pluhurit në vrimën në bazë.

► **Fig.13:** 1. Hundëza e pluhurit 2. Baza

Për ta fiksuar hundëzën e pluhurit, shtrëngoni vidën mbërthyesë në pjesën e përparme të hundëzës së pluhurit. Hundëza e pluhurit mund të instalohet në anën e majtë ose të djathtë të bazës.

► **Fig.14:** 1. Vida shtrënguese

Më pas lidhni një fshesë me korrent Makita me hundëzën e pluhurit.

► **Fig.15:** 1. Hundëza e pluhurit 2. Tubi për fshesën me korrent

PËRDORIMI

▲KUJDES: Mbajeni gjithmonë bazën ngjitur me materialin. Moskryerja e këtij veprimi mund të thyejë teahun e sharrës për punime në forma duke shkakuar lëndim të rëndë.

▲KUJDES: Afrojeni veglën me ngadalë kur bëni prerje me këthesa ose gdhendje. Shtyrja e veglës me forcë mund të shkaktojë një sipërfaqe me prerje të pjerrët dhe thyerje të tehut të sharrës për punime në forma.

Ndizeni veglën ndërkohë që tehu i sharrës për punime në forma nuk është në kontakt me materialin dhe prisni derisa tehu të marrë shpejtësi të plotë. Më pas vendoseni bazën rrafsh mbi materialin e punës dhe lëvizeni veglën me ngadalë përpara përgjatë vijës së prerjes të shënuar paraprakisht.

► Fig.16: 1. Vija e prerjes 2. Baza

Prerje me buzë

▲KUJDES: Përpara animit të bazës, sigurohuni gjithmonë që vegla të jetë e fikur dhe kutia e baterisë të jetë hequr.

Me bazën të anuar, ju mund të bëni prerje me kënd nga 0° deri në 45° (majtas ose djathtas).

► Fig.17

Për ta anuar bazën, lironi bulonin në fundin e bazës me anë të një çelësi heksagonal. Lëvizeni bazën në mënyrë të tillë që buloni të pozicionohet në qendër të kanalit në bazë.

► Fig.18: 1. Çelësi heksagonal 2. Buloni 3. Baza

Anoni bazën derisa të arrini këndin e dëshiruar të buzëve. Dhëmbëza në formë V-je e dhomës së ingranazhit tregon këndin e buzëve me gradim. Më pas shtërngoni fort bulonin për të siguruar bazën.

► Fig.19: 1. Foleja e gdhendur 2. Baza 3. Buloni 4. Gradimet 5. Dhëmbëza në formë V-je 6. Foleja e ingranazheve

Prerje me pjesën e përparme të puthitur

Lironi bulonin në fundin e bazës me anë të çelësit heksagonal dhe rreshqitni bazën nga pas deri në fund. Më pas shtërngoni bulonin për të siguruar bazën.

► Fig.20: 1. Çelësi fiso heksagonal 2. Buloni 3. Baza

Prerje e pjesshme

Prerjet e pjesshme mund të bëhen sipas njëres prej dy metodave: "Shpimi i një vrime fillestare" ose "Prerje me temperim".

Shpimi i një vrime fillestare

Për një prerje të pjesshme të brendshme pa prerje hyrëse në anë, shpini paraprakisht një vrime fillestare me diametër 12 mm ose më shumë. Futeni teahun e sharrës për punime në forma në këtë vrime për të nisur prerjen.

► Fig.21

Prerje me temperim

Nuk është nevoja që të shpini një vrime fillestare ose të bëni një prerje hyrëse nëse bëni me kujdes veprimet e mëposhtme.

► Fig.22

1. Anoni veglën nga lart me anën e përparme të bazës dhe majën e tehut të sharrës për punime në forma të pozicionuar mbi sipërfaqen e materialit të punës.
2. Ushtroni presion mbi vegël në mënyrë që ana e përparme e bazës të mos lëvizë kur të ndizni veglën dhe ulni me ngadalë skajin fundor të veglës.
3. Ndërkohë që tehu i sharrës për punime në forma shpon materialin, ulni me ngadalë bazën e veglës mbi sipërfaqen e materialit të punës.
4. Përfundoni prerjen në mënyrë normale.

Përfundimi i skajeve anësore

Për të prerë skajet anësore ose për të bërë rregullime dimensionale, kalojeni teahun e sharrës për punime në forma lehtësisht te anët e prera.

► Fig.23

Prerja e metaleve

Përdorni gjithmonë një ftohës të përshtatshëm (vaj prerjeje) kur prisni metal. Moskryerja e këtij veprimi do ta konsumojë shumë teahun e sharrës për punime në forma. Pjesa e poshtme e materialit të punës mund të lyhet me graso në vend të ftohësit.

Riga drejtuese

Aksesorë opsionalë

▲KUJDES: Përpara instalimit ose heqjes së aksesorëve, sigurohuni gjithmonë që vegla të jetë e fikur dhe kutia e baterisë të jetë hequr.

Prerjet e drejta

Kur prisni vazhdimisht gjerësi prej 160 mm ose më pak, përdorimi i planit lëvizës siguron prerje të shpejta, të pastra dhe të drejta.

► Fig.24: 1. Kufizues (vizore udhëzuese)

Për të instaluar planin lëvizës futeni në vrime drejtëkëndore në anë të bazës së veglës me udhëzuesin e planit të drejtuar poshtë. Rrëshqitni planin lëvizës në pozicionin e dëshiruar për gjerësinë e prerjes, më pas shtërngoni bulonin për ta siguruar.

► Fig.25: 1. Çelësi heksagonal 2. Buloni 3. Udhëzuesi i planit 4. Kufizues (vizore udhëzuese)

Prerjet rrethore

Kur bëni prerje në formë qarkore ose harku me rreze 170 mm ose më pak, instaloni planin lëvizës si më poshtë.

► Fig.26: 1. Kufizues (vizore udhëzuese)

▲KUJDES: Mos e prekni majën e kunjit të udhëzuesit rrethor. Maja e mprehtë e kunjit të udhëzuesit rrethor mund të shkaktojë lëndime.

1. Fusni planin lëvizës në vrimën drejtkëndore në anë të bazës së veglës me udhëzuesin e planit të drejtuar lart.

2. Fusni kunjën e rrumbullakët udhëzues në një nga dy vrimat në udhëzuesin e planit. Vidhosni çelësin e filetuar në kunjën e rrumbullakët udhëzues për të siguruar kunjën e rrumbullakët udhëzues.

► **Fig.27:** 1. Çelësi i filetuar 2. Udhëzuesi i planit 3. Kufizues (vizore udhëzuese) 4. Kunji i rrumbullakët udhëzues 5. Buloni

3. Rrëshqitni planin lëvizës në rrezen e dëshiruar të prerjes dhe shtrëngoni bulonin për ta siguruar.

SHËNIM: Përdorni gjithmonë tehe sharre për punim në forma nr. B-17, B-18, B-26 ose B-27 kur bëni prerje në formë rrethi ose harku.

Grupi i përshtatësive të shinës udhëzuese

Aksesor opsional

Kur bëni prerje paralele dhe me gjerësi uniforme ose prerje të drejta, përdorni shinën udhëzuese dhe përshtatësi të shinës udhëzuese do të sigurojë prerje të shpejta dhe të pastra. Për të instaluar përshtatësin e shinës udhëzuese, fusni shufrën e rregullimit në vrimën katrore të bazës deri në fund. Siguroni bulonin fort me çelësin heksagonal.

► **Fig.28:** 1. Çelësi heksagonal 2. Shufra e rregullimit 3. Buloni

Fusni shufrën e rregullimit në vrimën katrore të përshtatësive të shinës udhëzuese dhe sigurojeni vidën mirë. Vendosni përshtatësin e shinës udhëzuese në shinën udhëzuese.

► **Fig.29:** 1. Përshtatësi i shinës udhëzuese 2. Shina udhëzuese 3. Vida

VINI RE: Përdorni gjithmonë tehet e sharrës për punim në forma n.r B-8, B-13, B-16, B-17 ose 58 kur përdorni shinën udhëzuese dhe përshtatësin e shinës udhëzuese.

MIRËMBAJTJA

▲KUJDES: Sigurohuni gjithmonë që vegla të jetë fikur dhe të jetë hequr nga bateria përpara se të kryeni inspektimin apo mirëmbajtjen.

VINI RE: Mos përdorni kurrë benzinë, benzinë pastrimi, hollues, alkool dhe të ngjashme. Mund të shkaktoni çngjyrosje, deformime ose krisje.

Për të ruajtur SIGURINË dhe QËNDRUESHMËRINË, riparimet dhe çdo mirëmbajtje apo rregullim tjetër duhen kryer nga qendrat e autorizuar të shërbimit ose të shërbimit të fabrikës të Makita-s, duke përdorur gjithnjë pjesë këmbimi të Makita-s.

AKSESORË OPSIONALE

▲KUJDES: Këta aksesore ose shtojca rekomandohen për përdorim me veglën Makita të përcaktuar në këtë manual. Përdorimi i aksesoreve apo shtojcave të tjera ndryshe nga këto mund të përbëjë rrezik lëndimi. Aksesorët ose shtojcat përdorini vetëm për qëllimin e tyre të përcaktuar.

Nëse keni nevojë për më shumë të dhëna në lidhje me aksesorët, pyesni qendrën vendore të shërbimit të Makita-s.

- Fletët e sharrës për punime në forma
- Çelës heksagonal 4
- Grupi i planit lëvizës (rigë udhëzues)
- Grupi i përshtatësive të shinës udhëzuese
- Grupi i shinës udhëzuese
- Pajisja kundër cillave
- Pllaka e mbulimit
- Montimi i hundezës së pluhurit
- Bateria dhe ngarkues origjinal Makita

SHËNIM: Disa artikuj të listës mund të përfshihen në paketën e veglës si aksesore standardë. Ato mund të ndryshojnë nga njëri shtet në tjetrin.

СПЕЦИФИКАЦИИ

Модел:	JV001G	
Работен ход	26 мм	
Работни движения в минута	800 – 3 500 мин ⁻¹	
Тип нож	Тип В	
Макс. размери на рязане	Дърво	135 мм
	Мека стомана	10 мм
	Алуминий	20 мм
Обща дължина (с BL4025)	283 мм	
Номинално напрежение	Постоянно напрежение 36 V – 40 V макс.	
Нето тегло	2,6 – 2,9 кг	

- Поради нашата непрекъсната научно-развойна дейност посочените тук спецификации могат да бъдат променени без предизвестие.
- Спецификациите може да са различни в различните държави.
- Теглото може да се различава в зависимост от принадлежността(ите), включително акумулаторната батерия. Най-леката и най-тежката комбинация в съответствие с процедурата на EPTA 01/2014 са показани в таблицата.

Приложима акумулаторна батерия и зарядно устройство

Акумулаторна батерия	BL4020 / BL4025 / BL4040
Зарядно устройство	DC40RA / DC40RB / DC40RC

- Някои от акумулаторните батерии и зарядните устройства, посочени по-горе, може да не са налични в зависимост от региона на местоживеене.

▲ ПРЕДУПРЕЖДЕНИЕ: Използвайте само посочените по-горе акумулаторни батерии и зарядни устройства. Използването на други акумулаторни батерии и зарядни устройства може да причини нараняване и/или пожар.

Предназначение

Инструментът е предназначен за рязане на дърво, пластмасата и метали.

Шум

Обичайното ниво на шума с тегловен коефициент A, определено съгласно EN62841-2-11:
 Ниво на звуково налягане (L_{pA}): 87 dB(A)
 Ниво на звукова мощност (L_{WA}): 98 dB(A)
 Коефициент на неопределеност (K): 3 dB(A)

ЗАБЕЛЕЖКА: Обявената(ите) стойност(и) на шумовите емисии $e(sa)$ измерена(и) в съответствие със стандартни методи за изпитване и може да се използва(т) за сравняване на инструменти.

ЗАБЕЛЕЖКА: Обявеното(ите) стойност(и) на шумови емисии може да се използва(т) също и за предварителна оценка на вредното въздействие.

▲ ПРЕДУПРЕЖДЕНИЕ: Използвайте предпазни средства за слуха.

▲ ПРЕДУПРЕЖДЕНИЕ: Нивото на шума при работа с електрическия инструмент може да се различава от обявената(ите) стойност(и) в зависимост от начина на използване на инструмента, по-специално какъв детайл се обработва.

▲ ПРЕДУПРЕЖДЕНИЕ: Задължително определете предпазни мерки за защита на оператора въз основа на оценка на риска в реални работни условия (като се вземат предвид всички етапи на работния цикъл, като например момента на изключване на инструмента, работата на празен ход, както и времето на задействане).

Вибрации

Общата стойност на вибрациите (сума от три осови вектора), определена съгласно EN62841-2-11:

Работен режим: рязане на дъски

Ниво на вибрациите ($a_{h,v}$): 4,6 m/s^2

Коефициент на неопределеност (K): 2,5 m/s^2

Работен режим: рязане на ламарина

Ниво на вибрациите ($a_{h,v}$): 4,8 m/s^2

Коефициент на неопределеност (K): 1,5 m/s^2

ЗАБЕЛЕЖКА: Обявената(ите) обща(и) стойност(и) на вибрациите $e(sa)$ измерена(и) в съответствие със стандартни методи за изпитване и може да се използва(т) за сравняване на инструменти.

ЗАБЕЛЕЖКА: Обявената(ите) обща(и) стойност(и) на вибрациите може да се използва(т) също и за предварителна оценка на вредното въздействие.

▲ ПРЕДУПРЕЖДЕНИЕ: Нивото на вибрациите при работа с електрическия инструмент може да се различава от обявената(ите) стойност(и) в зависимост от начина на използване на инструмента, по-специално какъв детайл се обработва.

▲ ПРЕДУПРЕЖДЕНИЕ: Задължително определете предпазни мерки за защита на оператора въз основа на оценка на риска в реални работни условия (като се вземат предвид всички етапи на работния цикъл, като например момента на изключване на инструмента, работата на празен ход, както и времето на задействане).

Декларации за съответствие

Само за европейските страни

Декларациите за съответствие са включени в Анекс А към тази инструкция за употреба.

ПРЕДУПРЕЖДЕНИЯ ЗА БЕЗОПАСНОСТ

Общи предупреждения за безопасност при работа с електрически инструменти

▲ ПРЕДУПРЕЖДЕНИЕ Прочетете всички предупреждения, инструкции, илюстрации и спецификации за безопасност, предоставени с този електрически инструмент. При неспазване на изброените по-долу инструкции има опасност от токов удар, пожар и/или тежко нараняване.

Запазете всички предупреждения и инструкции за справка в бъдеще.

Терминът "електрически инструмент" в предупрежденията се отнася за вашия инструмент (с кабел за включване в мрежата) или работещ на батерии (безжичен) електрически инструмент.

Предупреждения за безопасна работа с акумулаторен прободен трион

1. **Дръжте електрическия инструмент за изолираните и нехлъзгави повърхности, когато има опасност режещият елемент да допре скрити кабели.** Ако режещият елемент докосне проводник под напрежение, токът може да премине през металните части на електрическия инструмент и да „удари“ работещия.
2. **Използвайте стяги или друг практичен способ за закрепване на работния детайл върху стабилна повърхност.** Ако държите детайла в ръка или притиснат към тялото Ви, той няма да е стабилен и може да загубите контрол.
3. **Винаги ползвайте защитни очила.** Обикновените или слънчеви очила НЕ са защитни очила.
4. **Не режете гвоздеи.** Огледайте обработвания детайл за гвоздеи и ги махнете, преди да пристъпите към работа.
5. **Не режете прекалено големи детайли.**
6. **Проверете дали има достатъчно свободно пространство около детайла, преди да го режете, тъй че ножът за прободен трион да не удари в пода, в тезгяха и т.н.**
7. **Дръжте инструмента здраво.**
8. **Преди да включите превключвателя, се уверете, че ножът за прободен трион не е в контакт с детайла.**
9. **Дръжете ръцете си далеч от подвижните части.**
10. **Не оставяйте инструмента да работи без надзор.** Инструментът трябва да работи само когато го държите с ръце.
11. **Изключете инструмента и изчакайте ножът за прободен трион да спре да се движи напълно, преди да го извадите от обработвания детайл.**
12. **Не докосвайте ножа за прободен трион или обработвания детайл непосредствено след работа, защото е възможно да са много горещи и да изгорят кожата ви.**
13. **Не оставяйте инструмента да работи излишно на празен ход.**
14. **Някои материали съдържат химикали, които е възможно да са токсични.** Вземете предпазни мерки, за да предотвратите вдихването на прах и контакта му с кожата. Следвайте информацията на доставчика за безопасната работа с материала.
15. **Винаги ползвайте маска за прах или дихателен апарат, съответстващ на материала и уреда, с който работите.**

ЗАПАЗЕТЕ НАСТОЯЩИТЕ ИНСТРУКЦИИ.

▲ ПРЕДУПРЕЖДЕНИЕ: НЕ позволявайте комфорта от познаването на продукта (придобит при дългата му употреба) да замени стриктното спазване на правилата за безопасност за въпросния продукт. **НЕПРАВИЛНАТА УПОТРЕБА** и неспазването на правилата за безопасност, посочени в настоящото ръководство за експлоатация, могат да доведат до тежки наранявания.

Важни инструкции за безопасност за акумулаторната батерия

1. Преди да използвате акумулаторната батерия, прочетете всички инструкции и предупредителни маркировки на (1) зарядното устройство за батериите, (2) за батериите и (3) за използващия батериите продукт.
2. Не разглобявайте и не променяйте акумулаторната батерия. Това може да предизвика пожар, прегряване или взрив.
3. Ако мощността на машината намалее много, веднага спрете да работите. Това може да доведе до риск от прегряване, до възможни изгаряния и даже до експлозии.
4. Ако в очите ви попадне електролит, изплакнете ги с чиста вода и веднага потърсете лекарска помощ. Това може да доведе до загуба на зрението ви.
5. Не давайте на късо акумулаторните батерии:
 - (1) Не докосвайте клемите с проводими материали.
 - (2) Избягвайте съхраняването на акумулаторните батерии в контейнер с други метални предмети като пирони, монети и други подобни.
 - (3) Не излагайте акумулаторните батерии на вода или дъжд.Закъсяването на акумулаторна батерия може да доведе до протичане на много силен ток, до прегряване, до възможни изгаряния и даже до разпадане на батериата.
6. Не съхранявайте и не използвайте инструмент и акумулаторните батерии на места, където температурата може да достигне или надмине 50 °C (122 °F).
7. Не изгаряйте акумулаторните батерии даже и ако те са сериозно повредени или напълно износени. Акумулаторната батерия може да експлодира в огън.
8. Не забивайте пирони, не режете, не смачквайте, не хвърляйте, не изпускате и не удряйте в твърд предмет акумулаторната батерия. Това поведение може да предизвика пожар, прегряване или взрив.
9. Не използвайте повредени акумулаторни батерии.

10. Съдържащите се литиево-йонни акумулаторни батерии са обект на изискванията на законодателството за опасни стоки. При търговски превози, напр. от трети страни, следитори, трябва да се спазват специални изисквания за опаковане и етикетирание. За подготовка на артикула, който трябва да бъде изпратен, е необходима консултация с експерт по опасните материали. Моля, спазвайте и евентуално по-подробните национални разпоредби. Запечатете с лента или покрийте откритите контакти и опаковайте акумулаторната батерия по такъв начин, че да не може да се премества в опаковката.
11. При изхвърляне на акумулаторната батерия я извадете от инструмента и я изхвърлете на подходящо място. Спазвайте местните разпоредби за изхвърляне на акумулаторни батерии.
12. Използвайте батериите само с продуктите, определени от Makita. Поставянето на батериите към неодобрен продукт може да предизвика пожар, прегряване, взрив или изтичане на електролит.
13. Ако инструментът няма да се използва продължително време, батерията трябва да се извади от него.
14. По време на и след употреба акумулаторната батерия може да поеме топлина, която може да причини изгаряния или нискотемпературни изгаряния. Внимавайте, когато боравите с горещите акумулаторни батерии.
15. Не докосвайте клемата на инструмента веднага след употреба, тъй като е възможно да е достатъчно нагрята, за да предизвика изгаряния.
16. Не позволявайте стружки, прах или почва да полепват по клемите, отворите и каналите на акумулаторната батерия. Това може да причини загряване, възникване на пожар, избухване и повреда на инструмента или акумулаторната батерия, което да доведе до изгаряния или телесни наранявания.
17. Освен ако инструментът поддържа използването в близост до високоволтови електропроводи, не използвайте акумулаторната батерия близо до високоволтови електропроводи. Това може да доведе до неизправност или повреда на инструмента или акумулаторната батерия.
18. Пазете батерията от деца.

ЗАПАЗЕТЕ НАСТОЯЩИТЕ ИНСТРУКЦИИ.

▲ ВНИМАНИЕ: Използвайте само оригинални акумулаторни батерии на Makita. При използване на различни от акумулаторните батерии на Makita или стари акумулаторни батерии може да се получи пръскане на акумулаторната батерия, което да доведе до пожар, нараняване или повреда. Това също ще анулира гаранцията на Makita за инструмента и зарядното устройство Makita.

Съвети за поддържане на максимално дълъг живот на акумулаторните батерии

1. Зареждайте акумулаторните батерии, преди те да са се разреждали напълно. Когато забележите, че мощността на инструмента намалява, винаги спирайте работата с инструмента и заредете акумулаторната батерия.
2. Никога не презареждайте напълно заредена акумулаторна батерия. Презарядът скъсява експлоатационния живот на батерията.
3. Зареждайте акумулаторната батерия при стайна температура от 10 °C – 40 °C (50 °F – 104 °F). Оставете загрятите акумулаторни батерии да се охладят, преди да ги зареждате.
4. Когато не използвате акумулаторната батерия, извадете я от инструмента или зарядното устройство.
5. Заредете акумулаторната батерия, ако не сте го използвали дълъг период от време (повече от шест месеца).

ОПИСАНИЕ НА ФУНКЦИИТЕ

⚠ВНИМАНИЕ: Винаги проверявайте дали инструментът е изключен и касетата с акумулаторната батерия е извадена, преди да регулирате или проверявате дадена функция на инструмента.

Поставяне и изваждане на акумулаторната батерия

⚠ВНИМАНИЕ: Винаги изключвайте инструмента преди поставяне или изваждане на акумулаторната батерия.

⚠ВНИМАНИЕ: Когато инсталирате или изваждате акумулаторната батерия, дръжте здраво инструмента и акумулаторната батерия. Ако не държите здраво инструмента и акумулаторната батерия, те могат да се изплъзнат от ръцете ви и да доведат до повреждане на инструмента и акумулаторната батерия или нараняване.

► **Фиг.1:** 1. Червен индикатор 2. Бутон 3. Акумулаторна батерия

За да извадите акумулаторната батерия, я плъзнете извън инструмента, плъзгайки същевременно бутона в предната част на акумулаторната батерия.

За да поставите акумулаторната батерия, изравнете езичето на акумулаторната батерия с жлеба в корпуса и го плъзнете на мястото му. Придвижвайте я по протежението на жлеба, докато не се намести с леко шракване. В случай че виждате червения индикатор, както е показано на фигурата, тя не е фиксирана напълно на мястото си.

⚠ВНИМАНИЕ: Винаги вмъквайте акумулаторната батерия докрай, така че червеният индикатор да се скрие. В противен случай тя може неволно да изпадне от инструмента, което може да нарани вас или някого около вас.

⚠ВНИМАНИЕ: Не инсталирайте акумулаторната батерия със сила. Ако батерията не се движи свободно, тя не е била поставена правилно.

Индикация на оставащия капацитет на акумулаторната батерия

Натиснете бутона за проверка на акумулаторната батерия за показване на оставащия заряд на батерията. Светлинните индикатори ще светнат за няколко секунди.

► **Фиг.2:** 1. Светлинни индикатори 2. Бутон за проверка

Светлинни индикатори			Оставащ заряд на батерията
Свети	Изкл.	Мига	
			75% до 100%
			50% до 75%
			25% до 50%
			0% до 25%
			Заредете батерията.
			Батерията може да не работи правилно.

ЗАБЕЛЕЖКА: В зависимост от условията на употреба и околната температура е възможно показанието леко да се различават от действителния капацитет.

ЗАБЕЛЕЖКА: Първият (краен ляв) светлинен индикатор ще мига, когато системата за защита на батерията функционира.

Система за защита на инструмента / акумулаторната батерия

Инструментът е оборудван със система за защита на инструмента/акумулаторната батерия. Тази система автоматично прекъсва захранването към електромотора, за да осигури по-дълъг живот на инструмента и акумулаторната батерия. Инструментът ще спре автоматично по време на работа, ако инструментът или батерията се намират в едно от следните условия:

Защита срещу претоварване

Когато батерията се използва по начин, който води до необичайно висока консумация на ток, инструментът спира автоматично без никаква индикация. В този случай изключете инструмента и преустановете приложението, което претоварва инструмента. След това отново включете инструмента, за да продължите.

Защита срещу прегряване

Ако инструментът или акумулаторната батерия прегреят, той автоматично спира да работи и лампата започва да мига. В този случай оставете инструмента и акумулаторната батерия да изстинат, преди да включите инструмента отново.

Защита срещу прекомерно разреждане

Когато капацитетът на акумулаторната батерия не е достатъчен, инструментът спира автоматично. В този случай извадете батерията от инструмента и я заредете.

Защита срещу други причини

Предпазната система е предназначена и за други причини, които може да повредят инструмента, и позволява автоматичното спиране на инструмента. Изпълнете всички следващи стъпки, за да отстраните причините, когато инструментът е прекъснал временно или спре по време на работа.

1. Изключете инструмента и след това отново го включете.
2. Заредете батерията(ите) или я/ги заменете със заредена(и) батерия(и).
3. Оставете инструмента и батерията(ите) да изстинат.

Ако не бъде постигнато подобрение чрез връщане на предпазната система в изходно положение, се свържете с местния сервизен център на Makita.

Избор на режим на рязане

Този инструмент може да работи в режим на орбитално рязане или в режим на рязане по права линия (нагоре и надолу). Орбиталното рязане тласка ножа за прободен трион напред и увеличава скоростта на рязане.

► **Фиг.3:** 1. Лост за смяна на режима на рязане

За да промените режима на рязане, завъртете лоста за смяна на режима на рязане в позицията на желаните режим на рязане. Вижте таблицата, за да изберете съответния режим на рязане.

Положение	Рязане	Приложения
0	Рязане по права линия	За рязане на мека стомана, неръждаема стомана и пластмаси. За прецизно рязане на дърво и шперплат.
I	Рязане с малка орбита	За рязане на мека стомана, алуминий и твърдо дърво.
II	Рязане със средна орбита	За рязане на дърво и шперплат. За бързо рязане на алуминий и мека стомана.
III	Рязане с широка орбита	За бързо рязане на дърво и шперплат.

Включване на предната лампичка

▲ ВНИМАНИЕ: Не гледайте директно в светлинния източник.

Натиснете блокиращия бутон, за да включите лампата. Натиснете отново блокиращия бутон, за да я изключите.

► **Фиг.4:** 1. Блокиращ бутон 2. Лампа

БЕЛЕЖКА: Когато инструментът е прегрял, лампата мига. Охладете инструмента напълно, преди отново да го използвате.

ЗАБЕЛЕЖКА: Използвайте суха кърпа, за да изчистите полепналата по лупата на лампата мръсотия. Внимавайте да не надраскате лупата на лампата, тъй като това ще влоши осветяването.

Включване

За да включите инструмента, натиснете блокиращия бутон. Инструментът се включва в режим на готовност. За да пуснете инструмента, натиснете бутона за включване/готовност в режим на готовност. За да спрете инструмента, натиснете отново бутона за включване/готовност. Инструментът се включва в режим на готовност. За да изключите инструмента, в режим на готовност натиснете бутона за включване/готовност.

► **Фиг.5:** 1. Блокиращ бутон 2. Бутон за включване/готовност

ЗАБЕЛЕЖКА: Ако инструментът остане в продължение на 10 секунди в режим на готовност, без да работи, той автоматично се изключва и лампата изгасва.

ЗАБЕЛЕЖКА: Освен това можете да спрете и да изключите инструмента, като натиснете блокиращия бутон, докато инструментът работи.

За намаляване яркостта на лампата натиснете и задръжте блокиращия бутон, когато инструментът влиза в режим на готовност. Задръжте натиснат блокиращия бутон и около 1 секунда след това яркостта на лампата ще започне да намалява. Когато достигне желаната от вас яркост, отпуснете блокиращия бутон. Инструментът се връща в режим на готовност. Около 3 секунди след натискането на блокиращия бутон яркостта на лампата ще стане минимална и повече няма да се променя.

ЗАБЕЛЕЖКА: Яркостта на лампата не може да се регулира, докато инструментът е в режим на готовност. Изключете инструмента, за да намалите яркостта на лампата.

ЗАБЕЛЕЖКА: За яркостта на лампата няма предвидена функция за запомняне. Ако лампата се изключи и след това се включи, яркостта на лампата ще бъде максимална.

Пръстен за регулиране на оборотите

► **Фиг.6:** 1. Пръстен за регулиране на оборотите

Оборотите на инструмента могат да се регулират, като се завърти пръстенът за регулиране на оборотите. Най-високи са оборотите в положение 6, а най-ниски – в положение 1.

Вижте таблицата за избор на подходящата скорост в зависимост от обработвания детайл, който ще режете. Все пак подходящата скорост може да се различава в зависимост от вида или дебелината на обработвания детайл. Обикновено по-високите скорости ще ви позволят да режете обработваните детайли по-бързо, но това ще съкрати експлоатационния живот на ножа за прободен трион.

Обработван детайл	Степен
Дърво	4 – 6
Мека стомана	3 – 6
Неръждаема стомана	3 – 4
Алуминий	3 – 6
Пластмаса	1 – 4

БЕЛЕЖКА: Регулаторът на оборотите може да се върти само до 6 и обратно до 1. Не го насилвайте след 6 или 1, за да не повредите функцията за регулиране на оборотите.

Електронна функция

За лесно управление инструментът е оборудван с електронни функции.

Плавно пускане

Функцията за плавно пускане намалява до минимум тласъка при пускане и прави стартирането на инструмента по-плавно.

Управление за постоянна скорост

Електронно управление на скоростта за постигане на постоянна скорост. Възможност за фина обработка на повърхност, благодарение на непрекъснатото поддържане на постоянна скорост на въртене дори при натоварване.

Намаляване на оборотите на празен ход

Когато регулаторът на скоростта е настроен на „3“ или повече, инструментът автоматично намалява скоростта си, когато работи без товар, за да намали вибрациите и за да се подравни по-лесно линията на рязане с ножа за прободен трион. След като инструментът започне да реже обработвания детайл, скоростта се увеличава и достига предварително зададената скорост.

ЗАБЕЛЕЖКА: Ако температурата е ниска, тази функция може да не е налична. Възможно е тази функция да не е налична, което зависи от типа на материала.

ЗАБЕЛЕЖКА: Ако скоростта не се понижи след срязването на работния детайл, изключете инструмента и след това го включете отново.

Деактивиране или активиране на функцията за намаляване на оборотите на празен ход

За да деактивирате или активирате функцията за намаляване на оборотите на празен ход, следвайте следните стъпки.

1. Уверете се, че инструментът е изключен.
2. Поставете пръстена за регулиране на оборотите на положение „1“.
3. Натиснете блокиращия бутон, за да включите инструмента.
4. Завъртете пръстена за регулиране на оборотите на положение „6“, а след това го върнете на „1“.

Лампата примигва двукратно, когато функцията за намаляване на оборотите на празен ход е деактивирана или активирана. За да активирате или деактивирате отново тази функция, изпълнете същата процедура отново.

ЗАБЕЛЕЖКА: Ако функцията за намаляване на оборотите на празен ход е деактивирана, при включване на инструмента лампата примигва двукратно.

ЗАБЕЛЕЖКА: Освен това можете да деактивирате или активирате функцията за намаляване на оборотите на празен ход, като промените показанието на пръстена за регулиране на оборотите от „6“ на „1“ и отново на „6“.

Електрическа спирачка

Този инструмент е оборудван с електрическа спирачка. Ако инструментът неколкократно не успява да спре бързо след освобождаване на пусковия прекъсвач, занесете инструмента за извършване на техническо обслужване в сервизен център на Makita.

СГЛОБЯВАНЕ

⚠ВНИМАНИЕ: Преди да извършите някакви дейности по инструмента, задължително проверете дали той е изключен и акумулаторната батерия е извадена.

Монтаж/демонтаж на ножа за прободен трион

⚠ВНИМАНИЕ: Винаги почиствайте всички стружки или други частици, полепнали по ножа за прободен трион и/или държача на ножа. В противен случай това може да доведе до недостатъчно затягане на ножа за прободен трион и в резултат до сериозно телесно нараняване.

⚠ВНИМАНИЕ: Не докосвайте ножа за прободен трион или обработвания детайл непосредствено след работа. Те могат да бъдат много горещи и да изгорите кожата си.

⚠ВНИМАНИЕ: Винаги закрепвайте здраво ножа за прободен трион. Недостатъчното затягане на ножа за прободен трион може да причини неговото счупване или сериозно нараняване.

⚠ВНИМАНИЕ: Когато отстранявате ножа за прободен трион, внимавайте да не нараните пръстите си с върха на ножа за прободен трион или краищата на обработвания детайл.

Преди да поставите ножа за прободен трион, уверете се, че лостът на скобата на ножа е освободен. За да поставите ножа за прободен трион, пхнете го (със зъбите, насочени напред) в държача на ножа за прободен трион, докато се заключи. Лостът на скобата на ножа за прободен трион се премества в положението за закрепване и нождът се фиксира на място. Уверете се, че задният край на ножа за прободен трион е легнал в ролката. Дръпнете леко ножа за прободен трион, за да се убедите, че той няма да изпадне по време на работа.

► **Фиг.7:** 1. Лост на скобата на ножа за прободен трион (положение за фиксиране) 2. Лост на скобата на ножа за прободен трион (положение за освобождаване)

► **Фиг.8:** 1. Държач на ножа за прободен трион 2. Лост на скобата на ножа за прободен трион (положение за освобождаване) 3. Нож за прободен трион 4. Ролка

⚠ВНИМАНИЕ: Не отваряйте механизма за отваряне твърде много, тъй като инструментът може да се повреди.

За да извадите ножа за прободен трион, отворете механизма за отваряне напред докрай. Това дава възможност за освобождаване на ножа за прободен трион.

► **Фиг.9:** 1. Държач на ножа за прободен трион 2. Механизъм за отваряне 3. Нож за прободен трион

ЗАБЕЛЕЖКА: В случай на затруднения при изваждането на ножа за прободен трион:

Натиснете лоста за смяна на режима на рязане в позиция „II“ и плавно включете инструмента няколко пъти, така че държачът на ножа за прободен трион да се придвижи надолу.

Уверете се, че лостът на скобата на ножа за прободен трион е в положение за фиксиране, когато включвате инструмента.

Отстранете акумулаторната батерия от инструмента, преди да монтирате или премахнете ножа за прободен трион.

ЗАБЕЛЕЖКА: Смазвайте ролката периодично.

Съхранение на шестостенния ключ

За да не изгубите шестостенния ключ, когато не го използвате, поставете го на мястото, показано на фигурата.

► **Фиг.10:** 1. Основа 2. Шестостенен ключ

Покривна плоча

Използвайте покриващата плоча, когато режете декоративни облицовки, пластмаса и др. Тя предпазва от повреда лесно нараними или деликатни повърхности. Прикрепете плочата към долната страна на основата на инструмента.

► **Фиг.11:** 1. Покривна плоча 2. Основа

Устройство срещу образуване на цепнатини

⚠ВНИМАНИЕ: Устройството срещу образуване на цепнатини не може да се използва при рязане под наклон.

За срезове без образуване на цепнатини може да използвате устройството срещу образуване на цепнатини. За да монтирате устройството срещу образуване на цепнатини, придвижете основата на инструмента докрай напред и го монтирайте откъм долната страна на основата на инструмента. Когато използвате покривната плоча, монтирайте устройството срещу образуване на цепнатини върху покривната плоча.

► **Фиг.12:** 1. Основа 2. Устройство срещу образуване на цепнатини

Отвеждане на прахта

Допълнителни аксесоари

За изпълняване на чисто рязане се препоръчва използването на крайника за събиране на праха.

За прикрепване на крайника за събиране на праха към инструмента, вмъкнете куката на крайника в отвора в основата.

► **Фиг.13:** 1. Крайник за събиране на праха 2. Основа

За да се закрепят крайниците за събиране на праха, стегнете притискателния винт на предната страна на крайника за събиране на праха. Крайникът за събиране на праха може да се монтира на лявата или дясната страна на основата.

► **Фиг.14:** 1. Притискателен винт

След това свържете прахосмукачка Makita към крайника за събиране на праха.

► **Фиг.15:** 1. Крайник за събиране на праха
2. Маркуч за прахосмукачка

Експлоатация

⚠ ВНИМАНИЕ: Винаги поддържайте основата, опряна в обработвания детайл. Неспазването на това изискване може да доведе до счупване на ножа за прободен трион, което да предизвика тежко нараняване.

⚠ ВНИМАНИЕ: При рязане на криви или извивки, придвижвайте инструмента напред много бавно. Насилването на инструмента може да предизвика изкривяване на повърхността на среза и счупване на ножа за прободен трион.

Включете инструмента, без ножът за прободен трион да влиза в контакт и изчакайте, докато ножът достигне пълна скорост. След това положете основата хоризонтално върху детайла и внимателно започнете да движите инструмента напред по протежение на предварително отбелязаната линия на рязане.

► **Фиг.16:** 1. Линия на рязане 2. Основа

Рязане под наклон

⚠ ВНИМАНИЕ: Преди да наклоните основата, винаги проверявайте дали инструментът е изключен и акумулаторната батерия е извадена.

С наклонена основа можете да извършвате рязане под наклон между 0° и 45° (наляво или надясно).

► **Фиг.17**

За да наклоните основата, разхлабете болта на долната ѝ страна с помощта на шестостенния ключ. Преместете основата така, че болтът да е позициониран в центъра на отвора за застопоряване под наклон в основата.

► **Фиг.18:** 1. Шестостенен ключ 2. Болт 3. Основа

Наклонете основата до желания ъгъл на наклон. V-образният канал на корпуса на редуктора показва ъгъла на наклона по градуираната скала. След това затегнете здраво болта, за да застопорите основата.

► **Фиг.19:** 1. Отвор за застопоряване под наклон 2. Основа 3. Болт 4. Градуирана скала 5. V-образен канал 6. Корпус на редуктора

Предни подравнени разрези

Разхлабете болта на дъното на основата с шестостенния ключ и плъзнете основата назад докрай. След това затегнете болта, за да застопорите основата.

► **Фиг.20:** 1. Шестостенен ключ 2. Болт 3. Основа

Изрязване на фигури

Изрязване на фигури може да се направи по един от двата начина: „Пробиване на спомагателен отвор“ или „Дълбочинен разрез“.

Пробиване на спомагателен отвор

За изрязване на вътрешни фигури без входен разрез откъм края, предварително пробийте спомагателен отвор с диаметър 12 мм или повече. Вкарайте ножа за прободен трион в този отвор, за да започнете рязането.

► **Фиг.21**

Дълбочинен разрез

Не е необходимо да пробивате спомагателен отвор или правите входен разрез, ако внимателно направите следното.

► **Фиг.22**

1. Повдигнете инструмента на предния край на основната плоча, с ножа за прободен трион разположен непосредствено над повърхността на обработвания детайл.
2. Натиснете леко инструмента, така че предният край на основната плоча да не се придвижи при включване на пусковия превключвател, и внимателно и бавно спуснете задния край на инструмента.
3. Когато ножът за прободен трион проникне в обработвания детайл, бавно спуснете основата на инструмента върху повърхността на изделието.
4. Завършете реза по обичайния начин.

Довършителна обработка на ръбове

За оформяне на краища или промяна на размерите, прокарайте леко ножа за прободен трион по протежение на краищата на среза.

► **Фиг.23**

Рязане на метал

При рязане на метал винаги използвайте подходяща охлаждаща течност (масло за металорежещи машини). Неспазването на това изискване ще причини значително износване на ножа за прободен трион. Вместо използване на смазочно-охлаждаща емулсия е възможно да намажете с грес долната страна на обработвания детайл.

Паралелен ограничител

Допълнителни аксесоари

⚠ВНИМАНИЕ: Преди монтиране или сваляне на принадлежности, винаги проверявайте дали инструментът е изключен и акумулаторната батерия е извадена.

Прави срезове

При извършване на повтарящи се разрези с ширина 160 мм или по-малко, използването на паралелния ограничител осигурява бързина, чистота и праволинейност на срезовете.

► **Фиг.24:** 1. Паралелен ограничител (водач)

За да я монтирате, вкарайте паралелния ограничител в правоъгълния отвор от страни на основата, с обърнат надолу водещ ограничител. Плъзнете паралелния ограничител до желаната ширина на рязане, след което затегнете болта, за да я фиксирате.

► **Фиг.25:** 1. Шестостепенен ключ 2. Болт 3. Водещ ограничител 4. Паралелен ограничител (водач)

Кръгообразни срезове

При извършването на кръгообразни или дъгообразни срезове с радиус 170 мм или по-малко, монтирайте паралелния ограничител както следва.

► **Фиг.26:** 1. Паралелен ограничител (водач)

⚠ВНИМАНИЕ: Не докосвайте върха на щифта на кръговия водач. Острият връх на щифта на кръговия водач може да причини нараняване.

1. Вкарайте паралелния ограничител в правоъгълния отвор от страни на основата, с обърнат нагоре водещ ограничител.
2. Вкарайте щифта на кръговия водач през един от двата отвора на водещия ограничител. Навийте ръкохватката с резба на щифта на кръговия водач, за да го застопорите.
► **Фиг.27:** 1. Ръкохватка с резба 2. Водещ ограничител 3. Паралелен ограничител (водач) 4. Щифт на кръговия водач 5. Болт
3. Плъзнете паралелния ограничител до желания радиус на рязане и стегнете болта, за да застопорите ограничителя.

ЗАБЕЛЕЖКА: При извършване на кръгообразни или дъгообразни срезове винаги използвайте ножове за прободен трион № В-17, В-18, В-26 или В-27.

Комплект адаптер на направляваща релса

Допълнителна принадлежност

При рязане на успоредни и еднакви ширини или при рязане направо използването на направляващата релса и адаптера на направляващата релса ще осигури извършването на бързо и чисто рязане. За да монтирате адаптера на направляващата релса, вкарайте докрай измервателната линейка в правоъгълния отвор на основата. Затегнете болта с шестостепенен ключ.

► **Фиг.28:** 1. Шестостепенен ключ 2. Измервателна линейка 3. Болт

Вкарайте докрай измервателната линейка в правоъгълния отвор на адаптера на направляващата релса и стегнете здраво винта. Поставете адаптера на направляващата релса върху направляващата релса.

- **Фиг.29:** 1. Адаптер на направляваща релса
2. Направляваща релса 3. Винт

БЕЛЕЖКА: При използване на направляващата релса и адаптера на направляваща релса винаги използвайте ножове за прободен трион № В-8, В-13, В-16, В-17 или 58.

ПОДДРЪЖКА

⚠ВНИМАНИЕ: Преди да проверявате или извършвате поддръжка на инструмента, се уверете, че той е изключен и акумулаторната батерия е извадена.

БЕЛЕЖКА: Не използвайте бензин, нафта, разредител, спирт и др. подобни. Това може да причини обезцветяване, деформация или пукнатини.

За да се поддържа БЕЗОПАСНОСТТА и НАДЕЖНОСТТА на продукта, ремонтите, поддръжката или регулирането трябва да се извършват от упълномощен сервиз или фабрични сервизни центрове на Makita, като винаги трябва да използвате резервни части от Makita.

ДОПЪЛНИТЕЛНИ АКСЕСОАРИ

⚠ВНИМАНИЕ: Препоръчва се използването на тези аксесоари или накрайници с вашия инструмент Makita, описан в настоящото ръководство. Използването на други аксесоари или накрайници може да доведе до опасност от телесни повреди. Използвайте съответния аксесоар или накрайник само по предназначение.

Ако имате нужда от помощ за повече подробности относно тези аксесоари, се обърнете към местния сервизен център на Makita.

- Ножове за прободен трион
- Шестограмен ключ 4
- Паралелен ограничител (водач), комплект (с мерни деления)
- Комплект адаптер на направляваща релса
- Комплект направляваща релса
- Устройство срещу образуване на цепнатини
- Покривна плоча
- Механизъм на прахосъбирателната дюза
- Оригинална акумулаторна батерия и зарядно устройство на Makita

ЗАБЕЛЕЖКА: Някои артикули от списъка може да са включени в комплекта на инструмента, като стандартни аксесоари. Те може да са различни в различните държави.

SPECIFIKACIJE

Model:		JV001G
Dužina zamaha		26 mm
Broj udara po minuti		800 – 3.500 min ⁻¹
Vrsta lista pile		Vrsta B
Maks. kapacitet rezanja	Drvo	135 mm
	Meki čelik	10 mm
	Aluminij	20 mm
Ukupna dužina (uz BL4025)		283 mm
Nazivni napon		DC 36 V - 40 V
Neto težina		2,6 – 2,9 kg

- Zahvaljujući našem stalnom programu razvoja i istraživanja, navedene specifikacije podložne su promjenama bez obavijesti.
- Specifikacije mogu biti različite ovisno o zemlji.
- Težina se može razlikovati ovisno o opremi, uključujući baterijski uložak. Najlakša i najteža kombinacija, sukladno postupku EPTA 01/2014, prikazane su u nastavku.

Odgovarajući baterijski uložak i punjač

Baterija	BL4020 / BL4025 / BL4040
Punjač	DC40RA / DC40RB / DC40RC

- Neki od navedenih baterijskih uložaka i punjača možda neće biti dostupni ovisno o regiji u kojoj se nalazite.

⚠ UPOZORENJE: Upotrebjavajte samo navedene baterijske uloške i punjače. Upotreba bilo koje druge vrste baterijskih uložaka i punjača može prouzročiti ozljede i/ili požar.

Namjena

Alat je namijenjen za rezanje drva, metala i plastike.

Buka

Tipična jačina buke označena s A, određena sukladno EN62841-2-11:

Razina tlaka zvuka (L_{pA}): 87 dB (A)

Razina snage zvuka (L_{WA}): 98 dB (A)

Neodređenost (K): 3 dB (A)

NAPOMENA: Deklarirana vrijednost emisije buke izmjerena je prema standardnoj metodi testiranja i može se rabiti za usporedbu jednog alata s drugim.

NAPOMENA: Deklarirana vrijednost emisije buke također se može rabiti za preliminarnu procjenu izloženosti.

⚠ UPOZORENJE: Nosite zaštitu za uši.

⚠ UPOZORENJE: Emisija buke tijekom stvarnog korištenja električnog ručnog alata se može razlikovati od deklariranih vrijednosti emisije, ovisno o načinu na koji se alat rabi, posebice ovisno o tome kakav se izradak izrađuje.

⚠ UPOZORENJE: Nemojte zaboraviti da identifikirate sigurnosne mjere zaštite rukovatelja koje se temelje na procjeni izloženosti u stvarnim uvjetima korištenja (uzimajući u obzir sve dijelove radnog ciklusa, poput vremena kada je alat isključen i kada on radi u praznom hodu, a također i vrijeme okidanja).

Vibracija

Ukupna vrijednost vibracija (troosni vektorski zbir) izračunata u skladu s EN62841-2-11:

Način rada: rezanje daski

Emisija vibracija ($a_{h,s}$): 4,6 m/s²

Neodređenost (K): 2,5 m/s²

Način rada: rezanje lima

Emisija vibracija ($a_{h,m}$): 4,8 m/s²

Neodređenost (K): 1,5 m/s²

NAPOMENA: Deklarirana vrijednost ukupnih vibracija izmjerena je prema standardnoj metodi testiranja i može se rabiti za usporedbu jednog alata s drugim.

NAPOMENA: Deklarirana vrijednost ukupnih vibracija također se može rabiti za preliminarnu procjenu izloženosti.

⚠UPOZORENJE: Emisija vibracija tijekom stvarnog korištenja električnog ručnog alata se može razlikovati od deklariranih vrijednosti emisije, ovisno o načinu na koji se alat rabi, posebice ovisno o tome kakav se izradak izrađuje.

⚠UPOZORENJE: Nemojte zaboraviti da identificirate sigurnosne mjere zaštite rukovatelja koje se temelje na procjeni izloženosti u stvarnim uvjetima korištenja (uzimajući u obzir sve dijelove radnog ciklusa, poput vremena kada je alat isključen i kada on radi u praznom hodu, a također i vrijeme okidanja).

Izjave o sukladnosti

Samo za države članice Europske unije

Izjave o sukladnosti priložene su kao Prilog A ovih uputa za upotrebu.

SIGURNOSNA UPOZORENJA

Opća sigurnosna upozorenja za električne ručne alate

⚠UPOZORENJE Pročitajte sva sigurnosna upozorenja, upute, ilustracije i specifikacije priložene uz ovaj električni alat. Nepridržavanje svih uputa navedenih u nastavku može rezultirati strujnim udarom, požarom i/ili teškim ozljedama.

Sačuvajte sva upozorenja i upute radi kasnijeg korištenja.

Pojam „električni alat“ u upozorenjima odnosi se na električni (kabelski) alat uključen u struju ili na bežične električne alate (na baterije).

Sigurnosna upozorenja za bežičnu ubodnu pilu

1. **Držite električni alat samo za izolirane ruko-hvatne površine** kada izvodite radnju pri kojoj rezni dodatak može doći u dodir sa skrivenim vodičima. Rezni dodatak koji dođe u doticaj s vodičem pod naponom može dovesti pod napon izložene metalne dijelove električnog alata i rukovatelj može pretrpjeti strujni udar.
2. **Koristite stezaljke ili drugi praktičan način za osiguranje i učvršćivanje izratka na stabilnoj platformi.** Držanje izratka rukom ili uz tijelo čini ga nestabilnim i može dovesti do gubitka kontrole.
3. **Uvijek koristite zaštitne naočale.** Obične ili sunčane naočale NISU zaštitne naočale.

4. **Izbjegavajte rezanje čavala.** Prije rada provjerite ima li u izratku bilo kakvih čavala i uklonite ih prije rada.
5. **Nemojte rezati prevelike izratke.**
6. **Prije rezanja provjerite razmak oko izratka** tako da list ubodne pile ne udara u stol, klupicu za rad i slično.
7. **Čvrsto držite alat.**
8. **Prije uključivanja sklopke osigurajte da list ubodne pile ne dodiruje izradak.**
9. **Držite ruke podalje od dijelova koji se kreću.**
10. **Ne ostavljajte alat da radi.** Alatom radite isključivo držeći ga u ruci.
11. **Prije uklanjanja lista ubodne pile s izratka uvijek isključite alat i pričekajte da se list ubodne pile u potpunosti zaustavi.**
12. **Ne dodirujte list ubodne pile i izradak odmah nakon rada;** mogu biti izuzetno vrući i mogli bi vam opeći kožu.
13. **Ne ostavljajte alat da radi bez opterećenja** ako to nije potrebno.
14. **Neki materijali sadrže kemikalije** koje mogu biti toksične. Poduzmite potrebne mjere opreza da biste spriječili udisanje prašine i dodir s kožom. Pročitajte sigurnosno-tehnički list dobavljača materijala.
15. **Uvijek koristite ispravnu masku za prašinu/ respirator sukladno materijalu s kojim radite i vrsti primjene.**

ČUVAJTE OVE UPUTE.

⚠UPOZORENJE: NEMOJTE dozvoliti da udobnost ili znanje o proizvodu (stečeno stalnim korištenjem) zamijene strogo pridržavanje sigurnosnih propisa za određeni proizvod. ZLOUPORABA ili nepridržavanje sigurnosnih propisa navedenih u ovom priručniku s uputama mogu prouzročiti ozbiljne ozljede.

Važne sigurnosne upute za bateriju

1. **Prije uporabe baterije pročitajte sve upute i oznake upozorenja** na (1) punjaču za baterije, (2) bateriji i (3) proizvodu koji koristi bateriju.
2. **Nemojte rastavljati ili izmjenjivati baterijski uložak.** To može dovesti do požara, pretjeranog zagrijavanja ili eksplozije.
3. **Ako se vrijeme rada znatno skratilo, odmah prestanite raditi.** Može doći do pregrijavanja, mogućih opekline pa čak i eksplozije.
4. **Ako vam elektrolit dospije u oči, isperite ih čistom vodom i odmah se obratite liječniku.** Tako možete izgubiti vid.
5. **Nemojte kratko spajati bateriju:**
 - (1) **Ne dovodite terminale u kontakt s provodljivim materijalima.**
 - (2) **Ne čuvajte bateriju u spremniku s drugim metalnim predmetima** poput čavala, kovanica itd.
 - (3) **Ne izlažite bateriju vodi ili kiši.** Kratki spoj baterije može uzrokovati velik protok struje, pregrijavanje, moguće opekline pa čak i kvar.

6. Ne držite i ne upotrebljavajte alat i baterijski uložak na mjestima gdje temperatura može premašiti 50 °C (122 °F).
7. Ne spaljujte bateriju čak ni ako je ozbiljno oštećena ili potpuno istrošena. Baterija može eksplodirati u vatri.
8. Nemojte zabijati čavle u baterijski uložak, rezati ga, gnječiti, bacati ili udarati tvrdim predmetom. Ti postupci mogu dovesti do požara, prethranog zagrijavanja ili eksplozije.
9. Ne koristite oštećene baterije.
10. Sadržane litij-ionske baterije podliježu odredbama zakonskih propisa o opasnim tvarima. Kada se radi o komercijalnom transportu koji obavljaju npr. dobavljači ili špediteri, moraju se poštovati posebni zahtjevi na pakiranju i oznakama. Prilikom pripreme isporuke takve stavke potražite savjet stručnjaka za opasne tvari. Pogledajte i moguće podrobnije nacionalne propise. Prekrijte trakom ili zaštitite otvorene kontakte i bateriju zapakirajte tako da se ne može pomicati u pakiranju.
11. Kada odlažete baterijski uložak u otpad, uklonite ga iz alata i zbrinite na sigurnom mjestu. Pridržavajte se lokalnih zakonskih propisa za zbrinjavanje baterija.
12. Upotrebljavajte baterije samo s proizvodima koje je odobrila tvrtka Makita. Umetanje baterija u neprikladne proizvode može dovesti do požara, prekomjerne topline, eksplozije ili curenja elektrolita.
13. Ako se alat ne upotrebljava dulje vrijeme, bateriju morate ukloniti iz alata.
14. Tijekom i nakon upotrebe baterijski uložak može se zagrijati i prouzročiti opekline višeg ili nižeg stupnja. Pažljivo rukujte vrućim baterijskim ulošcima.
15. Nemojte dirati priključak alata neposredno nakon upotrebe jer se može zagrijati toliko da prouzroči opekline.
16. Nemojte dopustiti da krhotine, prašina ili zemlja zapnu u priključcima, otvorima i utorima baterijskog uloška. To može dovesti do pregrijavanja, zapaljenja, eksplozije ili kvara na uređaju ili baterijskom ulošku, što može prouzročiti opekline ili osobne ozljede.
17. Ako alat ne podržava upotrebu u blizini visokonaponskih električnih vodova, nemojte upotrebljavati baterijski uložak u blizini visokonaponskih električnih vodova. To može dovesti do neispravnog rada ili kvara alata ili baterijskog uloška.
18. Bateriju čuvajte podalje od djece.

ČUVAJTE OVE UPUTE.

▲OPREZ: Uvijek upotrebljavajte originalne baterije Makita. Upotreba baterija koje nisu originalne baterije Makita ili su izmijenjene može dovesti do rasprskavanja baterije i uzrokovati požar, tjelesnu ozljedu ili štetu. To će također poništiti jamstvo tvrtke Makita za alat i punjač Makita.

Savjeti za održavanje najduljeg vijeka trajanja baterije

1. Napunite bateriju prije nego što se potpuno isprazni. Uvijek zaustavite alat i napunite bateriju kad primijetite da alat slabije radi.
2. Nikad ne punite već do kraja napunjenu bateriju. Pretjerano punjenje skraćuje radni vijek baterije.
3. Bateriju punite na sobnoj temperaturi između 10 °C i 40 °C. Vruću bateriju prije punjenja ostavite da se ohladi.
4. Kada ne upotrebljavate baterijski uložak, uklonite ga iz alata ili punjača.
5. Napunite bateriju ako je ne mislite koristiti duže vrijeme (duže od 6 mjeseci).

FUNKCIONALNI OPIS

▲OPREZ: Prije podešavanja ili provjere rada alata obavezno provjerite je li stroj isključen i baterija uklonjena.

Umetanje ili uklanjanje baterije

▲OPREZ: Uvijek isključite alat prije umetanja ili uklanjanja baterije.

▲OPREZ: Čvrsto držite alat i bateriju pri umetanju ili uklanjanju baterije. Ako alat i bateriju ne držite čvrsto, mogli bi vam iskliznuti iz ruku te oštetiti alat i bateriju ili uzrokovati osobnu ozljedu.

► **SI.1:** 1. Crvena oznaka 2. Gumb 3. Baterija

Za uklanjanje bateriju gurnite van iz alata pritiskom gumba na prednjoj strani uloška.

Za umetanje baterijskog uloška poravnajte jezičac na baterijskom ulošku s utorom na kućištu i gurnite ga na mjesto. Umetnite bateriju skroz do kraja dok ne sjedne na svoje mjesto uz mali klik. Ako možete vidjeti crvenu oznaku kao što je prikazano na slici, ona nije do kraja sjela na svoje mjesto.

▲OPREZ: Uvijek umetnite baterijski uložak do kraja tako da ne možete vidjeti crvenu oznaku. U suprotnom može slučajno ispasti iz alata, što može dovesti do ozljede vas ili nekog u blizini.

▲OPREZ: Ne umećite bateriju silom. Ako baterija ne klizne lagano, znači da nije ispravno umetnuta.

Prikaz preostalog kapaciteta baterije

Pritisnite gumb za provjeru na bateriji kako biste provjerili preostali kapacitet baterije. Žaruljica indikatora zasvijetlit će na nekoliko sekundi.

► **SI.2:** 1. Žaruljice indikatora 2. Gumb za provjeru

Žaruljice indikatora				Preostali kapacitet
Svijetli	Isključeno	Treperi		
■	□	▧		75 % do 100 %
■ ■ ■ ■				50 % do 75 %
■ ■	□ □			25 % do 50 %
■	□ □ □ □			0 % do 25 %
▧	□ □ □ □			Napunite bateriju.
■ ■	□ □			Baterija je možda neispravna.
□ □	■ ■			

NAPOMENA: Ovisno o uvjetima upotrebe i temperaturi okoline, prikaz indikatora može se donekle razlikovati od stvarnog kapaciteta.

NAPOMENA: Prva (krajnja lijeva) žaruljica indikatora treperit će dok radi sustav za zaštitu baterije.

Sustav zaštite alata/baterije

Ovaj alat sadrži sustav zaštite alata/baterije. Sustav automatski prekida napajanje motora da bi produžio vijek trajanja alata i baterije. Alat automatski prestaje raditi ako se alat ili baterija nađu u nekom od sljedećih uvjeta:

Zaštita od preopterećenja

Kad baterija radi na način uslijed kojega troši neuobičajeno puno struje, alat će se automatski zaustaviti bez ikakve signalizacije. U tom slučaju isključite alat i prekinite radnje koje su izazvale preopterećenje alata. Zatim uključite alat kako biste ga pokrenuli.

Zaštita od pregrijavanja

U slučaju pregrijavanja alata ili baterije alat se automatski zaustavlja i žaruljica počinje treperiti. U tom slučaju ostavite alat i bateriju da se ohladi prije ponovnog uključivanja alata.

Zaštita od prekomjernog pražnjenja

Ako kapacitet baterije nije dovoljan, alat se automatski zaustavlja. U tom slučaju izvadite baterijski uložak iz alata i napunite ga.

Zaštita od ostalih uzroka

Sustav zaštite napravljen je i za ostale uzroke koji bi mogli oštetiti alat i omogućuje automatsko zaustavljanje alata. Poduzmite sve sljedeće korake da biste otklonili uzroke kada je alat privremeno zaustavljen ili prestao s radom.

1. Isključite alat pa ga ponovno uključite da biste ga pokrenuli.
2. Napunite jednu ili više baterija ili ih zamijenite napunjenim baterijama.
3. Pustite da se alat i jedna ili više baterija ohladi.

Ako obnavljanje sustava zaštite nije dovelo do poboljšanja, obratite se lokalnom servisnom centru tvrtke Makita.

Odabir rezanja

Ovim se alatom može rezati kružno ili ravno (gore i dolje). Kružnim se rezanjem list ubodne pile prilikom reza gura naprijed i znatno se povećava brzina rezanja.

► **SI.3:** 1. Ručica za promjenu načina rezanja

Za promjenu vrste rezanja okrenite ručicu za promjenu vrste rezanja u željeni položaj. Informacije o prikladnom rezu potražite u tablici.

Položaj	Rezanje	Primjene
0	Rezanje po ravnoj liniji	Za rezanje mekog čelika, nehrđajućeg čelika i plastike. Za čiste rezove u drvu i šperploči.
I	Kružno rezanje malenog promjera	Za rezanje mekog čelika, aluminija i tvrdog drva.
II	Kružno rezanje srednjeg promjera	Za rezanje drva i šperploče. Za brzo rezanje aluminija i mekog čelika.
III	Kružno rezanje velikog promjera	Za brzo rezanje drva i šperploče.

Uključuje se prednja žaruljica

▲ OPREZ: Nemojte izravno gledati u svjetlo ili izvor svjetlosti.

Pritisnite sklopku za blokadu da biste uključili svjetlo. Ponovno pritisnite sklopku za blokadu da biste isključili svjetlo.

► **SI.4:** 1. Sklopka za blokadu 2. Žaruljica

NAPOMENA: Kad se alat pregrije, žaruljica treperi. Pustite da se alat potpuno ohladi prije nego ga ponovno uključite.

NAPOMENA: Suhom krpom obrišite prljavštinu s leće žaruljice. Budite oprezni da ne zagrebete leću žaruljice jer to može smanjiti osvijetljenje.

Uključivanje i isključivanje

Da biste uključili alat, pritisnite sklopku za blokadu. Alat se prebacuje u stanje pripravnosti. Da biste pokrenuli alat, pritisnite sklopku za uključivanje/stanje pripravnosti u načinu rada pripravnosti. Da biste zaustavili alat, ponovno pritisnite sklopku za uključivanje/stanje pripravnosti. Alat se prebacuje u stanje pripravnosti. Da biste isključili alat, pritisnite sklopku za blokadu u načinu rada pripravnosti.

► **SI.5:** 1. Sklopka za blokadu 2. Sklopka za uključivanje/stanje pripravnosti

NAPOMENA: Ako je alat u stanju pripravnosti te nije u operativnom stanju 10 sekundi, automatski se isključuje i lampica se gasi.

NAPOMENA: Također možete zaustaviti i isključiti alat pritiskom na tipku za blokadu dok alat radi.

Da biste smanjili svjetlinu svjetiljke, pritisnite i držite sklopku za blokadu kada prelazite u način rada pripravnosti. Otprilike 1 sekundu nakon što počnete pritiskati sklopku za blokadu, svjetlina svjetiljke počeo će se smanjivati, stoga otpustite sklopku za blokadu kada postignete željenu svjetlinu. Alat također prebacuje u način rada pripravnosti. Otprilike 3 sekunde nakon što počnete pritiskati sklopku za blokadu, svjetlina svjetiljke će se smanjiti i neće se mijenjati nakon toga.

NAPOMENA: Svjetlina svjetiljke ne se može podesiti dok je alat u načinu rada pripravnosti. Isključite alat da biste smanjili svjetlinu svjetiljke.

NAPOMENA: Ne postoji memorijska funkcija za svjetlinu svjetiljke. Ako isključite svjetiljku, a zatim je uključite, svjetlina svjetiljke svaki će se put povećati.

Regulator brzine

► **SI.6:** 1. Regulator brzine

Brzina alata može se prilagoditi pomoću okretanja regulatora brzine. Najveća brzina je na 6, a najmanja brzina na 1.

Prilikom odabira primjerene brzine za rezanje izratka poslužite se tablicom. Međutim, primjerene se brzine mogu razlikovati ovisno o vrsti i debljini izratka.

Općenito, pri većim brzinama možete brže rezati izratke, ali one skraćuju radni vijek lista ubodne pile.

Izradak	Broj
Drvo	4 – 6
Meki čelik	3 – 6
Nehrdajući čelik	3 - 4
Aluminij	3 – 6
Plastika	1 - 4

NAPOMENA: Regulator brzine može se okretati najviše do broja 6 i natrag na broj 1. Nemojte ga prinudno okretati na više od 6 ili 1 jer funkcija prilagodbe brzine možda neće ispravno raditi.

Elektroničke funkcije

Alat je opremljen elektroničkim funkcijama za lakši rad.

Meki start

Meki start smanjuje početni šok i omogućuje lako pokretanje alata.

Konstantna kontrola brzine

Elektronička kontrola brzine za postizanje konstantne brzine. Moguće je postići finu završnu obradu jer se održava ista brzina okretanja čak i u uvjetima opterećenja.

Lagano okretanje bez opterećenja

Kada je regulator brzine postavljen na „3” ili više, alat automatski smanjuje brzinu bez opterećenja da bi se smanjile vibracije i list ubodne pile jednostavno poravnao s linijom rezanja. Kada alat počne rezati izradak, brzina alata povećava se do unaprijed zadane brzine.

NAPOMENA: Ako je temperatura niska, ta funkcija možda neće biti dostupna. Ova funkcija također možda neće biti dostupna ovisno o vrsti materijala.

NAPOMENA: Ako se brzina ne smanji nakon rezanja izratka, isključite alat i zatim ga ponovno uključite.

Onemogućivanje ili omogućivanje funkcije laganog okretanja bez opterećenja

Kako biste onemogućili ili omogućili funkciju laganog okretanja bez opterećenja, slijedite korake u nastavku.

1. Provjerite je li alat isključen.
2. Postavite regulator brzine na „1”.
3. Pritisnite sklopku za blokadu da biste uključili alat.
4. Okrenite regulator brzine na „6”, a zatim ga vratite na „1”.

Svjetiljka će dvaput zatreperiti ako je funkcija laganog okretanja bez opterećenja onemogućena ili omogućena. Da biste ponovno omogućili ili onemogućili tu funkciju, ponovite postupak.

NAPOMENA: Ako je funkcija laganog okretanja bez opterećenja onemogućena, svjetiljka će dvaput zatreperiti kad se alat uključuje.

NAPOMENA: Također možete onemogućiti ili omogućiti funkciju laganog okretanja bez opterećenja promjenom regulatora brzine na „6” – „1” – „6”.

Električna kočnica

Ovaj alat opremljen je električnom kočnicom. Ako se alat opetovano ne uspijeva brzo zaustaviti nakon otpuštanja uključno/isključne sklopke, odnesite alat na servisiranje u servisni centar tvrtke Makita.

MONTAŽA

⚠ OPREZ: Prije izvođenja bilo kakve radnje na alatu obavezno provjerite je li stroj isključen i baterija uklonjena.

Umetanje ili uklanjanje lista ubodne pile

⚠ OPREZ: Uvijek očistite sve krhotine ili strane stvari koje se zaljepe za list i/ili držač lista ubodne pile. U protivnom se list ubodne pile možda neće dovoljno zategnuti, što može uzrokovati ozbiljne tjelesne ozljede.

⚠ OPREZ: Nemojte dirati list ubodne pile ili izradak odmah nakon rada. Mogu biti jako vrući i postoji opasnost od opekotina.

⚠ OPREZ: Uvijek dobro pričvrstite list ubodne pile. Nedovoljno zategnut list ubodne pile može uzrokovati pucanje lista ili ozbiljne tjelesne ozljede.

⚠ OPREZ: Kad uklonite list ubodne pile, pazite da ne ozlijedite prste vrškom lista ubodne pile ili rhovima izratka.

Prije montiranja lista ubodne pile provjerite je li ručica stezaljke lista ubodne pile u otpuštenom položaju. Da biste montirali list ubodne pile, umetnite list ubodne pile (zupci prema naprijed) u držač lista ubodne pile dok pravilno ne sjedne. Ručica stezaljke lista ubodne pile samostalno se pomiče u fiksni položaj i list ubodne pile se zaključava. Provjerite je li stražnji rub lista ubodne pile dobro sjeo na svoje mjesto na valjku. Lagano povucite list ubodne pile kako biste se uvjerali da list ubodne pile neće ispasti tijekom rada.

► **SI.7:** 1. Ručica stezaljke lista ubodne pile (fiksni položaj) 2. Ručica stezaljke lista ubodne pile (otpušteni položaj)

► **SI.8:** 1. Držač lista ubodne pile 2. Ručica stezaljke lista ubodne pile (otpušteni položaj) 3. List ubodne pile 4. Valjak

⚠ OPREZ: Ne otvarajte previše otvarača alata jer tako možete oštetiti alat.

Da biste uklonili list ubodne pile, otvorite otvarač alata naprijed koliko god je to moguće. To omogućuje otpuštanje lista ubodne pile.

► **SI.9:** 1. Držač lista ubodne pile 2. Otvarač alata 3. List ubodne pile

NAPOMENA: U slučaju da je teško ukloniti list ubodne pile:

Okrenite ručicu za promjenu načina rezanja u položaj „III” i lagano uključite alat nekoliko puta, tako da se držač lista ubodne pile pomakne na dno.

Osigurajte da je ručica stezaljke lista ubodne pile u fiksnom položaju prilikom uključivanja alata.

Prije postavljanja ili uklanjanja lista ubodne pile uklonite baterijski uložak iz alata.

NAPOMENA: Povremeno podmazite valjak.

Spremanje imbus ključa

Kad ga ne koristite, imbus ključ držite kao što je prikazano na slici da ga ne biste izgubili.

► **SI.10:** 1. Osnovna ploča 2. Imbus ključ

Pokrovna ploča

Upotrijebite pokrovnu ploču kad režete dekorativne furnire, plastike itd. Ploča štiti osjetljive površine od štete. Ugradite je na dno osnovne ploče alata.

► **SI.11:** 1. Pokrovna ploča 2. Osnovna ploča

Uređaj protiv krhotina

⚠ OPREZ: Uređaj protiv krhotina ne može se koristiti prilikom kutnog rezanja.

Ako želite rezati, a da se ne stvaraju krhotine, možete upotrijebiti uređaj protiv krhotina. Da biste instalirali uređaj protiv krhotina, pomaknite osnovnu ploču alata naprijed do kraja i ugradite je s dna osnovne ploče alata.

Kad koristite pokrovnu ploču, na nju instalirajte uređaj protiv krhotina.

► **SI.12:** 1. Osnovna ploča 2. Uređaj protiv krhotina

Usisavanje prašine

Dodatni pribor

Za čisto rezanje preporučujemo mlaznicu za prašinu.

Da biste priključili mlaznicu za prašinu na alat, umetnite kuku mlaznice u rupu na temelju.

► **SI.13:** 1. Mlaznica za prašinu 2. Osnovna ploča

Za osiguranje mlaznice za prašinu zategnite vijak hvataljke na prednjoj strani mlaznice za prašinu. Mlaznica za prašinu može se instalirati i s lijeve i s desne strane temelja.

► **SI.14:** 1. Stezni vijak

Zatim priključite usisavač tvrtke Makita na mlaznicu za prašinu.

► **SI.15:** 1. Mlaznica za prašinu 2. Crijevo za usisivač prašine

RAD

⚠ OPREZ: Postolje uvijek držite u ravnini s izratkom. U protivnom može doći do pucanja lista ubodne pile, a time i ozbiljnih ozljeda.

⚠ OPREZ: Vrlo sporo pomičite alat prema naprijed dok režete krivulje ili svitke. Prisilan rad može ukošiti reznu površinu i slomiti list ubodne pile.

Okrenite alat bez dodirivanja lista ubodne pile i čekajte dok list ubodne pile ne dostigne punu brzinu. Zatim položite list ravno na izradak i blago pogurnite alat po prethodno označenoj liniji reza.

► **SI.16:** 1. Linija reza 2. Osnovna ploča

Koso rezanje

▲ OPREZ: Prije naginjanja osnovne ploče obavezno provjerite jeste li isključili alat i uklonili bateriju.

Ako je postolje nagnuto, možete koso rezati pod bilo kojim kutem između 0° i 45° (lijevo ili desno).

► **SI.17**

Da biste nagnuli osnovnu ploču, popustite vijak na dnu osnovne ploče s pomoću imbus ključa. Pomaknite temelj tako da se vijak nađe u sredini kosog utora u temelju.

► **SI.18:** 1. Imbus ključ 2. Vijak 3. Postolje

Naginjite postolje dok ne postignete željeni kosi kut. V-urez kućišta motora pokazuje stupnjevane kose kutove. Zatim čvrsto zavrtnite vijak da biste pričvrstili temelj.

► **SI.19:** 1. Kosi utor 2. Postolje 3. Vijak 4. Gradacije 5. Utor u obliku slova V 6. Kućište uređaja

Prednji rezovi u ravnini s površinom

Imbus ključem odvrtnite vijak s dna osnovne ploče i gurnite osnovnu ploču do kraja. Zatim zategnite vijak da biste pričvrstili postolje.

► **SI.20:** 1. Imbus ključ 2. Vijak 3. Osnovna ploča

Izresci

Izresci se mogu proizvoditi dvjema metodama: „Bušenje početne rupe” ili „Uranjajuće rezanje”.

Bušenje početne rupe

Za unutarnje izreske bez uvodnog reza s ruba izbušite početnu rupu promjera od 12 mm ili više. Umetnite list ubodne pile u tu rupu da biste počeli rezati.

► **SI.21**

Uranjajuće rezanje

Morate izbušiti početnu rupu ili izraditi uvodni rez ako pažljivo učinite sljedeće.

► **SI.22**

1. Nagnite alat po prednjem rubu postolja tako da vrh lista ubodne pile položite odmah iznad površine izratka.
2. Pritisnite alat da se prednji rub postolja ne može pomaknuti kad uključite alat te blago i polako spustite stražnji dio alata.
3. Dok list ubodne pile probada izradak, polako spustite postolje alata na površinu izratka.
4. Završite rezanje na normalan način.

Završni rubovi

Za podrezivanje rubova ili podešavanje dimenzija listom ubodne pile blago prođite po izrezanim rubovima.

► **SI.23**

Rezanje metala

Pri rezanju metala uvijek koristite prikladnu rashladnu tekućinu (ulje za rezanje). U protivnom će se list ubodne pile znatno istrošiti. Umjesto upotrebe rashladnog sredstva možete podmazati donji dio izratka.

Paralelni graničnik

Dodatni pribor

▲ OPREZ: Prije instalacije ili uklanjanja dodatnog pribora obavezno provjerite jeste li isključili alat i uklonili bateriju.

Ravni rezovi

Ako opetovano režete širine od 160 mm ili manje, uporaba paralelnog graničnika osigurat će brzo, čisto i ravno rezanje.

► **SI.24:** 1. Paralelni graničnik (paralelna vodilica)

Za instalaciju umetnite paralelni graničnih u trokutastu rupu bočno na postolju, pri čemu vodilica graničnika treba biti okrenuta prema dolje. Klizno pomaknite paralelni graničnik u željeni položaj širine rezanja, a zatim ga pričvrstite zavrtanjem vijaka.

► **SI.25:** 1. Imbus ključ 2. Vijak 3. Vodilica graničnika 4. Paralelni graničnik (paralelna vodilica)

Kružni rezovi

Ako režete krugove ili lukove promjera od 170 mm ili manje, postavite paralelni graničnik na sjedeći način.

► **SI.26:** 1. Paralelni graničnik (paralelna vodilica)

▲ OPREZ: Ne dodirujte vrh vodećeg zatika. Oštar vrh vodećeg zatika može uzrokovati ozljede.

1. Umetnite paralelni graničnih u trokutastu rupu bočno na postolju, pri čemu vodilica graničnika treba biti okrenuta prema gore.
2. Umetnite vodeći zatik kroz jednu od dvaju rupa na vodilici graničnika. Zavrtnite gumb s navojem na vodeći zatik da biste ga učvrstili.
► **SI.27:** 1. Gumb s navojem 2. Vodilica graničnika 3. Paralelni graničnik (paralelna vodilica) 4. Vodeći zatik 5. Vijak
3. Umetnite paralelni graničnik do željenog promjera rezanja i zavrtnite klin da biste ga učvrstili.

NAPOMENA: Pri rezanju krugova ili lukova uvijek koristite listove ubodne pile br. B-17, B-18, B-26 ili B-27.

Komplet prilagodnika šine vodilice

Dodatni pribor

Kad režete paralelne i jednolike širine ili ravno, upotrebom vodilice i prilagodnika šine vodilice osigurat ćete brzo i čisto rezanje. Za instalaciju prilagodnika šine vodilice umetnite ravnalo do kraja u četverokutnu rupu na temelju. Čvrsto pritegnite vijak imbus ključem.

► **SI.28:** 1. Imbus ključ 2. Ravnalo 3. Vijak

Umetnite ravnalo u četverokutnu rupu na prilagodniku šine vodilice i čvrsto pritegnite vijak. Postavite prilagodnik šine vodilice na vodilicu.

► **SI.29:** 1. Prilagodnik šine vodilice 2. Vodilica 3. Vijak

NAPOMENA: Pri uporabi vodilice i prilagodnika šine vodilice uvijek koristite listove ubodne pile br. B-8, B-13, B-16, B-17 ili 58.

ODRŽAVANJE

⚠ OPREZ: Prije svih zahvata na stroju provjerite jeste li isključili stroj i uklonili bateriju.

NAPOMENA: Nikada nemojte koristiti benzin, mješavinu benzina, razrjeđivač, alkohol ili slično. Kao rezultat toga može se izgubiti boja, pojaviti deformacija ili pukotine.

Da biste zadržali SIGURNOST I POUZDANOST proizvoda, održavanje ili namještanja trebali biste prepustiti ovlaštenim servisnim ili tvorničkim centrima tvrtke Makita; uvijek rabite originalne rezervne dijelove.

DODATNI PRIBOR

⚠ OPREZ: Ovaj dodatni pribor ili priključci preporučuju se samo za upotrebu s alatom Makita navedenim u ovom priručniku. Upotreba bilo kojeg drugog dodatnog pribora ili priključaka može prouzročiti ozljede. Upotrebjavajte dodatni pribor ili priključak samo za njegovu navedenu svrhu.

Ako vam je potrebna pomoć za više detalja u pogledu ovih dodatnih pribora, obratite se najbližem Makita servisnom centru.

- Listovi ubodnih pila
- Imbus ključ 4
- Komplet paralelnih graničnika (ravnalo za vođenje)
- Komplet prilagodnika šine vodilice
- Komplet šine vodilice
- Uređaj protiv krhotina
- Pokrovna ploča
- Sklop mlaznice za prašinu
- Izvorna Makita baterija i punjač

NAPOMENA: Neke stavke iz popisa se mogu isporučiti zajedno sa strojem kao standardni dodatni pribori. Oni mogu biti različiti ovisno o zemlji.

СПЕЦИФИКАЦИИ

Модел:	JV001G	
Должина на удар	26 мм	
Удари во минута	800 - 3.500 мин. ⁻¹	
Тип на нож	Тип Б	
Макс. капацитет на сечење	Дрво	135 мм
	Мек јаглероден челик	10 мм
	Алуминиум	20 мм
Вкупна должина (со BL4025)	283 мм	
Номинален напон	D.C. 36 V - 40 V макс.	
Нето тежина	2,6 - 2,9 кг	

- Поради нашата континуирана програма за истражување и развој, спецификациите тука подлежат на промена без најава.
- Спецификациите може да се разликуваат од држава до држава.
- Тежината може да се разликува во зависност од додаточите, вклучувајќи ја и касетата за батерија. Најлесната и најтешката комбинација, согласно процедурата на ЕПТА 01/2014 (Европската асоцијација за електрични алати), се прикажани во табелата.

Применлива касета за батерија и полнач

Касета за батерија	BL4020 / BL4025 / BL4040
Полнач	DC40RA / DC40RB / DC40RC

- Некои од касетите за батерии и полначите наведени погоре може да не се достапни зависно од регионот во кој живеете.

▲ ПРЕДУПРЕДУВАЊЕ: Користете ги само касетите за батерии и полначите наведени погоре. Користењето какви било поинакви касети за батерии и полначи може да создаде ризик од повреда и/или пожар.

Наменета употреба

Алатот е наменет за сечење дрво, пластика и железни материјали.

Бучава

Типична А-вредност за ниво на бучавата одредена во согласност со EN62841-2-11:
 Ниво на звучниот притисок (L_{pA}): 87 dB (A)
 Ниво на јачина на звукот (L_{WA}): 98 dB (A)
 Отстапување (K): 3 dB (A)

НАПОМЕНА: Номиналната вредност(и) за емисија на бучава е измерена во согласност со стандардни методи за испитување и може да се користи за споредување алати.

НАПОМЕНА: Номиналната вредност(и) за емисија на бучава може да се користи и како прелиминарна процена за изложеност.

▲ ПРЕДУПРЕДУВАЊЕ: Носете заштита за ушите.

▲ ПРЕДУПРЕДУВАЊЕ: Емисијата на бучава при фактичкото користење на алатот може да се разликува од номиналната вредност(и), зависно од начинот на којшто се користи алатот, особено од тоа како вид работен материјал се обработува.

▲ ПРЕДУПРЕДУВАЊЕ: Погрижете се да ги утврдите безбедносните мерки за заштита на лицето кое ракува со алатот врз основа на процена на изложеноста при фактичките услови на употреба (земајќи ги предвид сите делови на работниот циклус, како периодите кога електричниот алат е исклучен и кога работи во празен од, не само кога е активен).

Вибрации

Вкупна вредност на вибрациите (векторска сума на три оски) одредена во согласност со EN62841-2-11: Работен режим: даски за сечење
Емисија на вибрации ($a_{h,B}$): 4,6 m/s^2
Отстапување (K): 2,5 m/s^2
Работен режим: сечење ламарина
Емисија на вибрации ($a_{h,M}$): 4,8 m/s^2
Отстапување (K): 1,5 m/s^2

НАПОМЕНА: Вкупната вредност(и) на номиналната јачина на вибрациите е измерена во согласност со стандардни методи за испитување и може да се користи за споредување алати.

НАПОМЕНА: Вкупната вредност(и) на номиналната јачина на вибрациите може да се користи и како прелиминарна процена за изложеност.

▲ ПРЕДУПРЕДУВАЊЕ: Јачината на вибрациите при фактичкото користење на алатот може да се разликува од номиналната вредност(и), зависно од начинот на којшто се користи алатот, особено од тоа како вид работен материјал се обработува.

▲ ПРЕДУПРЕДУВАЊЕ: Погрижете се да ги утврдите безбедносните мерки за заштита на лицето кое ракува со алатот врз основа на процена на изложеноста при фактичките услови на употреба (земајќи ги предвид сите делови на работниот циклус, како периодите кога електричниот алат е исклучен и кога работи во празен од, не само кога е активен).

Декларации за сообразност

Само за земјите во Европа

Декларациите за сообразност се вклучени во Додаток А од ова упатство за употреба.

БЕЗБЕДНОСНИ ПРЕДУПРЕДУВАЊА

Општи упатства за безбедност за електричните алати

▲ ПРЕДУПРЕДУВАЊЕ Прочитајте ги сите безбедносни предупредувања, упатства, илустрации и спецификации дадени со електричниот алат. Ако не се почитуваат сите упатства наведени подолу, може да дојде до струен удар, пожар и/или сериозни повреди.

Чувајте ги сите предупредувања и упатства за да може повторно да ги прочитате.

Под терминот „електричен алат“ во предупредувањата се мисли на вашиот електричен алат кој работи на струја (со кабел) или на батерии (безжично).

Безбедносни предупредувања за безжичната убодна пила

1. Држете го алатот само за изолираните држачи кога вршите работи при кои додатокот за сечење може да дојде во допир со скриени жици. Дополнок за сечење што ќе допре жица под напон може да ја пренесе струјата до металните делови на алатот и да предизвика струен удар на операторот.
2. Користете стеги или друг практичен начин за да го зацврстите и потпрете материјалот на стабилна платформа. Ако го држите материјалот со рака или го навалувате на телото, ќе биде нестабилен и може да доведе до губење контрола.
3. Секогаш користете безбедносни или заштитни очила. Обични очила или очила за сонце НЕ СЕ заштитни очила.
4. Избегнувајте сечење шајки. Проверете дали материјалот има шајки и отстранете ги пред да почнете да работите.
5. Не сечете материјали што се преголеми.
6. Проверете дали е празно околу работниот материјал пред да сечете за да не удри ножот на убодната пила во подот, работната маса итн.
7. Цврсто држете го алатот.
8. Осигурете се дека ножот на убодната пила не е во допир со работниот материјал и други предмети пред да се вклучи прекинувачот.
9. Држете ги рацете подалеку од подвижните делови.
10. Не оставајте го алатот вклучен. Работете со алатот само кога го држите в раце.
11. Секогаш исклучувајте го алатот и чекајте ножот на убодната пила сосема да запре пред да го тргнете ножот на убодната пила од работниот материјал.
12. Не допирајте ги ножот на убодната пила или работниот материјал веднаш по работата; може да бидат многу жешки и да ви ја изгорат кожата.
13. Не работете со алатот без оптоварување кога тоа не е неопходно.
14. Некои материјали содржат хемикалии што можат да бидат токсични. Избегнувајте вдишување на прашина и избегнувајте контакт на прашина со кожата. Следете ги упатствата од производителот на материјалот.
15. Секогаш користете ги соодветните маска за прав / респиратор за материјалот кој го користите за одредена примена.

ЧУВАЈТЕ ГО УПАТСТВОТО.

▲ ПРЕДУПРЕДУВАЊЕ: НЕ ДОЗВОЛУВАЈТЕ удобноста или познавањето на производот (стекнати со подолга употреба) да ве наведат да не се придржувате строго до безбедносните правила за овој производ. ЗЛОУПОТРЕБАТА или непочитувањето на безбедносните правила наведени во ова упатство може да предизвикаат тешка телесна повреда.

Важни безбедносни упатства за касетата за батеријата

1. Пред користење на касетата за батеријата, прочитајте ги сите упатства и ознаки за претпазливост на (1) полначот за батеријата, (2) батеријата и (3) производот што ја користи батеријата.
2. Не расклопувајте ја, ниту експериментирајте со касетата за батеријата. Тоа може да резултира со оган, прекумерна топлина или експлозија.
3. Ако оперативното време станало прекумерно кратко, престанете веднаш со работа. Тоа може да резултира со ризик од прегревање, можни изгореници, па дури и експлозија.
4. Ако електролит навлезе во вашите очи, измијте ги со чиста вода и побарајте медицинска нега веднаш. Тоа може да резултира со губење на вашиот вид.
5. Не предизвикувајте спој на касетата за батеријата.
 - (1) Не допирајте ги контактите со никаков проводлив материјал.
 - (2) Избегнувајте да ја чувате касетата за батерија во сад со други метални предмети како што се шајки, монети и сл.
 - (3) На изложувајте ја касетата за батеријата на вода или дожд.Краткиот спој на батеријата може да предизвика голем проток на електрична енергија, прегревање, можни изгореници, па дури и пад на напојувањето.
6. Не складирајте и не користете ги алатот и касетата за батеријата на места каде што температурата може да достигне или надминува 50 °C (122 °F).
7. Не палете ја касетата за батеријата дури и кога е многу оштетена или целосно потрошена. Касетата за батеријата може да експлодира ако се стави во оган.
8. Не заковувајте ја, сечете ја, фрлајте ја, испуштајте ја касетата за батерија, ниту удирајте ја од тврд предмет касетата за батеријата. Таквото однесување може да резултира со оган, прекумерна топлина или експлозија.
9. Не користете оштетена батерија.
10. Содржаните батерии со литиумови јони се подложни на условите во Правилата за опасни предмети. За комерцијален транспорт на пр. од трети лица и посредници, мора да се следат посебните услови на пакувањата или ознаките. При подготовка на предметот кој треба да се испрати, консултирајте се со експерт за опасни материјали. Исто така, следете ги потенцијално подеталните национални правила. Залепете ги со леплива лента или маскирајте ги отворените контакти, а батеријата спакувајте ја, така што нема да се движи слободно во пакувањето.
11. Кога ја фрлате во отпад касетата за батеријата, извадете ја од алатот и фрлете ја на безбедно место. Почитувајте ги локалните законски прописи што се однесуваат на фрлање во отпад на батеријата.

12. Користете ги батериите само со производите назначени од Makita. Монтирањето батерии на неусогласените производи може да резултира со пожар, прекумерна топлина, експлозија или истекување на електролитот.
13. Доколку алатот не се користи подолг временски период, батеријата мора да се извади од алатот.
14. Пред и по употребата, касетата за батеријата може да прими топлина што може да предизвика изгореници или изгореници од ниска температура. Внимавајте како ракувате со жешките касети за батерии.
15. Не допирајте го терминалот на алатот непосредно по употребата бидејќи може да се загрее доволно за да предизвика изгореници.
16. Не дозволувајте деланки, прав или земја да се заглават во терминалите, отворите и жлебовите на касетата за батерија. Тоа може да предизвика греење, запалување, пукање и дефект на алатот или касетата за батерија, што ќе резултира со изгореници или телесна повреда.
17. Освен ако алатката не поддржува употреба на електричните далноводи со висок напон во близина, не користете ја касетата за батерија во близина на електричните далноводи со висок напон. Тоа може да резултира со дефект или пад на напојувањето на алатот или касетата за батерија.
18. Држете ја батеријата подалеку од деца.

ЧУВАЈТЕ ГО УПАТСТВОТО.

⚠ВАЖНО: Користете само оригинални батерии на Makita. Користењето неоригинални батерии на Makita или батерии што се изменети може да резултира со распукување на батеријата, предизвикувајќи пожар, телесна повреда и оштетување. Тоа исто така ќе ја поништи гаранцијата на Makita за алатот и полначот на Makita.

Совети за одржување максимален работен век на батеријата

1. Заменете ја касетата за батеријата пред целосно да се испразни. Секогаш запирајте ја работата со алатот и заменете ја касетата за батеријата кога ќе забележите дека алатот дава помала моќност.
2. Никогаш немојте да полните целосно полна касета за батерија. Прекумерното полнење го скратува работниот век на батеријата.
3. Полнете ја касетата за батеријата на собна температура од 10°C - 40°C. Дозволете загреаната касета за батерија да се олади пред да ја ставите на полнење.
4. Кога не ја користите касетата за батерија, извадете ја алатот или полначот.
5. Полнете ја касетата за батеријата доколку не ја користите подолго време (повеќе од шест месеци).

ОПИС НА ФУНКЦИИТЕ

⚠ ВНИМАНИЕ: Пред секое нагодување или проверка на алатот, проверувајте дали е исклучен и батеријата е извадена.

Монтирање или отстранување на касетата за батеријата

⚠ ВНИМАНИЕ: Секогаш исклучувајте го алатот пред ставањето или вадењето на касетата за батеријата.

⚠ ВНИМАНИЕ: Држете ги алатот и касетата за батеријата цврсто кога ја монтирате или вадите касетата за батеријата. Ако не ги држите цврсто алатот и касетата за батеријата, тие може да се лизнат од вашите раце и да дојде до нивно оштетување, како и до телесна повреда.

► **Сл.1:** 1. Црвен индикатор 2. Копче 3. Касета за батерија

За да ја извадите касетата за батеријата, повлечете ја од алатот додека го лизгате копчето на предната страна на касетата.

За монтирање на касетата за батерија, порамнете го јазичето на касетата за батерија со жлебот во кукиштето и лизнете го во место. Вметнете ја докрај додека не се блокира во место при што ќе се слушне звук. Ако можете да го видите црвениот индикатор како што е прикажано на сликата, не е целосно блокирана во место.











⚠ ВНИМАНИЕ: Секогаш монтирајте ја касетата за батеријата целосно додека црвениот индикатор не се изгасне. Во спротивно, може ненадејно да испадне од алатот предизвикувајќи ви повреда вам или на некој друг околу вас.

⚠ ВНИМАНИЕ: Немојте да ја монтирате касетата за батеријата на сила. Ако касетата не може да се лизне лесно, тоа значи дека не е поставена правилно.

Укажување на преостанатиот капацитет на батеријата

Притиснете го копчето за проверка на касетата за батеријата за укажување на преостанатиот капацитет на батеријата. Индикаторските ламбички светнуваат неколку секунди.

► **Сл.2:** 1. Индикаторски ламбички 2. Копче за проверка

Индикаторски ламбички			Преостанат капацитет
 Запалено	 Исклучено	 Трепка	
			75% до 100%
			50% до 75%
			25% до 50%
			0% до 25%
			Наполнете ја батеријата.
 			Батеријата можеби е неисправна.

НАПОМЕНА: Во зависност од условите на користење и амбиенталната температура, индикацијата може да се разликува во мала мера од реалниот капацитет.

НАПОМЕНА: Првата (најлево) ламбичка на индикаторот ќе трепка кога работи системот за заштита на батеријата.

Систем за заштита на алатот/ батеријата

Алатот е опремен со систем за заштита на алатот/ батеријата. Овој систем автоматски го прекинува напојувањето на моторот за да го продолжи работниот век на алатот и на батеријата. Алатот автоматски ќе се исклучи за време на работењето ако тој или батеријата се најдат под еден од следниве услови:

Заштита од преоптоварување

Кога со батеријата се работи на начин што предизвикува повлекување прекумерно висока струја, таа автоматски се исклучува без никаква индикација. Во таква ситуација, исклучете го алатот и запрете со примената која предизвикала негово преоптоварување. Потоа, повторно вклучете го алатот.

Заштита од прегревање

Кога алатот или батеријата се прегреани, алатот автоматски ќе запре и ламбата ќе трепка. Во овој случај, оставете ги алатот и батеријата да се оладат пред повторно да го вклучите алатот.

Заштита од прекумерно празнење

Кога капацитетот на батеријата нема да биде доволен, алатот автоматски се исклучува. Во овој случај, извадете ја батеријата од алатот и наполнете ја.

Заштита од други причини

Системот за заштита исто така е дизајниран за други причини што може да го оштетат алатот и овозможува тој да запре автоматски. Преземете ги сите следни чекори за да ги отстраните причините кога алатот е доведен до привремено запирање или престанување на работата.

1. Исклучете го алатот и потоа повторно вклучете го за да се рестартира.
2. Наполнете ја батеријата(ите) или заменете ја/ги со наполнета батерија(и).
3. Оставете ги алатот и батеријата(ите) да се оладат.

Доколку не дојде до подобрување со враќање на системот за заштита, контактирајте со локалниот сервисен центар на Makita.

Избирање на начинот на сечење

Со овој алат може да се сече во кружна линија или во права линија (горе и долу). Кружното сечење со алатот го турка ножот на угодната пила напред и ја зголемува брзината на сечење.

► **Сл.3:** 1. Лост за промена на начинот на сечење

За да го смените начинот на сечење, свртете го лостот за промена на начинот на сечење на саканата позиција за режим на сечење. Видете ја табелата за да го изберете соодветниот режим на сечење.

Положба	Начин на сечење	Примена
0	Начин на сечење по права линија	За сечење мек јаглороден челик, не'рѓосувачки челик и пластички. За рамно сечење на дрво и иверка.
I	Начин на сечење со мали кружници	За сечење мек јаглороден челик, алуминиум и тврдо дрво.
II	Начин на сечење со средни кружници	За сечење дрво и иверка. За брзо сечење на алуминиум и мек јаглороден челик.
III	Начин на сечење со големи кружници	За брзо сечење дрво и иверка.

Вклучување на предната ламба

▲ ВНИМАНИЕ: Не гледајте директно во светлината или во изворот на светлина.

Притиснете го прекинувачот за блокирање за да се вклучи ламбата. Притиснете го прекинувачот за блокирање повторно за да се исклучи ламбичката.

► **Сл.4:** 1. Прекинувач за блокирање 2. Ламба

ЗАБЕЛЕШКА: Кога алатот е прегреан, ламбичката трепка. Оставете го алатот целосно да се излади пред повторно да работите со него.

НАПОМЕНА: Користете сува крпа за да ја избришете нечистотијата од леќата на ламбата. Внимавајте да не ја изгребете леќата на ламбата затоа што тоа може да го намали осветлувањето.

Вклучување

За да го вклучите алатот, притиснете го прекинувачот за блокирање. Алатот преминува во режим на готовност. За вклучување на алатот, притиснете го прекинувачот за ВКЛУЧУВАЊЕ/мирување во режим на готовност. За да го запрете алатот, повторно притиснете го прекинувачот за ВКЛУЧУВАЊЕ/мирување. Алатот преминува во режим на готовност. За да го исклучите алатот, притиснете го прекинувачот за блокирање во режим на готовност.

► **Сл.5:** 1. Прекинувач за блокирање 2. Прекинувач за ВКЛУЧУВАЊЕ/мирување

НАПОМЕНА: Ако алатот се остави 10 секунди без да се работи со него во режим на готовност, тој автоматски ќе исклучи, а ламбата ќе се изгаси.

НАПОМЕНА: Исто така, може да го запрете и исклучите алатот притискајќи на прекинувачот за блокирање додека алатот работи.

За намалување на осветлувањето на ламбата, притиснете го и задржете го прекинувачот за блокирање кога префрлувате во режим на готовност. Околу 1 секунда откако ќе започнете да го притискате прекинувачот за блокирање, осветлувањето на ламбата ќе почне да се намалува, па отпуштете го прекинувачот за блокирање кога ќе се постигне саканото осветлување. Тоа, исто така, го префрлува алатот во режим на готовност. Околу 3 секунди откако ќе започнете да го притискате прекинувачот за блокирање, осветлувањето на ламбата ќе се минимизира, а осветлувањето потоа нема да се промени.

НАПОМЕНА: Осветлувањето на ламбата не може да се нагодува додека алатот се наоѓа во режим на готовност. Исклучете го алатот за да се намали осветлувањето на ламбата.

НАПОМЕНА: Не постои функција за меморирање на осветлувањето на ламбата. Доколку ја исклучите ламбата и потоа ја вклучите, осветлувањето на ламбата секој пат ќе се максимизира.

Бирач за нагодување на брзината

► **Сл.6:** 1. Бирач за нагодување на брзината

Брзината на алатот може да се нагодува со вртење на бирачот за нагодување на брзината. Највисоката брзина е на 6, а најниската на 1. Видете ја табелата за да ја изберете соодветната брзина за материјалот што ќе се сече. Сепак, соодветната брзина може да се менува во зависност од видот или дебелината на материјалот. Општо, поголемите брзини ви дозволуваат да го сечете работниот материјал побрзо, но ќе се намали работниот век на ножот на угодната пила.

Работен материјал	Број
Дрво	4 - 6
Мек јаглороден челик	3 - 6
Не'рѓосувачки челик	3 - 4
Алуминиум	3 - 6
Пластика	1 - 4

ЗАБЕЛЕШКА: Бројченикот за нагодување на брзината може да се сврти само до бројот 6 и назад до бројот 1. Не форсирајте го надвор од броевите 6 или 1, во спротивно функцијата за нагодување на брзината може да престане да работи.

Електронска функција

За полесно работење, алатот е опремен со електронски функции.

Меко стартување

Функцијата за меко стартување го сведува почетниот удар на минимум и овозможува алатот да се стартува глатко.

Контрола на постојана брзина

Електронско контролирање на брзината за постигнување постојана брзина. Може да се изврши добра завршна обработка, бидејќи брзината на вртење е постојана дури и при преоптовареност.

Мека ротација без оптоварување

Кога бројченикот за нагодување на брзината е поставен на „3“ или повисоко, алатот автоматски ја намалува брзината при неоптовареност за намалување на вибрациите и едноставно порамнување на ножот на убудната пила со линијата за сечење. Штом алатот ќе почне со сечење на работниот материјал, брзината на алатот се намалува и ја достигнува претходно поставената брзина.

НАПОМЕНА: Кога температурата е ниска, функцијата може да не е достапна. Функцијата исто така може да не е достапна, зависно од типот на материјалот.

НАПОМЕНА: Доколку брзината не се намали по сечењето на работниот материјал, исклучете го алатот и повторно вклучете го.

Оневозможување или овозможување на функцијата за мека ротација без оптоварување

За да ја оневозможите или овозможите функцијата за мека ротација без оптоварување, следете ги чекорите опишани подолу.

1. Проверете дали алатот е исклучен.
2. Поставете го бирачот за нагодување на брзината на „1“.
3. Притиснете го прекинувачот за блокирање за да се вклучи алатот.
4. Свртете го бирачот за нагодување на брзината на „6“ и потоа поставете го назад на „1“.

Ламбата трепнува двапати кога функцијата за мека ротација без оптоварување е оневозможена или овозможена. За повторно да ја овозможите или оневозможите функцијата, повторно извршете ја истата постапка.

НАПОМЕНА: Доколку функцијата за мека ротација без оптоварување е оневозможена, ламбата трепнува двапати кога алатот е вклучен.

НАПОМЕНА: Функцијата за мека ротација без оптоварување исто така може да ја оневозможите или овозможите со менување на бирачот за нагодување на брзината од „6“ - „1“ - „6“.

Електрична сопирачка

Алатот е опремен со електрична сопирачка. Ако алатот постојано не успева брзо да запре по отпуштање на прекинувачот за стартување, алатот треба да се однесе на сервис во сервисен центар на Makita.

СОСТАВУВАЊЕ

⚠ВНИМАНИЕ: Пред секое дотерување или проверка на алатот, секогаш проверувајте дали е исклучен и батеријата е извадена.

Монтирање или отстранување на ножот од ударната пила

⚠ВНИМАНИЕ: Секогаш исчистете ги сите делканици или туѓи тела кои се на ножот на ударната пила и/или држачот на ножот. Ако не го сторите тоа, може да дојде до недоволно затегнување на ножот на убудната пила, а тоа може да предизвика сериозна лична повреда.

⚠ВНИМАНИЕ: Не допирајте го ножот од ударната пила или работниот материјал веднаш по работата. Тие може да бидат многу жешки и може да ви ја изгорат кожата.

⚠ВНИМАНИЕ: Секогаш зацврстете го силно ножот на ударната пила. Ако недоволно го зацврстите ножот на убудната пила, тој може да се скрши или да дојде до сериозна лична повреда.

⚠ВНИМАНИЕ: Кога го отстранувате ножот на убудната пила, внимавајте да не си ги повредите прстите со врвот на ножот на убудната пила или со краевите на материјалот.

Пред да се монтира ножот на убудната пила, осигурете се дека лостот на стегата за нож на убудната пила е во отпуштена положба.

За да го монтирате ножот на убудната пила, вметнете го ножот на убудната пила (со запците свртени напред) во држачот на ножот на убудната пила додека не се блокира во место. Лостот на стегата за нож на убудната пила се придвижува сам до фиксната положба и ножот на убудната пила се блокира. Проверете дали задниот раб на ножот на убудната пила влегува во валжакот. Повлечете го малку ножот на убудната пила за да се осигурите дека тој не паѓа за време на работењето.

► **Сл.7:** 1. Лост на стегата за нож на убудната пила (фиксирана положба) 2. Лост на стегата за нож на убудната пила (отпуштена положба)

► **Сл.8:** 1. Држач на нож на убудната пила 2. Лост на стегата за нож на убудната пила (отпуштена положба) 3. Нож на убудната пила 4. Валжак

⚠ВНИМАНИЕ: Не отворајте го претерано отворабот на алатот, може да предизвика оштетување на алатот.

За да го отстраните ножот на убодната пила, турнете го отворабот на алатките напред до крај. Тоа овозможува ножот на убодната пила да се ослободи.

- **Сл.9:** 1. Држач на нож на убодната пила
2. Отворабот на алатките 3. Нож на убодната пила

НАПОМЕНА: Во случај кога е тешко да се отстрани ножот на убодната пила:

Свртете го лостот за промена на начинот на сечење во позиција „III“ и полека вклучувајте го алатот неколку пати така што ножот на убодната пила до долниот дел.

Осигурете се дека лостот на стегата за ножот на убодната пила е во фиксирана положба кога ќе го вклучувате алатот.

Извадете ја касетата за батерија од алатот пред монтажа или вадење на ножот на убодната пила.

НАПОМЕНА: Повремено подмачкувајте го валјакот.

Складирање на имбус-клучот

Кога не се користи, складирајте го имбус-клучот како што е покажано на сликата за да не го изгубите.

- **Сл.10:** 1. Основа 2. Имбус-клуч

Покривна плоча

Кога сечете декоративни фурнири, пластика итн., користете ја покривната плоча. Ги штити чувствителните или нежните површини од оштетување. Поставете ја на долниот дел од основата на алатот.

- **Сл.11:** 1. Покривна плоча 2. Основа

Уред против распукување

⚠ВНИМАНИЕ: Уредот против распукување не може да се користи кога се прават коси пресеци.

Може да се користи уред против распукување за нераспукани засеци. За да го монтирате уредот против распукување, поместете ја основата на алатот целосно напред и наместете го уредот од долниот дел на основата на алатот. Кога ја користите покривната плоча, монтирајте го уредот против распукување на неа.

- **Сл.12:** 1. Основа 2. Уред против распукување

Собирање на правот

Опционален прибор

Смукалката за прав се препорачува за прецизни пресеци.

За да ја прикачите смукалката за прав на алатот, ставете ја куќата на распрскувачот на прашина во отворот во основата.

- **Сл.13:** 1. Смукалка за прав 2. Основа

За да ја прицврстите смукалката за прав, зацврстете го шрафот за стегање на предниот дел од смукалката за прав. Смукалката за прав може да се инсталира или на левата или на десната страна на основата.

- **Сл.14:** 1. Шраф за стегање

Потоа, поврзете правосмукалка Makita за да ја исчистите смукалката за прав.

- **Сл.15:** 1. Смукалка за прав 2. Црево за правосмукалка

РАБОТЕЊЕ

⚠ВНИМАНИЕ: Секогаш држете го работ на основата израмнет со материјалот. Во спротивно, може да се скрши ножот на ударната пила и да дојде до сериозна повреда.

⚠ВНИМАНИЕ: Многу полека напредувајте со алатот кога сечете кривулести линии или кога резбате. Ако го притискате алатот, може да се накриви површината за сечење или да се скрши ножот на ударната пила.

Вклучете го алатот без ножот на убодната пила да допре и почекајте додека ножот на убодната пила да постигне целосна брзина. Потоа потпрете ја основата директно на материјалот и нежно движете го алатот напред по претходно означената линија за сечење.

- **Сл.16:** 1. Линија за сечење 2. Основа

Косо сечење

⚠ВНИМАНИЕ: Пред секое навалување на основата, секогаш проверувајте дали алатот е исклучен и касетата со батеријата е извадена.

Кога основата е накосена, можете косите пресеци да ги правите со агол од 0° до 45° (лево или десно).

- **Сл.17**

За да ја навалите основата, олабавете ја завртката на долниот дел од основата со имбус-клучот. Поместете ја основата за навртката да дојде во центарот на каналот на пресекок на основата.

- **Сл.18:** 1. Имбус-клуч 2. Завртка 3. Основа

Навалете ја основата додека не го постигнете саканиот агол на пресек. Засекот V на куќиштето на брзините го означува аголот на пресеците по градација. Потоа зацврстете ја навртката за да ја прицврстите основата.

- **Сл.19:** 1. Канал на пресекок 2. Основа 3. Завртка 4. Градации 5. V-засек 6. Куќиште на запченикот

Предни пресеци за израмнување

Разлабавете ја навртката на долниот дел на основата со имбус-клучот и излизгајте ја основата целосно назазад. Потоа зацврстете ја навртката за да ја зацврстите основата.

- **Сл.20:** 1. Имбус-клуч 2. Завртка 3. Основа

Исечоци

Исечоци може да се прават со еден од двата методи: „Дупчење на почетна дупка“ или „Сечење со забивање“.

Дупчење на почетна дупка

За внатрешни исечоци без воведен пресек од некој агол, претходно издупчете почетна дупка со дијаметар од 12 мм или повеќе. Ставете го ножот во оваа дупка за да почнете да го правите засекот.

► Сл.21

Сечење со забивање

Нема потреба да издупчите почетна дупка или воведен пресек ако внимателно го сторите следново.

► Сл.22

1. Потпрете го алатот на предниот раб на основата, ножот на убудната пила да е поставен токму над површината на материјалот.
2. Потпрете го алатот за предниот раб на основата да не мрда кога ќе го вклучите алатот, и спуштете го задниот дел на алатот нежно и полека.
3. Кога ножот на ударната пила ќе продри низ материјалот, полека спуштете ја основата на алатот на површината на материјалот.
4. Пресекот завршете го на нормален начин.

Обликување на рабовите

За обликување на рабовите или за прилагодување на димензиите, пројдете со ножот на ударната пила лесно по исечените рабови.

► Сл.23

Сечење метал

Секогаш користете соодветен разладувач (масло за сечење) кога сечете метал. Во спротивно, може да дојде до значително абеење на ножот на ударната пила. Наместо да користите разладувач, долниот дел на материјалот можете да го подмачкувате.

Надолжен граничник

Опционален прибор

ВНИМАНИЕ: Пред секое монтирање или отстранување на додатните делови, проверувајте дали алатот е исклучен и касетата со батеријата е извадена.

Рамни засеци

Кога неколкупати по ред сечете парчиња од 160 мм или помалку, ако ја користите лизгачката основа, ќе имате брзи, чисти, прецизни пресеци.

► Сл.24: 1. Надолжен потпирач (шина-водилка)

За да ја монтирате лизгачката основа, ставете ја во лизгачката основа на правоаголната дупка на страната на основата, со насочувачот на лизгачката основа свртен надолу. Излизгајте ја лизгачката основа до позицијата на посакуваната ширина, потоа зацврстете ја навртката за да ја прицврстите.

► Сл.25: 1. Имбус-клуч 2. Завртка 3. Шублер 4. Надолжен потпирач (шина-водилка)

Кружни пресеци

Кога сечете кругови или сводови со радиус од 170 мм или помалку, инсталирајте ја лизгачката основа на следниов начин.

► Сл.26: 1. Надолжен потпирач (шина-водилка)

ВНИМАНИЕ: Не допирајте го врвот на циркуларната насочувачка игла. Остриот врв на циркуларната насочувачка игла може да предизвика повреда.

1. За да ја монтирате лизгачката основа, ставете ја во лизгачката основа на правоаголната дупка на страната на основата, со насочувачот на лизгачката основа свртен надолу.
2. Ставете ја циркуларната насочувачка игла преку една од двете дупки на насочувачот на основата. Зашрафете го копчето со навој на циркуларната насочувачка игла за да ја прицврстите циркуларната насочувачка игла.
► Сл.27: 1. Копче со навој 2. Шублер 3. Надолжен потпирач (шина-водилка) 4. Циркуларна насочувачка игла 5. Завртка
3. Излизгајте ја лизгачката основа до посакуваниот радиус на сечење, потоа зацврстете ја навртката за да ја прицврстите.

НАПОМЕНА: Секогаш користете ги ножевите бр. В-17, В-18, В-26 или В-27 за ударна пила кога сечете кругови или сводови.

Комплет адаптер за шината-водилка

Опционален додаток

Кога сечете паралелна и еднолична широчина или сечете право, користењето на шината-водилка и адаптерот за шината-водилка ќе осигури правеење брзи и прецизни пресеци. За да го монтирате адаптерот за шината водилка, ставете го линијарот во квадратниот отвор на основата докрај. Прицврстете ја навртката со имбус-клучот.

► Сл.28: 1. Имбус-клуч 2. Линијар 3. Завртка

Вметнете го линијарот во квадратниот отвор на адаптерот за шината-водилка и цврсто прицврстете го шрафот. Поставете го адаптерот за шината-водилка на шината-водилка.

► Сл.29: 1. Адаптер за шина-водилка 2. Шина-водилка 3. Шраф

ЗАБЕЛЕШКА: Секогаш користете ножеви на убудната пила В-8, В-13, В-16, В-17 или 58 кога се користи шината-водилка и адаптерот за шината-водилка.

ОДРЖУВАЊЕ

⚠ ВНИМАНИЕ: Пред секоја проверка или одржување, секогаш проверувајте дали алатот е исклучен и касетата за батеријата е извадена.

ЗАБЕЛЕШКА: За чистење, не користете нафта, бензин, разредувач, алкохол или слично. Тие средства ја вадат бојата и може да предизвикаат деформации или пукнатини.

За да се одржи БЕЗБЕДНОСТА и СИГУРНОСТА на производот, поправките, одржувањата или дотерувањата треба да се вршат во овластени сервисни или фабрички центри на Makita, секогаш со резервни делови од Makita.

ОПЦИОНАЛЕН ПРИБОР

⚠ ВНИМАНИЕ: Овој прибор или додатоци се препорачуваат за користење со алатот од Makita дефиниран во упатството. Со користење друг прибор или додатоци може да се изложите на ризик од телесни повреди. Користете ги приборот и додатоците само за нивната назначена намена.

Ако ви треба помош за повеќе детали за приборот, прашајте во локалниот сервисен центар на Makita.

- Ножеви на убудната пила
- Имбус-клуч 4
- Комплет лизгачка основа (насочна шипка)
- Комплет адаптер за шината-водилка
- Комплет за шината-водилка
- Уред против распукување
- Покривна плоча
- Склоп на распрскувачот за прашина
- Оригинална батерија и полнач на Makita

НАПОМЕНА: Некои ставки на листата може да се вклучени со алатот како стандарден прибор. Тие може да се разликуваат од држава до држава.

ТЕХНИЧКИ ПОДАЦИ

Модел:		JV001G
Дужина удара		26 мм
Удара у минуту		800 – 3.500 мин ⁻¹
Тип сечива		Тип Б
Макс. капацитет резања	Дрво	135 мм
	Угљенични челик	10 мм
	Алуминијум	20 мм
Укупна дужина (са улошком батерије BL4025)		283 мм
Номинални напон		DC 36 V – 40 V макс.
Нето тежина		2,6 – 2,9 кг

- На основу нашег непрестаног истраживања и развоја задржавамо право измена наведених техничких података без претходне најаве.
- Спецификације могу да се разликују у различитим земљама.
- Тежина може да се разликује у зависности од наставка, укључујући и уложак батерије. Најлакша и најтежа комбинација, према процедури ЕПТА 01/2014, приказане су у табели.

Применљив уложак батерије и пуњач

Уложак батерије	BL4020 / BL4025 / BL4040
Пуњач	DC40RA / DC40RB / DC40RC

- Неки горенаведени улошки батерија и пуњачи можда неће бити доступни у зависности од места становања.

⚠ УПОЗОРЕЊЕ: Користите само горенаведене улошке батерије и пуњаче. Коришћење других уложака батерије и пуњача може узроковати повреде и/или пожар.

Намена

Алат је намењен за тестерисање дрвета, пластике и металних материјала.

Бука

Типичан А-пондерисани ниво буке одређен је према стандарду EN62841-2-11:

Ниво звучног притиска (L_{pA}): 87 dB (A)

Ниво звучне снаге (L_{WA}): 98 dB (A)

Несигурност (K): 3 dB (A)

НАПОМЕНА: Декларисане вредности емисије буке су измерене према стандардизованом мерном поступку и могу се користити за упоређивање алата.

НАПОМЕНА: Декларисана вредност емисије буке се такође може користити за прелиминарну процену изложености.

⚠ УПОЗОРЕЊЕ: Носите заштитне слушалице.

⚠ УПОЗОРЕЊЕ: Емисије буке током стварне примене електричног алата могу се разликовати од декларисане вредности у зависности од начина на који се користи алат, а посебно која врста предмета се обрађује.

⚠ УПОЗОРЕЊЕ: Уверите се да сте идентификовали безбедносне мере за заштиту руковаоца које су засноване на процени изложености у стварним условима употребе (узимајући у обзир све делове радног циклуса, као што је време рада уређаја, али и време када је алат искључен и када ради у празном ходу).

Вибрације

Укупна вредност вибрација (векторски збир по три осе) одређена је према стандарду EN62841-2-11:
Режим рада: резање плоча
Вредност емисије вибрација ($a_{h,v}$): 4,6 m/s^2
Несигурност (K): 2,5 m/s^2
Режим рада: резање металних подлошки
Вредност емисије вибрација ($a_{h,m}$): 4,8 m/s^2
Несигурност (K): 1,5 m/s^2

НАПОМЕНА: Декларисане укупне вредности вибрација су измерене према стандардизованом мерном поступку и могу се користити за упоређивање алата.

НАПОМЕНА: Декларисане укупне вредности вибрација се такође могу користити за прелиминарну процену изложености.

▲УПОЗОРЕЊЕ: Вредност емисије вибрација током стварне примене електричног алата може се разликовати од декларисане вредности у зависности од начина на који се користи алат, а посебно која врста предмета се обрађује.

▲УПОЗОРЕЊЕ: Уверите се да сте идентификовали безбедносне мере за заштиту руковаоца које су засноване на процени изложености у стварним условима употребе (узимајући у обзир све делове радног циклуса, као што је време рада уређаја, али и време када је алат искључен и када ради у празном ходу).

Декларације о усаглашености

Само за европске земље

Декларације о усаглашености су део анекса А у овом упутству за употребу.

БЕЗБЕДНОСНА УПОЗОРЕЊА

Општа безбедносна упозорења за електричне алате

▲УПОЗОРЕЊЕ Прочитајте сва безбедносна упозорења, упутства, илустрације и спецификације достављене уз овај електрични алат. Непοштовање свих доленаведених безбедносних упутстава може изазвати електрични удар, пожар и/или озбиљну повреду.

Сачувајте сва упозорења и упутства за будуће потребе.

Термин „електрични алат“ у упозорењима односи се на електрични алат који се напаја из електричне мреже (каблом) или батерије (без кабла).

Безбедносна упозорења за бежичну убодну тестеру

1. Електрични алат држите за изоловане рукохвате када обављате радове при којима постоји могућност да резни прибор додирне скривене водове. Резни прибор који додирне струјни кабл може да стави под напон изложене металне делове електричног алата и изложи руковаоца струјном удару.
2. Употребите стегу или на неки други начин причврстите предмет који обрађујете на стабилну површину. Држање предмета обраде руком или уз тело чини га нестабилним и може да доведе до губитка контроле.
3. Увек користите заштитне наочаре или заштитну маску. Обичне наочаре за вид или сунце НИСУ заштитне наочаре.
4. Избегавајте сечење ексера. Прегледајте да ли у предмету обраде има ексера и уклоните их пре рада.
5. Немојте да сечете превелики предмет обраде.
6. Пре сечења проверите да ли је растојање одговарајуће око предмета обраде како лист убодне тестере не би ударио о под, радну површину итд.
7. Чврсто држите алат.
8. Уверите се да лист убодне тестере не додирује предмет обраде пре него што укључите прекидач.
9. Руке држите даље од покретних делова.
10. Немојте да остављате укључен алат. Алат укључите само када га држите рукама.
11. Увек искључите и сачекајте да се лист убодне тестере потпуно заустави пре уклањања листа убодне тестере са предмета обраде.
12. Лист убодне тестере или предмет обраде немојте да додирујете одмах после завршетка рада јер могу да буду врло врући и можете да се опечете.
13. Немојте непотребно руковати алатом без оптерећења.
14. Неки материјали садрже хемикалије које могу да буду отровне. Будите опрезни да не би дошло до удисања прашине или контакта са кожом. Следите безбедносна податка добављача материјала.
15. Увек користите одговарајућу маску за прашину / респиратор за материјал и примену на којима радите.

САЧУВАЈТЕ ОВО УПУТСТВО.

▲УПОЗОРЕЊЕ: НЕМОЈТЕ себи да дозволите да занемарите строга безбедносна правила која се односе на овај производ услед чињенице да сте производ добро упознали и стекли рутину у руковању њиме (услед честог коришћења). НЕНАМЕНСКА УПОТРЕБА или непоштовање безбедносних правила наведених у овом упутству могу довести до тешких телесних повреда.

Важна безбедносна упутства која се односе на уложак батерије

1. Пре употребе уложка батерије, прочитајте сва упутства и безбедносне ознаке на (1) пуњачу батерије, (2) батерији и (3) производу који користи батерију.
2. Не растављајте и не модификујте уложак батерије. Тиме можете да изазовете пожар, прекомерно загревање или експлозију.
3. Ако се време рада знатно скратило, одмах престаните са коришћењем. То може да доведе до ризика од прегревања, могућих опекотина, па чак и експлозије.
4. Ако електролит доспе у очи, исперите их чистом водом и одмах затражите помоћ лекара. То може да доведе до губитка вида.
5. Немојте да изазивате кратак спој уложка батерије:
 - (1) Немојте додиривати прикључке било којим проводним материјалом.
 - (2) Избегавајте складиштење уложка батерије у кутији са другим металним предметима као што ексери, новчићи итд.
 - (3) Немојте да излажете уложак батерије води или киши.

Кратак спој батерије може да доведе до великог протока струје, прегревања, могућих опекотина, па чак и прегоривања.

6. Немојте да складиштите и користите алат и уложак батерије на местима где температура може да достигне или премаше 50 °C (122 °F).
7. Немојте да палите уложак батерије чак ни када је озбиљно оштећен или потпуно похабан. Уложак батерије може да експлодира у ватри.
8. Немојте да закивате, сечете, ломите, бацате или испуштате уложак батерије, или да њиме ударате по чврстој површини. На тај начин можете да изазовете пожар, прекомерно загревање или експлозију.
9. Немојте да користите оштећену батерију.
10. Садржане литијум-јонске батерије подлежу Закону о превозу опасних материја. Приликом комерцијалног превоза, нпр. од стране трећих лица и превозника, мора се обратити посебна пажња на специјалне захтеве паковања и обележавања. Приликом припреме материјала за превоз, потребно је саветовати се са стручњаком за опасне материје. Такође обратите пажњу на евентуалне даље националне прописе. Омотајте траком или прекријте отворене контакте и запакујте батерију тако да се не може померати унутар паковања.
11. Када одлажете уложак батерије на отпад, извадите га из алата и одложите на безбедно место. Придржавајте се локалних прописа у вези са одлагањем батерије.

12. Батерије користите само са производима које је навела компанија Makita. Постављање батерије на производе који нису усаглашени може да доведе до пожара, прекомерне топлоте, експлозије или цурења електролита.
13. Ако се алат не користи током дужег периода, батерија мора да се извади из алата.
14. Током и након коришћења, уложак батерије може да акумулира толико топлоте да то може довести до опекотина, уобичајених и нискотемпературних. Пажљиво рукујте врућим улошцима батерије.
15. Не додирујте контакте алата одмах након коришћења јер су можда толико врући да могу да изазову опекотине.
16. Водите рачуна да се струготина, прашина или земља не заглаве у контактима, рупицама и жлебовима уложка батерије. То може проузроковати загревање, запаљивање, пуцање и неисправност алата или уложка батерије, што може да доведе до опекотина или телесних повреда.
17. Осим ако алат то не подржава, немојте да користите уложак батерије близу високонапонских разводних линија електричне струје. У супротном може доћи до квара или прегоривања алата или уложка батерије.
18. Држите батерију ван домашаја деце.

САЧУВАЈТЕ ОВО УПУТСТВО.

▲ПАЖЊА: Користите само оригиналне Makita батерије. Коришћење Makita батерија које нису оригиналне или батерија које су измењене може да доведе до пуцања батерије, које може да изазове пожар, телесне повреде или штету. То ће такође поништити гаранцију компаније Makita за Makita алат и пуњач.

Савети за максимално трајање батерије

1. Напуните уложак батерије пре него што се потпуно испразни. Сваки пут прекините рад са алатом и напуните уложак батерије када приметите да је снага алата слабија.
2. Никада немојте да поново пуните потпуно напуњени уложак батерије. Препуњавање скраћује радни век батерије.
3. Пуните уложак батерије на собној температури између 10°C и 40°C (између 50°F и 104°F). Сачекајте да се врући уложак батерије охлади пре пуњења.
4. Када не користите уложак батерије, извадите га из алата или пуњача.
5. Напуните уложак батерије ако га нећете користити дуже време (више од шест месеци).

ОПИС НАЧИНА ФУНКЦИОНИСАЊА

▲ ПАЖЊА: Пре подешавања или провере функција алата увек проверите да ли је алат искључен и да ли је уложак батерије уклоњен.

Постављање и уклањање улошка батерије

▲ ПАЖЊА: Увек искључите алат пре постављања или уклањања улошка батерије.

▲ ПАЖЊА: Држите чврсто алат и уложак батерије када постављате или уклањате уложак батерије. Ако алат и уложак батерије не будете држали чврсто, могу вам исклизнути из руке, оштетити се при паду и повредити вас.

► **Слика1:** 1. Црвени индикатор 2. Дугме 3. Уложак батерије

Да бисте уклонили уложак батерије, клизањем га извуците из алата док клизањем померате дугме на предњој страни улошка.

Да бисте поставили уложак батерије, поравнајте језицак на њему са жлебом на куишту и гурните га на место. Гурните га до краја тако да легне на своје место и чује се тихо шкљоцање. Ако видите црвени индикатор као што је приказано на слици, уложак батерије није потпуно закључан.

▲ ПАЖЊА: Увек до краја гурните уложак батерије тако да се црвени индикатор не види. У супротном, он случајно може испати из алата и повредити вас или неку особу у вашој близини.

▲ ПАЖЊА: Немојте на силу да постављате уложак батерије. Ако уложак не можете лако да гурнете, то значи да га не постављате исправно.

Приказ преосталог капацитета батерије

Притисните дугме за проверу на улошку батерије да бисте приказали преостали капацитет батерије. Индикаторске лампце ће се укључити на неколико секунди.

► **Слика2:** 1. Индикаторске лампце 2. Дугме за проверу

Индикаторске лампце			Преостали капацитет
Светли	Искључено	Трепће	
■	□	▧	
■ ■ ■ ■			Од 75% до 100%
■ ■ ■ □			Од 50% до 75%
■ ■ □ □			Од 25% до 50%
■ □ □ □			Од 0% до 25%
▧ □ □ □			Напуните батерију.
■ ■ □ □	□ □	■ ■	Могуће је да је батерија постала неисправна.

НАПОМЕНА: У зависности од услова коришћења и температуре околине, приказани капацитет може донекле да се разликује од стварног.

НАПОМЕНА: Прва (крајња лева) индикаторска лампица трепери када систем за заштиту батерије ради.

Систем за заштиту алата/батерије

Алат је опремљен системом за заштиту алата/батерије. Овај систем аутоматски прекида напајање мотора како би продужио век трајања алата и батерије. Алат ће се аутоматски зауставити током рада ако алат или батерија уђу у једно од следећих стања:

Заштита од преоптерећења

Када се батеријом рукује тако да она вуче превелику струју, алат ће аутоматски престати са радом без упозорења. У овој ситуацији, искључите алат и престаните са употребом која је довела до преоптерећења алата. Затим укључите алат да бисте га поново покренули.

Заштита од прегревања

Када је алат прегрејан, алат аутоматски престаје да ради и лампа почиње да трепће. У овом случају, пустите да се алат и батерија охладе пре поновног укључивања алата.

Заштита од превеликог пражњења

Када капацитет батерије није довољан, алат аутоматски престаје с радом. У том случају, уклоните батерију из алата и напуните је.

Заштита од других узрока

Систем за заштиту је такође дизајниран за друге узроке коју могу да оштете алат и омогућава му аутоматско заустављање. Обавите све следеће кораке да бисте отклонили узроке када се алат привремено заустави или заустави током рада.

1. Искључите алат, а затим га укључите да бисте га поново покренули.
2. Напуните батерије или их замените напуњеним батеријама.
3. Сачекајте да се алат и батерије охладе.

Ако поновним успостављањем система за заштиту не долази до никаквих побољшања, обратите се локалном сервисном центру компаније Makita.

Избор начина рада

Овим алатом се може руковати уз орбитални или равни (нагоре и надоле) начин рада. Орбитални начин рада лист уобичајно тестере напред и повећава брзину сечења.

► **Слика3:** 1. Ручица за промену сечења

Да бисте променили начин рада, окрените ручицу за промену сечења у жељени положај начина рада. Погледајте табелу да бисте изабрали одговарајући начин рада.

Положај	Резање	Примена
0	Сечење по правој линији	За сечење угљеничног челика, нерђајућег челика и пластике. За чисто сечење у дрвету и шперплочи.
I	Сечење по малој оси	За сечење угљеничног челика, алуминијума и тврдог дрвета.
II	Сечење по средњој оси	За резање дрвета и шперплоче. За брзо сечење у алуминијуму и угљеничном челику.
III	Сечење по великој оси	За брзо сечење у дрвету и шперплочи.

Укључивање предње лампе

▲ ПАЗЊА: Немојте да гледате у лампу ни директно у извор светлости.

Притисните прекидач за закључавање да бисте укључили лампу. Поново притисните прекидач за закључавање да бисте искључили лампу.

► **Слика4:** 1. Прекидач за закључавање 2. Лампа

ОБАВЕШТЕЊЕ: Када се алат прегреје, лампица трепери. Сачекајте да се алат потпуно охлади пре него што наставите са радом.

НАПОМЕНА: Сувом крпом обришите прљавштину са сочива лампе. Пазите да не огребете сочиво лампе, јер тако можете смањити осветљеност.

Функционисање прекидача

Да бисте укључили алат, притисните прекидач за закључавање. Алат одлази у режим мировања. За покретање алата, притисните прекидач за укључивање/режим мировања док је алат у режиму мировања. Да бисте зауставили алат, поново притисните прекидач за укључивање/режим мировања. Алат одлази у режим мировања. Да бисте искључили алат, притисните прекидач за закључавање док је алат у режиму мировања.

► **Слика5:** 1. Прекидач за закључавање 2. Прекидач за укључивање/режим мировања

НАПОМЕНА: Ако алат који се налази у режиму мировања не користите 10 секунди, он ће се аутоматски искључити, а лампица ће се угасити.

НАПОМЕНА: Алат можете да зауставите и да га искључите тако што ћете притиснути прекидач за закључавање док алат ради.

Да бисте смањили осветљеност лампе, притисните и држите прекидач за закључавање када прелазите у режим мировања. Отприлике 1 секунду након што почнете да притискате прекидач за закључавање, осветљеност лампе ће почети да се смањује, папустите прекидач за закључавање када достигнете жељену осветљеност. Такође враћа алат у режим мировања. Отприлике 3 секунде након што почнете да притискате прекидач за закључавање, осветљеност лампе ће бити смањена и осветљеност се неће променити након тога.

НАПОМЕНА: Осветљеност лампе не може да се подеси док је алат у режиму мировања. Искључите алат да бисте смањили осветљеност лампе.

НАПОМЕНА: Не постоји меморијска функција за осветљеност лампе. Ако искључите лампу, а затим је укључите, осветљеност лампе ће бити сваки пут повећана.

Бројчаник за подешавање брзине

► **Слика6:** 1. Бројчаник за подешавање брзине

Брзина рада алата може да се подешава окретањем бројчаника за подешавање брзине. Највећу брзину ћете постићи окретањем бројчаника на 6, а најмању на 1.

Погледајте табелу да бисте изабрали одговарајућу брзину за предмет обраде који треба да сечете. Међутим, одговарајућа брзина може да се разликује у зависности од врсте и дебљине предмета обраде. Уопштено говорећи, већа брзина омогућава брже резање предмета обраде, али се радни век листа убудне тестере скраћује.

Предмет обраде	Број
Дрво	4–6
Угљенични челик	3–6
Нерђајући челик	3–4
Алуминијум	3–6
Пластика	1–4

ОБАВЕШТЕЊЕ: Бројчаник за подешавање брзине се може окренути само до 6 и назад до 1. Немојте на силу да покушавате да окренете даље од 6 или 1 пошто функција за подешавање брзине може престати да ради.

Електронска функција

Алат је опремљен електронским функцијама за једноставно управљање.

Лагани старт

Функција лаганог старта ублажава шок при покретању и омогућава лако покретање алата.

Регулатор константне брзине

Електронска регулација брзине за постизање константне брзине. Могуће је добити фина завршну обраду јер се брзина ротације одржава константном чак и у условима оптерећења.

Слабо ротирање без оптерећења

Када је бројчаник за подешавање брзине подешен на „3“ или више, алат аутоматски смањује брзину када нема оптерећења да би смањио вибрације и лако поравнао лист убудне тестере са линијом сечења. Када алат почне да сече предмет обраде, брзина алата се повећава и достиже претходно подешену брзину.

НАПОМЕНА: Када је температура ниска, ова функција можда неће бити доступна. Ова функција такође можда неће бити доступна у зависности од врсте материјала.

НАПОМЕНА: Ако се брзина не смањи након сечења предмета обраде, искључите алат, а затим га поново укључите.

Онемогућавање или омогућавање функције слабог ротирања без оптерећења

Да бисте онемогућили или омогућили функцију слабог ротирања без оптерећења, пратите следеће бројеве.

1. Уверите се да је алат искључен.
2. Подесите бројчаник за подешавање брзине на „1“.
3. Притисните прекидач за закључавање да бисте укључили алат.
4. Окрените бројчаник за подешавање брзине на „6“, а затим га вратите на „1“.

Лампа ће двапут засветлети када је функција слабог ротирања без оптерећења онемогућена или омогућена. Да бисте поново омогућили или онемогућили ову функцију, обавите поново исти поступак.

НАПОМЕНА: Ако је функција слабог ротирања без оптерећења онемогућена, лампа ће двапут засветлети када се алат укључи.

НАПОМЕНА: Функцију слабог ротирања без оптерећења можете да онемогућите или омогућите и тако што ћете променити бројчаник за подешавање брзине на „6“ – „1“ – „6“.

Електрична кочница

Алат је опремљен електричном кочницом. Ако се више пута деси да се алат не зауставља брзо након пуштања окидача прекидача, однесите га у Makita сервисни центар.

СКЛАПАЊЕ

ПАЖЊА: Пре обављања било каквог посла на алату увек проверите да ли је он искључен и да ли је уложак батерије уклоњен.

Монтирање или уклањање листа убудне тестере

ПАЖЊА: Са листа убудне тестере и/или држача листа увек очистите пиљевину и страна тела. У супротном ће лист убудне тестере бити слабо стегнут због чега може да дође до озбиљних повреда.

ПАЖЊА: Немојте додиривати лист убудне тестере ни предмет обраде одмах после завршетка рада. Могу да буду врели и да вас опеку.

ПАЖЊА: Увек добро причврстите лист убудне тестере. Недовољно причвршћивање може да доведе до ломљења листа убудне тестере или озбиљних телесних повреда.

ПАЖЊА: Када уклањате лист убудне тестере, водите рачуна о томе да не повредите прсте врхом листа убудне тестере или врховима предмета обраде.

Пре постављања листа убудне тестере се постарајте да полуга клеме за лист убудне тестере буде у отпушеном положају.

Да бисте поставили лист убудне тестере, гурајте га (са зупцима окренутим унапред) у држач листа убудне тестере док се не заочи. Полуга клеме за лист убудне тестере се самостално помера у фиксирани положај и лист убудне тестере се закључава. Постарајте се да задњи крај листа убудне тестере улегне у ваљак. Нежно повуците лист убудне тестере да бисте се уверили да неће испасти током рада.

► **Слика7:** 1. Полуга клеме за лист убудне тестере (фиксирани положај) 2. Полуга клеме за лист убудне тестере (отпуштени положај)

► **Слика8:** 1. Држач листа убудне тестере 2. Полуга клеме за лист убудне тестере (отпуштени положај) 3. Лист убудне тестере 4. Ваљак

ПАЖЊА: Не отварајте претерано отварач алата, јер то може довести до оштећења алата.

Да бисте уклонили лист убудне тестере, отворите отварач алата према напред докле год иде. Тако ћете моћи да отпустите лист убудне тестере.

► **Слика9:** 1. Држач листа убудне тестере 2. Отварач алата 3. Лист убудне тестере

НАПОМЕНА: У случају да је уклањање листа убудне тестере отежано:

Окрените ручицу за промену сечења у положај „III“ и полако укључите алат неколико пута тако да се држач листа убудне тестере помери на дно.

Уверите се да је полука клеме за лист убудне тестере у фиксираном положају када укључујете алат.

Уклоните уложак батерије из алата пре постављања или уклањања листа убудне тестере.

НАПОМЕНА: Повремено подмажите ваљак.

Складиштење имбус кључа

Када се не користи, имбус кључ складиштите као што је приказано на слици да се не би загубио.

► **Слика10:** 1. Постоље 2. Имбус кључ

Поклопац

Поклопац употребљавајте приликом резања украсног фурнира, пластике итд. Поклопац штити осетљиве површине од оштећења. Причврстите га на доњу страну постоља.

► **Слика11:** 1. Поклопац 2. Постоље

Штитник од расцепкавања

▲ПАЖЊА: Приликом тестерисања под нагибом постављање штитника од расцепкавања није могуће.

Предмет обраде можете да заштитите од расцепкавања ако користите штитник. Постоље алата померите до краја унапред и причврстите штитник од расцепкавања са доње стране постоља алата.

Када користите поклопац, поставите штитник од расцепкавања на поклопац.

► **Слика12:** 1. Постоље 2. Штитник од расцепкавања

Избацивање прашине

Опциони додатни прибор

Млазница за прашину се препоручује за обављање чистог сечења.

Да бисте поставили млазницу за прашину на алат, уметните куку млазнице за прашину у отвор на постољу.

► **Слика13:** 1. Млазница за прашину 2. Постоље

Да бисте причврстили млазницу за прашину, затегните затезни завртањ на предњој страни млазнице за прашину. Млазница за прашину може да се постави и са леве и са десне стране постоља.

► **Слика14:** 1. Затезни завртањ

Затим повежите Makita усисивач са млазницом за прашину.

► **Слика15:** 1. Млазница за прашину 2. Црево за усисивач

РАД

▲ПАЖЊА: Основу алата увек држите у равни са предметом обраде. У супротном може да дође до ломљења листа убудне тестере и озбиљних повреда.

▲ПАЖЊА: Када режете криве линије или резбарите, споро напредујте алатом. Ако вршите притисак на алат, тестерисаћете укриво, а лист убудне тестере може да пукне.

Укључите алат тако да лист убудне тестере ништа не додирује, а затим сачекајте да лист убудне тестере достигне пуну брзину. Затим поставите постоље равно на предмет обраде и полако померите алат унапред дуж претходно означене линије сечења.

► **Слика16:** 1. Линија сечења 2. Постоље

Резање под углом

▲ПАЖЊА: Пре него што искосите основу, обавезно проверите да ли је алат искључен из утичнице, а уложак батерије извађен из алата.

Док је основа накривљена, можете да режете под било којим углом између 0° и 45° (лево и десно).

► **Слика17**

Да бисте накривили постоље, олабавите завртањ на дну постоља помоћу имбус кључа. Померите постоље тако да завртањ буде позициониран у центру закошеног прореза у постољу.

► **Слика18:** 1. Имбус кључ 2. Завртањ 3. Постоље

Нагињите постоље док не достигнете жељени угао закошења. Зарез у облику слова „V“ кућишта зупчаника приказује угао закошења по подеоцима. Затим чврсто затегните завртањ да бисте причврстили постоље.

► **Слика19:** 1. Закошени прорез 2. Постоље 3. Завртањ 4. Подеоци 5. Зарез у облику слова „V“ 6. Кућиште зупчаника

Предњи резови у истој равни

Отпустите завртањ на дну постоља помоћу имбус кључа и гурните постоље уназад до краја. Затим затегните завртањ да бисте причврстили постоље.

► **Слика20:** 1. Имбус кључ 2. Завртањ 3. Постоље

Усеци

Усеци могу да се направе на један од следећа два начина: „Бушење почетне рупе“ или „Упуштено резање“.

Бушење почетне рупе

Код унутрашњих усека без доводног реза од ивице предмета обраде, направите почетну рупу пречника 12 мм или више. У рупу убаците лист убудне тестере да бисте почели да усецате.

► **Слика21**

Упуштено резање

Није вам потребно бушење почетне рупе нити прављење доводног реза ако пажљиво поступате на следећи начин.

► Слика22

1. Нагните алат нагоре на предњу ивицу основе тако да врх листа убудне тестере буде постављен тик изнад површине предмета обраде.
2. Примените притисак на алат тако да предња ивица основе не склизне када укључите алат и лагано спустите задњи крај алата.
3. Чим лист убудне тестере продре у предмет обраде, основу почните лагано да спуштате на површину предмета обраде.
4. Усек завршите уобичајеним начином тестерисања.

Обрада ивица

Да бисте обрадили ивице или направили корекције димензија предмета обраде, лист убудне тестере лагано водите дуж резних ивица.

► Слика23

Резање метала

Увек користите одговарајуће расхладно средство (резно уље) када сечете метал. У супротном може да дође до значајног хабања листа убудне тестере. На доњу страну предмета обраде можете да нанесете маст уместо расхладног средства.

Граничник

Опциони додатни прибор

▲ ПАЗЊА: Пре постављања и скидања додатног прибора обавезно проверите да ли алат искључен из утичнице, а уложак батерије извађен из алата.

Равни резови

Када више пута узастопно режете ширине од 160 мм или мање, користите граничник да бисте омогућили брзе, чисте и праве резове.

- **Слика24:** 1. Регулатор против расцепкавања (паралелни граничник)

Да бисте монтирали граничник, поставите га на правоугаони отвор са бочне стране основе тако да паралелни граничник буде окренут надолу. Гурните граничник до положаја жељене ширине реза, а затим причврстите завртањ да бисте га обезбедили.

- **Слика25:** 1. Имбус кључ 2. Завртањ 3. Паралелни граничник 4. Регулатор против расцепкавања (паралелни граничник)

Кружни резови

За кружне или лучне усеке чији је полупречник 170 мм или мањи, регулатор тестерисања поставите на следећи начин.

- **Слика26:** 1. Регулатор против расцепкавања (паралелни граничник)

▲ ПАЗЊА: Не додирујте врх кружне вођице. Оштар врх кружне вођице може изазвати повреду.

1. Регулатор тестерисања убаците у правоугаони отвор на бочној страни основе алата уз поравнање паралелног граничника према горе.
2. Уметните кружну вођицу кроз било који од два отвора на паралелном граничнику. Заврните дугме са навојем на кружну вођицу да бисте причврстили кружну вођицу.
- **Слика27:** 1. Дугме са навојем 2. Паралелни граничник 3. Регулатор против расцепкавања (паралелни граничник) 4. Кружна вођица 5. Завртањ
3. Гурните регулатор против расцепкавања до жељеног радијуса сечења и затегните завртањ да бисте га причврстили.

НАПОМЕНА: За кружне или лучне резове увек користите листове убудне тестере са ознакама В-17, В-18, В-26 или В-27.

Комплет адаптера за шину водилицу

Опциони додатни прибор

Приликом паралелних и уједначених ширина резања или правог резања, коришћење шине водилице и адаптера за шину водилицу ће осигурати брзе и јасне резове. Да бисте поставили адаптер за шину водилицу, уметните паралелну траку у квадратни отвор на основи док год иде. Чврсто затегните завртањ помоћу имбус кључа.

- **Слика28:** 1. Имбус кључ 2. Паралелна трака 3. Завртањ

Уметните паралелну траку у квадратни отвор адаптера за шину водилицу и чврсто затегните завртањ. Поставите адаптер за шину водилицу на шину водилицу.

- **Слика29:** 1. Адаптер за шину водилицу 2. Шина водилица 3. Завртањ

ОБАВЕШТЕЊЕ: Увек користите листове убудне тестера бр. В-8, В-13, В-16, В-17 или 58 када користите шину водилицу и адаптер за шину водилицу.

ОДРЖАВАЊЕ

⚠ ПАЗЊА: Пре него што почнете с прегледом или одржавањем алата, искључите алат и уклоните уложак батерије.

ОБАВЕШТЕЊЕ: Никад немојте да користите нафту, бензин, разређивач, алкохол и слична средства. Може доћи до губитка боје, деформације или оштећења.

БЕЗБЕДАН и ПОУЗДАН рад алата гарантујемо само ако поправке, свако друго одржавање или подешавање, препустите овлашћеном сервису компаније Makita или фабричком сервису, уз употребу оригиналних резервних делова компаније Makita.

ОПЦИОНИ ПРИБОР

⚠ ПАЗЊА: Ова опрема и прибор су предвиђени за употребу са алатом Makita описаним у овом упутству за употребу. Употреба друге опреме и прибора може да доведе до повреда. Користите делове прибора или опрему искључиво за предвиђену намену.

Да бисте добили више детаља у вези са овим прибором, обратите се локалном сервисном центру компаније Makita.

- Листови убодне тестере
- Имбус кључ 4
- Комплет регулатора против расцепкавања (паралелни граничник)
- Комплет адаптера за шину водилицу
- Комплет за шину водилицу
- Штитник од расцепкавања
- Поклопац
- Склоп одвода за прашину
- Makita оригинална батерија и пуњач

НАПОМЕНА: Поједине ставке на листи могу бити укључене у садржај паковања алата као стандардна опрема. Оне се могу разликовати од земље до земље.

SPECIFICAȚII

Model:		JV001G
Lungimea cursei		26 mm
Curse pe minut		800 - 3.500 min ⁻¹
Tipul pânzei		Tip B
Capacități maxime de tăiere	Lemn	135 mm
	Oțel moale	10 mm
	Aluminiu	20 mm
Lungime totală (cu BL4025)		283 mm
Tensiune nominală		36 V - 40 V cc. max
Greutate netă		2,6 - 2,9 kg

- Datorită programului nostru continuu de cercetare și dezvoltare, specificațiile pot fi modificate fără o notificare prealabilă.
- Specificațiile pot varia în funcție de țară.
- Greutatea poate diferi în funcție de accesoriu(ii), inclusiv cartușul acumulatorului. În tabel se prezintă combinația cea mai ușoară și cea mai grea, conform Procedurii EPTA 01/2014.

Cartușul acumulatorului și încărcătorul aplicabile

Cartușul acumulatorului	BL4020 / BL4025 / BL4040
Încărcător	DC40RA / DC40RB / DC40RC

- Este posibil ca unele cartușe ale acumulatorilor și încărcătoare menționate mai sus să nu fie disponibile în funcție de regiunea dvs. de reședință.

⚠️ AVERTIZARE: Utilizați numai cartușele de acumulator și încărcătoarele enumerate mai sus. Utilizarea oricărui altor cartușe de acumulator și încărcătoare poate duce la rănire și/sau incendiu.

Destinația de utilizare

Mașina este destinată tăierii lemnului, plasticului și metalului.

Zgomot

Nivelul de zgomot normal ponderat A determinat în conformitate cu EN62841-2-11:

Nivel de presiune acustică (L_{pA}): 87 dB(A)

Nivel de putere acustică (L_{WA}): 98 dB (A)

Marjă de eroare (K): 3 dB(A)

NOTĂ: Valoarea (valorile) totală(e) a (ale) emisiilor de zgomot declarate a(u) fost măsurată(e) în conformitate cu o metodă de test standard și poate (pot) fi utilizată(e) pentru compararea unei unelte cu alta.

NOTĂ: Valoarea (valorile) totală(e) a (ale) emisiilor de zgomot declarate poate (pot) fi, de asemenea, utilizată(e) într-o evaluare preliminară a expunerii.

⚠️ AVERTIZARE: Purtați echipament de protecție pentru urechi.

⚠️ AVERTIZARE: Emisiile de zgomot în timpul utilizării efective a unelei electrice poate diferi de valoarea (valorile) nivelului declarat, în funcție de modul în care unealta este utilizată, în special ce fel de piesă este prelucrată.

⚠️ AVERTIZARE: Asigurați-vă că identificați măsurile de siguranță pentru a proteja operatorul, acestea fiind bazate pe o estimare a expunerii în condiții reale de utilizare (luând în considerare toate părțile ciclului de operare, precum timpii în care unealta a fost oprită, sau a funcționat în gol, pe lângă timpul de declanșare).

Vibrații

Valoarea totală a vibrațiilor (suma vectorilor tri-axiali) determinată conform EN62841-2-11:

Mod de lucru: tăiere plăci

Emisie de vibrații ($a_{h,B}$): 4,6 m/s²

Marjă de eroare (K): 2,5 m/s²

Mod de lucru: tăiere tablă

Emisie de vibrații ($a_{h,M}$): 4,8 m/s²

Marjă de eroare (K): 1,5 m/s²

NOTĂ: Valoarea (valorile) totală(e) a (ale) nivelului de vibrații declarat a (au) fost măsurată(e) în conformitate cu o metodă de test standard și poate (pot) fi utilizată(e) pentru compararea unei unelte cu alta.

NOTĂ: Valoarea (valorile) totală(e) a (ale) nivelului de vibrații declarat poate (pot) fi, de asemenea, utilizată(e) într-o evaluare preliminară a expunerii.

⚠️ AVERTIZARE: Nivelul de vibrații în timpul utilizării efective a unelei electrice poate diferi de valoarea (valorile) nivelului declarat, în funcție de modul în care unealta este utilizată, în special ce fel de piesă este prelucrată.

⚠️ AVERTIZARE: Asigurați-vă că identificați măsurile de siguranță pentru a proteja operatorul, acestea fiind bazate pe o estimare a expunerii în condiții reale de utilizare (luând în considerare toate părțile ciclului de operare, precum timpii în care unealta a fost oprită, sau a funcționat în gol, pe lângă timpul de declanșare).

Declarații de conformitate

Numai pentru țările europene

Declarațiile de conformitate sunt incluse ca Anexa A la acest manual de instrucțiuni.

AVERTIZĂRI DE SIGURANȚĂ

Avertismente generale de siguranță pentru mașinile electrice

⚠️ AVERTIZARE Citiți toate avertizările privind siguranța, instrucțiunile, ilustrațiile și specificațiile furnizate cu această mașină electrică. Nerespectarea integrală a instrucțiunilor de mai jos poate provoca electrocutări, incendii și/sau accidente grave.

Păstrați toate avertismentele și instrucțiunile pentru consultări ulterioare.

Termenul „mașină electrică” din avertizări se referă la mașinile dumneavoastră electrice acționate de la rețea (prin cablu) sau cu acumulator (fără cablu).

Avertismente privind siguranța pentru ferăstrăul pendular cu acumulator

1. **Țineți mașina electrică de suprafețele de prindere izolate atunci când efectuați o operațiune în care accesoriul de tăiere poate intra în contact cu fire ascuse.** Accesoriul de tăiere care intră în contact cu un fir aflat sub tensiune poate pune sub tensiune componentele metalice neizolate ale mașinii electrice și poate produce un șoc electric asupra operatorului.
2. **Folosiți bride sau altă metodă practică de a fixa și sprijini piesa de prelucrat pe o platformă stabilă.** Fixarea piesei cu mâna sau strângerea acesteia la corp nu prezintă stabilitate și poate conduce la pierderea controlului.
3. **Folosiți întotdeauna viziere sau ochelari de protecție. Ochelarii obișnuiți sau ochelarii de soare NU sunt ochelari de protecție.**
4. **Evitați tăierea cuielei.** Inspectați piesa de prelucrat și eliminați cuiele din aceasta înainte de începerea lucrării.
5. **Nu tăiați piese supradimensionate.**
6. **Verificați distanța corectă din jurul piesei de prelucrat înainte de tăiere, astfel încât pânza de ferăstrău mecanic să nu lovească podeaua, bancul de lucru etc.**
7. **Țineți bine mașina.**
8. **Asigurați-vă că pânza de ferăstrău mecanic nu intră în contact cu piesa de prelucrat înainte de a conecta comutatorul.**
9. **Țineți mâinile la distanță de piesele în mișcare.**
10. **Nu lăsați mașina în funcțiune. Folosiți mașina numai când o țineți cu mâinile.**
11. **Opriti întotdeauna mașina și așteptați ca pânza de ferăstrău mecanic să se oprească complet înainte de a scoate pânza de ferăstrău mecanic din piesa prelucrată.**
12. **Nu atingeți pânza de ferăstrău mecanic sau piesa de prelucrat imediat după executarea lucrării; acestea pot fi extrem de fierbinți și pot provoca arsuri ale pielii.**
13. **Nu acționați mașina în gol în mod inutil.**
14. **Unele materiale conțin substanțe chimice care pot fi toxice. Aveți grijă să nu inhalați praful și evitați contactul cu pielea. Respectați instrucțiunile de siguranță ale furnizorului.**
15. **Folosiți întotdeauna masca de protecție contra prafului adecvată pentru materialul și aplicația la care lucrați.**

PĂSTRAȚI ACESTE INSTRUCȚIUNI.

⚠️ AVERTIZARE: NU permiteți comodității și familiarizării cu produsul (obținute prin utilizare repetată) să înlocuiască respectarea strictă a normelor de securitate pentru acest produs. FOLOSIREA INCORECTĂ sau nerespectarea normelor de securitate din acest manual de instrucțiuni poate provoca vătămări corporale grave.

Instrucțiuni importante privind siguranța pentru cartușul acumulatorului

1. Înainte de a folosi cartușul acumulatorului, citiți toate instrucțiunile și atenționările de pe (1) încarcătorul acumulatorului, (2) acumulatorul și (3) produsul care folosește acumulatorul.
2. Nu dezamblați și nu interveniți asupra cartușului acumulatorului. Acest lucru poate cauza incendii, căldură excesivă sau explozii.
3. Dacă timpul de funcționare s-a redus excesiv, întrerupeți imediat funcționarea. Aceasta poate prezenta risc de supraîncălzire, posibile arsuri și chiar explozie.
4. Dacă electrolitul pătrunde în ochi, clătiți bine ochii cu apă curată și consultați imediat un medic. Există risc de orbire.
5. Nu scurtcircuitați cartușul acumulatorului:
 - (1) Nu atingeți bornele cu niciun material conductor.
 - (2) Evitați depozitarea cartușului acumulatorului la un loc cu alte obiecte metalice cum ar fi cuie, monede etc.
 - (3) Nu expuneți cartușul acumulatorului la apă sau ploaie.

Un scurtcircuit al acumulatorului poate provoca un flux puternic de curent electric, supraîncălzire, posibile arsuri și chiar defectarea mașinii.

6. Nu depozitați și nu utilizați mașina și cartușul acumulatorului în locuri în care temperatura poate atinge sau depăși 50 °C (122 °F).
7. Nu incinerati cartușul acumulatorului chiar dacă acesta este grav deteriorat sau complet uzat. Cartușul acumulatorului poate exploda în foc.
8. Nu introduceți cuie în cartușul acumulatorului, nu îl tăiați, striviți, aruncați sau scăpați și nu îl loviți cu un obiect dur. Astfel de acțiuni pot provoca incendii, căldură excesivă sau explozii.
9. Nu utilizați un acumulator deteriorat.
10. Acumulatorii Li-Ion încorporați se supun cerințelor Legislației privind substanțele periculoase.

Pentru transporturi comerciale, efectuate de exemplu de către părți terțe, expeditori, trebuie respectate cerințele speciale de ambalare și etichetare.

Pentru pregătirea articolului care urmează să fie expediat, este necesară consultarea unui expert în materiale periculoase. Vă rugăm să respectați, de asemenea, reglementările naționale, care pot fi mai detaliate.

Izolați sau acoperiți contactele deschise și împachetați acumulatorul în așa fel încât să nu se poată mișca în ambalaj.
11. Atunci când eliminați la deșeuri cartușul acumulatorului, scoateți-l din mașină și eliminați-l într-un loc sigur. Respectați normele naționale privind eliminarea la deșeuri a acumulatorului.

12. Utilizați acumuloarele numai cu produsele specificate de Makita. Instalarea acumulatorilor în produse neconforme poate cauza incendii, căldură excesivă, explozii sau scurgeri de electrolit.
13. Dacă mașina nu este utilizată o perioadă lungă de timp, acumulatorul trebuie scos din acesta.
14. În timpul utilizării și după aceea, cartușul acumulatorului se poate încălzi, ceea ce poate cauza arsuri sau arsuri la temperaturi scăzute. Fiți atenți la manipularea cartușelor de acumulator atunci când sunt fierbinți.
15. Nu atingeți borna mașinii imediat după utilizare, întrucât se poate încălzi foarte tare și poate provoca arsuri.
16. Nu lăsați să pătrundă așchii, praf sau pământ în borne, în orificii și în canelurile cartușului acumulatorului. Acest lucru poate provoca încălzirea, aprinderea, explozia și defectarea mașinii sau a cartușului acumulatorului, cauzând arsuri sau vătămări corporale.
17. Nu utilizați cartușul acumulatorului în apropierea liniilor electrice de înaltă tensiune, cu excepția cazului în care mașina suportă utilizarea în apropierea liniilor electrice de înaltă tensiune. Acest lucru poate duce la funcționarea necorespunzătoare sau la defectarea mașinii sau a cartușului acumulatorului.
18. Țineți acumulatorul la distanță de copii.

PĂSTRAȚI ACESTE INSTRUCȚIUNI.

ATENȚIE: Folosiți numai acumulatori Makita originali. Acumulatorii Makita care nu sunt originali și acumulatorii care au suferit modificări se pot aprinde, provocând incendii, leziuni corporale și daune. De asemenea, anulează garanția oferită de Makita pentru unele și încarcătorul Makita.

Sfaturi pentru obținerea unei durate maxime de exploatare a acumulatorului

1. Încărcați cartușul acumulatorului înainte de a se descărca complet. Întrerupeți întotdeauna funcționarea mașinii și încărcați cartușul acumulatorului când observați o scădere a puterii mașinii.
2. Nu reîncărcați niciodată un acumulator complet încărcat. Supraîncărcarea va scurta durata de exploatare a acumulatorului.
3. Încărcați cartușul acumulatorului la temperatura camerei, între 10 °C - 40 °C (50 °F - 104 °F). Lăsați un acumulator fierbinte să se răcească înainte de a-l încărca.
4. Atunci când nu utilizați cartușul acumulatorului, scoateți-l din mașină sau din încarcător.
5. Încărcați cartușul acumulatorului în cazul în care nu a fost utilizat pe o perioadă mai lungă (mai mult de șase luni).

DESCRIEREA FUNCȚIILOR

ATENȚIE: Asigurați-vă întotdeauna că mașina este oprită și cartușul acumulatorului este scos înainte de a ajusta sau verifica funcționarea mașinii.

Instalarea sau scoaterea cartușului acumulatorului

ATENȚIE: Opriți întotdeauna mașina înainte de montarea sau demontarea cartușului de acumulator.

ATENȚIE: Țineți ferm mașina și cartușul acumulatorului la montarea sau demontarea cartușului. În cazul în care nu țineți ferm mașina și cartușul de acumulator, acestea vă pot aluneca din mâini, rezultând defectarea mașinii și cartușului de acumulator, precum și în accidente personale.

► Fig.1: 1. Indicator roșu 2. Buton 3. Cartușul acumulatorului

Pentru a scoate cartușul acumulatorului, glisați-l din mașină în timp ce glisați butonul de pe partea frontală a cartușului.

Pentru a monta cartușul acumulatorului, aliniați limba de pe cartușul acumulatorului cu canalul din carcasă și introduceți-l în locaș. Introduceți-l complet, până când se înclichetează în locaș. Dacă vedeți indicatorul roșu, astfel cum se arată în imagine, acesta nu este blocat complet.

ATENȚIE: Instalați întotdeauna cartușul acumulatorului complet, până când indicatorul roșu nu mai este vizibil. În caz contrar, acesta poate cădea accidental din mașină provocând rănirea dumneavoastră sau a persoanelor din jur.

ATENȚIE: Nu forțați cartușul acumulatorului la montare. Dacă acesta nu glisează ușor, înseamnă că a fost introdus incorect.

Indicarea capacității rămase a acumulatorului

Apăsați butonul de verificare de pe cartușul acumulatorului, astfel încât să se indice capacitățile rămase ale acumulatorului. Lămpile indicatorului vor lumina timp de câteva secunde.

► Fig.2: 1. Lămpi indicatoare 2. Buton de verificare

Lămpi indicatoare			Capacitate rămasă
Iluminat	Oprit	Iluminare intermitentă	
■ ■ ■ ■			între 75% și 100%
■ ■ ■ □			între 50% și 75%
■ ■ □ □			între 25% și 50%
■ □ □ □			între 0% și 25%
▬ □ □ □			Încărcați acumulatorul.
■ ■ □ □			Este posibil ca acumulatorul să fie defect.
□ □ ■ ■	↑ ↓		

NOTĂ: În funcție de condițiile de utilizare și temperatura ambientală, indicația poate fi ușor diferită de capacitatea reală.

NOTĂ: Prima lampă indicatoare (extremitatea stângă) va lumina intermitent când sistemul de protecție a acumulatorului funcționează.

Sistem de protecție mașină/acumulator

Mașina este prevăzută cu un sistem de protecție mașină/acumulator. Acest sistem întrerupe automat alimentarea motorului pentru a extinde durata de funcționare a mașinii și acumulatorului. Mașina se va opri automat în timpul funcționării dacă mașina sau acumulatorul se află într-una din situațiile următoare:

Protecție la suprasarcină

Când acumulatorul este utilizat într-un mod care duce la un consum exagerat de curent, mașina se va opri automat, fără nicio indicație. În această situație, opriți mașina și aplicația care a dus la suprasolicitarea mașinii. Apoi, reporniți mașina.

Protecție la supraîncălzire

În momentul în care mașina sau bateria se supraîncălzeste, mașina se oprește automat și lampa luminează intermitent. În acest caz, lăsați mașina și acumulatorul să se răcească înainte de a reporni mașina.

Protecție la supradescărcare

Când capacitatea acumulatorului scade, unealta se oprește automat. În acest caz, scoateți acumulatorul din mașină și încărcați-l.

Măsurile de protecție împotriva altor cauze

Sistemul de protecție este, de asemenea, conceput pentru alte cauze care ar putea deteriora mașina și permite mașinii să se oprească automat. Parcurgeți toți pașii următori pentru a elimina cauzele, atunci când mașina a fost oprită temporar sau a fost scoasă din funcțiune.

1. Opriti mașina, apoi porniți-o din nou pentru a reporni.
2. Încărcați acumulatorul (acumulatorii) sau înlocuiți-l (înlocuiți-i) cu un acumulator (acumulatori) încărcat (încărcați).
3. Lăsați mașina și acumulatorul (acumulatorii) să se răcească.

Dacă nu se poate observa nicio îmbunătățire prin resetarea sistemului de protecție, contactați centrul local de service Makita.

Selectarea modului de tăiere

Această mașină poate fi acționată utilizând modul de tăiere circulară sau în linie dreaptă (în sus și în jos). Modul de tăiere circulară împinge pânza ferăstrăului mecanic înainte și crește viteza de tăiere.

► **Fig.3:** 1. Pârghie de schimbare a modului de tăiere

Pentru a schimba modul de tăiere, rotiți pârghia de schimbare a modului de tăiere în poziția dorită a modului de tăiere. Consultați tabelul pentru a selecta modul de tăiere corespunzător.

Poziție	Mod de tăiere	Aplicații
0	Mod de tăiere în linie dreaptă	Pentru tăiere în oțel moale, oțel inoxidabil și materiale plastice. Pentru tăiere precisă în lemn și placaj.
I	Mod de tăiere cu orbită mică	Pentru tăiere în oțel moale, aluminiu și lemn de esență tare.
II	Mod de tăiere cu orbită medie	Pentru tăiere în lemn și placaj. Pentru tăiere rapidă în aluminiu și oțel moale.
III	Mod de tăiere cu orbită mare	Pentru tăiere rapidă în lemn și placaj.

Aprinderea lămpii frontale

ATENȚIE: Nu priviți direct în raza sau în sursa de lumină.

Apăsați comutatorul de blocare pentru a aprinde lampa. Apăsați comutatorul de blocare din nou pentru a opri lampa.

► **Fig.4:** 1. Comutator de blocare 2. Lampă

NOTĂ: În momentul în care mașina se supraîncălzește, lampa luminează intermitent. Lăsați mașina să se răcească înainte de a o folosi din nou.

NOTĂ: Folosiți o lavetă uscată pentru a șterge murdăria de pe lentila lămpii. Aveți grijă să nu zgâriați lentila lămpii deoarece, în caz contrar, iluminarea va fi redusă.

Acționarea întrerupătorului

Pentru a porni mașina, apăsați comutatorul de blocare. Mașina intră în modul standby. Pentru a porni mașina, apăsați comutatorul ON/standby în modul standby. Pentru a opri mașina, apăsați din nou comutatorul ON/standby. Mașina intră în modul standby. Pentru a opri mașina, apăsați comutatorul de blocare în modul standby.

► **Fig.5:** 1. Comutator de blocare 2. Comutator ON/standby

NOTĂ: Dacă mașina este lăsată neutilizată timp de 10 secunde în modul standby, aceasta se oprește automat, iar lampa se stinge.

NOTĂ: De asemenea, puteți opri mașina și întrerupe alimentarea acesteia apăsând comutatorul de blocare în timp ce mașina este în funcțiune.

Pentru a reduce luminozitatea lămpii, apăsați și mențineți apăsat comutatorul de blocare când treceți la modul standby. La aproximativ 1 secundă după ce începeți să apăsați comutatorul de blocare, luminozitatea lămpii va începe să scadă, așadar, eliberați comutatorul de blocare când ajungeți la luminozitatea dorită. Mașina va intra, de asemenea, în modul standby. La aproximativ 3 secunde după ce începeți să apăsați comutatorul de blocare, luminozitatea lămpii va fi redusă la minimum și luminozitatea nu se va mai modifica după aceea.

NOTĂ: Luminozitatea lămpii nu poate fi reglată în timp ce mașina este în modul standby. Opriti mașina pentru a reduce luminozitatea lămpii.

NOTĂ: Nu există nicio funcție de memorie pentru luminozitatea lămpii. Dacă opriti lampa și apoi o porniți, luminozitatea lămpii va fi la maximum de fiecare dată.

Disc rotativ pentru reglarea vitezei

► **Fig.6:** 1. Disc rotativ pentru reglarea vitezei

Viteza mașinii poate fi reglată prin rotirea discului rotativ pentru reglarea vitezei. Puteți obține cea mai mare viteză în poziția 6 și cea mai mică viteză în poziția 1. Consultați tabelul pentru a selecta viteza corectă pentru piesa de prelucrat care trebuie tăiată. Totuși, este posibil ca viteza corectă să difere în funcție de tipul sau grosimea piesei de prelucrat. În general, vitezele mai mari vă permit să tăiați mai rapid piesele de prelucrat, însă durata de exploatare a pânzei de ferăstrău mecanic se va reduce.

Piesă de prelucrat	Număr
Lemn	4 - 6
Oțel moale	3 - 6
Oțel inoxidabil	3 - 4
Aluminiu	3 - 6
Plastic	1 - 4

NOTĂ: Discul rotativ pentru reglarea vitezei poate fi rotit numai până la poziția 6 și înapoi la poziția 1. Nu îl forțați peste pozițiile 6 sau 1, deoarece funcția de reglare a vitezei se poate defecta.

Funcție electronică

Mașina este echipată cu funcții electronice pentru utilizare facilă.

Pornire lină

Funcția de pornire lină minimizează șocul de pornire și permite o pornire lină a mașinii.

Control constant al vitezei

Control electronic al vitezei pentru obținerea unei viteze constante. Permite obținerea unei finisări de calitate, deoarece viteza de rotație este menținută constantă chiar și în condiții de sarcină.

Rotație lină fără sarcină

Când discul rotativ pentru reglarea vitezei este fixat la „3” sau mai mult, mașina reduce automat viteza de funcționare în gol, pentru a reduce vibrațiile și pentru a alinia cu ușurință pânda de ferăstrău mecanic cu linia de tăiere. După ce mașina începe să taie piesa de prelucrat, viteza mașinii crește și atinge viteza prestabilită.

NOTĂ: Este posibil ca această funcție să nu fie disponibilă atunci când temperatura este scăzută. De asemenea, este posibil ca această funcție să nu fie disponibilă în funcție de tipul materialului.

NOTĂ: Dacă viteza nu scade după tăierea piesei, opriți unealta și apoi porniți-o din nou.

Dezactivarea sau activarea funcției de rotație lină fără sarcină

Pentru a dezactiva sau pentru a activa funcția de rotație lină fără sarcină, urmați pașii de mai jos.

1. Asigurați-vă că mașina este oprită.
2. Setati discul rotativ pentru reglarea vitezei la „1”.
3. Apăsați comutatorul de blocare pentru a porni mașina.
4. Rotiți discul rotativ pentru reglarea vitezei la „6” și apoi setați-l înapoi la „1”.

Lampa se aprinde intermitent de două ori atunci când funcția de rotație lină fără sarcină a fost activată sau dezactivată. Pentru a activa sau a dezactiva din nou această funcție, repetați aceeași procedură.

NOTĂ: Dacă funcția de rotație lină fără sarcină este dezactivată, lampa se aprinde intermitent de două ori atunci când mașina este pornită.

NOTĂ: De asemenea, puteți dezactiva sau activa funcția de rotație lină fără sarcină, prin comutarea discului rotativ pentru reglarea vitezei de la „6” la „1” și înapoi la „6”.

Frână electrică

Această mașină este echipată cu frână electrică. Dacă, în repetate rânduri, mașina nu se oprește rapid după ce butonul declanșator este eliberat, solicitați repararea acesteia la un centru de service Makita.

ASAMBLARE

ATENȚIE: Asigurați-vă întotdeauna că mașina este oprită și cartușul acumulatorului este scos înainte de a executa orice lucrări la mașină.

Montare sau demontare pânda de ferăstrău

ATENȚIE: Curățați întotdeauna toate așchile sau materiile străine depuse pe pânda de ferăstrău mecanic și/sau pe suportul pânzei. În caz contrar, pânda de ferăstrău mecanic ar putea fi strânsă insuficient, existând pericolul de rănire gravă.

ATENȚIE: Nu atingeți pânda sau piesa de prelucrat imediat după utilizare. Acestea pot fi extrem de fierbinți și vă pot arde pielea.

ATENȚIE: Fixați întotdeauna ferm pânda de ferăstrău mecanic. Strângerea insuficientă a pânzei de ferăstrău mecanic poate provoca ruperea acesteia sau vătămări corporale grave.

ATENȚIE: La scoaterea pânzei de ferăstrău mecanic, aveți grijă să nu vă loviți la degete cu partea superioară a pânzei de ferăstrău mecanic sau cu vârfurile piesei de prelucrat.

Înainte de instalarea pânzei de ferăstrău mecanic, asigurați-vă că pârghia dispozitivului de strângere a pânzei ferăstrăului mecanic este în poziția eliberată. Pentru a instala pânda de ferăstrău mecanic, introduceți-o (cu dinții orientați înainte) în suportul pânzei de ferăstrău mecanic până când se cuplează. Pârghia dispozitivului de strângere a pânzei de ferăstrău mecanic se mișcă singură în poziția fixă, iar pânda de ferăstrău mecanic este blocată. Asigurați-vă că muchia posterioară a pânzei de ferăstrău mecanic se angrenează în rola de ghidare. Trageți pânda de ferăstrău mecanic ușor pentru a vă asigura că aceasta nu cade în timpul utilizării.

► **Fig.7:** 1. Pârghia dispozitivului de strângere a pânzei de ferăstrău mecanic (poziție fixă)
2. Pârghia dispozitivului de strângere a pânzei de ferăstrău mecanic (poziție eliberată)

► **Fig.8:** 1. Suport pânda de ferăstrău mecanic
2. Pârghia dispozitivului de strângere a pânzei de ferăstrău mecanic (poziție eliberată)
3. Pânda de ferăstrău mecanic 4. Rolă

ATENȚIE: Nu deschideți dispozitivul de deschidere a mașinii în mod excesiv, deoarece acest lucru poate cauza deteriorarea mașinii.

Pentru a scoate pânda de ferăstrău mecanic, deschideți dispozitivul de deschidere a mașinii înainte până la punctul maxim. Acest lucru permite eliberarea pânzei de ferăstrău mecanic.

► **Fig.9:** 1. Suport pânda de ferăstrău mecanic
2. Dispozitiv de deschidere a mașinii
3. Pânda de ferăstrău mecanic

NOTĂ: În cazul în care este dificil să scoateți pânda de ferăstrău mecanic:

rotiți pârghia de schimbare a modului de tăiere în poziția „III” și porniți ușor mașina de mai multe ori, astfel încât suportul pânzei de ferăstrău mecanic să se deplaseze în jos.

Asigurați-vă că pârghia dispozitivului de strângere a pânzei de ferăstrău mecanic se află în poziție fixă când porniți mașina.

Scoateți cartuşul acumulatorului din mașină înainte de montarea sau demontarea pânzei de ferăstrău mecanic.

NOTĂ: Ocazional, lubrifiați rola de ghidare.

Depozitarea cheii imbus

Atunci când nu este utilizată, depozitați cheia imbus după cum se vede în figură pentru a nu se pierde.

► **Fig.10:** 1. Talpă 2. Cheie imbus

Placă de acoperire

Folosiiți placa de acoperire atunci când tăiați furniruri decorative, mase plastice etc. Aceasta protejează suprafețele sensibile sau delicate împotriva deteriorării. Montați-o în partea de jos a tălpilor mașinii.

► **Fig.11:** 1. Placă de acoperire 2. Talpă

Dispozitiv anti-așchiere

ATENȚIE: Dispozitivul anti-așchiere nu poate fi utilizat când se execută tăieri înclinate.

Pentru tăieturi fără așchii poate fi utilizat dispozitivul anti-așchiere. Pentru a instala dispozitivul anti-așchiere, deplasați talpa mașinii complet înainte și montați dispozitivul din partea de jos a tălpilor mașinii.

Când utilizați placa de acoperire, montați dispozitivul anti-așchiere pe placa de acoperire.

► **Fig.12:** 1. Talpă 2. Dispozitiv anti-așchiere

Extragerea prafului

Accesorii opționale

Duza de praf este recomandată pentru a efectua operații de tăiere curată.

Pentru a atașa duza de praf la mașină, introduceți cârligul duzei de praf în orificiul din talpă.

► **Fig.13:** 1. Duză de praf 2. Talpă

Pentru a fixa duza de praf, strângeți șurubul de strângere din partea din față a duzei de praf. Duza de praf poate fi instalată în partea stângă sau dreaptă a tălpilor.

► **Fig.14:** 1. Șurub de strângere

Apoi conectați un aspirator Makita la duza de praf.

► **Fig.15:** 1. Duză de praf 2. Furtun pentru aspirator

OPERAREA

ATENȚIE: Țineți întotdeauna talpa la același nivel cu piesa de prelucrat. În caz contrar, pânda de ferăstrău se poate rupe, provocând vătămări corporale grave.

ATENȚIE: Deplasați mașina foarte lent înainte atunci când tăiați linii curbe sau traforați. Forțarea mașinii va avea ca efect o suprafață de tăiere înclinată și ruperea pânzei de ferăstrău.

Porniți mașina fără ca pânda de ferăstrău mecanic să fie în contact și așteptați până când pânda de ferăstrău mecanic atinge viteza maximă. Apoi sprijiniți talpa pe piesa de prelucrat și mutați ușor mașina înainte de-a lungul liniei de tăiere marcate anterior.

► **Fig.16:** 1. Linie de tăiere 2. Talpă

Tăiere înclinată

ATENȚIE: Asigurați-vă întotdeauna că mașina este oprită și cartuşul acumulatorului este scos înainte de a înclina talpa.

Cu talpa înclinată puteți executa tăieri înclinate la orice unghi cuprins între 0° și 45° (stânga sau dreapta).

► **Fig.17**

Pentru a înclina talpa, slăbiți șurubul din partea de jos a tălpilor cu cheia imbus. Mutați talpa astfel încât șurubul să fie poziționat în centrul fantei de înclinație din talpă.

► **Fig.18:** 1. Cheie imbus 2. Șurub 3. Talpă

Înclinați talpa până când se obține unghiul de înclinație dorit. Canelura în V a carcsei angrenajului indică unghiul de înclinație prin gradajii. Apoi strângeți ferm șurubul pentru a fixa talpa.

► **Fig.19:** 1. Fantă de înclinație 2. Talpă 3. Șurub 4. Gradajii 5. Canelură în V 6. Carcasa angrenajului

Tăieri la nivelul unui plan frontal

Slăbiți șurubul din partea de jos a tălpilor cu cheia imbus și glisați talpa până la capăt. Apoi strângeți șurubul pentru a fixa talpa.

► **Fig.20:** 1. Cheie imbus 2. Șurub 3. Talpă

Decupaje

Decupajele pot fi făcute prin oricare dintre următoarele două metode: „Practicarea unui orificiu de pornire” sau „Decupare”.

Practicarea unui orificiu de pornire

Pentru decupaje interioare, fără executarea unei tăieturi de intrare de la una dintre margini, practicați un orificiu de pornire cu diametru de 12 mm sau mai mare. Introduceți pânda de ferăstrău în acest orificiu pentru a începe tăierea.

► **Fig.21**

Decupare

Nu este necesar să realizați un orificiu de pornire sau o tăietură de intrare dacă procedați cu atenție după cum urmează.

► Fig.22

1. Înclinați mașina în sus pe muchia frontală a tălpii, cu vârful pânzei de ferăstrău poziționat imediat deasupra suprafeței piesei de prelucrat.

2. Aplicați o presiune asupra mașinii astfel încât muchia frontală a tălpii să nu se miște atunci când porniți mașina și coborâți lent capătul posterior al mașinii.

3. Pe măsură ce pânza străpunge piesa de prelucrat, coborâți lent talpa mașinii pe suprafața piesei de prelucrat.

4. Finalizați tăierea în mod obișnuit.

Finisarea marginilor

Pentru a rectifica marginile sau a realiza corecții dimensionale, deplasați pânza de ferăstrău ușor de-a lungul marginilor tăiate.

► Fig.23

Tăierea metalelor

Folosiți întotdeauna un lichid de răcire (ulei de răcire a sculelor așchietoare) atunci când tăiați metale. În caz contrar, pânza se va uza considerabil. În locul utilizării unui lichid de răcire, puteți unge fața inferioară a piesei de prelucrat.

Riglă de ghidare

Accesorii opționale

⚠ATENȚIE: Asigurați-vă întotdeauna că mașina este oprită și cartușul acumulatorului este scos înainte de a monta sau demonta accesoriile.

Tăieri drepte

Când tăiați în mod repetat la lățimi de 160 mm sau mai mici, folosiți rigla de ghidare care asigură obținerea unor tăieturi rapide, precise și drepte.

► Fig.24: 1. Ghidaj opritor (riglă de ghidare)

Pentru a o instala, introduceți rigla de ghidare în orificiul dreptunghiular din partea laterală a tălpii cu ghidajul riglei orientat în jos. Glisiți rigla de ghidare în poziția lățimii de tăiere dorite, apoi strângeți bolțul pentru a o fixa.

► Fig.25: 1. Cheie imbus 2. Șurub 3. Ghidajul riglei 4. Ghidaj opritor (riglă de ghidare)

Tăieri circulare

Când tăiați cercuri sau arce cu rază de 170 mm sau mai mică, instalați rigla de ghidare după cum urmează.

► Fig.26: 1. Ghidaj opritor (riglă de ghidare)

⚠ATENȚIE: Nu atingeți vârful știftului de ghidare circular. Vârful ascuțit al știftului de ghidare circular poate provoca vătămări.

1. Introduceți rigla de ghidare în orificiul dreptunghiular din partea laterală a tălpii cu ghidajul riglei orientat în sus.

2. Introduceți știftul de ghidare circular prin oricare dintre cele două găuri de pe opritorul de ghidare. Înșurubați butonul filetat pe știftul de ghidare circular pentru a-l fixa.

► Fig.27: 1. Buton filetat 2. Ghidajul riglei 3. Ghidaj opritor (riglă de ghidare) 4. Știft de ghidare circular 5. Bolț

3. Glisiți ghidajul opritor la raza de tăiere dorită și strângeți șurubul pentru a-l fixa în poziție.

NOTĂ: Folosiți întotdeauna pânzele de ferăstrău nr. B-17, B-18, B-26 sau B-27 când tăiați cercuri sau arce.

Set de adaptoare pentru șina de ghidare

Accesorii opționale

La tăierea în paralel și cu lățimi uniforme, sau la tăierea dreaptă, utilizarea șinei de ghidare și a adaptorului pentru șina de ghidare va asigura obținerea tăieturilor rapide și curate. Pentru a instala adaptorul șinei de ghidare, introduceți rigla gradată în gaura dreptunghiulară din talpă până la punctul maxim. Fixați ferm bolțul, folosind cheia imbus.

► Fig.28: 1. Cheie imbus 2. Riglă gradată 3. Bolț

Introduceți rigla gradată în gaura dreptunghiulară a adaptorului șinei de ghidare și fixați ferm șurubul. Puneți adaptorul șinei de ghidare pe șina de ghidare.

► Fig.29: 1. Adaptor pentru șina de ghidare 2. Șină de ghidare 3. Șurub

NOTĂ: Folosiți întotdeauna pânze de ferăstrău mecanic Nr. B-8, B-13, B-16, B-17 sau 58 când utilizați șina de ghidare și adaptorul șinei de ghidare.

ÎNȚREȚINERE

⚠ATENȚIE: Asigurați-vă întotdeauna că mașina este oprită și cartușul acumulatorului este scos înainte de a executa lucrările de inspecție și întreținere.

NOTĂ: Nu utilizați niciodată gazolină, benzină, diluant, alcool sau alte substanțe asemănătoare. În caz contrar, pot rezulta decolorări, deformări sau fisuri.

Pentru a menține SIGURANȚA și FIABILITATEA produsului, reparațiile și orice alte lucrări de întreținere sau reglare trebuie executate de centre de service Makita autorizate sau proprii, folosind întotdeauna piese de schimb Makita.

ACCESORII OPȚIONALE

⚠️ ATENȚIE: Folosiți accesoriile sau piesele auxiliare recomandate pentru mașina dumneavoastră Makita în acest manual. Utilizarea oricăror alte accesorii sau piese auxiliare poate prezenta risc de vătămare corporală. Utilizați accesoriile și piesele auxiliare numai în scopul destinat.

Dacă aveți nevoie de asistență sau de mai multe detalii referitoare la aceste accesorii, adresați-vă centrului local de service Makita.

- Pânze de ferăstrău pendular
- Cheie imbus de 4
- Set de ghidaje opritoare (rigle de ghidare)
- Set de adaptoare pentru șina de ghidare
- Set șină de ghidare
- Dispozitiv anti-așchiere
- Placă de acoperire
- Ansamblu duze de praf
- Acumulator și încărcător original Makita

NOTĂ: Unele articole din listă pot fi incluse ca accesorii standard în ambalajul de scule. Acestea pot diferi în funcție de țară.

ТЕХНІЧНІ ХАРАКТЕРИСТИКИ

Модель:		JV001G
Довжина ходу		26 мм
Ходів за хвилину		800–3 500 хв ⁻¹
Тип полотна		Тип В
Макс. ріжуча спроможність	Деревина	135 мм
	М'яка сталь	10 мм
	Алюміній	20 мм
Загальна довжина (з акумулятором BL4025)		283 мм
Номінальна напруга		36 В – 40 В пост. струму макс.
Маса нетто		2,6–2,9 кг

- Оскільки наша програма наукових досліджень і розробок триває безперервно, наведені тут технічні характеристики можуть бути змінені без попередження.
- У різних країнах технічні характеристики можуть бути різними.
- Вага може відрізнятись залежно від допоміжного обладнання, наприклад касети з акумулятором. Найлегші та найважчі комплекти, відповідно до стандарту ЕРТА (Європейська асоціація виробників електроінструменту) від січня 01/2014 року, представлено в таблиці.

Застосовна касета з акумулятором і зарядний пристрій

Касета з акумулятором	BL4020 / BL4025 / BL4040
Зарядний пристрій	DC40RA / DC40RB / DC40RC

- Деякі касети з акумулятором і зарядні пристрої, які вказано вище, можуть бути недоступними залежно від вашого регіону або місця перебування.

⚠ ПОПЕРЕДЖЕННЯ: Використовуйте лише касети з акумулятором і зарядні пристрої, зазначені вище. Використання будь-яких інших касет з акумулятором і зарядних пристроїв може призвести до травмування й/або пожежі.

Призначення

Інструмент призначено для різання деревини, пластмаси та металу.

Шум

Рівень шуму за шкалою А в типовому виконанні, визначений відповідно до стандарту EN62841-2-11:
 Рівень звукового тиску (L_{pA}): 87 дБ (А)
 Рівень звукової потужності (L_{WA}): 98 дБ (А)
 Похибка (К): 3 дБ (А)

ПРИМІТКА: Заявлене значення шуму було виміряно відповідно до стандартних методів тестування й може використовуватися для порівняння одного інструмента з іншим.

ПРИМІТКА: Заявлене значення шуму може також використовуватися для попереднього оцінювання впливу.

⚠ ПОПЕРЕДЖЕННЯ: Користуйтеся засобами захисту органів слуху.

⚠ ПОПЕРЕДЖЕННЯ: Залежно від умов використання рівень шуму під час фактичної роботи електроінструмента може відрізнятись від заявленого значення вібрації; особливо сильно на це впливає тип деталі, що оброблюється.

⚠ ПОПЕРЕДЖЕННЯ: Забезпечте належні запобіжні заходи для захисту оператора, що відповідатимуть умовам використання інструмента (слід брати до уваги всі складові робочого циклу, як-от час, коли інструмент вимкнено та коли він починає працювати на холостому ході під час запуску).

Вібрація

Загальна величина вібрації (векторна сума трьох напрямків) визначена згідно з EN62841-2-11:

Режим роботи: різання плит

Вібрація ($a_{h,v}$): 4,6 м/с²

Похибка (K): 2,5 м/с²

Режим роботи: різання листового металу

Вібрація ($a_{h,m}$): 4,8 м/с²

Похибка (K): 1,5 м/с²

ПРИМІТКА: Заявлене загальне значення вібрації було виміряно відповідно до стандартних методів тестування й може використовуватися для порівняння одного інструмента з іншим.

ПРИМІТКА: Заявлене загальне значення вібрації може також використовуватися для попереднього оцінювання впливу.

▲ПОПЕРЕДЖЕННЯ: Залежно від умов використання вібрація під час фактичної роботи електроінструмента може відрізнятись від заявленого значення вібрації; особливо сильно на це впливає тип деталі, що оброблюється.

▲ПОПЕРЕДЖЕННЯ: Забезпечте належні запобіжні заходи для захисту оператора, що відповідатимуть умовам використання інструмента (слід брати до уваги всі складові робочого циклу, як-от час, коли інструмент вимкнено та коли він починає працювати на холостому ході під час запуску).

Декларації відповідності

Тільки для країн Європи

Декларації відповідності наведено в Додатку А цієї інструкції з експлуатації.

ПОПЕРЕДЖЕННЯ ПРО ДОТРИМАННЯ ТЕХНІКИ БЕЗПЕКИ

Загальні застереження щодо техніки безпеки при роботі з електроінструментами

▲ПОПЕРЕДЖЕННЯ Уважно ознайомтеся з усіма попередженнями, інструкціями, рисунками й технічними характеристиками, які стосуються цього електроінструмента. Невиконання наведених далі інструкцій може призвести до ураження електричним струмом, пожежі й (або) тяжких травм.

Збережіть усі інструкції з техніки безпеки та експлуатації на майбутнє.

Термін «електроінструмент», зазначений у інструкції з техніки безпеки, стосується електроінструмента, який функціонує від електромережі (електроінструмент з кабелем живлення), або електроінструмента з живленням від батареї (безпроводний електроінструмент).

Попередження про необхідну обережність під час роботи з бездротовим лобзиком

1. Тримайте електроприлад за ізольовані поверхні держака під час виконання дії, за якої ріжуче приладдя може зачепити приховану електропроводку. Торкання ріжучим приладдям дроту під напругою може призвести до передавання напруги до оголених металевих частин інструмента та до ураження оператора електричним струмом.
2. Використовуйте лещата або інші затискі пристрої, щоб забезпечити опору деталі та закріпити її на стійкій поверхні. Утримання деталі руками або тілом не забезпечує її стійкості й може призвести до втрати контролю.
3. **Обов'язково використовуйте захисні окуляри.** Звичайні або сонцезахисні окуляри НЕ є захисними.
4. Уникайте різання цвяхів. Перед початком роботи огляньте деталь та видаліть із неї всі цвяхи.
5. Не можна різати завеликі деталі.
6. Перед початком різання перевірте, чи достатньо місця під деталлю, щоб полотно лобзика не вдарилося о підлогу, верстат тощо.
7. Тримайте інструмент міцно.
8. Перед увімкненням інструмента переконайтеся, що полотно лобзика не торкається деталі.
9. Не наближайте руки до частин, які рухаються.
10. Не залишайте без нагляду інструмент, який працює. Працюйте з інструментом, тільки тримаючи його в руках.
11. **Обов'язково вимкніть інструмент і зачекайте до повної зупинки полотна лобзика, перш ніж виймати полотно лобзика з деталі.**
12. Не торкайтеся полотна лобзика або деталі відразу після різання: вони можуть бути дуже гарячими й спричинити опіки.
13. Без необхідності не допускайте, щоб інструмент працював на холостому ході.
14. Деякі матеріали містять токсичні хімічні речовини. Будьте обережні, щоб не допустити вдихання пилу та його контакту зі шкірою. Дотримуйтеся правил техніки безпеки виробника матеріалу.
15. **Обов'язково використовуйте пилозахисну маску/респіратор відповідно до ділянки застосування та робочого матеріалу.**

ЗБЕРІГАЙТЕ ЦІ ВКАЗІВКИ.

▲ПОПЕРЕДЖЕННЯ: НІКОЛИ НЕ втрачайте пильності та не розслабляйтеся під час користування виробом (що можливо при частому користуванні); обов'язково строго дотримуйтеся відповідних правил безпеки. **НЕНАЛЕЖНЕ ВИКОРИСТАННЯ** або недотримання правил безпеки, викладених у цій інструкції з експлуатації, може призвести до серйозних травм.

Важливі інструкції з безпеки для касети з акумулятором

1. Перед тим як користуватися касетою з акумулятором, слід прочитати всі інструкції та застережні знаки щодо (1) зарядного пристрою акумулятора, (2) акумулятора та (3) виробів, що працюють від акумулятора.
2. Не розбирайте касету з акумулятором і не змінюйте її конструкцію. Це може призвести до пожежі, перегріву або вибуху.
3. Якщо період роботи дуже покоротшав, слід негайно припинити користування. Це може призвести до виникнення ризику перегріву, опіку та навіть вибуху.
4. У разі потрапляння електродіт у очі слід промити їх чистою водою та негайно звернутися до лікаря. Це може призвести до втрати зору.
5. Не закоротіть касету з акумулятором.
 - (1) Не слід торкатися клем будь-яким струмопровідним матеріалом.
 - (2) Не слід зберігати касету з акумулятором у ємності з іншими металевими предметами, такими як цвяхи, монети тощо.
 - (3) Не залишайте касету з акумулятором під дощем, запобігайте контакту з водою.

Коротке замикання може призвести до появи значного струму, перегріву, можливих опіків та навіть виходу з ладу.

6. Не слід зберігати й використовувати інструмент і касету з акумулятором у місцях, де температура може сягнути чи перевищити 50 °C (122 °F).
7. Не слід спалювати касету з акумулятором, навіть якщо вона була неодноразово пошкоджена або повністю спрацьована. Касета з акумулятором може вибухнути у вогні.
8. Заборонено забивати цвяхи в касету з акумулятором, різати, ламати, кидати, впускати касету з акумулятором або вдаряти її твердим предметом. Це може призвести до пожежі, перегріву або вибуху.
9. Не слід використовувати пошкоджений акумулятор.
10. Літій-іонні акумулятори, що містяться в інструменті, мають відповідати вимогам законів про небезпечні товари. Під час транспортування за допомогою комерційних перевезень, наприклад із залученням третьої сторони та експедиторів, необхідно дотримуватись особливих вимог, вказаних на пакуванні й у маркуванні. Під час підготування позиції до відправлення необхідно проконсультуватись зі спеціалістом з небезпечних матеріалів. Крім того, слід виконувати більш докладні національні настанови, якщо такі є. Заклейте відкриті контакти стрічкою або заховайте їх і запакуйте акумулятор таким чином, щоб він не міг рухатися в пакуванні.
11. Для утилізації касети з акумулятором витягніть її з інструмента та утилізуйте безпечним способом. Дотримуйтеся норм місцевого законодавства щодо утилізації акумуляторів.

12. Використовуйте акумулятори лише з виробами, указаними компанією Makita. Установлення акумуляторів у невідповідні виробы може призвести до пожежі, надмірного нагрівання, вибуху чи витoku електродіту.
13. Якщо інструментом не користуватимуться протягом тривалого періоду часу, вийміть акумулятор з інструмента.
14. Під час і після використання касета з акумулятором може нагріватися, що може стати причиною опіків або низькотемпературних опіків. Будьте обережні під час поводження з гарячою касетою з акумулятором.
15. Не торкайтеся контактів інструмента відразу після використання, оскільки він може бути досить гарячим, щоб викликати опіки.
16. Не допускайте, щоб уламки, пил або земля прилипали до контактів, отворів і пазів на касеті з акумулятором. Це може призвести до перегріву, займання, вибуху та виходу з ладу інструмента або касети з акумулятором і спричинити опіки або травми.
17. Якщо інструмент не розраховано на використання поблизу високовольтних ліній електропередач, не використовуйте касету з акумулятором поблизу високовольтних ліній електропередач. Це може призвести до несправності, поломки інструмента або касети з акумулятором.
18. Тримайте акумулятор у недоступному для дітей місці.

ЗБЕРЕГАЙТЕ ЦІ ВКАЗІВКИ.

▲ОБЕРЕЖНО: Використовуйте тільки акумулятори Makita. Використання акумуляторів, інших ніж оригінальні акумулятори Makita, або акумуляторів, конструкцію яких було змінено, може призвести до вибуху акумулятора і спричинити пожежу, травму або пошкодження. У зв'язку з цим також буде анульовано гарантію Makita на інструмент Makita і на зарядний пристрій.

Поради з забезпечення максимального строку експлуатації акумулятора

1. Касету з акумулятором слід заряджати до того, як він розрядиться повністю. Завжди слід зупинити роботу інструмента та зарядити акумулятор, якщо ви помітили зменшення потужності інструмента.
2. Ніколи не слід заряджати повторно повністю заряджену касету з акумулятором. Перезарядження скорочує строк експлуатації акумулятора.
3. Заряджайте касету з акумулятором при кімнатній температурі 10°C - 40°C (50°F - 104°F). Перед тим як заряджати касету з акумулятором, слід зачекати, доки вона охолоне.
4. Коли касета з акумулятором не використовується, виймайте її з інструмента або зарядного пристрою.
5. Якщо касета з акумулятором не використовувалася тривалий час (понад шість місяців), її слід зарядити.

ОПИС РОБОТИ

⚠ ОБЕРЕЖНО: Обов'язково переконайтеся, що прилад вимкнено, а касету з акумулятором знято, перед регулюванням або перевіркою функціонування інструмента.

Встановлення та зняття касети з акумулятором

⚠ ОБЕРЕЖНО: Завжди вимикайте інструмент перед встановленням або зняттям касети з акумулятором.

⚠ ОБЕРЕЖНО: Під час встановлення або зняття касети з акумулятором слід міцно тримати інструмент та касету з акумулятором. Якщо ви утримуватимете інструмент та касету з акумулятором недостатньо міцно, вони можуть вислизнути з рук, що може призвести до пошкодження інструмента та касети з акумулятором або може спричинити травми.

► **Рис.1:** 1. Червоний індикатор 2. Кнопка 3. Касета з акумулятором

Щоб зняти касету з акумулятором, слід витягнути її з інструмента, натиснувши на кнопку в передній частині касети.

Щоб установити касету з акумулятором, слід сумістити виступ на касеті з акумулятором із пазом у корпусі й вставити касету на місце. Вставляйте її до кінця, щоб вона зафіксувалася з легким клацанням. Якщо ви бачите червоний індикатор, як показано на рисунку, її не зафіксовано повністю.

⚠ ОБЕРЕЖНО: Завжди вставляйте касету з акумулятором повністю, щоб червоного індикатора не було видно. Якщо цього не зробити, касета може випадково випасти з інструмента та завдати травми вам або людям, що знаходяться поряд.

⚠ ОБЕРЕЖНО: Не встановлюйте касету з акумулятором із зусиллям. Якщо касета не вставляється легко, то це означає, що ви її неправильно вставляєте.

Відображення залишкового заряду акумулятора

Натисніть кнопку перевірки на касеті з акумулятором для відображення залишкового ресурсу акумулятора. Індикаторні лампи загоряться на кілька секунд.

► **Рис.2:** 1. Індикаторні лампи 2. Кнопка перевірки

Індикаторні лампи			Залишковий ресурс
Горить	Вимк.	Блимає	
■	□	▧	від 75 до 100%
■	■	■	від 50 до 75%
■	■	□	від 25 до 50%
■	□	□	від 0 до 25%
▧	□	□	Зарядіть акумулятор.
■	■	□	Можливо, акумулятор вийшов з ладу.
□	□	■	

ПРИМІТКА: Залежно від умов використання та температури оточуючого середовища показання можуть незначним чином відрізнятися від дійсного ресурсу.

ПРИМІТКА: Перша (дальня ліва) індикаторна лампа блимає під час роботи захисної системи акумулятора.

Система захисту інструмента/акумулятора

Інструмент оснащено системою захисту інструмента/акумулятора. Ця система автоматично вимикає живлення двигуна з метою збільшення терміну служби інструмента та акумулятора. Інструмент автоматично зупиняється під час роботи, якщо інструмент або акумулятор перебувають у зазначених нижче умовах.

Захист від перевантаження

Якщо акумулятор використовується в умовах надмірного споживання струму, він автоматично вимикається без будь-якого попередження. У такому разі вимкніть інструмент і припиніть роботу, під час виконання якої інструмент зазнав перевантаження. Щоб перезапустити інструмент, увімкніть його знову.

Захист від перегрівання

Якщо інструмент або акумулятор перегрівся, інструмент автоматично вимикається, а лампа підсвічування починає блимати. У такому випадку дозвольте інструменту й акумулятору охолонути, перш ніж знову увімкнути інструмент.

Захист від надмірного розрядження

Коли заряд акумулятора стає недостатнім для подальшої роботи, інструмент автоматично зупиняється. У такому випадку вийміть акумулятор з інструмента та зарядіть його.

Захист від інших неполадок

Система захисту також забезпечує захист від інших неполадок, які можуть призвести до пошкодження інструмента, і забезпечує автоматичне зупинення інструмента. У разі тимчасової зупинки або припинення роботи інструмента виконайте всі зазначені нижче дії для усунення причини зупинки.

1. Вимкніть і знову увімкніть інструмент, щоб перезапустити його.
2. Зарядіть акумулятор(и) або замініть його(їх) зарядженим(и).
3. Дайте інструменту й акумулятору (акумуляторам) охолонути.

Якщо після відновлення вихідного стану системи захисту ситуація не зміниться, зверніться до місцевого сервісного центру Makita.

Вибір режиму різання

Цей інструмент може використовуватися для орбітального або прямого (угору й униз) різання. Коли вибрано режим орбітального різання, лобзик висуває полотно лобзика вперед і збільшує швидкість різання.

► **Рис.3:** 1. Важіль зміни режиму різання

Щоб змінити режим різання, поверніть важіль зміни режиму різання в потрібне положення. Щоб вибрати відповідний режим різання, дивіться таблицю нижче.

Положення	Режим різання	Застосування
0	Прямолінійне різання	Для різання м'якої сталі, нержавіючої сталі та пластмаси. Для чистого різання деревини та фанери.
I	Кругове різання з малим радіусом	Для різання м'якої сталі, алюмінію та деревини твердої породи.
II	Кругове різання з середнім радіусом	Для різання деревини та фанери. Для швидкого різання алюмінію та м'якої сталі.
III	Кругове різання з великим радіусом	Для швидкого різання деревини та фанери.

Увімкнення переднього підсвічування

▲ОБЕРЕЖНО: Не дивіться на світло або безпосередньо на джерело світла.

Щоб увімкнути лампу, натисніть кнопку блокування. Щоб вимкнути лампу, натисніть кнопку блокування ще раз.

► **Рис.4:** 1. Кнопка блокування 2. Лампа

УВАГА: У разі перегріву інструмента починає блимати лампа. Зачекайте, доки інструмент повністю охолоне, перш ніж продовжити роботу.

ПРИМІТКА: Для очищення скла лампи підсвічування протріть її сухою тканиною. Будьте обережні, щоб не подряпати скло лампи підсвічування, тому що це погіршить освітлювання.

Дія вимикача

Щоб увімкнути інструмент, натисніть кнопку блокування. Інструмент перейде в режим очікування. Щоб запустити інструмент, натисніть кнопку увімкнення / режиму очікування в режимі очікування. Щоб зупинити інструмент, натисніть кнопку увімкнення / режиму очікування ще раз. Інструмент перейде в режим очікування. Щоб вимкнути інструмент, натисніть кнопку блокування в режимі очікування.

► **Рис.5:** 1. Кнопка блокування 2. Кнопка увімкнення / режиму очікування

ПРИМІТКА: Якщо в режимі очікування інструмент залишається без виконання будь-яких операцій протягом 10 секунд, він автоматично вимикається, і лампа гасне.

ПРИМІТКА: Працюючий інструмент також можна зупинити й вимкнути, натиснувши кнопку блокування.

Щоб зменшити яскравість лампи, натисніть і втримуйте кнопку блокування під час перемикання в режим очікування. Приблизно через одну секунду після натискання й утримання кнопки блокування яскравість лампи почне зменшуватися. Коли буде досягнута бажана яскравість, відпустіть кнопку блокування. Інструмент перейде в режим очікування. Приблизно через три секунди після натискання й утримання кнопки блокування яскравість лампи зменшиться до мінімального рівня та припинить змінюватися.

ПРИМІТКА: Коли інструмент перебуває в режимі очікування, яскравість лампи регулювати неможливо. Вимкніть інструмент, щоб зменшити яскравість лампи.

ПРИМІТКА: Рівень яскравості лампи не запам'ятовується. Якщо вимкнути лампу, а потім увімкнути, її яскравість знову буде максимальною.

Диск регулювання швидкості

► **Рис.6:** 1. Диск регулювання швидкості

Швидкість роботи інструмента можна регулювати за допомогою диска регулювання швидкості. Ви можете встановити найбільшу швидкість на позначці 6 і найменшу — на позначці 1. Належну швидкість різання для оброблюваної деталі можна вибрати за допомогою таблиці нижче. Однак належна швидкість залежить від типу й товщини деталі. Зазвичай більш висока швидкість дає змогу швидше різати деталі, але скорочує термін служби полотна лобзика.

Робоча деталь	Номер
Деревина	4—6
М'яка сталь	3—6
Нержавіюча сталь	3—4
Алюміній	3—6
Плаستيки	1—4

УВАГА: Регулятор частоти обертання можна повертати тільки до цифри 6 і назад до 1. Не намагайтеся примусово повертати регулятор за межі значень 6 або 1, оскільки це може призвести до відмови функції регулювання частоти обертання.

Електронні функції

Для полегшення роботи інструмент має електронні функції.

Плавний запуск

Функція плавного запуску мінімізує ривок під час запуску й забезпечує плавний запуск інструмента.

Контроль постійної частоти обертання

Прострий електронного контролю частоти обертання для підтримки постійної частоти обертання. Дає змогу отримати чисту обробку завдяки підтриманню швидкості обертання на постійному рівні, навіть під навантаженням.

Повільна швидкість холостого ходу

Якщо диск регулювання швидкості встановлено на «3» або більше значення, інструмент автоматично знижує швидкість холостого ходу, щоб зменшити вібрацію та спростити вирівнювання полотна лобзика відносно лінії різання. Коли інструмент почне різати деталь, швидкість інструмента збільшиться до вибраного рівня.

ПРИМІТКА: За низької температури ця функція може не діяти. Ця функція також може не працювати залежно від типу матеріалу.

ПРИМІТКА: Якщо після розрізання оброблюваної деталі швидкість не знижується, вимкніть і знову увімкніть інструмент.

Увімкнення й вимкнення функції «повільна швидкість холостого ходу»

Для увімкнення й вимкнення функції «повільна швидкість холостого ходу» виконайте зазначену нижче послідовність дій.

1. Переконайтеся, що інструмент знаходиться у вимкненому стані.
2. Встановіть диск регулювання швидкості на позначку «1».
3. Натисніть кнопку блокування, щоб увімкнути інструмент.
4. Поверніть диск регулювання швидкості до позначки «6», а потім знову встановіть на позначку «1».

Лампа блимне двічі, що сповістить про вимкнення або увімкнення функції «повільна швидкість холостого ходу». Щоб знов увімкнути або вимкнути цю функцію, повторіть ту саму послідовність.

ПРИМІТКА: Якщо функція «повільна швидкість холостого ходу» вимкнена, то індикатор двічі блимне під час увімкнення інструмента.

ПРИМІТКА: Функцію «повільна швидкість холостого ходу» також можна вимикати або вмикати, повернувши диск регулювання швидкості з позначки «6» до позначки «1» та у зворотному напрямку – з позначки «1» до позначки «6».

Електричне гальмо

Цей інструмент обладнано електричним гальмом. Якщо після відпускання курка вмикача не відбувається швидкої зупинки інструмента, зверніться до сервісного центру Makita для обслуговування інструмента.

ЗБОРКА

⚠ОБЕРЕЖНО: Обов'язково переконайтеся, що прилад вимкнено, а касету з акумулятором знято, перш ніж проводити будь-які роботи з інструментом.

Встановлення та зняття полотна лобзика

⚠ОБЕРЕЖНО: Обов'язково приберіть усю стружку й сторонні речовини з полотна лобзика та тримача. Невиконання цієї умови може призвести до недостатнього затягування полотна лобзика, що може спричинити серйозні травми.

⚠ОБЕРЕЖНО: Не торкайся полотна лобзика або оброблюваної деталі одразу після закінчення роботи. Вони можуть бути надзвичайно гарячими, і це може призвести до отримання опіків.

⚠ОБЕРЕЖНО: Завжди надійно фіксуйте полотно лобзика. Недостатнє затягування полотна лобзика може призвести до поломки полотна чи серйозних травм.

⚠ОБЕРЕЖНО: Вивільняючи полотно лобзика, слідкуйте за тим, щоб не пошкодити пальці об лезо полотна або краї деталі.

Перед установкою полотна лобзика переконайтеся, що важіль затискання полотна лобзика перебуває в положенні розблокування.

Щоб установити полотно лобзика, вставте його в тримач полотна лобзика (зубцями вперед) до фіксації. Важіль затискання полотна лобзика перейде в положення блокування, а полотно лобзика буде зафіксоване. Упевніться, що задній край полотна лобзика ввійшов у ролик. Злегка потягніть полотно лобзика, щоб переконалися в тому, що воно надійно триматиметься під час експлуатації.

► **Рис.7:** 1. Важіль затискання полотна лобзика (положення блокування) 2. Важіль затискання полотна лобзика (положення розблокування)

► **Рис.8:** 1. Тримач полотна лобзика 2. Важіль затискання полотна лобзика (положення розблокування) 3. Полотно лобзика 4. Ролик

⚠ОБЕРЕЖНО: Не відкривайте важіль блокування полотна занадто сильно, інакше це може призвести до пошкодження інструмента.

Щоб зняти полотно лобзика, посуньте важіль блокування полотна вперед до упору. Це дасть змогу вивільнити полотно лобзика.

► **Рис.9:** 1. Тримач полотна лобзика 2. Важіль блокування полотна 3. Полотно лобзика

ПРИМІТКА: Якщо полотно лобзика не знімається, виконайте наведені нижче дії.

Поверніть важіль зміни режиму різання в положення «II» і злегка активуйте інструмент кілька разів, щоб тримач полотна лобзика перемістився вниз.

Під час увімкнення інструмента важіль затискання полотна лобзика має бути в положенні блокування.

Перед установленням або вийманням полотна лобзика від'єднуйте від інструмента касету з акумулятором.

ПРИМІТКА: Час від часу змащуйте ролик.

Зберігання шестигранного ключа

Коли шестиграний ключ не використовується, зберігайте його, як показано на рисунку, щоб він не загубився.

► **Рис.10:** 1. Основа 2. Шестиграний ключ

Плоска кришка

Під час різання струганої шпони та пластмаси використовуйте плоску кришку. Вона захищає чутливу або тонку поверхню від пошкодження. Вставте її знизу основи інструмента.

► **Рис.11:** 1. Плоска кришка 2. Основа

Пристрій проти розщеплення

⚠ОБЕРЕЖНО: Пристрій проти розщеплення не можна застосовувати під час різання з кутом нахилу.

Пристрій проти розщеплення можна застосовувати, щоб уникнути розколювання під час різання. Щоб установити пристрій проти розщеплення, посуňte основу інструмента вперед до упору та вставте його знизу основи інструмента.

Якщо ви застосовуєте плоску кришку, установіть пристрій проти розщеплення на неї.

► **Рис.12:** 1. Основа 2. Пристрій проти розщеплення

Відведення пилу

Додаткове приладдя

Штуцер для пилу рекомендується використовувати для забезпечення чистого різання.

Щоб прикріпити штуцер для пилу до інструмента, вставте гачок штуцера для пилу в отвір в основі.

► **Рис.13:** 1. Штуцер для пилу 2. Основа

Щоб закріпити штуцер для пилу, затягніть затискний гвинт на передній частині штуцера для пилу. Штуцер для пилу можна встановити як із лівого, так і з правого боку основи.

► **Рис.14:** 1. Затискний гвинт

Потім під'єднайте до штуцера для пилу пилосос Makita.

► **Рис.15:** 1. Штуцер для пилу 2. Шланг для пилососа

РОБОТА

⚠ОБЕРЕЖНО: Обов'язково тримайте основу врівень із деталлю. Невиконання цієї умови може призвести до поломки полотна лобзика та важкого травмування.

⚠ОБЕРЕЖНО: Під час різання по кривій або по спіралі переміщуйте інструмент дуже повільно. Застосування сили до інструмента може призвести до скошування різальної поверхні та поломки полотна лобзика.

Увімкніть інструмент, переконавшись у тому, що полотно лобзика нічого не торкається, і зачекайте, доки полотно лобзика не набере максимальну швидкість. Потім установіть інструмент основою на деталь і обережно рухайте його вперед уздовж попередньо позначеної лінії різання.

► **Рис.16:** 1. Лінія різання 2. Основа

Різання з кутом нахилу

⚠ОБЕРЕЖНО: Завжди перевіряйте, щоб прилад був вимкнений, а касета з акумулятором була знята, перш ніж установлювати основу під кутом.

Коли основу нахилено, можна виконувати різання з кутом нахилу від 0° до 45° (ліворуч або праворуч).

► **Рис.17**

Щоб нахилити основу, відпустіть болт знизу основи за допомогою шестигранного ключа. Посуньте основу, щоб болт опинився в центрі паза з фаскою в основі.

► **Рис.18:** 1. Шестиграний ключ 2. Болт 3. Основа

Нахиліть основу, доки не досягнете потрібного кута нахилу. V-подібний надріз на корпусі редуктора позначає кут нахилу за допомогою градуювання. Потім міцно затягніть болт, щоб закріпити основу.

► **Рис.19:** 1. Паз із фаскою 2. Основа 3. Болт 4. Градування 5. V-подібний надріз 6. Корпус редуктора

Переднє різання врівень із поверхнею

Послабте болт знизу основи, використовуючи шестиграний ключ, і посуňte основу назад. Потім затягніть болт, щоб закріпити основу.

► **Рис.20:** 1. Шестиграний ключ 2. Болт 3. Основа

Вирізи

Вирізи можна робити одним із двох способів: шляхом «свердління початкового отвору» або «глибокого різання».

Свердління початкового отвору

Для внутрішніх вирізів без надрізів із краю необхідно попередньо просвердлити початковий отвір діаметром 12 мм або більше. Вставте полотно лобзика в цей отвір та починайте різання.

► **Рис.21**

Глибоке різання

Необхідно просвердлити початковий отвір або зробити надріз, дотримуючись наведених нижче рекомендацій.

► Рис.22

1. Нахиліть інструмент вгору з переднього краю основи, при цьому вістря полотна лобзика має бути розташоване трохи вище робочої поверхні.
2. Прикладіть тиск до інструмента таким чином, щоб передній край основи не рухався при увімкненні інструмента, та повільно опускайте задній бік інструмента.
3. Як тільки полотно лобзика увійде в деталь, повільно опустіть основу інструмента на робочу поверхню.
4. Продовжуйте різання у звичайний спосіб.

Оброблення країв

Щоб обробити або підірвати край, легко проведіть полотном лобзика вздовж обрізаних країв.

► Рис.23

Різання по металу

Під час різання металу обов'язково застосуйте відповідний охолоджувач (охолоджувальне мастило). Невиконання цієї умови може спричинити значне зношення полотна лобзика. Замість застосування охолоджувача можна змазати деталь знизу.

Напрямна планка

Додаткове приладдя

▲ ОБЕРЕЖНО: Завжди перевіряйте, щоб інструмент був вимкнений, а касета з акумулятором була знята, перш ніж установлювати або знімати допоміжне устаткування.

Прямі розрізи

Якщо необхідно робити повторні розрізи з шириною 160 мм або меншою, використовуйте пряму планку, яка забезпечить швидке, чисте та прямолінійне різання.

► Рис.24: 1. Напрямна планка (реєстрова мітка)

Щоб установити пряму планку, вставте її в прямокутний отвір з боку основи, при цьому вона має бути звернена донизу. Установіть пряму планку в положення, що відповідає потрібній ширині різання, а потім затягніть болт, щоб її закріпити.

► Рис.25: 1. Шестигранний ключ 2. Болт 3. Напрямна планка 4. Напрямна планка (реєстрова мітка)

Кругові розрізи

Під час різання кругів чи арок радіусом 170 мм або менше встановлюйте пряму планку таким чином:

► Рис.26: 1. Напрямна планка (реєстрова мітка)

▲ ОБЕРЕЖНО: Не торкайтеся кінчика штифта кругової напрямної. Гострий кінчик штифта кругової напрямної може спричинити травму.

1. Вставте пряму планку в прямокутний отвір з боку основи, при цьому вона має бути звернена вгору.
2. Вставте штифт кругової напрямної крізь два отвори в напрямній планці. Щоб зафіксувати штифт кругової напрямної, закрутіть на ньому круглу різьбову ручку.
3. Посуньте пряму планку, щоб отримати потрібний радіус різання, і затягніть болт, щоб закріпити її на місці.

ПРИМІТКА: При різанні кругів або арок обов'язково користуйтеся полотнами лобзика № В-17, В-18, В-26 або В-27.

Комплект адаптера напрямної рейки

Додаткове обладнання

Якщо потрібно різати паралельно й відрізати деталі однакової ширини або різати прямо, то використання напрямної рейки з її адаптером забезпечить швидке та чисте різання. Для встановлення адаптера напрямної рейки вставте лінійку в квадратний отвір основи до упору. Надійно затягніть болт за допомогою шестигранного ключа.

Вставте лінійку в квадратний отвір адаптера напрямної рейки та міцно затягніть гвинт. Розташуйте на напрямній рейці її адаптер.

► Рис.29: 1. Адаптер напрямної рейки 2. Напрямна рейка 3. Гвинт

УВАГА: Під час застосування напрямної рейки та адаптера напрямної рейки завжди користуйтеся полотнами лобзика № В-8, В-13, В-16, В-17 або 58.

ТЕХНІЧНЕ ОБСЛУГОВУВАННЯ

⚠ ОБЕРЕЖНО: Перед здійсненням перевірки або обслуговування завжди перевіряйте, щоб інструмент був вимкнений, а касета з акумулятором була знята.

УВАГА: Ніколи не використовуйте газолін, бензин, розріджувач, спирт та подібні речовини. Їх використання може призвести до зміни кольору, деформації або появи тріщин.

Для забезпечення БЕЗПЕКИ та НАДІЙНОСТІ продукції, її ремонт, а також роботи з обслуговування або регулювання повинні виконуватись уповноваженими або заводськими сервісними центрами Makita із використанням запчастин виробництва компанії Makita.

ДОДАТКОВЕ ПРИЛАДДЯ

⚠ ОБЕРЕЖНО: Це додаткове та допоміжне обладнання рекомендовано використовувати з інструментом Makita, зазначеним у цій інструкції з експлуатації. Використання будь-якого іншого додаткового та допоміжного обладнання може становити небезпеку травмування. Використовуйте додаткове та допоміжне обладнання лише за призначенням.

У разі необхідності отримати допомогу в більш детальному ознайомленні з оснащенням звертайтеся до місцевого сервісного центру Makita.

- Полотна лобзика
- Шестигранний ключ 4
- Напрямна планка (реєстрова мітка), комплект
- Комплект адаптера напрямної рейки
- Комплект напрямної рейки
- Пристрій проти розщеплення
- Плоска кришка
- Вузол наконечника для пилу
- Оригінальний акумулятор та зарядний пристрій Makita

ПРИМІТКА: Деякі елементи списку можуть входити до комплекту інструмента як стандартне приладдя. Вони можуть відрізнятися залежно від країни.

ТЕХНИЧЕСКИЕ ХАРАКТЕРИСТИКИ

Модель:		JV001G
Длина хода		26 мм
Ходов в минуту		800 - 3 500 мин ⁻¹
Тип пильного полотна		Тип B
Макс. производительность резки	Дерево	135 мм
	Мягкая сталь	10 мм
	Алюминий	20 мм
Общая длина (с BL4025)		283 мм
Номинальное напряжение		36 В – 40 В пост. тока макс.
Масса нетто		2,6 - 2,9 кг

- Благодаря нашей постоянно действующей программе исследований и разработок указанные здесь технические характеристики могут быть изменены без предварительного уведомления.
- Технические характеристики могут различаться в зависимости от страны.
- Масса может отличаться в зависимости от дополнительного оборудования. Обратите внимание, что блок аккумулятора также считается дополнительным оборудованием. В таблице представлены комбинации с наибольшим и наименьшим весом в соответствии с процедурой EPTA 01/2014.

Подходящий блок аккумулятора и зарядное устройство

Блок аккумулятора	BL4020 / BL4025 / BL4040
Зарядное устройство	DC40RA / DC40RB / DC40RC

- В зависимости от региона проживания некоторые блоки аккумуляторов и зарядные устройства, перечисленные выше, могут быть недоступны.

⚠ОСТОРОЖНО: Используйте только перечисленные выше блоки аккумуляторов и зарядные устройства. Использование других блоков аккумуляторов и зарядных устройств может привести к травме и/или пожару.

Назначение

Данный инструмент предназначен для распиливания древесных, пластмассовых и металлических материалов.

Шум

Типичный уровень взвешенного звукового давления (A), измеренный в соответствии с EN62841-2-11:
 Уровень звукового давления ($L_{p(A)}$): 87 дБ (A)
 Уровень звуковой мощности (L_{WA}): 98 дБ (A)
 Погрешность (K): 3 дБ (A)

ПРИМЕЧАНИЕ: Заявленное значение распространения шума измерено в соответствии со стандартной методикой испытаний и может быть использовано для сравнения инструментов.

ПРИМЕЧАНИЕ: Заявленное значение распространения шума можно также использовать для предварительных оценок воздействия.

⚠ОСТОРОЖНО: Используйте средства защиты слуха.

⚠ОСТОРОЖНО: Распространение шума во время фактического использования электроинструмента может отличаться от заявленного значения в зависимости от способа применения инструмента и в особенности от типа обрабатываемой детали.

⚠ОСТОРОЖНО: Обязательно определите меры безопасности для защиты оператора, основанные на оценке воздействия в реальных условиях использования (с учетом всех этапов рабочего цикла, таких как выключение инструмента, работа без нагрузки и включение).

Вибрация

Суммарное значение вибрации (сумма векторов по трем осям), определенное в соответствии с EN62841-2-11:

Рабочий режим: резка панелей

Распространение вибрации ($a_{h,b}$): 4,6 м/с²

Погрешность (K): 2,5 м/с²

Рабочий режим: резка листового металла

Распространение вибрации ($a_{h,m}$): 4,8 м/с²

Погрешность (K): 1,5 м/с²

ПРИМЕЧАНИЕ: Заявленное общее значение распространения вибрации измерено в соответствии со стандартной методикой испытаний и может быть использовано для сравнения инструментов.

ПРИМЕЧАНИЕ: Заявленное общее значение распространения вибрации можно также использовать для предварительных оценок воздействия.

⚠ОСТОРОЖНО: Распространение вибрации во время фактического использования электроинструмента может отличаться от заявленного значения в зависимости от способа применения инструмента и в особенности от типа обрабатываемой детали.

⚠ОСТОРОЖНО: Обязательно определите меры безопасности для защиты оператора, основанные на оценке воздействия в реальных условиях использования (с учетом всех этапов рабочего цикла, таких как выключение инструмента, работа без нагрузки и включение).

Декларации о соответствии

Только для европейских стран

Декларации о соответствии включены в Приложение А к настоящему руководству по эксплуатации.

МЕРЫ БЕЗОПАСНОСТИ

Общие рекомендации по технике безопасности для электроинструментов

⚠ОСТОРОЖНО Ознакомьтесь со всеми инструкциями по технике безопасности, указаниями, иллюстрациями и техническими характеристиками, прилагаемыми к данному электроинструменту. Несоблюдение всех приведенных далее инструкций может привести к поражению электрическим током, возгоранию и/или тяжелым травмам.

Сохраните брошюру с инструкциями и рекомендациями для дальнейшего использования.

Термин "электроинструмент" в предупреждениях относится ко всему инструменту, работающему от сети (с проводом) или на аккумуляторах (без провода).

Правила техники безопасности при эксплуатации аккумулятора

1. Если при выполнении работ существует риск контакта режущего инструмента со скрытой электропроводкой, держите электроинструмент за специально предназначенные изолированные поверхности. Контакт с проводом под напряжением приведет к тому, что металлические детали инструмента также будут под напряжением. Это может стать причиной поражения оператора электрическим током.
2. Для фиксации разрезаемой детали на устойчивой поверхности используйте зажимы или другие соответствующие приспособления. Никогда не держите распиливаемые детали в руках и не прижимайте их к телу, так как это не обеспечит устойчивого положения детали и может привести к потере контроля над инструментом.
3. Обязательно надевайте защитные очки или защитную маску для лица. Обычные или солнцезащитные очки НЕ ЯВЛЯЮТСЯ защитными очками.
4. Избегайте попадания режущего инструмента на гвозди. Перед пилением осмотрите деталь и убедитесь в отсутствии гвоздей.
5. Не распиливайте детали, превышающие допустимый размер.
6. Убедитесь в наличии свободного пространства вокруг распиливаемой детали, чтобы полотно ножовочной пилы не уперлось в пол, верстак и т. п.
7. Крепко держите инструмент.
8. Перед включением убедитесь в том, что полотно ножовочной пилы не касается обрабатываемой детали.
9. Руки должны находиться на расстоянии от движущихся деталей.
10. Не оставляйте работающий инструмент без присмотра. Включайте инструмент только тогда, когда он находится в руках.
11. Перед извлечением полотна ножовочной пилы из обрабатываемой детали обязательно выключайте инструмент и дожидайтесь полного прекращения его движения.
12. Не прикасайтесь к полотну ножовочной пилы или обрабатываемой детали сразу после работы: они могут быть очень горячими и обжечь кожу.
13. Без необходимости не эксплуатируйте инструмент без нагрузки.
14. Некоторые материалы могут содержать токсичные химические вещества. Примите соответствующие меры предосторожности, чтобы избежать вдыхания или контакта с кожей таких веществ. Соблюдайте требования, указанные в паспорте безопасности материала.
15. Обязательно используйте соответствующую пылезащитную маску/респиратор для защиты дыхательных путей от пыли разрезаемых материалов.

СОХРАНИТЕ ДАННЫЕ ИНСТРУКЦИИ.

⚠ОСТОРОЖНО: НЕ ДОПУСКАЙТЕ, чтобы удобство или опыт эксплуатации данного устройства (полученный от многократного использования) доминировали над строгим соблюдением правил техники безопасности при обращении с этим устройством. **НЕПРАВИЛЬНОЕ ИСПОЛЬЗОВАНИЕ** инструмента или несоблюдение правил техники безопасности, указанных в данном руководстве, может привести к тяжелой травме.

Важные правила техники безопасности для работы с аккумуляторным блоком

1. Перед использованием аккумуляторного блока прочитайте все инструкции и предупреждающие надписи на (1) зарядном устройстве, (2) аккумуляторном блоке и (3) инструменте, работающем от аккумуляторного блока.
2. Не разбирайте блок аккумулятора и не меняйте его конструкцию. Это может привести к пожару, перегреву или взрыву.
3. Если время работы аккумулятора значительно сократилось, немедленно прекратите работу. В противном случае, может возникнуть перегрев блока, что приведет к ожогам и даже к взрыву.
4. В случае попадания электролита в глаза промойте их обильным количеством чистой воды и немедленно обратитесь к врачу. Это может привести к потере зрения.
5. Не замыкайте контакты аккумуляторного блока между собой:
 - (1) Не прикасайтесь к контактам какими-либо токопроводящими предметами.
 - (2) Не храните аккумуляторный блок в контейнере вместе с другими металлическими предметами, такими как гвозди, монеты и т. п.
 - (3) Не допускайте попадания на аккумуляторный блок воды или дождя.Замыкание контактов аккумуляторного блока между собой может привести к возникновению большого тока, перегреву, возможным ожогам и даже поломке блока.
6. Не храните и не используйте инструмент и аккумуляторный блок в местах, где температура может достигать или превышать 50 °C (122 °F).
7. Не бросайте аккумуляторный блок в огонь, даже если он сильно поврежден или полностью вышел из строя. Аккумуляторный блок может взорваться под действием огня.
8. Запрещено вбивать гвозди в блок аккумулятора, резать, ломать, бросать, ронять блок аккумулятора или ударять его твердым предметом. Это может привести к пожару, перегреву или взрыву.
9. Не используйте поврежденный аккумуляторный блок.

10. Входящие в комплект литий-ионные аккумуляторы должны эксплуатироваться в соответствии с требованиями законодательства об опасных товарах.

При коммерческой транспортировке, например, третьей стороной или экспедитором, необходимо нанести на упаковку специальные предупреждения и маркировку.

В процессе подготовки устройства к отправке обязательно проконсультируйтесь со специалистом по опасным материалам. Также соблюдайте местные требования и нормы. Они могут быть строже.

Закройте или закрепите разомкнутые контакты и упакуйте аккумулятор так, чтобы он не перемещался по упаковке.

11. Для утилизации блока аккумулятора извлеките его из инструмента и утилизируйте безопасным способом. Выполняйте требования местного законодательства по утилизации аккумуляторного блока.
12. Используйте аккумуляторы только с продукцией, указанной Makita. Установка аккумуляторов на продукцию, не соответствующую требованиям, может привести к пожару, перегреву, взрыву или утечке электролита.
13. Если инструментом не будут пользоваться в течение длительного периода времени, извлеките аккумулятор из инструмента.
14. Во время и после использования блок аккумулятора может нагреваться, что может стать причиной ожогов или низкотемпературных ожогов. Будьте осторожны при обращении с горячим блоком аккумулятора.
15. Не прикасайтесь к контактам инструмента сразу после использования, поскольку они могут быть достаточно горячими, чтобы вызвать ожоги.
16. Не допускайте налипания на контакты, отверстия и пазы блока аккумулятора опилок, пыли или земли. Это может стать причиной перегрева, возгорания, взрыва или неисправности инструмента или блока аккумулятора, что может привести к ожогам или травмам.
17. Если инструмент не рассчитан на использование вблизи высоковольтных линий электропередач, не используйте блок аккумулятора вблизи высоковольтных линий электропередач. Это может привести к неисправности, поломке инструмента или блока аккумулятора.
18. Храните аккумулятор в недоступном для детей месте.

СОХРАНИТЕ ДАННЫЕ ИНСТРУКЦИИ.

⚠ВНИМАНИЕ: Используйте только фирменные аккумуляторные батареи Makita.

Использование аккумуляторных батарей, не произведенных Makita, или батарей, которые были подвергнуты модификациям, может привести к взрыву аккумулятора, пожару, травмам и повреждению имущества. Это также автоматически аннулирует гарантию Makita на инструмент и зарядное устройство Makita.

Советы по обеспечению максимального срока службы аккумулятора

1. Заряжайте блок аккумуляторов перед его полной разрядкой. Обязательно прекратите работу с инструментом и зарядите блок аккумуляторов, если вы заметили снижение мощности инструмента.
2. Никогда не подзаряжайте полностью заряженный блок аккумуляторов. Перезарядка сокращает срок службы аккумулятора.
3. Заряжайте блок аккумуляторов при комнатной температуре в 10 - 40 °C (50 - 104 °F). Перед зарядкой горячего блока аккумуляторов дайте ему остыть.
4. Если блок аккумулятора не используется, извлеките его из инструмента или зарядного устройства.
5. Зарядите ионно-литиевый аккумуляторный блок, если вы не будете пользоваться инструментом длительное время (более шести месяцев).

ОПИСАНИЕ РАБОТЫ

ВНИМАНИЕ: Перед регулировкой или проверкой функций инструмента обязательно убедитесь, что он выключен и его аккумуляторный блок снят.

Установка или снятие блока аккумуляторов

ВНИМАНИЕ: Обязательно выключайте инструмент перед установкой и извлечением аккумуляторного блока.

ВНИМАНИЕ: При установке и извлечении аккумуляторного блока крепко удерживайте инструмент и аккумуляторный блок. Если не соблюдать это требование, они могут выскользнуть из рук, что приведет к повреждению инструмента, аккумуляторного блока и травмированию оператора.

► **Рис.1:** 1. Красный индикатор 2. Кнопка 3. Блок аккумулятора

Для снятия аккумуляторного блока нажмите кнопку на лицевой стороне и извлеките блок.

Для установки блока аккумулятора совместите выступ блока аккумулятора с пазом в корпусе и задвиньте его на место. Устанавливайте блок до упора, чтобы он зафиксировался с небольшим щелчком. Если вы видите красный индикатор, как показано на рисунке, он не зафиксирован полностью.




















ВНИМАНИЕ: Обязательно устанавливайте блок аккумулятора до конца, чтобы красный индикатор не был виден. В противном случае блок аккумулятора может выпасть из инструмента и нанести травму вам или другим людям.

ВНИМАНИЕ: Не прилагайте чрезмерных усилий при установке аккумуляторного блока. Если блок не двигается свободно, значит он вставлен неправильно.

Индикация оставшегося заряда аккумулятора

Нажмите кнопку проверки на аккумуляторном блоке для проверки заряда. Индикаторы загорятся на несколько секунд.

► **Рис.2:** 1. Индикаторы 2. Кнопка проверки

Индикаторы			Уровень заряда
			
			от 75 до 100%
			от 50 до 75%
			от 25 до 50%
			от 0 до 25%
			Зарядите аккумуляторную батарею.
			Возможно, аккумуляторная батарея неисправна.
			

ПРИМЕЧАНИЕ: В зависимости от условий эксплуатации и температуры окружающего воздуха индикация может незначительно отличаться от фактического значения.

ПРИМЕЧАНИЕ: Первая (дальняя левая) индикаторная лампа будет мигать во время работы защитной системы аккумулятора.

Система защиты инструмента/аккумулятора

На инструменте предусмотрена система защиты инструмента/аккумулятора. Она автоматически отключает питание двигателя для продления срока службы инструмента и аккумулятора. Инструмент автоматически остановится во время работы в следующих случаях:

Защита от перегрузки

Если из-за способа эксплуатации аккумулятор потребляет очень большое количество тока, он автоматически остановится без включения каких-либо индикаторов. В этом случае выключите инструмент и прекратите работу, повлекшую перегрузку инструмента. Затем включите инструмент для перезапуска.

Защита от перегрева

При перегреве инструмента или аккумулятора инструмент автоматически останавливается, подсветка начинает мигать. В этом случае дайте инструменту/аккумулятору остыть перед повторным включением.

Защита от переразрядки

При истощении емкости аккумулятора инструмент автоматически останавливается. В этом случае извлеките аккумулятор из инструмента и зарядите его.

Защита от других неполадок

Система защиты также обеспечивает защиту от других неполадок, способных повредить инструмент, и обеспечивает автоматическую остановку инструмента. В случае временной остановки или прекращения работы инструмента выполните все перечисленные ниже действия для устранения причины остановки.

1. Выключите и снова включите инструмент для его перезапуска.
2. Зарядите аккумулятор(ы) или замените его(их) заряженным(и).
3. Дайте инструменту и аккумулятору (аккумуляторам) остыть.

Если после возврата системы защиты в исходное состояние ситуация не изменится, обратитесь в сервисный центр Makita.

Выбор действия резки

Данный инструмент может управляться таким образом, чтобы производить резку по орбитальной или прямолинейной траектории (вверх и вниз). Резка по орбитальной траектории создает осевое давление на полотно ножовочной пилы и повышает скорость резки.

► **Рис.3:** 1. Рычаг переключения резки

Для изменения режима резания поверните рычаг переключения режимов резания в положение, соответствующее нужному режиму резания. Для выбора подходящего режима резания см. таблицу.

Положение	Действие резки	Применение
0	Прямолинейная резка	Для резки мягкой, нержавеющей стали и пластмассы. Для чистовых резов в дереве и фанере.
I	Резка с небольшим радиусом	Для резки мягкой стали, алюминия и твердого дерева.
II	Резка со средним радиусом	Для резки дерева и фанеры. Для быстрой резки алюминия и мягкой стали.
III	Резка с большим радиусом	Для быстрой резки дерева и фанеры.

Включение передней лампы

ВНИМАНИЕ: Не смотрите непосредственно на свет или источник света.

Для включения лампы нажмите на блокировочный переключатель. Для выключения лампы нажмите на блокировочный переключатель повторно.

- **Рис.4:** 1. Блокировочный переключатель
2. Лампа

ПРИМЕЧАНИЕ: При перегреве инструмента начинает мигать лампа. Перед возобновлением работы полностью остудите инструмент.

ПРИМЕЧАНИЕ: Для удаления пыли с линзы лампы используйте сухую ткань. Не допускайте возникновения царапин на линзе лампы, так как это приведет к снижению освещенности.

Действие выключателя

Для включения инструмента нажмите на блокировочный переключатель. Инструмент переходит в режим ожидания. Чтобы запустить инструмент, нажмите на переключатель ВКЛ/ожидание в режиме ожидания. Для остановки инструмента нажмите на переключатель ВКЛ/ожидание повторно. Инструмент переходит в режим ожидания. Для выключения инструмента нажмите на блокировочный переключатель в режиме ожидания.

- **Рис.5:** 1. Блокировочный переключатель
2. Переключатель ВКЛ/ожидание

ПРИМЕЧАНИЕ: Если инструмент находится в режиме ожидания более 10 секунд, он автоматически выключится, а лампа погаснет.

ПРИМЕЧАНИЕ: Вы также можете остановить и выключить инструмент, нажав на блокировочный переключатель в процессе работы.

Для уменьшения яркости лампы нажмите и удерживайте блокировочный переключатель при переключении в режим ожидания. Примерно через 1 секунду после начала нажатия на блокировочный переключатель яркость лампы начнет уменьшаться, и при достижении желаемой яркости отпустите блокировочный переключатель. При этом инструмент также переключается в режим ожидания. Примерно через 3 секунды после начала нажатия на блокировочный переключатель яркость лампы станет минимальной и прекратит меняться.

ПРИМЕЧАНИЕ: При нахождении инструмента в режиме ожидания яркость лампы регулироваться не может. Для уменьшения яркости лампы выключите инструмент.

ПРИМЕЧАНИЕ: Функция запоминания яркости лампы отсутствует. Каждый раз при выключении и повторном включении лампы она будет загораться с максимальной яркостью.

Регулятор скорости

► Рис.6: 1. Регулятор скорости

Обороты инструмента можно регулировать положением регулятора скорости. Максимальной скорости соответствует положение 6, а минимальной — 1. См. таблицу, чтобы выбрать надлежащую скорость для обрабатываемой детали. Однако надлежащая скорость может быть разной в зависимости от типа или толщины обрабатываемой детали. Как правило, более высокие скорости позволяют резать обрабатываемые детали быстрее, но срок службы полотна ножовочной пилы при этом сокращается.

Обрабатываемая деталь	Цифра
Дерево	4 - 6
Мягкая сталь	3 - 6
Нержавеющая сталь	3 - 4
Алюминий	3 - 6
Пластмасса	1 - 4

ПРИМЕЧАНИЕ: Диск регулировки скорости можно поворачивать только до цифры 6 и обратно до 1. Не пытайтесь силой повернуть регулятор за пределы значений 6 или 1, так как это может привести к отказу функции регулирования частоты вращения фрезы.

Электронная функция

Для простоты эксплуатации инструмент оснащен электронными функциями.

Плавный запуск

Функция плавного запуска минимизирует пусковой удар и смягчает запуск инструмента.

Контроль постоянной скорости

Электронное управление скоростью инструмента для достижения постоянной скорости. Возможность получения тонкой отделки, поскольку скорость вращения держится на постоянном уровне даже в условиях нагрузки.

Плавное вращение без нагрузки

Если на регулировочном диске выставлено значение "3" или больше, то инструмент автоматически снижает скорость при отсутствии нагрузки для уменьшения вибрации и простоты совмещения полотна ножовочной пилы с линией разреза. Как только инструмент начнет резать обрабатываемую деталь, его скорость увеличится и достигнет заданного значения.

ПРИМЕЧАНИЕ: При низкой температуре эта функция может быть недоступна. Кроме того, данная функция может быть недоступна в зависимости от типа материала.

ПРИМЕЧАНИЕ: Если после разрезания обрабатываемой детали скорость не уменьшается, выключите инструмент и включите его снова.

Выключение или включение функции плавного вращения без нагрузки

Для выключения или включения функции плавного вращения без нагрузки выполните указанные ниже действия.

1. Убедитесь, что инструмент выключен.
2. Установите регулятор скорости в положение "1".
3. Для включения инструмента нажмите на блокировочный переключатель.
4. Поверните регулятор скорости до "6", а затем снова установите его на "1".

Лампа мигает дважды при отключении или включении функции плавного вращения без нагрузки. Для повторного включения или отключения данной функции выполните ту же процедуру еще раз.

ПРИМЕЧАНИЕ: Если функция плавного вращения без нагрузки отключена, то лампа мигает дважды при включении инструмента.

ПРИМЕЧАНИЕ: Вы также можете выключить или включить функцию плавного вращения без нагрузки, изменив положение диска регулировки скорости на "6" - "1" - "6".

Электрический тормоз

Этот инструмент оснащен электрическим тормозом. Если после отпускания триггерного переключателя не происходит быстрой остановки инструмента, отправьте инструмент в сервисный центр Makita для обслуживания.

СБОРКА

ВНИМАНИЕ: Перед проведением каких-либо работ с инструментом обязательно убедитесь, что инструмент отключен, а блок аккумулятора снят.

Установка или снятие полотна ножовочной пилы

ВНИМАНИЕ: Обязательно удалите все опилки или инородные частицы, прилипшие к полотну ножовочной пилы и/или держателю полотна. Несоблюдение данного требования может привести к недостаточной затяжке полотна ножовочной пилы и серьезной травме.

ВНИМАНИЕ: Не прикасайтесь к полотну ножовочной пилы или детали сразу после окончания работы. Они могут быть очень горячими и причинить ожог.

ВНИМАНИЕ: Всегда прочно закрепляйте полотно ножовочной пилы. Недостаточная затяжка полотна ножовочной пилы может привести к его поломке или серьезной травме.

ВНИМАНИЕ: При снятии полотна ножовочной пилы соблюдайте осторожность, чтобы не повредить пальцы верхней частью полотна ножовочной пилы или кромками детали.

Перед установкой полотна ножовочной пилы убедитесь, что рычаг зажима полотна ножовочной пилы находится в разомкнутом положении.

Для установки полотна ножовочной пилы вставьте его в держатель полотна (зубьями вперед) до защелкивания. Рычаг зажима полотна ножовочной пилы самостоятельно переместится в положение фиксации, и полотно ножовочной пилы будет зафиксировано. Убедитесь, что тыльная сторона полотна ножовочной пилы вошла в ролик. Слегка потяните за полотно ножовочной пилы с целью убедиться в том, что оно не выпадет во время работы.

► **Рис.7:** 1. Рычаг зажима полотна ножовочной пилы (в зафиксированном положении)
2. Рычаг зажима полотна ножовочной пилы (в разомкнутом положении)

► **Рис.8:** 1. Держатель полотна ножовочной пилы
2. Рычаг зажима полотна ножовочной пилы (в разомкнутом положении)
3. Полотно ножовочной пилы 4. Ролик

ВНИМАНИЕ: Не раскрывайте приспособление для открывания инструмента слишком широко, т.к. это может привести к повреждению инструмента.

Для снятия полотна ножовочной пилы раскройте приспособление для открывания инструмента вперед до упора. Это позволяет освободить полотно ножовочной пилы.

► **Рис.9:** 1. Держатель полотна ножовочной пилы
2. Приспособление для открывания инструмента 3. Полотно ножовочной пилы

ПРИМЕЧАНИЕ: В случае возникновения трудностей при снятии полотна ножовочной пилы:

Поверните рычаг переключения режимов резания в положение "III" и ненадолго включите инструмент несколько раз, чтобы полотно ножовочной пилы переместилось в нижнюю точку.

При включении инструмента убедитесь в том, что рычаг зажима полотна ножовочной пилы находится в зафиксированном положении.

Перед установкой или снятием полотна ножовочной пилы извлеките блок аккумулятора из инструмента.

ПРИМЕЧАНИЕ: Иногда смазывайте ролик.

Хранение шестигранного ключа

Когда шестигранный ключ не используется, храните его, как показано на рисунке, чтобы не потерять.

► **Рис.10:** 1. Основание 2. Шестигранный ключ

Крышка

При резке строганого шпона, пластмасс и пр. используйте крышку. Она защищает чувствительные или критичные поверхности от повреждения. Ее следует прикреплять к нижней поверхности основания инструмента.

► **Рис.11:** 1. Крышка 2. Основание

Устройство против раскалывания

ВНИМАНИЕ: При осуществлении резки со скосом устройство против раскалывания использовать нельзя.

Для предотвращения раскалывания в процессе резки можно использовать устройство против раскалывания. Чтобы установить устройство против раскалывания, сдвиньте основание инструмента вперед до упора и прикрепите его с нижней стороны основания инструмента.

Если вы используете крышку, установите устройство против раскалывания на крышку.

► **Рис.12:** 1. Основание 2. Устройство против раскалывания

Сбор пыли

Дополнительные принадлежности

Для выполнения операций чистого резания рекомендуется использовать пылесборный патрубок.

Для крепления пылесборного патрубка к инструменту вставьте фиксатор пылесборного патрубка в отверстие основания.

► **Рис.13:** 1. Пылесборный патрубок 2. Основание

Для фиксации пылесборного патрубка затяните зажимной винт, расположенный с его лицевой стороны. Пылесборный патрубок может устанавливаться как с левой, так и с правой стороны основания.

► **Рис.14:** 1. Зажимной винт

Затем подсоедините к пылесборному патрубку пылесос Makita.

► **Рис.15:** 1. Пылесборный патрубок 2. Шланг для пылесоса

ЭКСПЛУАТАЦИЯ

ВНИМАНИЕ: Обязательно держите основание на одном уровне с деталью. Несоблюдение данного требования может привести к поломке полотна ножовочной пилы и серьезной травме.

ВНИМАНИЕ: Продвигайте инструмент очень медленно при резке по кривой или при перемещении по вертикали. Если к инструменту приложить усилие, это может привести к появлению искосенной поверхности и повреждению полотна ножовочной пилы.

Включите инструмент таким образом, чтобы полотно ножовочной пилы не соприкасалось ни с чем, и дождитесь момента, когда оно наберет максимальную скорость. Затем ровно расположите основание на обрабатываемой детали и плавно переместите инструмент вперед вдоль предварительно намеченной линии разреза.

► **Рис.16:** 1. Линия разреза 2. Основание

Резка под скосом

⚠ВНИМАНИЕ: Прежде чем наклонить основание, убедитесь, что инструмент отключен, а блок аккумулятора извлечен.

При наклоненном основании вы можете выполнять резку со скосом под любым углом в диапазоне от 0° до 45° (влево или вправо).

► Рис.17

Чтобы наклонить основание, ослабьте болт внизу основания с помощью шестигранного ключа. Переместите основание таким образом, чтобы болт располагался по центру конического гнезда в основании.

► Рис.18: 1. Шестигранный ключ 2. Болт
3. Основание

Наклоните основание до достижения нужного угла скоса. V-образная выемка в корпусе редуктора указывает угол скоса по шкале. Затем надежно затяните болт для фиксации основания.

► Рис.19: 1. Коническое гнездо 2. Основание
3. Болт 4. Шкала 5. V-образная выемка
6. Корпус редуктора

Прямые разрезы заподлицо

Ослабьте болт внизу основания с помощью шестигранного ключа и сдвиньте основание назад до упора. Затем затяните болт для фиксации основания.

► Рис.20: 1. Шестигранный ключ 2. Болт
3. Основание

Вырезы

Вырезы могут производиться любым из двух способов: “сверление начального отверстия” или “врезание”.

Сверление начального отверстия

Для внутренних вырезов без начального врезания с края, высверлите предварительно отверстие диаметром 12 мм или более. Вставьте полотно ножовочной пилы в это отверстие для начала резки.

► Рис.21

Врезание

Вам не нужно будет сверлить начальное отверстие или делать врезку, если вы аккуратно сделаете следующее.

► Рис.22

1. Поднимите инструмент за передний край основания, расположив острие полотна ножовочной пилы непосредственно над поверхностью обрабатываемой детали.

2. Надавите на инструмент, чтобы передний край основания не сдвинулся, когда вы включите инструмент, и медленно опустите заднюю часть.

3. По мере врезания полотна ножовочной пилы в обрабатываемую деталь, опускайте основание инструмента на поверхность обрабатываемой детали.

4. Завершите вырез обычным образом.

Обработка краев

Для обработки краев или размерной регулировки, слегка проведите полотном ножовочной пилы по вырезанным краям.

► Рис.23

Резка металла

При резке металла всегда пользуйтесь подходящей охлаждающей жидкостью (масло для резки). Несоблюдение данного требования приведет к значительному износу полотна ножовочной пилы. Вместо использования охлаждающего вещества можно смазать обратную поверхность обрабатываемой детали.

Направляющая планка

Дополнительные принадлежности

⚠ВНИМАНИЕ: Перед установкой или снятием дополнительных принадлежностей выключите инструмент и извлеките блок аккумулятора.

Прямые разрезы

При многократной резке в глубину до 160 мм или менее, использование направляющей планки позволит добиться быстрых, чистых, прямых разрезов.

► Рис.24: 1. Направляющая планка (направляющая линейка)

Для установки направляющей планки вставьте ее в квадратное отверстие сбоку основания, при этом направляющая линейка должна смотреть вниз. Сдвиньте направляющую планку на необходимую ширину резки, после чего затяните болт для фиксации планки.

► Рис.25: 1. Шестигранный ключ 2. Болт
3. Направляющая линейка
4. Направляющая планка (направляющая линейка)

Круговые вырезы

При резке кругов или дуг радиусом в 170 мм или менее, установите направляющую планку следующим образом.

► Рис.26: 1. Направляющая планка (направляющая линейка)

⚠ВНИМАНИЕ: Не прикасайтесь к концу штифта круговой направляющей. Острый конец штифта круговой направляющей может причинить травму.

1. Вставьте направляющую планку в квадратное отверстие сбоку основания, при этом направляющая линейка должна смотреть вверх.

2. Вставьте штифт круговой направляющей через любое из двух отверстий в направляющей линейке. Навинтите поворотную рукоятку с внутренним резьбовым отверстием на штифт круговой направляющей для фиксации последнего.

► Рис.27: 1. Резьбовая рукоятка 2. Направляющая линейка 3. Направляющая планка (направляющая линейка) 4. Штифт круговой направляющей 5. Болт

3. Сдвиньте направляющую планку до нужного радиуса резки и затяните болт для ее фиксации на этом месте.

ПРИМЕЧАНИЕ: При вырезке кругов или дуг всегда пользуйтесь полотнами ножовочной пилы № В-17, В-18, В-26 или В-27.

Комплект адаптера для шины цепной пилы

Дополнительные принадлежности

При параллельной резке, резке деталей одной ширины и резке по прямой использование адаптера для шины цепной пилы обеспечит получение быстрых, чистых разрезов. Для установки адаптера для шины цепной пилы вставьте линейку в квадратное отверстие основания до упора. Крепко закрутите болт шестигранным ключом.

► **Рис.28:** 1. Шестигранный ключ 2. Линейка 3. Болт

Вставьте линейку в квадратное отверстие адаптера для шины цепной пилы и плотно затяните болт. Установите адаптер для шины цепной пилы на шину цепной пилы.

► **Рис.29:** 1. Адаптер для шины цепной пилы 2. Направляющий рельс 3. Винт

ПРИМЕЧАНИЕ: При использовании шины цепной пилы и адаптера для шины цепной пилы обязательно используйте полотна ножовочных пил № В-8, В-13, В-16, В-17 или 58.

ОБСЛУЖИВАНИЕ

ВНИМАНИЕ: Перед проведением проверки или работ по техобслуживанию всегда проверяйте, что инструмент выключен, а блок аккумулятора снят.

ПРИМЕЧАНИЕ: Запрещается использовать бензин, растворители, спирт и другие подобные жидкости. Это может привести к обесцвечиванию, деформации и трещинам.

Для обеспечения БЕЗОПАСНОСТИ и НАДЕЖНОСТИ оборудования ремонт, любое другое техобслуживание или регулировку необходимо производить в уполномоченных сервис-центрах Makita или сервис-центрах предприятия с использованием только сменных частей производства Makita.

ДОПОЛНИТЕЛЬНЫЕ ПРИНАДЛЕЖНОСТИ

ВНИМАНИЕ: Данные принадлежности или приспособления рекомендуются для использования с инструментом Makita, указанным в настоящем руководстве. Использование других принадлежностей или приспособлений может привести к получению травмы. Используйте принадлежность или приспособление только по указанному назначению.

Если вам необходимо содействие в получении дополнительной информации по этим принадлежностям, свяжитесь с вашим сервис-центром Makita.

- Полотно ножовочных пил
- Шестигранный ключ 4
- Комплект направляющей планки (направляющей линейки)
- Комплект адаптера для шины цепной пилы
- Комплект направляющего рельса
- Устройство против раскалывания
- Крышка
- Сопло для пыли в сборе
- Оригинальный аккумулятор и зарядное устройство Makita

ПРИМЕЧАНИЕ: Некоторые элементы списка могут входить в комплект инструмента в качестве стандартных приспособлений. Они могут отличаться в зависимости от страны.

Makita Europe N.V. Jan-Baptist Vinkstraat 2,
3070 Kortenberg, Belgium

Makita Corporation 3-11-8, Sumiyoshi-cho,
Anjo, Aichi 446-8502 Japan

www.makita.com

885982B966 EN, SL, SQ, BG, HR, MK, SR, RO, UK, RU 20221031
--