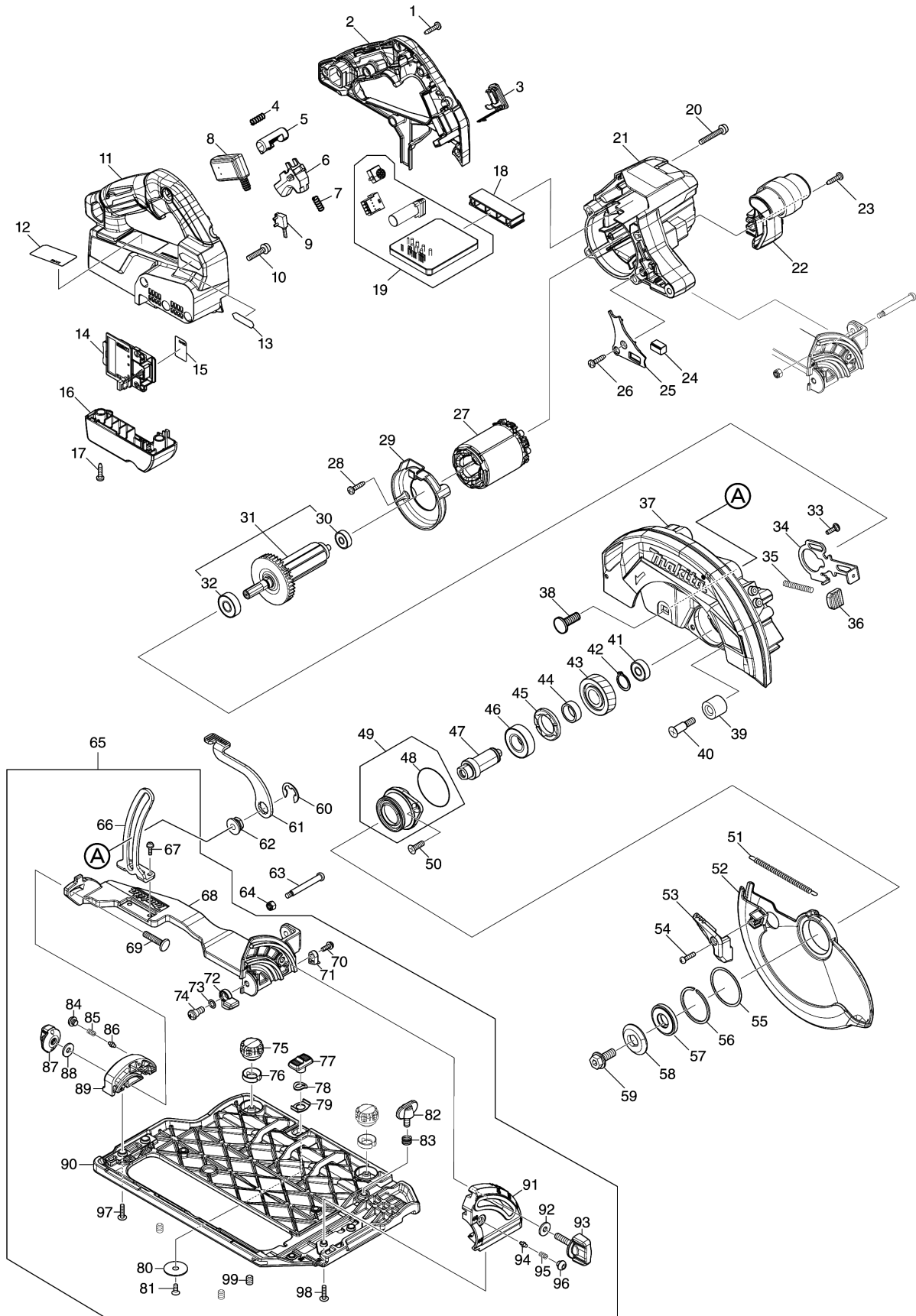


Model No.HS004G 185MM CORDLESS CIRCULAR SAW





Model No.HS004G 185MM CORDLESS CIRCULAR SAW

| Položaj | Številka dela | Opis                                     | Sprememba | Količina | New/Old | Opcijsko 1 | Opcijsko 2 | Opomba |
|---------|---------------|--|-----------|----------|---------|------------|------------|--------|
| 001     | 266326-2      | Pločevinasti vijak 4x18<br>UB1103        |           | 6        |         |            |            |        |
| 002     | 183R15-1      | HANDLE SET                               |           | 1        |         |            |            |        |
| C10     | 263005-3      | Gumi zatič 6                             |           | 1        |         |            |            |        |
| D10     |               | INC. 11                                  |           |          |         |            |            |        |
| 003     | 140F99-0      | CAP COMPLETE                             |           | 1        |         |            |            |        |
| C10     | 213218-6      | O tesnilo 16                             |           | 1        | *       |            |            |        |
| C11     | 213A05-9      | O-RING16                                 | O         | 1        |         |            |            |        |
| C20     | 818H07-8      | CAP LABEL                                |           | 1        |         |            |            |        |
| 004     | 231433-0      | Tlačna spiralna vzmet 4                  |           | 1        |         |            |            |        |
| 005     | 419704-7      | Gumb za izklop orodja<br>KP0810          |           | 1        |         |            |            |        |
| 006     | 458594-3      | SWITCH LEVER                             |           | 1        |         |            |            |        |
| 007     | 231433-0      | Tlačna spiralna vzmet 4                  |           | 1        |         |            |            |        |
| 008     | 651083-9      | SWITCH C3XA-1PSPM                        |           | 1        |         |            |            |        |
| 009     | 632M92-5      | SWITCH UNIT                              |           | 1        |         |            |            |        |
| 010     | 911243-8      | Vijak z nizko cilindrično<br>glavo M5X25 |           | 3        |         |            |            |        |
| 011     | 183R15-1      | HANDLE SET                               |           | 1        |         |            |            |        |
| C10     | 263005-3      | Gumi zatič 6                             |           | 1        |         |            |            |        |
| D10     |               | INC. 2                                   |           |          |         |            |            |        |
| 012     | 857E51-2      | HS004G NAME PLATE                        |           | 1        |         |            |            |        |
| 013     | 8012U4-2      | XGT LOGO LABEL                           |           | 1        |         |            |            |        |
| 014     | 632P65-6      | TERMINAL UNIT                            |           | 1        |         |            |            |        |
| 015     | 857E58-8      | HS004G SERIAL NO. LABEL                  |           | 1        |         |            |            |        |
| 016     | 140S46-9      | TERMINAL HOUSING<br>COMPLETE             |           | 1        |         |            |            |        |
| C10     | 263005-3      | Gumi zatič 6                             |           | 1        |         |            |            |        |
| 017     | 266326-2      | Pločevinasti vijak 4x18<br>UB1103        |           | 2        |         |            |            |        |
| 018     | 412480-2      | SPACER                                   |           | 1        |         |            |            |        |
| 019     | 620D01-2      | CONTROLLER                               |           | 1        |         |            |            |        |
| 020     | 911258-5      | Vijak z nizko cilindrično<br>glavo M5x35 |           | 4        |         |            |            |        |
| 021     | 458746-6      | MOTOR HOUSING                            |           | 1        |         |            |            |        |
| 022     | 458750-5      | FRONT GRIP                               |           | 1        |         |            |            |        |
| 023     | 266326-2      | Pločevinasti vijak 4x18<br>UB1103        |           | 1        |         |            |            |        |
| 024     | 620936-3      | LED CIRCUIT                              |           | 1        |         |            |            |        |
| 025     | 458751-3      | LIGHT COVER                              |           | 1        |         |            |            |        |
| 026     | 266326-2      | Pločevinasti vijak 4x18<br>UB1103        |           | 1        |         |            |            |        |
| 027     | 629479-2      | STATOR                                   |           | 1        |         |            |            |        |
| 028     | 266326-2      | Pločevinasti vijak 4x18<br>UB1103        |           | 2        |         |            |            |        |
| 029     | 458749-0      | BAFFLE PLATE                             |           | 1        |         |            |            |        |
| 030     | 210022-4      | Kroglični ležaj 626DDW<br>9526NB         |           | 1        |         |            |            |        |

Model No.HS004G 185MM CORDLESS CIRCULAR SAW

| Položaj | Številka dela | Opis   | Sprememba | Količina | New/Old | Opcijsko 1 | Opcijsko 2 | Opomba |
|---------|---------------|--|-----------|----------|---------|------------|------------|--------|
| 031     | 519534-7      | ROTOR ASSY                                   |           | 1        |         |            |            |        |
| D10     |               | INC. 30,32                                   |           |          |         |            |            |        |
| 032     | 210059-1      | Kroglični ležaj 6000DDW<br>GA9050            |           | 1        |         |            |            |        |
| 033     | 251529-1      | + PAN HEAD SCREW<br>M4X14                    |           | 1        |         |            |            |        |
| 034     | 347676-5      | SHAFT LOCK                                   |           | 1        |         |            |            |        |
| 035     | 233084-5      | Tlačna spiralna vzmet 6                      |           | 1        |         |            |            |        |
| 036     | 286039-9      | CAP  |           | 1        |         |            |            |        |
| 037     | 140S42-7      | BLADE CASE COMPLETE                          |           | 1        |         |            |            |        |
| C10     | 213434-0      | O tesnilo 26                                 |           | 1        |         |            |            |        |
| C20     | 263005-3      | Gumi zatič 6                                 |           | 1        |         |            |            |        |
| C30     | 818C45-0      | SCALE LABEL                                  |           | 1        |         |            |            |        |
| 038     | 266396-1      | Vijak z ravno glavo M8                       |           | 1        |         |            |            |        |
| 039     | 262185-2      | RUBBER SLEEVE8                               |           | 1        |         |            |            |        |
| 040     | 251572-0      | + COUNTERSUNK HEAD<br>SCREW M6X30            |           | 1        |         |            |            |        |
| 041     | 210029-0      | Kroglični ležaj 608ZZ<br>GA7050              |           | 1        |         |            |            |        |
| 042     | 961057-5      | Zaščitni obroč S-17                          |           | 1        |         |            |            |        |
| 043     | 226838-7      | HELICAL GEAR 37                              |           | 1        |         |            |            |        |
| 044     | 257451-0      | RING 17                                      |           | 1        |         |            |            |        |
| 045     | 285809-3      | Podpora za kroglični ležaj<br>23-36          |           | 1        |         |            |            |        |
| 046     | 210301-0      | Kroglični ležaj 6003DDW                      |           | 1        |         |            |            |        |
| 047     | 327192-3      | SPINDLE                                      |           | 1        |         |            |            |        |
| 048     | 213565-5      | O Tesnilo 42 9067                            |           | 1        |         |            |            |        |
| 049     | 136021-7      | BEARING BOX ASSY                             |           | 1        |         |            |            |        |
| D10     |               | INC. 48                                      |           |          |         |            |            |        |
| 050     | 265034-2      | Vijak z vgreznjeno glavo<br>M5x16            |           | 2        |         |            |            |        |
| 051     | 232467-6      | TENSION SPRING 4                             |           | 1        |         |            |            |        |
| 052     | 319970-5      | SAFETY COVER                                 |           | 1        |         |            |            |        |
| 053     | 271450-8      | LEVER 37                                     |           | 1        |         |            |            |        |
| 054     | 265178-8      | Vijak z nizko cilindrično<br>glavo M4x16 new |           | 1        |         |            |            |        |
| 055     | 267337-0      | Ploska podložka 40                           |           | 1        |         |            |            |        |
| 056     | 257452-8      | RETAINING RING (EXT)<br>WR-40                |           | 1        |         |            |            |        |
| 057     | 224593-5      | INNER FLANGE 35                              |           | 1        |         |            |            |        |
| 058     | 224409-4      | Zunanja prirobnica 35<br>LS0612FL            |           | 1        |         |            |            |        |
| 059     | 266283-4      | Inbus vijak M8x20                            |           | 1        |         |            |            |        |
| 060     | 257953-6      | Seger obroč E-12                             |           | 1        |         |            |            |        |
| 061     | 271460-5      | LEVER 90                                     |           | 1        |         |            |            |        |
| 062     | 252262-8      | COLLERED HEX. NUT M8                         |           | 1        |         |            |            |        |
| 063     | 265118-6      | Vijak z nizko cilindrično<br>glavo M5        |           | 1        |         |            |            |        |

Model No.HS004G 185MM CORDLESS CIRCULAR SAW

| Položaj | Številka dela | Opis  | Sprememba | Količina | New/Old | Opcijsko 1 | Opcijsko 2 | Opomba |
|---------|---------------|---|-----------|----------|---------|------------|------------|--------|
| 064     | 252103-8      | Šesterokotna matica M5-8<br>5604R               |           | 1        |         |            |            |        |
| 065     | 136280-3      | BASE ASSY                                       |           | 1        |         |            |            |        |
| D10     |               | INC. 66-99                                      |           |          |         |            |            |        |
| 066     | 347532-9      | DEPTH GUIDE                                     |           | 1        |         |            |            |        |
| 067     | 911516-9      | Vijak z nizko cilindrično<br>glavo M4X12 BJR141 |           | 2        |         |            |            |        |
| 068     | 319975-5      | FRAME   |           | 1        |         |            |            |        |
| 069     | 251920-3      | CAP SQUARE NECK BOLT<br>M6X30                   |           | 1        |         |            |            |        |
| 070     | 911118-1      | Vijak z nizko cilindrično<br>glavo M4x12        |           | 1        |         |            |            |        |
| 071     | 419632-6      | POSITION PLATE SP6000                           |           | 1        |         |            |            |        |
| 072     | 319978-9      | STOPPER   |           | 1        |         |            |            |        |
| 073     | 213026-5      | O Tesnilo 7                                     |           | 1        |         |            |            |        |
| 074     | 251267-5      | Vijak z nizko cilindrično<br>glavo M6           |           | 1        |         |            |            |        |
| 075     | 265775-0      | Krilni vijak M4x3                               |           | 2        |         |            |            |        |
| 076     | 419627-9      | Držalo SP6000                                   |           | 2        |         |            |            |        |
| 077     | 458092-7      | SLIDE LEVER                                     |           | 1        |         |            |            |        |
| 078     | 253932-2      | Valovita podložka 10                            |           | 1        |         |            |            |        |
| 079     | 345977-5      | PLATE   |           | 1        |         |            |            |        |
| 080     | 345748-0      | LOCK WASHER                                     |           | 1        |         |            |            |        |
| 081     | 912112-6      | Vijak z vgreznjeno glavo<br>M4x10               |           | 1        |         |            |            |        |
| 082     | 265701-9      | Zatezni vijak M6x14                             |           | 1        |         |            |            |        |
| 083     | 233376-2      | Tlačna spiralna vzmet 8<br>9558NB               |           | 1        |         |            |            |        |
| 084     | 266559-9      | H.S.BUTTON HEAD BOLT<br>M6X4                    |           | 1        |         |            |            |        |
| 085     | 231234-6      | Tlačna spiralna vzmet 3.5                       |           | 1        |         |            |            |        |
| 086     | 263041-9      | SHOULDER PIN 3-5                                |           | 1        |         |            |            |        |
| 087     | 252270-9      | THUMB NUT M6                                    |           | 1        |         |            |            |        |
| 088     | 253111-2      | Ploska kovinska podložka 6                      |           | 1        |         |            |            |        |
| 089     | 319977-1      | REAR ANGULAR PLATE                              |           | 1        |         |            |            |        |
| 090     | 319974-7      | BASE  |           | 1        |         |            |            |        |
| 091     | 319976-3      | FRONT ANGULAR PLATE                             |           | 1        |         |            |            |        |
| 092     | 253111-2      | Ploska kovinska podložka 6                      |           | 1        |         |            |            |        |
| 093     | 265776-8      | Krilni vijak M6x26                              |           | 1        |         |            |            |        |
| 094     | 263041-9      | SHOULDER PIN 3-5                                |           | 1        |         |            |            |        |
| 095     | 231234-6      | Tlačna spiralna vzmet 3.5                       |           | 1        |         |            |            |        |
| 096     | 266559-9      | H.S.BUTTON HEAD BOLT<br>M6X4                    |           | 1        |         |            |            |        |
| 097     | 265174-6      | + TRUSS HEAD SCREW<br>M4X16                     |           | 2        |         |            |            |        |
| 098     | 265174-6      | + TRUSS HEAD SCREW<br>M4X16                     |           | 2        |         |            |            |        |
| 099     | 266225-8      | HEX.SOCKET HEAD SCREW<br>M6X8                   |           | 3        |         |            |            |        |

Model No.HS004G 185MM CORDLESS CIRCULAR SAW

| Položaj | Številka dela | Opis  | Sprememba | Količina | New/Old | Opcijsko 1 | Opcijsko 2 | Opomba |
|---------|---------------|---|-----------|----------|---------|------------|------------|--------|
| A01     | 196520-1      | DUST NOZZLE SET                                     |           | 1        |         |            |            |        |
| A02     | B-64185       | TCT BLADE190X24T<br>WOOD EFFICUT                    |           | 1        |         |            |            |        |
| A03     | 783204-6      | Inbus ključ 6 DA4031                                |           | 1        |         |            |            |        |
| A07B    | 412393-7      | BATTERY COVER                                       |           | 2        |         |            |            |        |
| A08B    | 191B26-6      | BATTERY BL4040 SET                                  |           | 2        |         |            |            |        |
| A09B    | ***DC40RA     | DC40RA FAST CHARGER                                 |           | 1        |         |            |            |        |
| D10     |               | COMPO-PARTS   |           |          |         |            |            |        |
| A10B    | 821552-6      | Makpac kovček za<br>prenašanje 395 x 295 x<br>315mm |           | 1        |         |            |            |        |
| C10     | 453974-8      | Plastična zaponka za<br>MAKPAC plastične kovček     |           | 4        |         |            |            |        |
| A11B    | 8015M0-2      | HS004GM201 INDICATION<br>LABEL                      |           | 1        |         |            |            |        |
| A12B    | 8015M1-0      | HS004GM201 PLASTIC<br>CASE LABEL                    |           | 2        |         |            |            |        |
| A13B    | 835K82-7      | INNER TRAY  |           | 1        |         |            |            |        |
| A14     | 164095-8      | Paralelno vodilo                                    |           | 1        |         |            |            |        |

Please order the parts with part number.

Print Date 15/12/2021