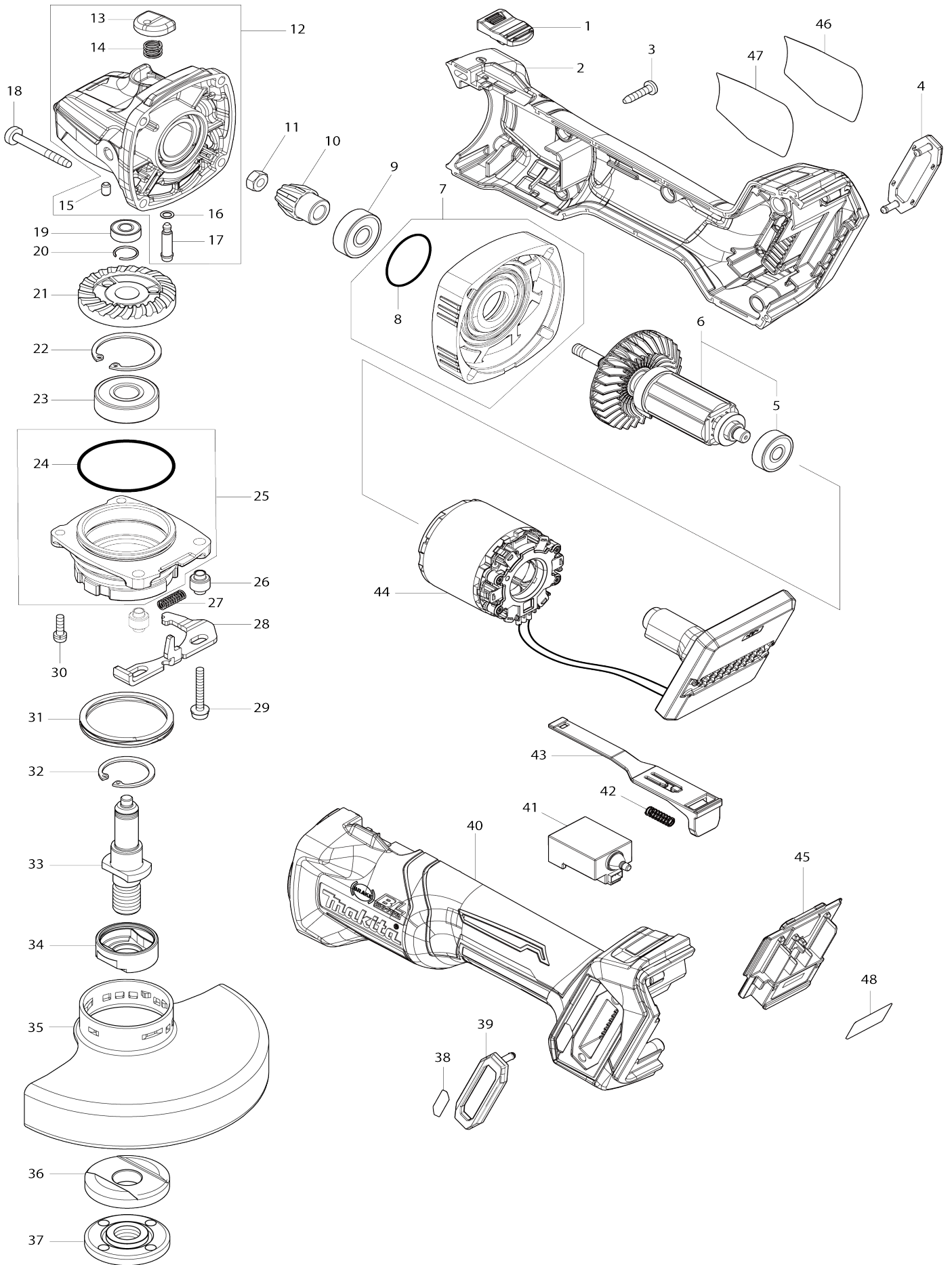


Model No.GA005G Cordless Angle Grinder



Model No.GA005G Cordless Angle Grinder

Item No.	Parts No.	Description	Interchangeability	Q'ty	New/Old	Note1	Note2
001	455447-7	Switch knob		1			
002	183N63-6	Motor housing set		1			
C10	263005-3	Rubber pin 6		2			
002		INC. 40					
003	266326-2	Binding head tapping screw 4X18		5			
004	422563-0	Dust cover		1			
005	210023-2	Ball bearing 627DDW		1	*		
005-1	210325-6	Ball bearing 627DDW	<	1			
005-1 D	210325-6	Ball bearing 627DDW		1			
006	519595-7	Rotor assembly		1	*		
006		INC. 5			*		
006-1	510614-2	Rotor assembly	<	1			
006-1		INC. 5					
006-1 D	510614-2	Rotor assembly		1			
006-1 D		INC. 5					
007	136190-4	Gear housing cover assembly		1			
007		INC. 8					
008	213445-5	O-ring 26		1			
009	210042-8	Ball bearing 629LLB		1			
010	226976-5	Spiral bevel gear 10		1			
011	252186-8	Hex. nut M6		1			
012	136198-8	Gear housing assembly		1			
012		INC. 13-17					
013	412234-7	Pin cap		1			
014	233072-2	Compression spring 8		1			
015	263002-9	Rubber pin 4		1			
016	213960-9	O-ring 5		1			
017	256546-6	Shoulder pin 4		1			
018	266048-4	Binding head tapping screw 4X40		4			
019	210033-9	Ball bearing 696ZZ		1			
020	233950-6	Ring spring 11		1			
021	226862-0	Spiral bevel gear 37		1			
022	962151-6	Retaining ring (INT) R-32		1			
023	211129-9	Ball bearing 6201DDW		1			
024	213622-9	O-ring 45		1	*		
024-1	213622-9	O-ring 45	O	1			
024-1 D	213622-9	O-ring 45		1			
025	136197-0	Bearing box assembly		1	*		
025		INC. 24			*		
025-1	136262-5	Bearing box assembly	<	1			
C10	213510-0	O-ring 36		1			
025-1		INC. 24,31					
025-1	136262-5	Bearing box assembly		1			

D						
C10	213510-0	O-ring 36		1		
025-1 D		INC. 24,31				
026	327322-6	Sleeve 4		2		
027	232490-1	Compression spring 4		1		
028	347641-4	Lever B		1		
029	911159-7	Pan head screw M4X30 WG		2		
030	911138-5	Pan head screw M4X20 WR		2		
031	232542-8	Coiled wave spring 41		1	*	
031-1	232542-8	Coiled wave spring 41	O	1		
031-1 D	232542-8	Coiled wave spring 41		1		
032	962105-3	Retaining ring (INT) R-26		1		
033	326672-6	Spindle		1		
034	310514-4	Lead flange		1		
035	347480-2	Wheel cover 125		1	*	
035-1	141P46-4	Wheel cover 125 complete	<	1		
C10	8050A1-8	Caution label		1		
035-1 D	141P46-4	Wheel cover 125 complete		1		
C10	8050A1-8	Caution label		1		
036	224447-6	Inner flange 42B		1		
037	224554-5	Lock nut 14-45		1		
038	8007R2-2	XGT logo label		1		
039	422563-0	Dust cover		1		
040	183N63-6	Motor housing set		1		
C10	263005-3	Rubber pin 6		2		
040		INC. 2				
041	651445-1	Switch FPM-1130		1		
042	233121-5	Compression spring 4		1		
043	412233-9	Switch lever		1		
044	629458-0	Stator complete		1		
045	632P65-6	Terminal unit		1		
046	8008U5-3	Clear label		1	*	
047	856U17-5	Name plate GA005G		1	*	
047B	856U17-5	Name plate GA005G		1		
047-1	856U17-5	Name plate GA005G	O	1		
047-1 D	856U17-5	Name plate GA005G		1		
048	856U23-0	Serial No. label GA005G		1		
A01	158237-4	Grip 36 complete		1		
A02	A-80656	GRINDING WHEEL 125 WA36N		1		
A03	782423-1	Lock nut wrench 35		1		
A04	412393-7	Battery cover		2		
A05	***DC40RA	DC40RA FAST CHARGER		1		
A05		COMPO-PARTS				
A06B	191B36-3	Battery BL4025 set		2		
A06C	191B26-6	Battery BL4040 set		2		
A06D	1917Y6-7	Battery BL4040F set		2		
A07	821552-6	Connector plastic case (type 4)		1		
C10	453974-8	Latch		4		
A08B	8010Y4-8	Indication label GA005GD201		1	*	

A08C	8011C0-8	Indication label GA005GM201		1	*		
A09B	8010Y5-6	Plastic case label GA005GD201		2			
A09C	8011C1-6	Plastic case label GA005GM201		2			
A10	835E79-0	Inner tray		1			
A12	199710-5	Cutting wheel cover attachment 125 set		1			
A12D	199710-5	Cutting wheel cover attachment 125 set		1			
F02	199710-5	Cutting wheel cover attachment 125 set		1			
F02D	199710-5	Cutting wheel cover attachment 125 set		1			
F04	194514-0	Vibration proof grip set		1			
F07	191G06-2	Dust collect cover set 125mm		1			
F12	195354-9	Toolless lock nut set		1			
F13	191W05-0	Dust cover set 115/125mm		1			
C10	743129-6	Brush A		1			
C20	743130-1	Brush B		1			
F13D	191W05-0	Dust cover set 115/125mm		1			
C10	743129-6	Brush A		1			
C20	743130-1	Brush B		1			
F19	1910Y0-7	Wheel cover 125C set		1			
F19D	1910Y0-7	Wheel cover 125C set		1			
F20	1919G1-3	CHAMFERING D.C.A. SET		1			

Please state Parts No. when your order.

Print Date 10. 07. 2026