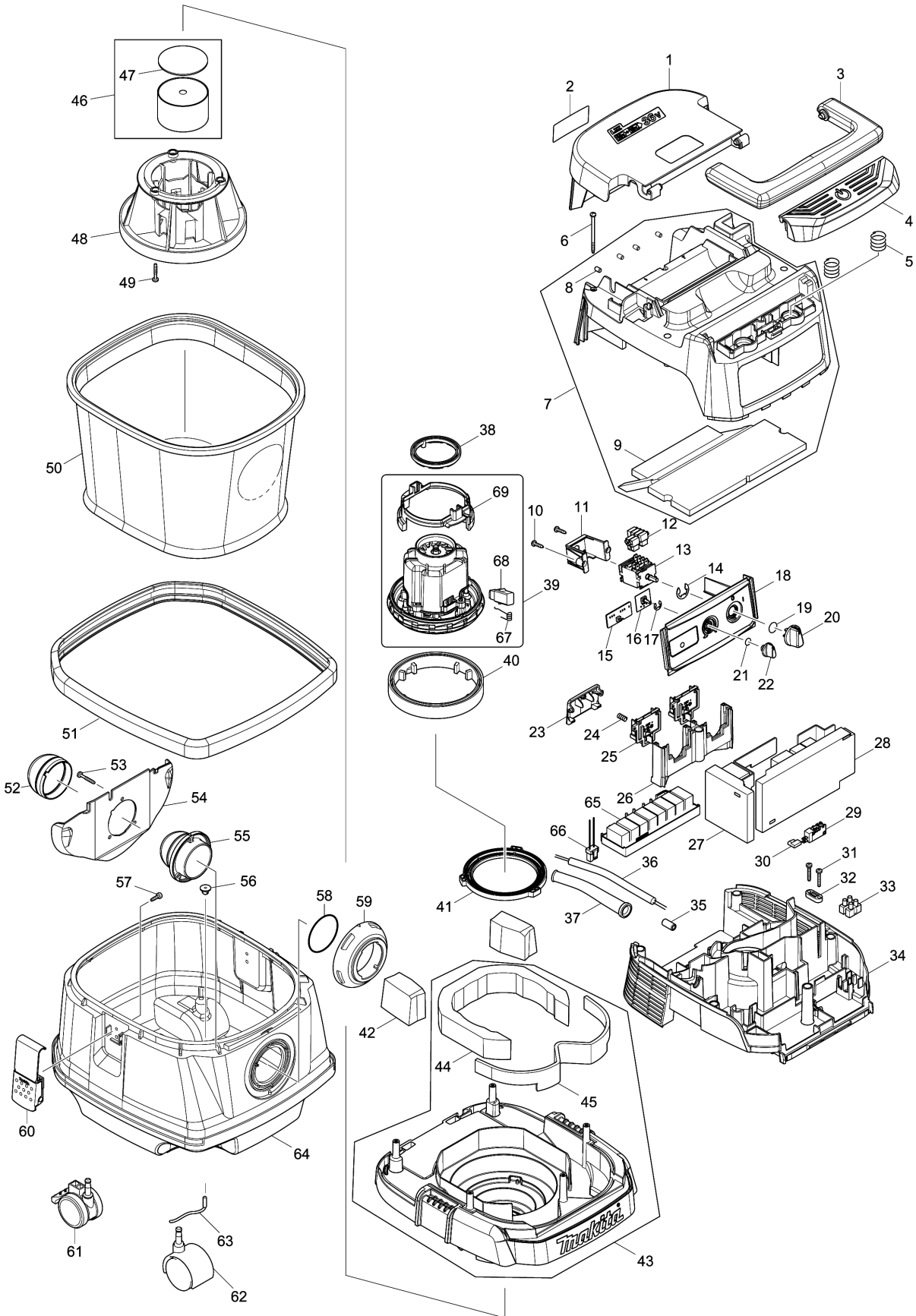


Model No.DVC860L AC AND DC VACUUM CLEANER



Model No.DVC860L AC AND DC VACUUM CLEANER

Položaj	Številka dela	Opis	Sprememba	Količina	New/Old	Opcijsko 1	Opcijsko 2	Opomba
001	143174-5	BATTERY COVER COMPLETE		1				
002	850V27-0	DVC860L NAME PLATE		1				
003	455734-4	GRIP		1				
004	455730-2	SWITCH BUTTON		1	*			
004-1	459262-1	SWITCH BUTTON	<	1				
005	234273-5	Tlačna spiralna vzmet 20		2				
006	266340-8	Pločevinasti vijak 4x65 MT370		6				
007	143173-7	COWLING COMPLETE		1				
D10		INC. 8,9						
008	263005-3	Gumi zatič 6		4				
009	424688-6	TOP DAMPER		1				
010	266326-2	Pločevinasti vijak 4x18 UB1103		2				
011	451343-7	SWITCH HOLDER		1				
012	686023-8	RECEPTACLE SLEEVE 484P		6				
013	650745-6	SWITCH		1				
014	961062-2	Zaporno tesnilo E-12		1				
015	620394-3	LED CIRCUIT		1				
016	631922-9	SUB CONTROLLER 483		1				
017	961013-5	Zaporno tesnilo E-7		1				
018	143176-1	SWITCH BASE COMPLETE		1				
019	213176-6	O-Tesnilo 14 M442		1				
020	455733-6	SWITCH LEVER		1				
021	213054-0	O-Tesnilo 9 M442		1				
022	451344-5	Switch Dial		1				
023	455728-9	BATTERY COVER HOOK		1				
024	231240-1	Tlačna spiralna vzmet 7		1				
025	644808-8	TERMINAL BHR242, DHR242		2				
026	455729-7	TERMINAL BASE		1				
027	620406-2	CONTROLLER B		1				
028	620392-7	CONTROLLER A		1				
029	651910-0	SWITCH D2VW-01-3HS		1				
030	686039-3	RECEPTACLE SLEEVE		2				
031	266374-1	Samovrezni vijak 4x25 GA9020		2				
032	687123-7	PCRAIN RELIEF		1				
033	654561-8	TERMINAL BLOCK		1				
034	455726-3	SEPARATER		1				
035	688161-2	Linjski filter za enosmerno napetost		2	*			
035-1	688163-8	LINE FILTER	S	1				
036	666899-9	POWER SUPPLY CORD 1.0-2-0.55		1				

Model No.DVC860L AC AND DC VACUUM CLEANER

Položaj	Številka dela	Opis	Sprememba	Količina	New/Old	Opcijsko 1	Opcijsko 2	Opomba
037	682584-6	CORD GUARD		1				
038	424685-2	RUBBER RING 60		1				
039	629156-6	MOTOR ASSEMBLY		1				
D10		INC. 67-69						
040	424686-0	RUBBER RING 120		1				
041	424687-8	SUPPORT RING		1				
042	424690-9	REAR BLOCK FILTER		2				
043	143175-3	TANK COVER COMPLETE		1				
D10		INC. 44,45						
044	424691-7	BAND DAMPER		1				
045	424689-4	FRONT DAMPER		1				
046	158166-1	FLOAT COMPLETE		1				
D10		INC. 47						
047	423365-7	SPONGE SEAL 70		1				
048	419725-9	FLOAT CAGE		1				
049	266374-1	Samovrezni vijak 4x25 GA9020		3				
050	140248-3	CLOTH FILTER COMPLETE		1				
051	424230-3	BUMPER		1	*			
051-1	422148-2	BUMPER	O	1				
052	424382-0	RUBBER HOLDER		1				
053	266257-5	Samovrezni vijak 4x28 9565C		3				
054	419351-4	HOLDER PLATE		1				
055	419350-6	HOLDER		1				
056	421468-1	CORD SEAL 484P		1				
057	266192-7	Pločevinasti vijak 4x14 GA9040S		4				
058	213655-4	O-Tesnilo 56 483		1				
059	451348-7	INLET		1				
060	168537-4	HOOK		2				
061	168535-8	CASTER 50		2				
062	168434-4	CASTER 50		2				
063	649150-2	EARTH LINE 120		1				
064	451334-8	TANK		1				
065	620502-6	CONTROLLER C		1				
066	632F97-3	LEAD UNIT		1				
067	DM46312612	BRUSH SPRING		2				
068	197208-6	CARBON BRUSH CB-353		1				
069	DM46714602	BRUSH HOLDER		1				
A01	122512-4	NOZZLE ASS'Y 38		1				
C01	151449-8	ROLLER 40 COMPLETE		2				
C06	415962-3	ROLLER 14		2				
C11	256241-8	PIN 3		2				

Please order the parts with part number.

Print Date 16/2/2021

Model No.DVC860L AC AND DC VACUUM CLEANER

Položaj	Številka dela	Opis	Sprememba	Količina	New/Old	Opcijsko 1	Opcijsko 2	Opomba
C16	265871-4	Pločevinasti vijak BT M4x16		6				
C21	154427-7	ELBOW JOINT COMPLETE		1				
C26	415965-7	UPPER NOZZLE		1				
C31	415964-9	JOINT HOLDER		1				
C36	743328-0	BRUSH		1				
C41	743327-2	WIPER		1				
A02	195434-1	HOSE COMPLETE 38-2.5 SET VC3211M		1	*			
A02-1	195434-1	HOSE COMPLETE 38-2.5 SET VC3211M	O	1				
C20	417191-4	CUFF LOCK		1				
C30	417306-3	SLEEVE		2				
C40	417307-1	FRONT CUFF		1				
C50	417586-1	STOPPER		2				
A03	195432-5	POLY BAG SET(650X650)		1				
A04	192563-1	STRAIGHT PIPE VC3211M		1				
A05	192562-3	BENDING PIPE VC3211M		1				
A06	410306-2	CORNER NOZZLE		1				
A07	451350-0	STOPPER		1				
A08	455732-8	TOOL BOX		1				
A09	911138-5	Vijak z nizko cilindrično glavo M4x20		1				
A10	661914-4	CONNECTION CORD		1				
E01	891978-6	CAUTION LABEL		1				
E04	688161-2	Linjski filter za enosmerno napetost	S	1				

Please order the parts with part number.

Print Date 16/2/2021