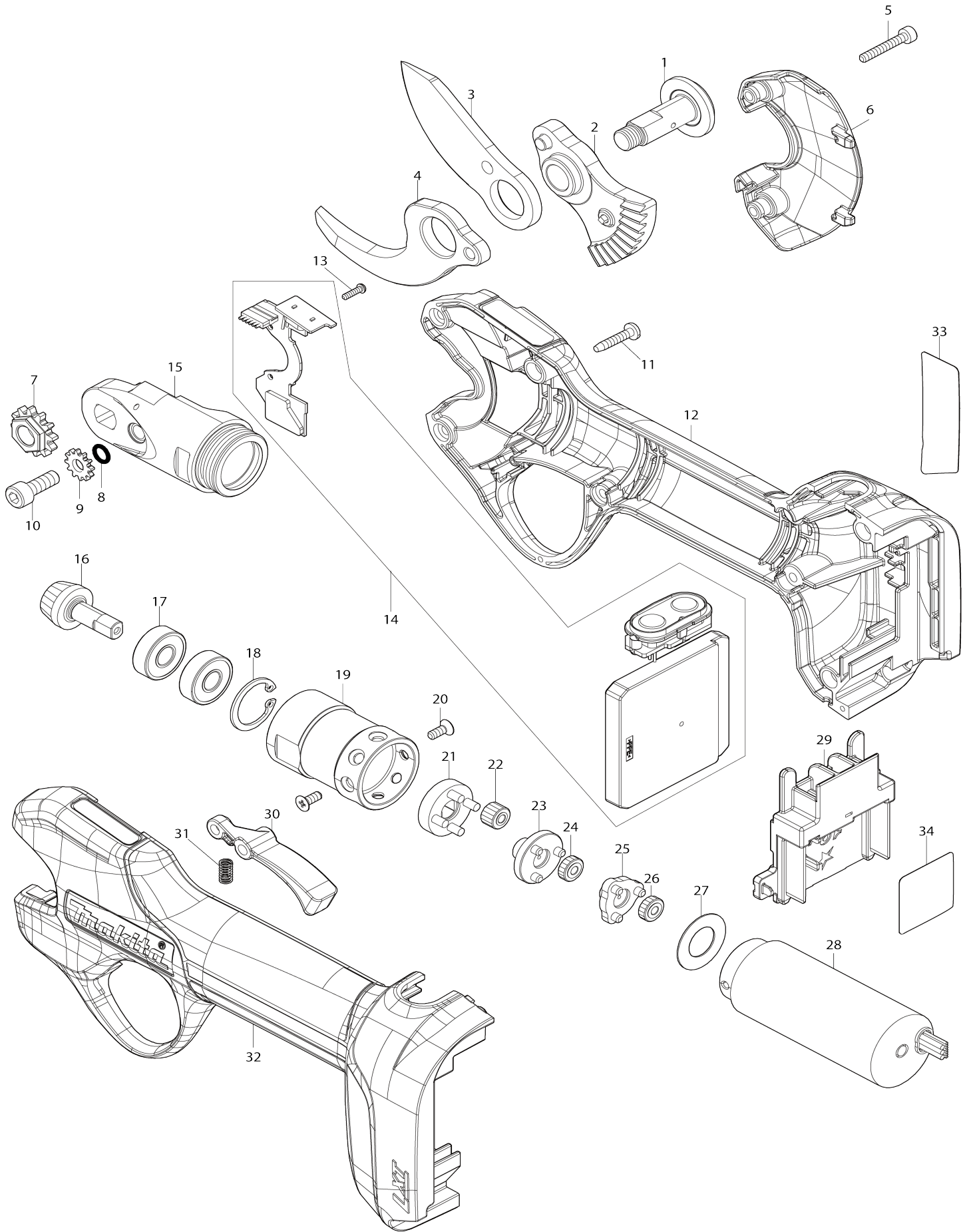


# Model No.DUP181 Cordless Pruning Shears



# Model No.DUP181 Cordless Pruning Shears

Item No.	Parts No.	Description	Interchangeability	Q'ty	New/Old	Note1	Note2
001	1412C5-5	SHOULDER SCREW M8 COMPLETE		1			
002	1412C4-7	BLADE HOLDER COMPLETE		1			
003	1832B2-8	SHEAR BLADE U SET		1			
004	1832B1-0	SHEAR BLADE L SET		1			
005	265633-0	Hex. socket head bolt M3X20		2			
006	1412C8-9	HOUSING COVER COMPLETE		1			
C10	8065E8-5	Caution label		1			
007	252360-8	HEX. NUT M8		1			
008	213021-5	O-ring 5		1			
009	347E21-4	LOCK PLATE		1			
010	265D07-9	Hex. socket head bolt M5X14		1			
011	266130-9	Binding head tapping screw 3X16		6			
012	1831X3-4	HOUSING SET		1			
C10	263005-3	Rubber pin 6		2			
C20	8065E6-9	Indication label		1			
C30	8065E7-7	Indication label		1			
012		INC. 32					
013	265D05-3	Pan head screw M2X8		2			
014	620S81-8	CONTROLLER COMPLETE		1			
015	327F92-3	GEAR HOUSING		1			
016	227C40-3	ZEROL BEVEL GEAR 9		1			
017	210017-7	Ball bearing 607DDW		2			
018	962059-4	Retaining ring (INT) R-19		1			
019	227C41-1	INTERNAL GEAR 43		1			
020	912007-3	Countersunk head screw M3X8		2			
021	1412B6-6	SUPPORTER COMPLETE		1			
022	227C44-5	SPUR GEAR 14		4			
023	141S57-7	Spur gear 13 complete		1			
024	227C43-7	SPUR GEAR 15		3			
025	141S56-9	Spur gear 11 B complete		1			
026	227C43-7	SPUR GEAR 15		3			
027	253084-9	Flat washer 12		1			
028	629D39-4	DC MOTOR		1			
029	643874-2	Terminal		1			
030	1412F3-0	TRIGGER COMPLETE		1			
031	232765-8	Compression spring 3		1			
032	1831X3-4	HOUSING SET		1			
C10	263005-3	Rubber pin 6		2			
C20	8065E6-9	Indication label		1			
C30	8065E7-7	Indication label		1			
032		INC. 12					
033	8152J3-1	DUP181 NAME PLATE		1			
034	8152J5-7	DUP181 SERIAL NO. LABEL		1			
A01	1412W2-1	BLADE COVER COMPLETE B		1			
C10	8095H2-7	Caution label		1			
A02	782212-4	Box wrench 13		1			

A03	783202-0	Hex. wrench 4		1		
A04	783208-8	Hex. wrench 2.5		1		
A05B	450128-8	Battery cover		1		
A06B	***DC18SD	DC18SD BATTERY CHARGER		1		
A06B		COMPO-PARTS				
A07B	197600-6	Battery BL1830B set		1		

Please state Parts No. when your order.

Print Date 26. 01. 2026