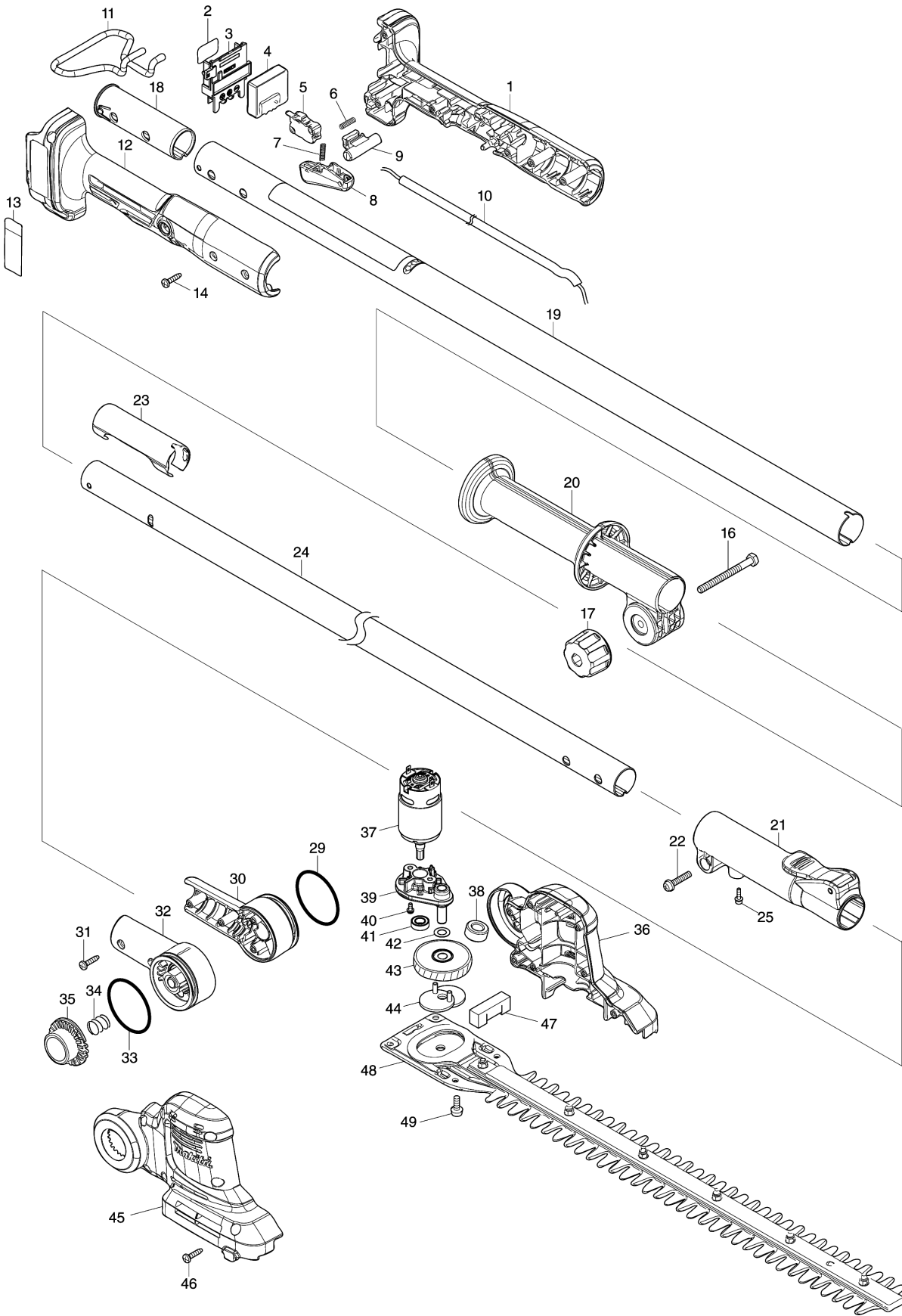


Model No.DUN461W 460MM DC POLE HEDGE TRIMMER



Model No.DUN461W 460MM DC POLE HEDGE TRIMMER

| Položaj | Številka dela | Opis | Sprememba | Količina | New/Old | Opcijsko 1 | Opcijsko 2 | Opomba |
|---------|---------------|-----------------------------|-----------|----------|---------|------------|------------|--------|
| 001 | 183S96-1 | GRIP HOUSING SET | | 1 | | | | |
| C10 | 263005-3 | RUBBER PIN 6 | | 2 | | | | |
| D10 | | INC. 12 | | | | | | |
| 002 | 811M68-7 | DUN461W SERIAL NO. LABEL | | 1 | | | | |
| 003 | 643874-2 | TERMINAL | | 1 | | | | |
| 004 | 620F42-0 | CONTROLLER | | 1 | | | | |
| 005 | 651398-4 | SWITCH BMC-1112-001 | | 1 | | | | |
| 006 | 231473-8 | COMPRESSION SPRING 4 | | 1 | | | | |
| 007 | 231473-8 | COMPRESSION SPRING 4 | | 1 | | | | |
| 008 | 413714-6 | SWITCH LEVER | | 1 | | | | |
| 009 | 413713-8 | LOCK OFF BUTTON A | | 1 | | | | |
| 010 | 699168-3 | POWER SUPPLY CORD UNIT | | 1 | | | | |
| C10 | 654069-2 | RECEPTACLE | | 2 | | | | |
| 011 | 327810-3 | BATTERY GUARD | | 1 | | | | |
| 012 | 183S96-1 | GRIP HOUSING SET | | 1 | | | | |
| C10 | 263005-3 | RUBBER PIN 6 | | 2 | | | | |
| D10 | | INC. 1 | | | | | | |
| 013 | 811M62-9 | DUN461W NAME PLATE | | 1 | | | | |
| 014 | 266326-2 | TAPPING SCREW 4X18 | | 6 | | | | |
| 016 | 921362-2 | HEX. BOLT M6X40 | | 1 | | | | |
| 017 | 264072-1 | THUMB NUT M6 | | 1 | | | | |
| C10 | 931302-2 | HEX. NUT M6 | | 1 | | | | |
| 018 | 413712-0 | PIPE CAP 32 | | 1 | | | | |
| 019 | 141B61-4 | PIPE 32 COMPLETE | | 1 | | | | |
| C10 | 8008A7-9 | CAUTION LABEL | | 1 | | | | |
| C20 | 808723-2 | CAUTION LABEL | | 1 | | | | |
| 020 | 413719-6 | FRONT GRIP A | | 1 | | | | |
| 021 | 141C39-3 | PIPE HOLDER 32 COMPLETE | | 1 | | | | |
| C10 | 252103-8 | HEX. LOCK NUT M5-8 | | 1 | | | | |
| 022 | 911243-8 | PAN HEAD SCREW M5X25 | | 1 | | | | |
| 023 | 413711-2 | PIPE CAP 28 | | 1 | | | | |
| 024 | 327815-3 | PIPE 28 | | 1 | | | | |
| 025 | 251568-1 | H.S.H.BOLT M3X12 WITH WR | | 1 | | | | |
| 029 | 213616-4 | O RING 48 | | 1 | | | | |
| 030 | 183T14-5 | PIPE HOLDER SET | | 1 | | | | |
| D10 | | INC. 32 | | | | | | |
| 031 | 266326-2 | TAPPING SCREW 4X18 | | 4 | | | | |
| 032 | 183T14-5 | PIPE HOLDER SET | | 1 | | | | |
| D10 | | INC. 30 | | | | | | |
| 033 | 213616-4 | O RING 48 | | 1 | | | | |

Model No.DUN461W 460MM DC POLE HEDGE TRIMMER

| Položaj | Številka dela | Opis | Sprememba | Količina | New/Old | Opcijsko 1 | Opcijsko 2 | Opomba |
|---------|---------------|------------------------------|-----------|----------|---------|------------|------------|--------|
| 034 | 231113-8 | COMPRESSION SPRING 12 | | 1 | | | | |
| 035 | 413715-4 | LOCK OFF BUTTON B | | 1 | | | | |
| 036 | 183T13-7 | MOTOR HOUSING SET | | 1 | | | | |
| C10 | 263005-3 | RUBBER PIN 6 | | 4 | | | | |
| D10 | | INC. 45 | | | | | | |
| 037 | 629A62-1 | DC MOTOR | | 1 | | | | |
| 038 | 688131-1 | LINE FILTER | | 1 | | | | |
| 039 | 141B58-3 | MOTOR HOLDER COMPLETE | | 1 | | | | |
| 040 | 265199-0 | + PAN HEAD SCREW M3X8 | | 2 | | | | |
| 041 | 210124-6 | BALL BEARING 688ZZ | | 1 | | | | |
| 042 | 253215-0 | FLAT WASHER 8 | | 1 | | | | |
| 043 | 141B59-1 | GEAR COMPLETE | | 1 | | | | |
| 044 | 165734-3 | CRANK | | 1 | | | | |
| 045 | 183T13-7 | MOTOR HOUSING SET | | 1 | | | | |
| C10 | 263005-3 | RUBBER PIN 6 | | 4 | | | | |
| D10 | | INC. 36 | | | | | | |
| 046 | 266326-2 | TAPPING SCREW 4X18 | | 7 | | | | |
| 047 | 424958-3 | SPONGE SEAL | | 1 | | | | |
| 048 | 191P00-8 | SHEAR BLADE 460 ASSEMBLY SET | | 1 | | | | |
| C10 | 188369-3 | OIL VESSEL SET | | 1 | | | | |
| 049 | 265074-0 | PAN HEAD SCREW M5X16 | | 4 | | | | |
| A01 | 413720-1 | BLADE COVER | | 1 | | | | |
| A02B | ***DC18SD | DC18SD BATTERY CHARGER | | 1 | | | | |
| D10 | | COMPO-PARTS | | | | | | |
| A03B | 197600-6 | BATTERY BL1830B SET | | 1 | | | | |
| A04B | 450128-8 | BATTERY COVER | | 1 | | | | |
| E01 | 800A44-4 | SOUND 88DB LABEL | | 1 | | | | |

Please order the parts with part number.

Print Date 3/11/2021