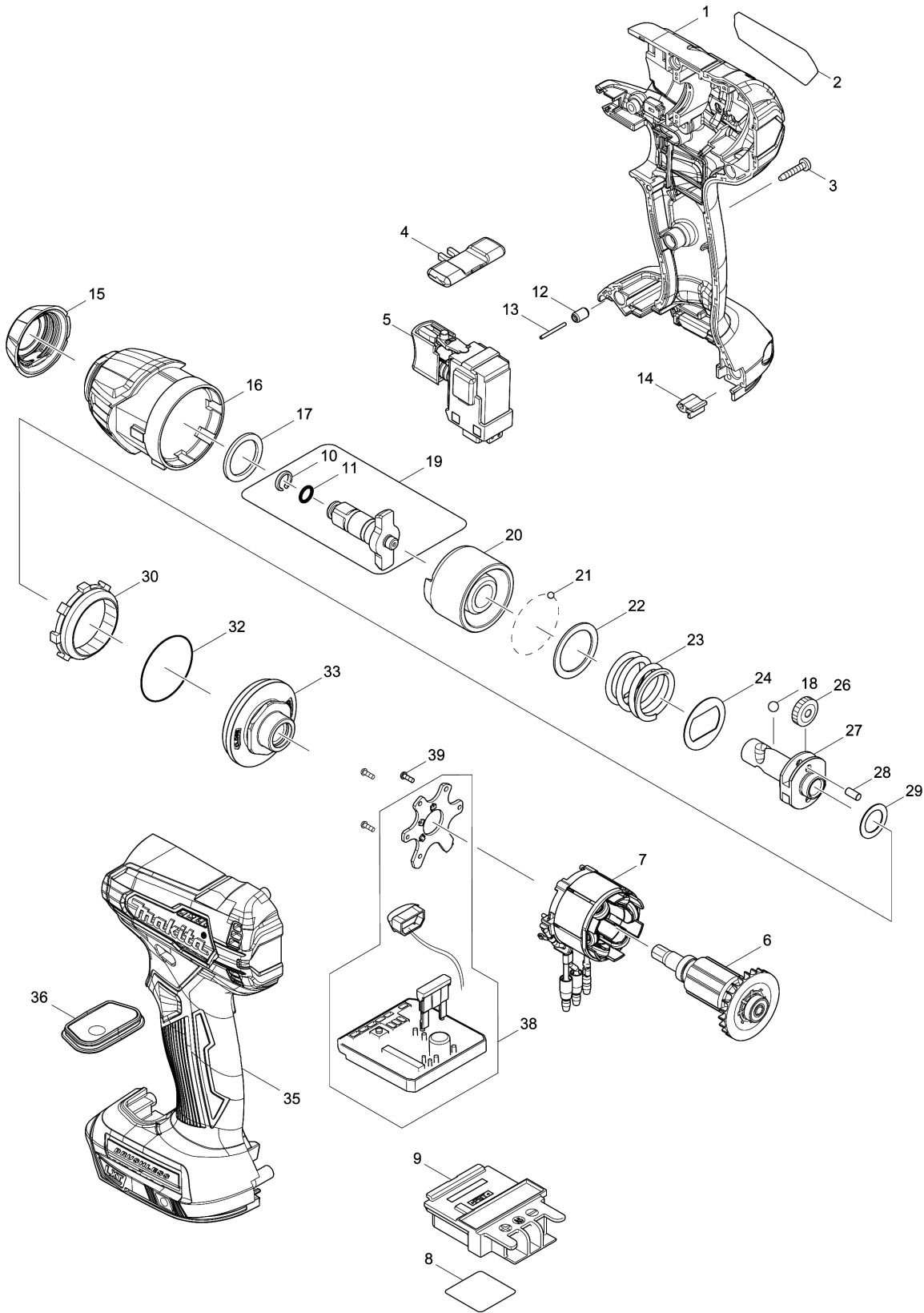


Model No.DTW180 CORDLESS IMPACT WRENCH



Model No.DTW180 CORDLESS IMPACT WRENCH

| Položaj | Številka dela | Opis | Sprememba | Količina | New/Old | Opcijsko 1 | Opcijsko 2 | Opomba |
|---------|---------------|-----------------------------------|-----------|----------|---------|------------|------------|--------|
| 001 | 183J24-2 | HOUSING SET | | 1 | | | | |
| C10 | 263005-3 | Gumi zatič 6 | | 2 | | | | |
| C20 | 252126-6 | Šesterokotna matica M4-7 MT070 | | 2 | | | | |
| D10 | | INC. 35 | | | | | | |
| 002 | 854D82-6 | DTW180 NAME PLATE | | 1 | | | | |
| 003 | 266429-2 | Samovrezni vijak 3x16 | | 9 | | | | |
| 004 | 455053-8 | F/R CHANGE LEVER | | 1 | | | | |
| 005 | 143975-1 | SWITCH COMPLETE | | 1 | | | | |
| C10 | 424890-1 | SWITCH COVER | | 1 | | | | |
| 006 | 619491-0 | ROTOR | | 1 | * | | | |
| 006-1 | 619491-0 | ROTOR | O | 1 | | | | |
| 007 | 629334-8 | STATOR | | 1 | | | | |
| 008 | 854D86-8 | DTW180 SERIAL NO. LABEL | | 1 | | | | |
| 009 | 643860-3 | Priklop za baterijo | | 1 | | | | |
| 010 | 233943-3 | RING SPRING 8 | | 1 | | | | |
| 011 | 213960-9 | O tesnilo 5 | | 1 | | | | |
| 012 | 263036-2 | Gumi zatič 5 | | 1 | | | | |
| 013 | 268284-8 | PIN 1.5 | | 1 | | | | |
| 014 | 424517-3 | Gumi blažilec BHP459 | | 1 | | | | |
| 015 | 422228-4 | BUMPER | | 1 | | | | |
| 016 | 144823-7 | HAMMER CASE COMPLETE | | 1 | | | | |
| C10 | 213166-9 | O-Tesnilo 12.5 TD090D | | 1 | | | | |
| 017 | 261159-0 | NYLON WASHER 19 | | 1 | | | | |
| 018 | 216002-8 | Kovinska kroglica 4.8 | | 2 | | | | |
| 019 | 135932-3 | ANVIL ASS'Y | | 1 | | | | |
| D10 | | INC. 10,11 | | | | | | |
| 020 | 327045-6 | HAMMER | | 1 | | | | |
| 021 | 216019-1 | Kovinska kroglica 3 | | 24 | | | | |
| 022 | 267352-4 | Ploska kovinska podložka 22 | | 1 | | | | |
| 023 | 232410-5 | COMPRESSION SPRING 21 | | 1 | | | | |
| 024 | 267813-4 | Podložka 21 | | 1 | | | | |
| 026 | 221437-0 | SPUR GEAR 17 | | 2 | | | | |
| 027 | 327046-4 | SPINDLE | | 1 | | | | |
| 028 | 268217-3 | Zatič 3.5 | | 2 | | | | |
| 029 | 253052-2 | Ploska podložka 12 | | 1 | | | | |
| 030 | 227316-0 | INTERNAL GEAR 43 | | 1 | | | | |
| 032 | 213479-8 | O Tesnilo 33 | | 1 | | | | |
| 033 | 144829-5 | BEARING BOX COMPLETE | | 1 | * | | | |
| 033-1 | 140G75-0 | BEARING BOX COMPLETE | O | 1 | | | | |
| 035 | 183J24-2 | HOUSING SET | | 1 | | | | |
| C10 | 263005-3 | Gumi zatič 6 | | 2 | | | | |

Model No.DTW180 CORDLESS IMPACT WRENCH

| Položaj | Številka dela | Opis | Sprememba | Količina | New/Old | Opcijsko 1 | Opcijsko 2 | Opomba |
|---------|---------------|------------------------------------|-----------|----------|---------|------------|------------|--------|
| C20 | 252126-6 | Šesterokotna matica M4-7 MT070 | | 2 | | | | |
| D10 | | INC. 1 | | | | | | |
| 036 | 144828-7 | SWITCH PLATE COMPLETE | | 1 | | | | |
| 038 | 620743-4 | CONTROLLER | | 1 | | | | |
| 039 | 266490-9 | TAPPING SCREW PT 2X6 | | 3 | | | | |
| A01 | 346317-0 | Obešalni kavelj vijačnika | | 1 | | | | |
| A02 | 266622-8 | Vijak z nizko cilindrično M4X12 | | 1 | | | | |
| A03B | ***DC18RC | DC18RC FAST CHARGER | | 1 | | | | |
| A04B | 197600-6 | BATTERY BL1830B SET | | 2 | * | | | |
| A04-1B | 197600-6 | BATTERY BL1830B SET | O | 2 | | | | |
| A05B | 450128-8 | Pokrov za baterijo | | 1 | | | | |
| A06B | 141856-3 | Plastični kovček kpl. DF456D | | 1 | | | | |
| C10 | 162302-3 | Zapiralo za HR2610 | | 2 | | | | |
| C20 | 324207-7 | Pogonska gred | | 1 | | | | |
| C30 | 451749-9 | Ročaj HR2610 | | 1 | | | | |

Please order the parts with part number.

Print Date 23/11/2020