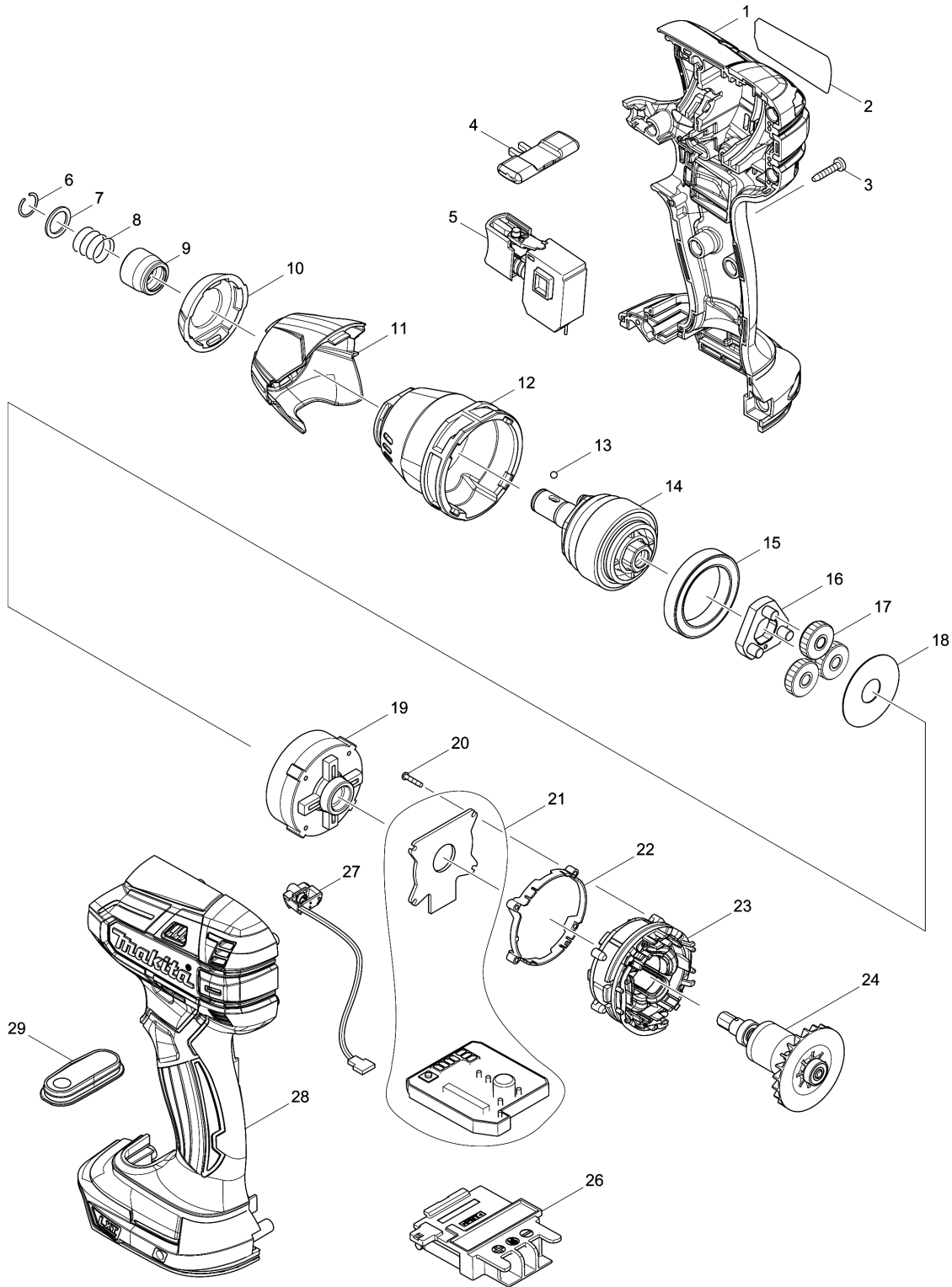


Model No.DTS141 CORDLESS OIL-PULSE DRIVER



Model No.DTS141 CORDLESS OIL-PULSE DRIVER

| Položaj | Številka dela | Opis | Sprememba | Količina | New/Old | Opcijsko 1 | Opcijsko 2 | Opomba |
|---------|---------------|------------------------------------|-----------|----------|---------|------------|------------|--------|
| 001 | 187989-0 | HOUSING SET | | 1 | | | | |
| C10 | 263005-3 | Gumi zatič 6 | | 2 | | | | |
| C20 | 252126-6 | Šesterokotna matica M4-7 MT070 | | 2 | | | | |
| D10 | | INC. 28 | | | | | | |
| 002 | 850H88-6 | DTS141 NAME PLATE | | 1 | | | | |
| 003 | 266130-9 | Samovrezni vijak PT 3X16 6935FD | | 9 | | | | |
| 004 | 455053-8 | F/R CHANGE LEVER | | 1 | | | | |
| 005 | 650673-5 | Stikalo C3JW-1A | | 1 | | | | |
| 006 | 231965-7 | Obročna vzmet 10 TD090D | | 1 | | | | |
| 007 | 267143-3 | Ploska podložka 11 | | 1 | | | | |
| 008 | 234347-2 | COMPRESSION SPRING 11 | | 1 | | | | |
| 009-1 | 326542-9 | BIT SLEEVE | | 1 | | | | |
| 010 | 424662-4 | BUMPER | | 1 | | | | |
| 011 | 455468-9 | UNIT CASE COVER | | 1 | | | | |
| 012 | 142928-7 | UNIT CASE COMPLETE | | 1 | | | | |
| C10 | 213126-1 | OIL SEAL 12 | | 1 | | | | |
| C20 | 211136-2 | Kroglični ležaj 6801LLB | | 1 | | | | |
| 013 | 216019-1 | Kovinska kroglica 3 | | 2 | | | | |
| 014-2 | 143275-9 | OIL UNIT COMPLETE | | 1 | | | | |
| C10 | 143265-2 | BIT PIECE C COMPLETE | | 1 | | | | |
| 015 | 211294-4 | Kroglični ležaj 6806LLU | | 1 | | | | |
| 016 | 142929-5 | CARRIER COMPLETE | | 1 | | | | |
| 017 | 227368-1 | SPUR GEAR 22 | | 3 | | | | |
| 018 | 267067-3 | Ploska kovinska podložka 12 | | 1 | | | | |
| 019 | 227361-5 | INTERNAL GEAR 51 | | 1 | | | | |
| 020 | 266786-8 | Samovrezni vijak PT2x10 TD129D | | 4 | | | | |
| 021 | 620354-5 | CONTROLLER | | 1 | * | | | |
| 021-1 | 620895-1 | CONTROLLER | < | 1 | | | | |
| 022 | 687464-1 | Nosilec-vmesni del za BHP459 | | 1 | | | | |
| 023 | 629137-0 | STATOR | | 1 | | | | |
| 024 | 619358-2 | ROTOR | | 1 | | | | |
| 026 | 643860-3 | Priklop za baterijo | | 1 | | | | |
| 027 | 620355-3 | LED CIRCUIT | | 1 | | | | |
| 028 | 187989-0 | HOUSING SET | | 1 | | | | |
| C10 | 263005-3 | Gumi zatič 6 | | 2 | | | | |
| C20 | 252126-6 | Šesterokotna matica M4-7 MT070 | | 2 | | | | |
| D10 | | INC. 1 | | | | | | |
| 029-1 | 141583-2 | Ploščica stikala | | 1 | | | | |
| A01 | 266622-8 | Vijak z nizko cilindrično M4X12 | | 1 | | | | |
| A02 | 346317-0 | Obešalni kavelj vijačnika | | 1 | | | | |

Please order the parts with part number.

Print Date 26/1/2021

Model No.DTS141 CORDLESS OIL-PULSE DRIVER

| Položaj | Številka dela | Opis | Sprememba | Količina | New/Old | Opcijsko 1 | Opcijsko 2 | Opomba |
|---------|---------------|---|-----------|----------|---------|------------|------------|--------|
| A03A | 821550-0 | Makpac kovček za prenašanje 395 x 295 x 157mm | | 1 | | | | |
| C10 | 453974-8 | Plastična zaponka za MAKPAC plastične kovček | | 4 | | | | |
| A03C | 821550-0 | Makpac kovček za prenašanje 395 x 295 x 157mm | | 1 | | | | |
| C10 | 453974-8 | Plastična zaponka za MAKPAC plastične kovček | | 4 | | | | |
| A04A | 837670-0 | Makpac type 2 inner layout - BTD129 | | 1 | | | | |
| A04C | 837670-0 | Makpac type 2 inner layout - BTD129 | | 1 | | | | |
| A05A | 805G14-4 | DTS141RMJ INDICATION LABEL | | 1 | | | | |
| A05C | 812X54-7 | DTS141RTJ1 INDICATION LABEL | | 1 | | | | |
| A06A | 805G15-2 | DTS141RMJ PLASTIC CASE LABEL | | 2 | | | | |
| A06C | 812X55-5 | DTS141RTJ1 PLASTIC CASE LABEL | | 2 | | | | |
| A07A | ***DC18RC | DC18RC FAST CHARGER | | 1 | | | | |
| A07C | ***DC18RC | DC18RC FAST CHARGER | | 1 | | | | |
| A08-1A | 197265-4 | BATTERY BL1840B SET | | 2 | * | | | |
| A08-1C | 197280-8 | BATTERY BL1850B SET | | 2 | * | | | |
| A08-2A | 197265-4 | BATTERY BL1840B SET | O | 2 | | | | |
| A08-2C | 197280-8 | BATTERY BL1850B SET | O | 2 | | | | |
| A09A | 450128-8 | Pokrov za baterijo | | 1 | | | | |
| A09C | 450128-8 | Pokrov za baterijo | | 1 | | | | |
| A10C | B-54536 | IMPACTGOLD 38PCS.SCREW BIT SET | | 1 | | | | |

Please order the parts with part number.

Print Date 26/1/2021