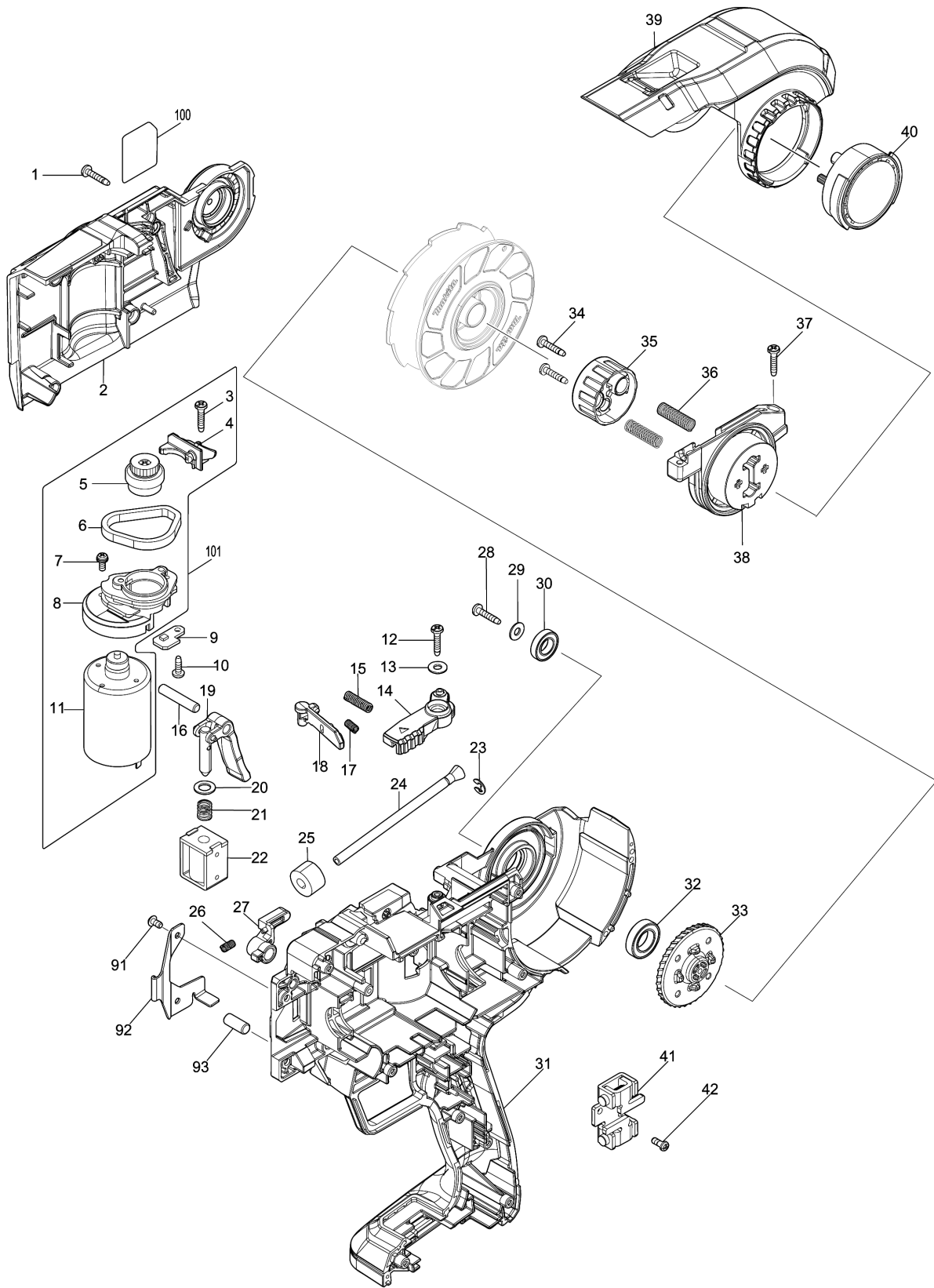
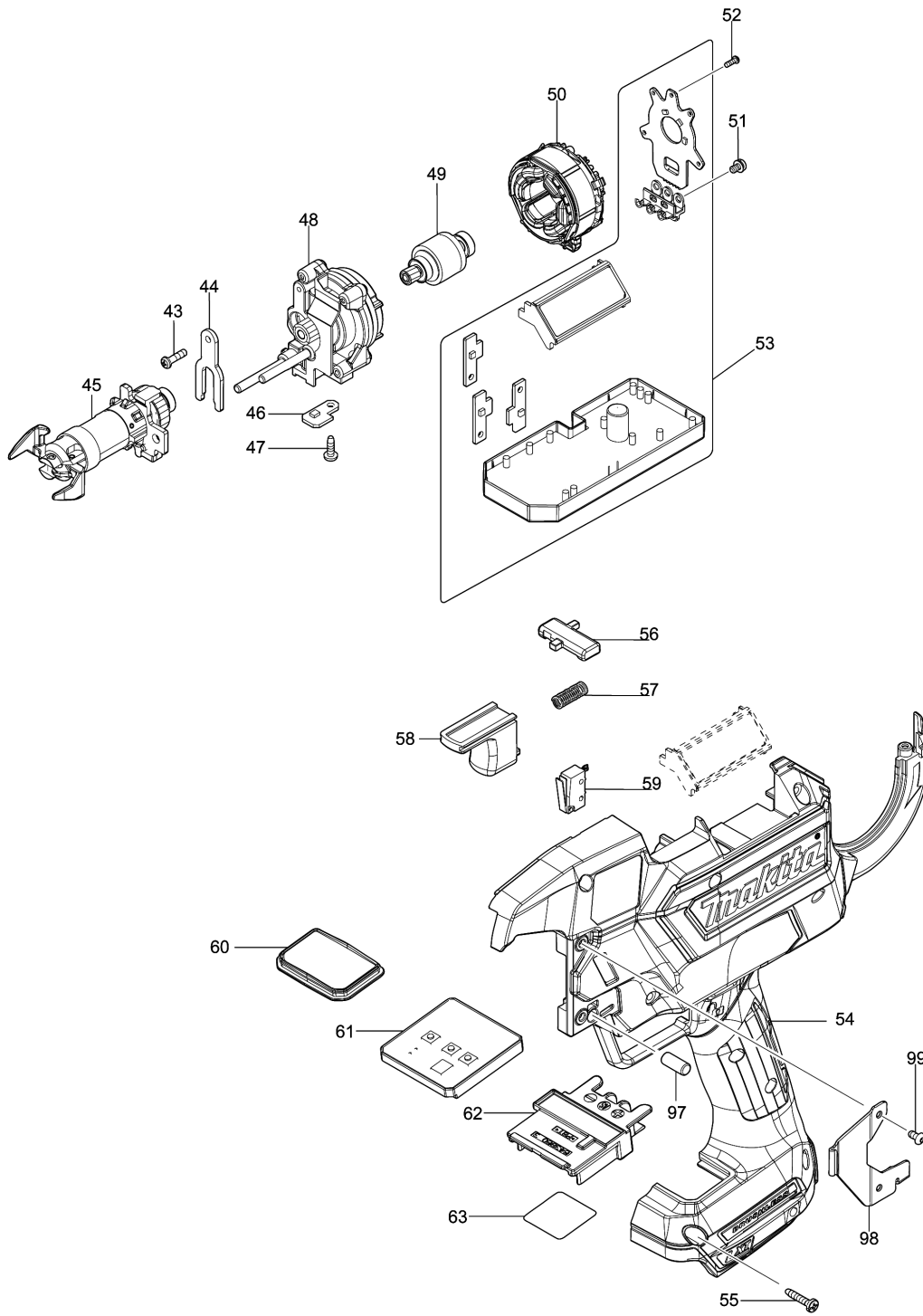


Model No.DTR180 CORDLESS REBAR TYING TOOL



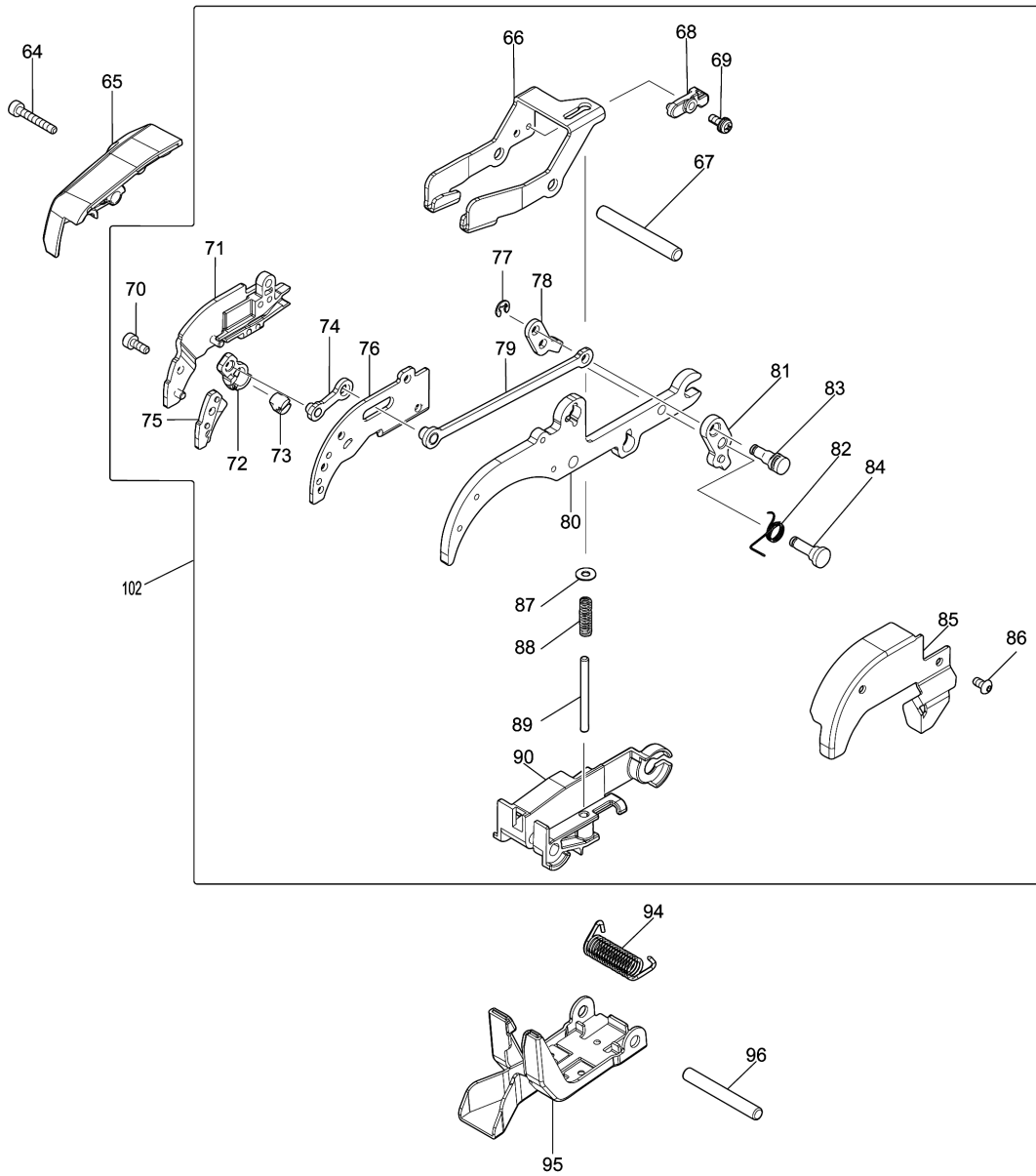


Model No.DTR180 CORDLESS REBAR TYING TOOL





Model No.DTR180 CORDLESS REBAR TYING TOOL





Model No.DTR180 CORDLESS REBAR TYING TOOL

Položaj	Številka dela	Opis	Sprememba	Količina	New/Old	Opcijsko 1	Opcijsko 2	Opomba
001	266130-9	Samovrezni vijak PT 3X16 6935FD		4				
002	140B66-1	HOUSING COVER COMPLETE		1	*			
C10	817A35-8	INDICATION LABEL A		1	*			
C20	817A42-1	CAUTION LABEL A		1	*			
C30	817A44-7	CAUTION LABEL B		1	*			
002-1	140J78-2	HOUSING COVER COMPLETE	S	1	*			
C10	817A35-8	INDICATION LABEL A		1	*			
C20	817A42-1	CAUTION LABEL A		1	*			
C30	817A44-7	CAUTION LABEL B		1	*			
002-2	140V64-5	HOUSING COVER COMPLETE	O	1				
C10	817A35-8	INDICATION LABEL A		1				
C20	817A42-1	CAUTION LABEL A		1				
C30	817A44-7	CAUTION LABEL B		1				
003	266130-9	Samovrezni vijak PT 3X16 6935FD		1				
004	310864-7	WIRE GUIDE A		1				
005	135968-2	SPUR GEAR 30A ASSEMBLY		1				
006	422247-0	SPONGE SHEET A		1				
007	911008-8	PAN HEAD SCREW M3X8		2				
008	458222-0	MOTOR BASE		1				
009	620913-5	SENSOR CIRCUIT		1				
010	266007-8	Pločevinasti vijak BIND PT 3x10 9558PB		1				
011	629346-1	DC MOTOR		1				
012	266130-9	Samovrezni vijak PT 3X16 6935FD		1				
013	941051-3	Ploska podložka 4		1				
014	135969-0	RELEASE LEVER ASSY		1				
015	232443-0	COMPRESSION SPRING 3		1				
016	256098-7	Zatič 5		1				
017	232442-2	COMPRESSION SPRING 3		1				
018	458223-8	LOCK LEVER		1				
019	140A85-1	BRAKE ARM COMPLETE		1				
020	941152-7	Ploska kovinska podložka 6		1				
021	232446-4	COMPRESSION SPRING 7		1				
022	679032-4	SOLENOID		1				
023	961011-9	Zaporno tesnilo E-4 432*series		1	*			
024	327112-7	WIRE GUIDE PIPE		1	*			
024-1	140L14-0	WIRE GUIDE PIPE COMPLETE	S	1				
025	422249-6	SPONGE SHEET B		1				
026	232442-2	COMPRESSION SPRING 3		1				

Model No.DTR180 CORDLESS REBAR TYING TOOL

Položaj	Številka dela	Opis	Sprememba	Količina	New/Old	Opcijsko 1	Opcijsko 2	Opomba
027	144901-3	MAGNET ARM CCOMPLETE		1				
028	266130-9	Samovrezni vijak PT 3X16 6935FD		1				
029	941051-3	Ploska podložka 4		1				
030	211478-4	BALL BEARING 689		1				
031	183J56-9	HOUSING SET		1				
C10	263005-3	Gumi zatič 6		2				
C20	252126-6	Šesterokotna matica M4-7 MT070		2				
C30	931002-4	HEX. NUT M3		2				
C40	817A46-3	CAUTION LABEL C		1				
D10		INC. 54						
032	211136-2	Kroglični ležaj 6801LLB		1				
033	144904-7	MAGNET WHEEL COMPLETE		1	*			
033-1	140H97-6	MAGNET WHEEL COMPLETE	S	1				
034	266130-9	Samovrezni vijak PT 3X16 6935FD		2				
035	319665-0	REEL BEARING		1	*			
035-1	319822-0	REEL BEARING	<	1				
036	231294-8	Tlačna spiralna vzmet 6		2				
037	266130-9	Samovrezni vijak PT 3X16 6935FD		2				
038	458225-4	REEL BASE		1				
039	458216-5	REEL COVER		1				
040	458221-2	REEL BEARING CAM		1				
041	126743-7	STOPPER ASSEMBLY		1				
042	265199-0	Vijak z nizko cilindrično glavo 4075D		2				
043	911017-7	Vijak z nizko cilindrično glavo M3X12 DF451DFM		1				
044	310866-3	BEARING RTAINER		1				
045	140B72-6	MAIN SLEEVE COMPLETE		1	*			
045-1	140J49-9	MAIN SLEEVE COMPLETE	<	1				
046	620913-5	SENSOR CIRCUIT		1				
047	266007-8	Pločevinasti vijak BIND PT 3x10 9558PB		1				
048	126838-6	GEAR ASSEMBLY		1				
049	619520-9	ROTOR		1				
050	629343-7	STATOR		1				
051	652069-6	FLAT HEAD SCREW M3X6		3				
052	266490-9	TAPPING SCREW PT 2X6		3				
053	140B68-7	MAIN CONTROLLER COMPLETE		1				
C10	817A37-4	INDICATION LABEL B		1				
054	183J56-9	HOUSING SET		1				
C10	263005-3	Gumi zatič 6		2				



Model No.DTR180 CORDLESS REBAR TYING TOOL

Položaj	Številka dela	Opis	Sprememba	Količina	New/Old	Opcijsko 1	Opcijsko 2	Opomba
C20	252126-6	Šesterokotna matica M4-7 MT070		2				
C30	931002-4	HEX. NUT M3		2				
C40	817A46-3	CAUTION LABEL C		1				
D10		INC. 31						
055	266130-9	Samovrezni vijak PT 3X16 6935FD		11				
056	458219-9	TRIGGER LOCK		1				
057	234037-7	Tlačna spiralna vzmet 5		1				
058	458220-4	TRIGGER		1				
059	632L94-5	SWITCH UNIT		1				
060	140B67-9	SWITCH PLATE COMPLETE		1				
C10	817A39-0	INDICATION LABEL C		1				
061	620924-0	SWITCH CIRCUIT		1				
062	643860-3	Priklop za baterijo		1				
063	854L26-4	DTR180 SERIAL NO. LABEL		1				
064	265633-0	HEX SOCKET HEAD BOLT M3X20		1				
065	458217-3	CONTACT PLATE COVER		1				
066	347331-9	CONTACT PLATE		1				
067	256573-3	PIN 5		1				
068	144903-9	MAGNET BASE B COMPLETE		1				
069	911008-8	PAN HEAD SCREW M3X8		1				
070	265634-8	HEX SOCKET HEAD BOLT M3X8		1				
071	140C95-0	WIRE GUIDE B COMPLETE		1				
072	310815-0	CUTTER B		1				
073	310814-2	CUTTER A		1				
074	161872-9	LINK ARM A COMPLETE		1				
075	347328-8	TOP PLATE		1				
076	347326-2	GUIDE PLATE A		1				
077	961017-7	Zaporno tesnilo E-3		2				
078	347330-1	PULL PLATE		1	*			
078-1	347720-8	PULL PLATE	<	1				
079	161873-7	LINK ARM B COMPLETE		1				
080	347370-9	GUIDE ARM A		1				
081	347329-6	PUSH PLATE		1				
082	232445-6	TORSION SPRING 7		1				
083	256400-4	SHOULDER PIN 4		1				
084	256399-3	SHOULDER PIN 4		1				
085	347327-0	GUIDE PLATE B		1				
086	265635-6	H.S.BUTTON HEAD SCREW M3X6		2				
087	941001-8	FLAT WASHER 3		1				
088	232444-8	COMPRESSION SPRING 4		1				

Please order the parts with part number.

Print Date 22/12/2020

Model No.DTR180 CORDLESS REBAR TYING TOOL

Položaj	Številka dela	Opis	Sprememba	Količina	New/Old	Opcijsko 1	Opcijsko 2	Opomba
089	256390-1	PIN 3		1				
090	458226-2	LEAD HOLDER		1				
091	265635-6	H.S.BUTTON HEAD SCREW M3X6		2				
092	347333-5	SIDE PLATE R		1				
093	263040-1	RUBBER PIN 6		1				
094	232448-0	TORSION SPRING 6		1				
095	161867-2	CURL GUIDE COMPLETE		1				
096	256573-3	PIN 5		1				
097	263040-1	RUBBER PIN 6		1				
098	347332-7	SIDE PLATE L		1				
099	265635-6	H.S.BUTTON HEAD SCREW M3X6		2				
100	854L20-6	DTR180 NAME PLATE		1				
101	135999-1	DC MOTOR ASSY		1				
D10		INC. 3-8,11						
102	135998-3	GUIDE ARM ASS'Y		1	*			
D10		INC. 66-90			*			
102-1	136184-9	GUIDE ARM ASSY	<	1				
D10		INC. 66-90						
103	232508-8	COMPRESSION SPRING 10	S	1				
A01	251314-2	Vijak M4x12		1				
A02	346449-3	HOOK BTD146,BTD134D		1				
A03	783208-8	Inbus ključ 2.5 JN1601		1				
A04	821725-1	PLASTIC CARRYING CASE		1	*			
C10	163455-1	Zaponka novo		2	*			
A04-1	140S64-7	PLASTIC CASE COMPLETE	<	1				
C10	163455-1	Zaponka novo		2				
C20	8008X6-2	CAUTION LABEL		1				
A05	817D06-3	DTR180ZK PLASTIC CASE LABEL		2				
A09	162755-6	NYLON BRUSH		1				

Please order the parts with part number.

Print Date 22/12/2020