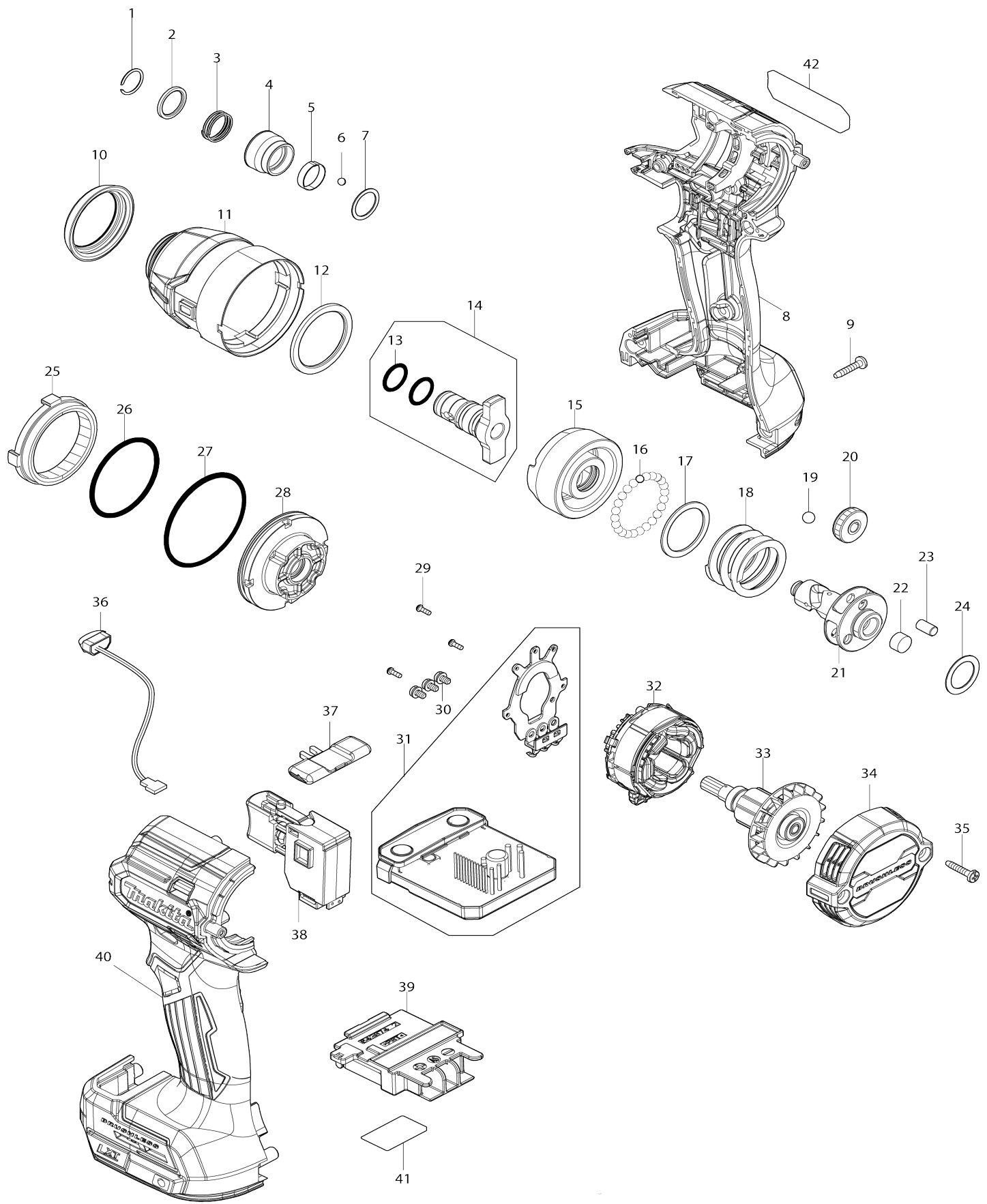


# Model No.DTD201 Cordless Impact Driver



# Model No.DTD201 Cordless Impact Driver

| Item No. | Parts No. | Description                     | Interchangability | Q'ty | New/Old | Note1 | Note2 |
|----------|-----------|---------------------------------|-------------------|------|---------|-------|-------|
| 001      | 232993-5  | Ring spring 12                  |                   | 1    |         |       |       |
| 002      | 347E43-4  | Ring 13                         |                   | 1    |         |       |       |
| 003      | 232970-7  | Compression spring 14           |                   | 1    |         |       |       |
| 004      | 327B23-8  | Bit sleeve                      |                   | 1    |         |       |       |
| 005      | 232800-2  | Leaf spring                     |                   | 1    |         |       |       |
| 006      | 216040-0  | Steel ball 3.5                  |                   | 2    |         |       |       |
| 007      | 253575-0  | Flat washer 13                  |                   | 1    |         |       |       |
| 008      | 1832B0-2  | HOUSING SET                     |                   | 1    |         |       |       |
| C10      | 263005-3  | Rubber pin 6                    |                   | 2    |         |       |       |
| C20      | 263027-3  | Rubber pin 4                    |                   | 2    |         |       |       |
| C30      | 252126-6  | Hex. lock nut M4-7              |                   | 2    |         |       |       |
| 008      |           | INC. 40                         |                   |      |         |       |       |
| 009      | 266429-2  | Binding head tapping screw 3X16 |                   | 7    |         |       |       |
| 010      | 422A03-4  | Bumper                          |                   | 1    |         |       |       |
| 011      | 1412E5-9  | Hammer case complete            |                   | 1    |         |       |       |
| 012      | 261160-5  | Nylon washer 30                 |                   | 1    |         |       |       |
| 013      | 213166-9  | O-ring 12.5                     |                   | 2    |         |       |       |
| 014      | 137386-0  | ANVIL M ASS'Y                   |                   | 1    |         |       |       |
| 014      |           | INC. 13                         |                   |      |         |       |       |
| 015      | 327B60-2  | Hammer                          |                   | 1    |         |       |       |
| 016      | 216040-0  | Steel ball 3.5                  |                   | 24   |         |       |       |
| 017      | 267175-0  | Flat washer 24                  |                   | 1    |         |       |       |
| 018      | 232967-6  | Compression spring 24           |                   | 1    |         |       |       |
| 019      | 216011-7  | Steel ball 5.6                  |                   | 2    |         |       |       |
| 020      | 227362-3  | Spur gear 22                    |                   | 3    |         |       |       |
| 021      | 327G02-6  | Spindle                         |                   | 1    |         |       |       |
| 022      | 422B40-4  | Felt                            |                   | 1    |         |       |       |
| 023      | 256253-1  | Pin 5                           |                   | 3    |         |       |       |
| 024      | 267194-6  | Flat washer 15                  |                   | 1    |         |       |       |
| 025      | 227A92-2  | Internal gear 51                |                   | 1    |         |       |       |
| 026      | 213507-9  | O-ring 40                       |                   | 1    |         |       |       |
| 027      | 213606-7  | O-ring 48                       |                   | 1    |         |       |       |
| 028      | 141M87-2  | Bearing box complete            |                   | 1    |         |       |       |
| 029      | 266490-9  | Pan head tapping screw 2X6      |                   | 3    |         |       |       |
| 030      | 652069-6  | Flat head screw M3X6            |                   | 3    |         |       |       |
| 031      | 620S74-5  | Controller complete             |                   | 1    |         |       |       |
| 032      | 629D60-3  | Stator                          |                   | 1    |         |       |       |
| 033      | 619877-8  | Rotor                           |                   | 1    |         |       |       |
| 034      | 413L86-1  | Rear cover                      |                   | 1    |         |       |       |
| 035      | 266429-2  | Binding head tapping screw 3X16 |                   | 2    |         |       |       |
| 036      | 620521-2  | LED circuit                     |                   | 1    |         |       |       |
| 037      | 455053-8  | F/R change lever                |                   | 1    |         |       |       |
| 038      | 650005-6  | Switch TGRK1-1                  |                   | 1    | *       |       |       |
| 038-1    | 650005-6  | Switch TGRK1-1                  | O                 | 1    |         |       |       |
| 039      | 643874-2  | Terminal                        |                   | 1    |         |       |       |
| 040      | 1832B0-2  | HOUSING SET                     |                   | 1    |         |       |       |

|      |           |                                 |  |   |  |  |
|------|-----------|---------------------------------|--|---|--|--|
| C10  | 263005-3  | Rubber pin 6                    |  | 2 |  |  |
| C20  | 263027-3  | Rubber pin 4                    |  | 2 |  |  |
| C30  | 252126-6  | Hex. lock nut M4-7              |  | 2 |  |  |
| 040  |           | INC. 8                          |  |   |  |  |
| 041  | 8153H6-7  | DTD201 SERIAL NO. LABEL         |  | 1 |  |  |
| 042  | 8153H4-1  | DTD201 NAME PLATE               |  | 1 |  |  |
| A01  | 266622-8  | Truss head screw M4X12          |  | 1 |  |  |
| A02  | 346317-0  | Hook                            |  | 1 |  |  |
| A03A | 821550-0  | Connector plastic case (type 2) |  | 1 |  |  |
| C10  | 453974-8  | Latch                           |  | 4 |  |  |
| A04A | 837670-0  | Inner tray                      |  | 1 |  |  |
| A05A | ***DC18RC | DC18RC FAST CHARGER             |  | 1 |  |  |
| A05A |           | COMPO-PARTS                     |  |   |  |  |
| A06A | 450128-8  | Battery cover                   |  | 1 |  |  |
| A07A | 197280-8  | Battery BL1850B set             |  | 2 |  |  |
| F01  | 191K57-9  | Tool hanger set                 |  | 1 |  |  |
| F02  | 194649-7  | Battery protector set           |  | 1 |  |  |
| F03  | 194654-4  | Wide hook set                   |  | 1 |  |  |

Please state Parts No. when your order.

Print Date 15. 04. 2026