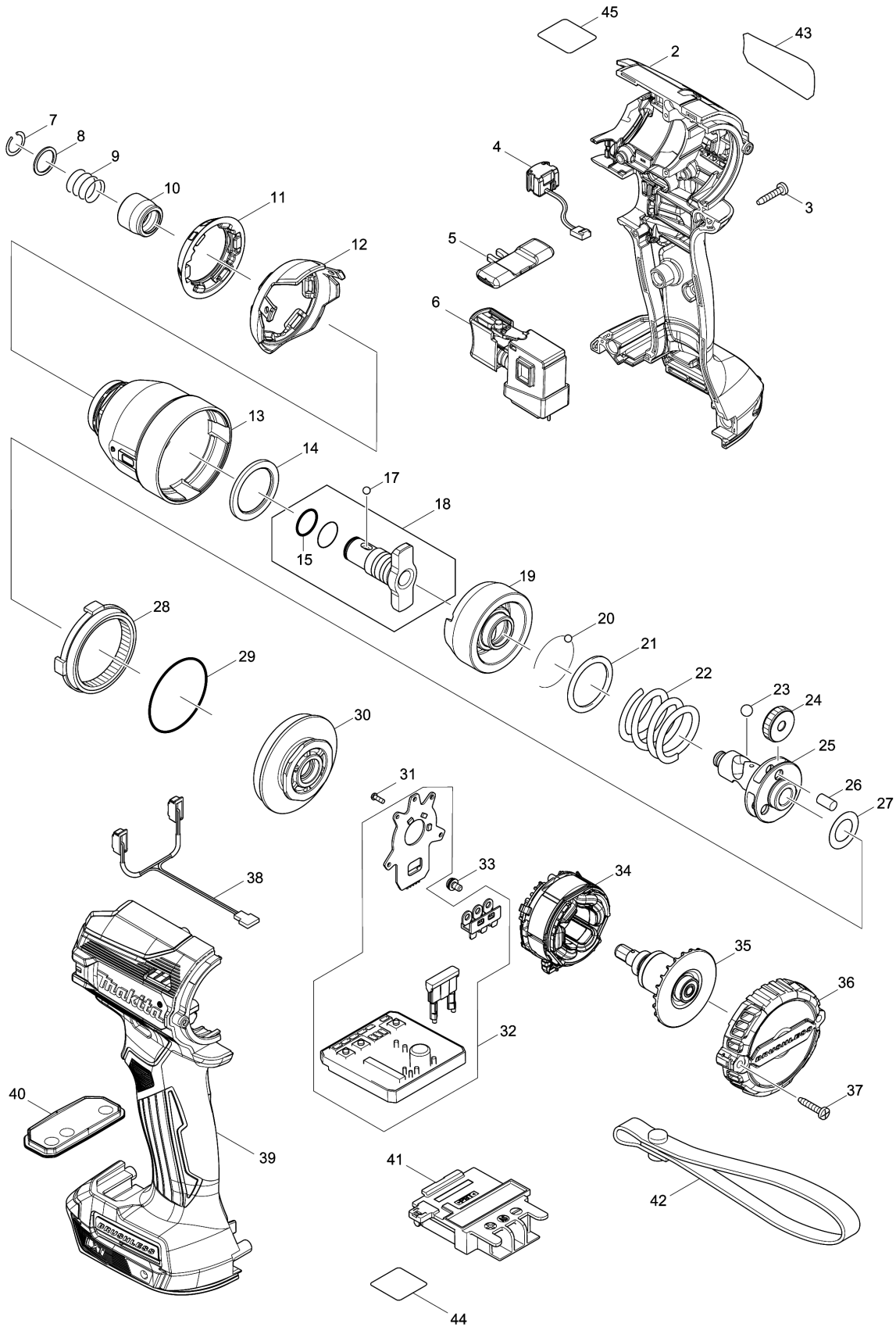


Model No.DTD171 CORDLESS IMPACT DRIVER



Model No.DTD171 CORDLESS IMPACT DRIVER

Položaj	Številka dela	Opis	Sprememba	Količina	New/Old	Opcijsko 1	Opcijsko 2	Opomba
002A	183K87-4	HOUSING SET		1	*			
C10	263005-3	Gumi zatič 6		2	*			
C20	252126-6	Šesterokotna matica M4-7 MT070		2	*			
D10		INC. 39			*			
002B	183K87-4	HOUSING SET		1	*			
C10	263005-3	Gumi zatič 6		2	*			
C20	252126-6	Šesterokotna matica M4-7 MT070		2	*			
D10		INC. 39			*			
002-1A	183N06-8	HOUSING SET	<	1				
C10	263005-3	Gumi zatič 6		2				
C20	252126-6	Šesterokotna matica M4-7 MT070		2				
D10		INC. 39						
002-1B	183N06-8	HOUSING SET	<	1				
C10	263005-3	Gumi zatič 6		2				
C20	252126-6	Šesterokotna matica M4-7 MT070		2				
D10		INC. 39						
002-1C	183N09-2	HOUSING SET		1				
C10	263005-3	Gumi zatič 6		2				
C20	252126-6	Šesterokotna matica M4-7 MT070		2				
D10		INC. 39						
002-1D	183N09-2	HOUSING SET		1				
C10	263005-3	Gumi zatič 6		2				
C20	252126-6	Šesterokotna matica M4-7 MT070		2				
D10		INC. 39						
003	266130-9	Samovrezni vijak PT 3X16 6935FD		8				
004	632L84-8	SWITCH UNIT		1				
005	455053-8	F/R CHANGE LEVER		1				
006	140B49-1	SWITCH COMPLETE		1				
C10	424496-5	Tesnilo		1				
007	231951-8	Vzmetna podložka 11 6935FD		1				
008	267085-1	Ploska podložka 12		1				
009	233005-7	Tlačna spiralna vzmet 13		1				
010	326072-0	Nastavek za svetre		1				
011	422269-0	BUMPER		1				
012	458484-0	HAMMER CASE COVER		1				
013	140A51-8	HAMMER CASE COMPLETE		1				
014	261160-5	NYLON WASHER 30		1				
015	213118-0	O Tesnilo 12		2				
017	216001-0	Kovinska kroglica 3.5		2	*			

Model No.DTD171 CORDLESS IMPACT DRIVER

Položaj	Številka dela	Opis	Sprememba	Količina	New/Old	Opcijsko 1	Opcijsko 2	Opomba
017-1	216040-0	STEEL BALL 3.5	O	2				
018	136065-7	ANVIL ASS'Y		1				
D10		INC. 15						
019A	327114-3	HAMMER		1	*			
019B	327114-3	HAMMER		1	*			
019-1A	327750-5	HAMMER	O	1				
019-1B	327750-5	HAMMER	O	1				
019-1C	327750-5	HAMMER		1				
019-1D	327750-5	HAMMER		1				
020	216001-0	Kovinska kroglica 3.5		24	*			
020-1	216040-0	STEEL BALL 3.5	O	24				
021	267175-0	Ploska podložka 24		1				
022	232459-5	COMPRESSION SPRING 24B		1				
023	216011-7	Kovinska kroglica 5,6		2				
024	227338-0	SPUR GEAR 22		3				
025A	327113-5	SPINDLE		1	*			
025B	327113-5	SPINDLE		1	*			
025-1A	327751-3	SPINDLE	O	1				
025-1B	327751-3	SPINDLE	O	1				
025-1C	327751-3	SPINDLE		1				
025-1D	327751-3	SPINDLE		1				
026	268311-1	PIN 5		3				
027A	253314-8	Podložka 15		1	*			
027B	253314-8	Podložka 15		1	*			
027-1A	253445-3	FLAT WASHER 15	O	1				
027-1B	253445-3	FLAT WASHER 15	O	1				
027-1C	253445-3	FLAT WASHER 15		1				
027-1D	253445-3	FLAT WASHER 15		1				
028	226182-2	INTERNAL GEAR 51		1				
029	213507-9	O Tesnilo 40		1				
030A	143976-9	BEARING BOX COMPLETE		1				
030B	143976-9	BEARING BOX COMPLETE		1				
030D	143976-9	BEARING BOX COMPLETE		1				
030-1C	143976-9	BEARING BOX COMPLETE		1				
031	266490-9	TAPPING SCREW PT 2X6		3				
032A	620848-0	CONTROLLER		1	*			
032B	620848-0	CONTROLLER		1	*			
032-1A	620D48-6	CONTROLLER	O	1				
032-1B	620D48-6	CONTROLLER	O	1				
032-1C	620D48-6	CONTROLLER		1				
032-1D	620D48-6	CONTROLLER		1				
033	652069-6	FLAT HEAD SCREW M3X6		3				

Please order the parts with part number.

Print Date 6/9/2021

Model No.DTD171 CORDLESS IMPACT DRIVER

Položaj	Številka dela	Opis	Sprememba	Količina	New/Old	Opcijsko 1	Opcijsko 2	Opomba
034	629217-2	STATOR		1				
035A	619408-3	ROTOR		1				
035B	619408-3	ROTOR		1				
035D	619408-3	ROTOR		1				
035-1C	619408-3	ROTOR		1				
036A	458478-5	REAR COVER		1				
036B	458478-5	REAR COVER		1				
036C	458481-6	REAR COVER		1				
036D	458481-6	REAR COVER		1				
037	266130-9	Samovrezni vijak PT 3X16 6935FD		2				
038	620849-8	LED CIRCUIT		1				
039A	183K87-4	HOUSING SET		1	*			
C10	263005-3	Gumi zatič 6		2	*			
C20	252126-6	Šesterokotna matica M4-7 MT070		2	*			
D10		INC. 2			*			
039B	183K87-4	HOUSING SET		1	*			
C10	263005-3	Gumi zatič 6		2	*			
C20	252126-6	Šesterokotna matica M4-7 MT070		2	*			
D10		INC. 2			*			
039-1A	183N06-8	HOUSING SET	<	1				
C10	263005-3	Gumi zatič 6		2				
C20	252126-6	Šesterokotna matica M4-7 MT070		2				
D10		INC. 2						
039-1B	183N06-8	HOUSING SET	<	1				
C10	263005-3	Gumi zatič 6		2				
C20	252126-6	Šesterokotna matica M4-7 MT070		2				
D10		INC. 2						
039-1C	183N09-2	HOUSING SET		1				
C10	263005-3	Gumi zatič 6		2				
C20	252126-6	Šesterokotna matica M4-7 MT070		2				
D10		INC. 2						
039-1D	183N09-2	HOUSING SET		1				
C10	263005-3	Gumi zatič 6		2				
C20	252126-6	Šesterokotna matica M4-7 MT070		2				
D10		INC. 2						
040	140G40-9	SWITCH PLATE COMPLETE		1				
041	643860-3	Priklop za baterijo		1				
043	855E98-0	DTD171 NAME PLATE		1				
044	855F05-9	DTD171 SERIAL NO. LABEL		1				

Model No.DTD171 CORDLESS IMPACT DRIVER

Položaj	Številka dela	Opis	Sprememba	Količina	New/Old	Opcijsko 1	Opcijsko 2	Opomba
A01	266622-8	Vijak z nizko cilindrično M4X12		1				
A02	346317-0	Obešalni kavelj vijačnika		1				
A04B	450128-8	Pokrov za baterijo		1				
A04D	450128-8	Pokrov za baterijo		1				
A05B	***DC18RC	DC18RC FAST CHARGER		1				
A05D	***DC18RC	DC18RC FAST CHARGER		1				
A06B	197280-8	BATTERY BL1850B SET		2	*			
A06-1B	197280-8	BATTERY BL1850B SET	O	2				
A06-1D	197280-8	BATTERY BL1850B SET		2				
A07B	821550-0	Makpac kovček za prenašanje 395 x 295 x 157mm		1				
C10	453974-8	Plastična zaponka za MAKPAC plastične kovček		4				
A07D	821550-0	Makpac kovček za prenašanje 395 x 295 x 157mm		1				
C10	453974-8	Plastična zaponka za MAKPAC plastične kovček		4				
A08B	818S90-1	DTD171RTJ PLASTIC CASE LABEL		2				
A08D	8006Y3-3	DTD171TJAR PLASTIC CASE LABEL		2				
A09B	818S89-6	DTD171RTJ INDICATION LABEL		1				
A09D	8006Y2-5	DTD171TJAR INDICATION LABEL		1				
A10B	837670-0	Makpac type 2 inner layout - BTD129		1				
A10D	837670-0	Makpac type 2 inner layout - BTD129		1				

Please order the parts with part number.

Print Date 6/9/2021