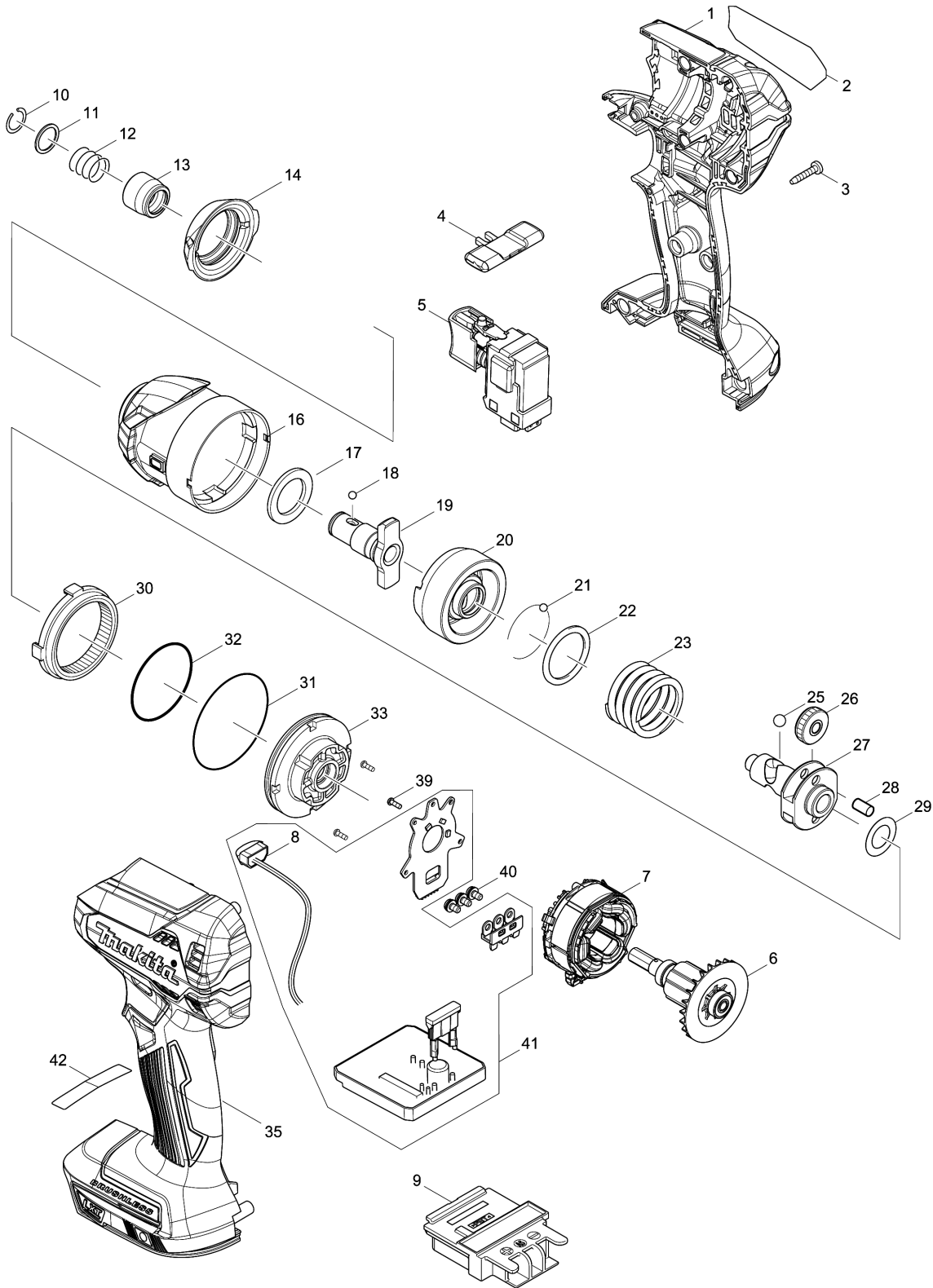


Model No.DTD153 CORDLESS IMPACT DRIVER





Model No.DTD153 CORDLESS IMPACT DRIVER

| Položaj | Številka dela | Opis                              | Sprememba | Količina | New/Old | Opcijsko 1 | Opcijsko 2 | Opomba |
|---------|---------------|-----------------------------------|-----------|----------|---------|------------|------------|--------|
| 001     | 183E35-7      | HOUSING SET                       |           | 1        |         |            |            |        |
| C10     | 263005-3      | Gumi zatič 6                      |           | 2        |         |            |            |        |
| C20     | 252126-6      | Šesterokotna matica M4-7<br>MT070 |           | 2        |         |            |            |        |
| D10     |               | INC. 35                           |           |          |         |            |            |        |
| 002     | 852K79-1      | DTD153 NAME PLATE                 |           | 1        | *       |            |            |        |
| 002-1   | 857L39-4      | DTD153 NAME PLATE                 | S         | 1        |         |            |            |        |
| 003     | 266429-2      | Samovrezni vijak 3x16             |           | 9        | *       |            |            |        |
| 003-1   | 266130-9      | TAPPING SCREW BIND PT<br>3X16     | O         | 9        |         |            |            |        |
| 004     | 455053-8      | F/R CHANGE LEVER                  |           | 1        |         |            |            |        |
| 005     | 143975-1      | SWITCH COMPLETE                   |           | 1        |         |            |            |        |
| 006     | 619404-1      | ROTOR                             |           | 1        | *       |            |            |        |
| 006-1   | 619404-1      | ROTOR                             | O         | 1        |         |            |            |        |
| 007     | 629224-5      | STATOR                            |           | 1        |         |            |            |        |
| 008     | 620557-1      | LED CIRCUIT                       |           | 1        |         |            |            |        |
| 009     | 643860-3      | Priklop za baterijo               |           | 1        |         |            |            |        |
| 010     | 231951-8      | Vzmetna podložka 11<br>6935FD     |           | 1        |         |            |            |        |
| 011     | 267085-1      | Ploska podložka 12                |           | 1        |         |            |            |        |
| 012     | 233005-7      | Tlačna spiralna vzmet 13          |           | 1        |         |            |            |        |
| 013     | 326072-0      | Nastavek za svedre                |           | 1        |         |            |            |        |
| 014     | 424888-8      | BUMPER                            |           | 1        |         |            |            |        |
| 016     | 143957-3      | HAMMER CASE COMPLETE              |           | 1        |         |            |            |        |
| 017     | 261151-6      | Najlon podložka 19                |           | 1        |         |            |            |        |
| 018     | 216040-0      | STEEL BALL 3.5                    |           | 2        |         |            |            |        |
| 019     | 326565-7      | ANVIL M                           |           | 1        |         |            |            |        |
| 020     | 326564-9      | HAMMER                            |           | 1        |         |            |            |        |
| 021     | 216040-0      | STEEL BALL 3.5                    |           | 24       |         |            |            |        |
| 022     | 267175-0      | Ploska podložka 24                |           | 1        |         |            |            |        |
| 023     | 234251-5      | Tlačna spiralna vzmet 24          |           | 1        |         |            |            |        |
| 025     | 216041-8      | STEEL BALL 5.6                    |           | 2        |         |            |            |        |
| 026     | 227362-3      | SPUR GEAR 22                      |           | 2        |         |            |            |        |
| 027     | 326562-3      | SPINDLE                           |           | 1        |         |            |            |        |
| 028     | 256253-1      | Zatič 5                           |           | 2        |         |            |            |        |
| 029     | 253314-8      | Podložka 15                       |           | 1        |         |            |            |        |
| 030     | 227378-8      | INTERNAL GEAR 51                  |           | 1        |         |            |            |        |
| 031     | 213606-7      | O tesnilo 48                      |           | 1        |         |            |            |        |
| 032     | 213507-9      | O Tesnilo 40                      |           | 1        |         |            |            |        |
| 033     | 143958-1      | BEARING BOX COMPLETE              |           | 1        |         |            |            |        |
| 035     | 183E35-7      | HOUSING SET                       |           | 1        |         |            |            |        |
| C10     | 263005-3      | Gumi zatič 6                      |           | 2        |         |            |            |        |
| C20     | 252126-6      | Šesterokotna matica M4-7<br>MT070 |           | 2        |         |            |            |        |

Model No.DTD153 CORDLESS IMPACT DRIVER

| Položaj | Številka dela | Opis                            | Sprememba | Količina | New/Old | Opcijsko 1 | Opcijsko 2 | Opomba |
|---------|---------------|---------------------------------|-----------|----------|---------|------------|------------|--------|
| D10     |               | INC. 1                          |           |          |         |            |            |        |
| 039     | 266490-9      | TAPPING SCREW PT 2X6            |           | 3        |         |            |            |        |
| 040     | 652069-6      | FLAT HEAD SCREW M3X6            |           | 3        |         |            |            |        |
| 041     | 620563-6      | CONTROLLER                      |           | 1        |         |            |            |        |
| D10     |               | INC. 8                          |           |          |         |            |            |        |
| 043     | 857L40-9      | DTD153 SERIAL NO. LABEL         | S         | 1        |         |            |            |        |
| A01     | 266622-8      | Vijak z nizko cilindrično M4X12 |           | 1        |         |            |            |        |
| A02     | 346317-0      | Obešalni kavelj vijačnika       |           | 1        |         |            |            |        |
| A03B    | 450128-8      | Pokrov za baterijo              |           | 1        |         |            |            |        |
| A03C    | 450128-8      | Pokrov za baterijo              |           | 1        |         |            |            |        |
| A04B    | ***DC18RC     | DC18RC FAST CHARGER             |           | 1        |         |            |            |        |
| D10     |               | COMPO-PARTS                     |           |          |         |            |            |        |
| A04C    | ***DC18RC     | DC18RC FAST CHARGER             |           | 1        |         |            |            |        |
| D10     |               | COMPO-PARTS                     |           |          |         |            |            |        |
| A05B    | 197600-6      | BATTERY BL1830B SET             |           | 2        | *       |            |            |        |
| A05C    | 197280-8      | BATTERY BL1850B SET             |           | 2        | *       |            |            |        |
| A05-1B  | 197600-6      | BATTERY BL1830B SET             | O         | 2        |         |            |            |        |
| A05-1C  | 197280-8      | BATTERY BL1850B SET             | O         | 2        |         |            |            |        |
| A06B    | 141856-3      | Plastični kovček kpl. DF456D    |           | 1        |         |            |            |        |
| C10     | 162302-3      | Zapiralo za HR2610              |           | 2        |         |            |            |        |
| A06C    | 141856-3      | Plastični kovček kpl. DF456D    |           | 1        |         |            |            |        |
| C10     | 162302-3      | Zapiralo za HR2610              |           | 2        |         |            |            |        |

Please order the parts with part number.

Print Date 23/11/2020