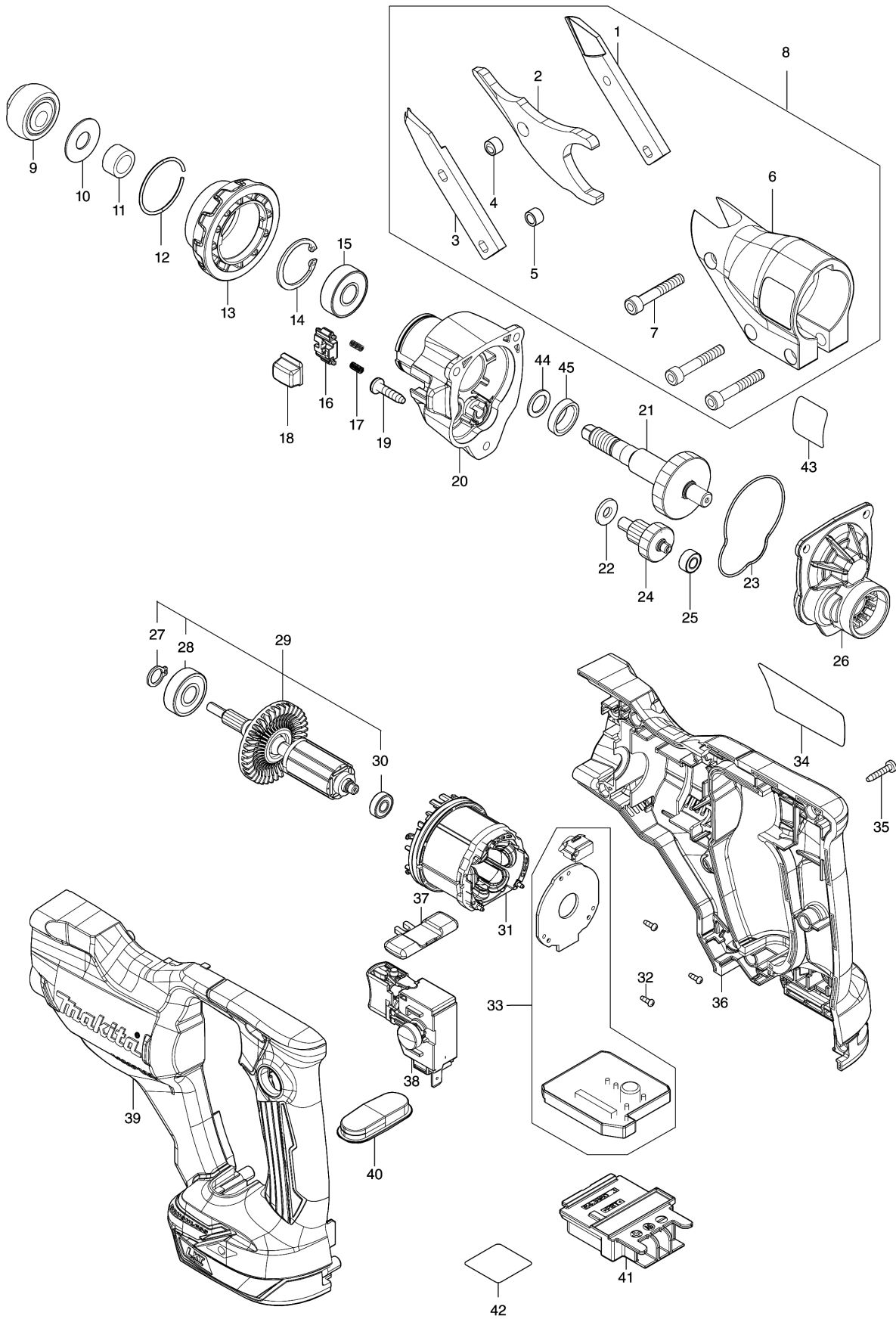


Model No.DJS200 2.0MM CORDLESS METAL SHEAR



Model No.DJS200 2.0MM CORDLESS METAL SHEAR

| Položaj | Številka dela | Opis | Sprememba | Količina | New/Old | Opcijsko 1 | Opcijsko 2 | Opomba |
|---------|---------------|------------------------------------|-----------|----------|---------|------------|------------|--------|
| 001-1 | 725092-5 | SIDE BLADE R | | 1 | | | | |
| 002 | 725255-3 | CENTER BLADE | | 1 | | | | |
| 003-1 | 725093-3 | SIDE BLADE L | | 1 | | | | |
| 004 | 327518-9 | PIVOT BUSH | | 1 | | | | |
| 005-1 | 257705-5 | SLEEVE 5 | | 1 | | | | |
| 006 | 140R34-0 | CUTTING HEAD COMPLETE | | 1 | | | | |
| 007 | 265A91-6 | 10-32X1 1/4" S.H CAP SCREW | | 3 | | | | |
| 008 | 127486-4 | SHEAR HEAD ASS'Y | | 1 | | | | |
| D10 | | INC. 1-7 | | | | | | |
| 009 | 127485-6 | BEARING ASS'Y | | 1 | | | | |
| 010 | 267223-5 | FLAT WASHER 10 | | 1 | | | | |
| 011 | 257428-5 | SLEEVE 10 | | 1 | | | | |
| 012 | 233929-7 | Vzmetna podložka 29 HR2450 | | 1 | | | | |
| 013 | 310995-2 | CHANGE RING | | 1 | | | | |
| 014 | 962105-3 | Zaščitni obroč R-26 GA4030 | | 1 | | | | |
| 015 | 210059-1 | Kroglični ležaj 6000DDW GA9050 | | 1 | | | | |
| 016 | 310993-6 | LEVER | | 1 | | | | |
| 017 | 232390-5 | COMPRESSION SPRING 2 | | 2 | | | | |
| 018 | 310994-4 | BUTTON | | 1 | | | | |
| 019 | 265A48-7 | TAPPING SCREW 4X18 | | 3 | | | | |
| 020 | 140R40-5 | GEAR HOUSING COMPLETE | | 1 | | | | |
| 021 | 140R42-1 | GEAR COMPLETE | | 1 | | | | |
| 022 | 267100-1 | Ploska podložka 6 | | 1 | | | | |
| 023 | 424928-2 | SEAL RING | | 1 | | | | |
| 024 | 221478-6 | GEAR COMPLETE 9-23 | | 1 | | | | |
| 025 | 210003-8 | BALLBEARING 685ZZ | | 1 | | | | |
| 026 | 140R41-3 | GEAR HOUSING COVER COMPLETE | | 1 | | | | |
| 027 | 961005-4 | Zaščitni obroč S-9 | | 1 | | | | |
| 028-1 | 211491-2 | BALL BEARING 609DDW UB1103 | | 1 | | | | |
| 029 | 519424-4 | ROTOR ASS'Y | | 1 | | | | |
| D10 | | INC. 27,28,30 | | | | | | |
| 030 | 210039-7 | BALL BEARING 695DDW | | 1 | | | | |
| 031 | 629487-3 | STATOR | | 1 | | | | |
| 032 | 266490-9 | TAPPING SCREW PT 2X6 | | 3 | | | | |
| 033 | 620B89-0 | CONTROLLER | | 1 | | | | |
| 034 | 857A78-8 | DJS200 NAME PLATE | | 1 | | | | |
| 035 | 266130-9 | Samovrezni vijak PT 3X16 6935FD | | 8 | | | | |
| 036 | 183P52-3 | HOUSING SET | | 1 | | | | |
| C10 | 263005-3 | Gumi zatič 6 | | 2 | | | | |

Model No.DJS200 2.0MM CORDLESS METAL SHEAR

| Položaj | Številka dela | Opis | Sprememba | Količina | New/Old | Opcijsko 1 | Opcijsko 2 | Opomba |
|---------|---------------|------------------------------------|-----------|----------|---------|------------|------------|--------|
| C20 | 252126-6 | Šesterokotna matica M4-7 MT070 | | 2 | | | | |
| D10 | | INC. 39 | | | | | | |
| 037 | 412330-1 | CHANGE LEVER | | 1 | | | | |
| 038 | 651088-9 | SWITCH C3JW-4B-1L | | 1 | | | | |
| 039 | 183P52-3 | HOUSING SET | | 1 | | | | |
| C10 | 263005-3 | Gumi zatič 6 | | 2 | | | | |
| C20 | 252126-6 | Šesterokotna matica M4-7 MT070 | | 2 | | | | |
| D10 | | INC. 36 | | | | | | |
| 040 | 412332-7 | SWITCH PLATE | | 1 | | | | |
| 041 | 643860-3 | Priklop za baterijo | | 1 | | | | |
| 042 | 857A82-7 | DJS200 SERIAL NO.LABEL | | 1 | | | | |
| 043 | 8012T3-7 | INDICATION LABEL | | 1 | | | | |
| 044 | 267047-9 | Ploska podložka 10 | | 1 | | | | |
| 045 | 257852-2 | RING 10 | | 1 | | | | |
| A01 | 266622-8 | Vijak z nizko cilindrično M4X12 | | 1 | | | | |
| A02 | 346317-0 | Obešalni kavelj vijačnika | | 1 | | | | |
| A03 | 783215-1 | HEX. WRENCH 5/32" | | 1 | | | | |

Please order the parts with part number.

Print Date 28/10/2021