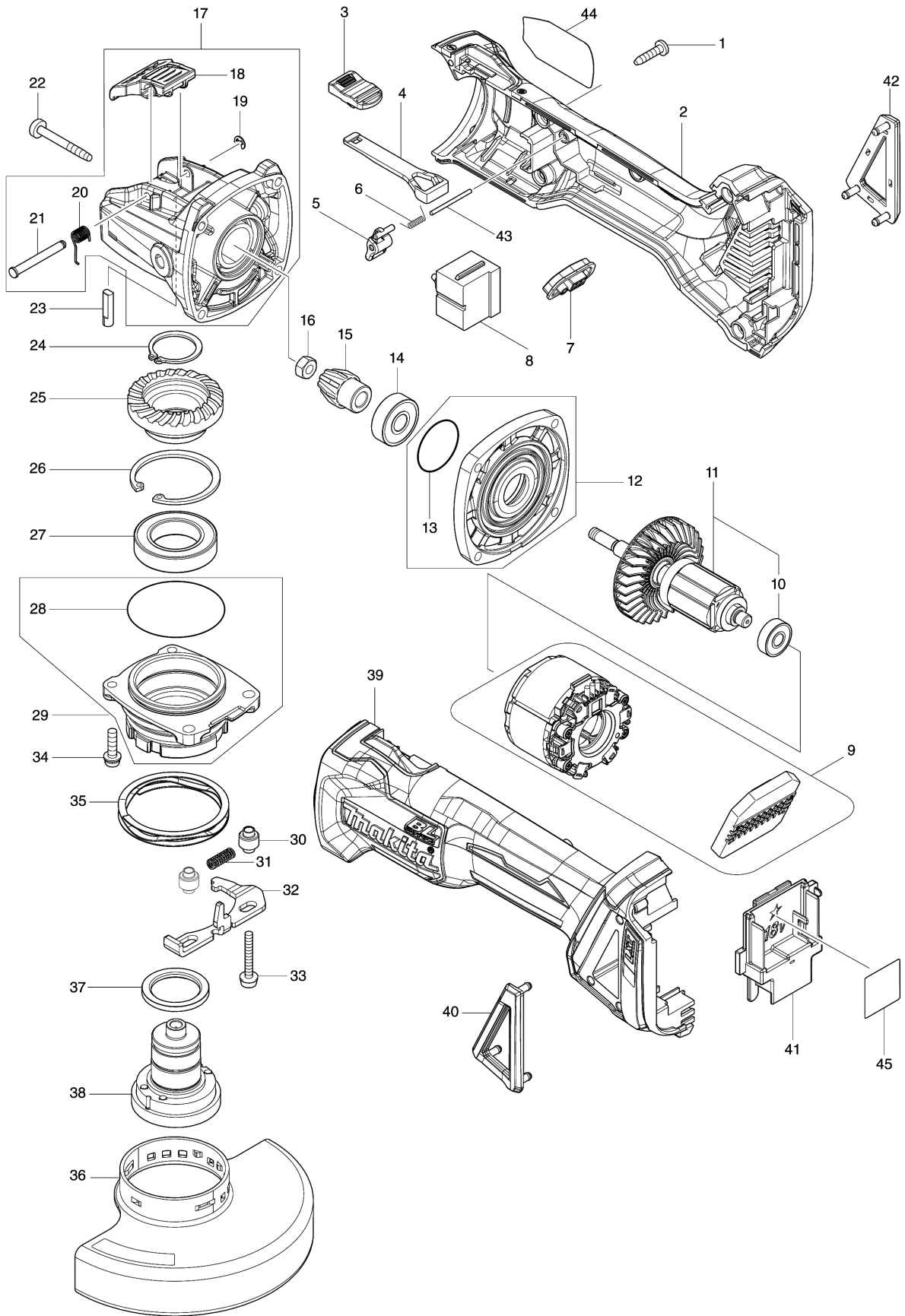


Model No.DGA521 125MM CORDLESS ANGLE GRINDER



Model No.DGA521 125MM CORDLESS ANGLE GRINDER

Položaj	Številka dela	Opis	Sprememba	Količina	New/Old	Opcijsko 1	Opcijsko 2	Opomba
001	265B67-9	TAPPING SCREW 4X18		5				
002	187997-1	MOTOR HOUSING SET		1				
C10	263005-3	RUBBER PIN 6		2				
D10		INC. 39						
003	455447-7	SWITCH KNOB		1				
004	455446-9	SWITCH LEVER		1				
005	455448-5	LEVER		1				
006	231679-8	TORSION SPRING 2		1				
007	142901-7	INDICATOR PANEL COMPLETE		1				
008	650579-7	SWITCH 1246.3223		1				
009	629173-6	STATOR COMPLETE		1				
010	210169-4	BALL BEARING 607LLB		1				
011	510440-9	ROTOR ASS'Y		1				
D10		INC. 10						
012	136170-0	GEAR HOUSING COVER ASS'Y		1				
D10		INC. 13						
013	213407-3	O RING 26		1				
014	210042-8	BALL BEARING 629LLB		1				
015	226950-3	SPIRAL BEVEL GEAR 10		1				
016	252186-8	HEX. NUT M6		1				
017	136209-9	GEAR HOUSING ASS'Y		1				
D10		INC. 18-21						
018	459967-3	LEVER		1				
019	961017-7	STOP RING E-3		1				
020	232576-1	TORSION SPRING 5		1				
021	256935-5	HEADED PIN 4		1				
022	265B70-0	TAPPING SCREW 4X30		4				
023	327460-4	SHAFT		1				
024	961104-2	RETAINING RING S-24		1				
025	226951-1	SPIRAL BEVEL GEAR 37		1				
026	962201-7	RETAINING RING (INT) R-42		1				
027	210208-0	BALL BEARING 6905DDW		1				
028	213622-9	O RING 45		1				
029	136199-6	BEARING BOX ASS'Y		1				
D10		INC. 28						
030	327322-6	SLEEVE 4		2				
031	232490-1	COMPRESSION SPRING 4		1				
032	347615-5	LEVER		1				
033	911159-7	PAN HEAD SCREW M4X30		2				
034	911138-5	P.H.SCREW M4X20 WITH WR		2				
035	232577-9	SCROW WAVE SPRING 49		1				

Please order the parts with part number.

Print Date 29/10/2021

Model No.DGA521 125MM CORDLESS ANGLE GRINDER

Položaj	Številka dela	Opis	Sprememba	Količina	New/Old	Opcijsko 1	Opcijsko 2	Opomba
036	347618-9	WHEEL COVER 125		1				
037	327459-9	RING 25		1				
038	127428-8	SPINDLE ASSEMBLY		1				
039	187997-1	MOTOR HOUSING SET		1				
C10	263005-3	RUBBER PIN 6		2				
D10		INC. 2						
040	455449-3	DUST COVER L		1				
041	643874-2	TERMINAL		1				
042	455450-8	DUST COVER R		1				
043	268330-7	PIN 2		1				
044	811Y73-6	DGA521 NAME PLATE		1				
045	811Y74-4	DGA521 SERIAL NO. LABEL		1				
A02	158237-4	GRIP 36 COMPLETE		1				

Please order the parts with part number.

Print Date 29/10/2021