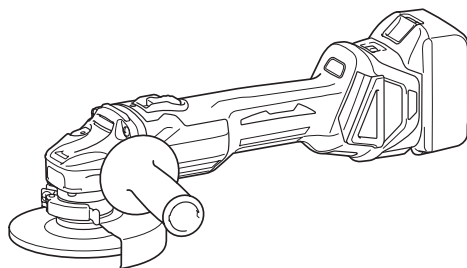
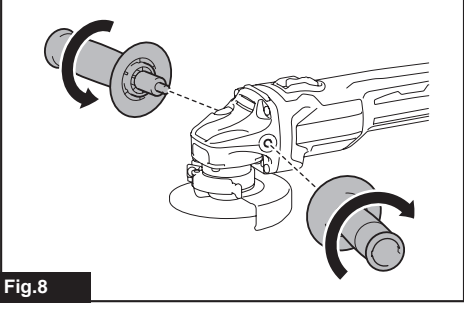
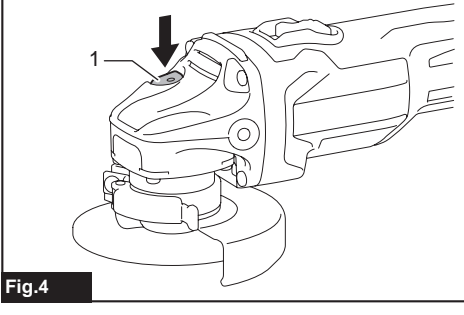
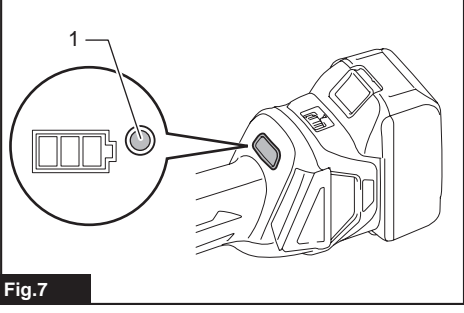
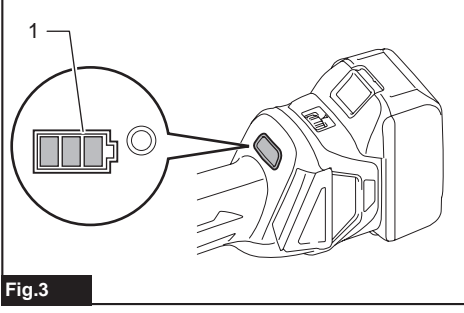
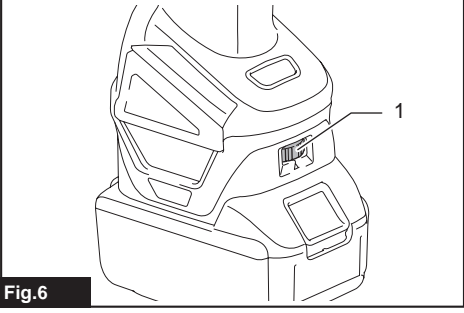
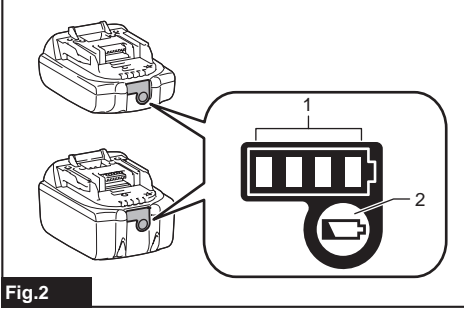
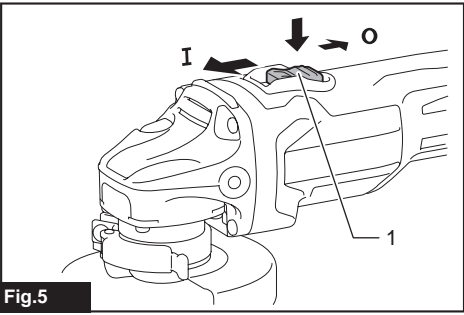
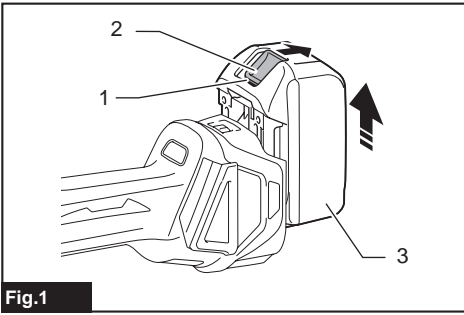


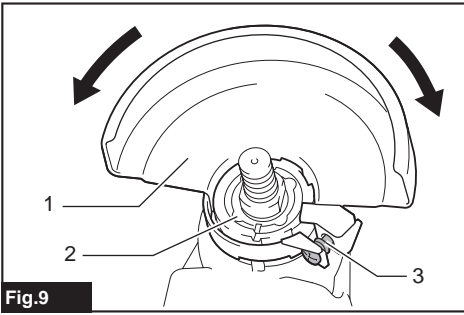


EN	Cordless Angle Grinder	INSTRUCTION MANUAL	8
SL	Brezžični kotni brusilnik	NAVODILA ZA UPORABO	25
SQ	Rektifikuesi me kënd me bateri	MANUALI I PËRDORIMIT	42
BG	Акумулаторен ъглошлайф	РЪКОВОДСТВО ЗА ЕКСПЛОАТАЦИЯ	59
HR	Bežična kutna brusilica	PRIRUČNIK S UPUTAMA	78
MK	Безжична брусилка за агли	УПАТСТВО ЗА УПОТРЕБА	95
SR	Бежична угаона брусилца	УПУТСТВО ЗА УПОТРЕБУ	114
RO	Polizor unghiular cu acumulator	MANUAL DE INSTRUCȚIUNI	132
UK	Бездротова кутова шліфувальна машина	ІНСТРУКЦІЯ З ЕКСПЛУАТАЦІЇ	150
RU	Аккумуляторная угловая шлифмашина	РУКОВОДСТВО ПО ЭКСПЛУАТАЦИИ	169

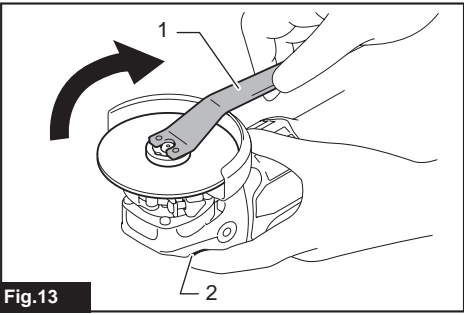
**DGA411, DGA412,  
DGA413, DGA414  
DGA461, DGA462,  
DGA463, DGA464  
DGA511, DGA512,  
DGA513, DGA514**



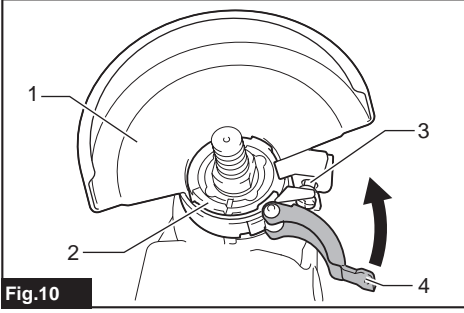




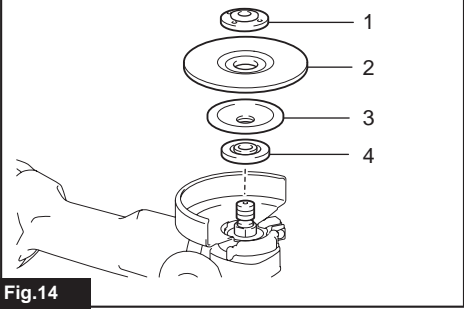
**Fig.9**



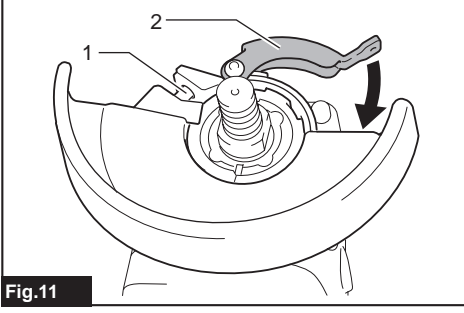
**Fig.13**



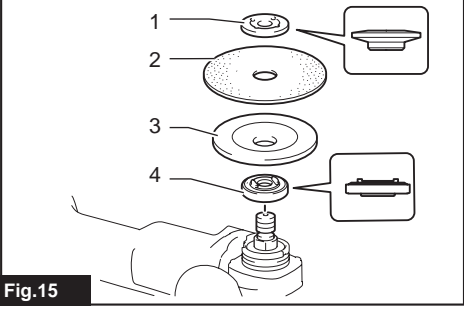
**Fig.10**



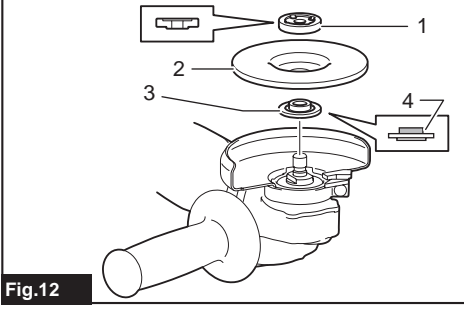
**Fig.14**



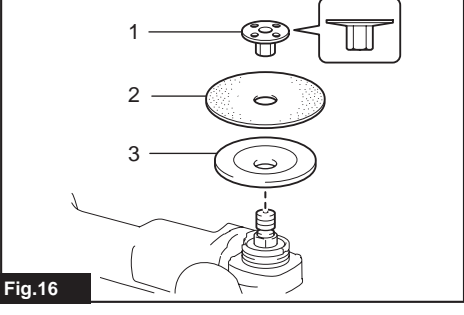
**Fig.11**



**Fig.15**



**Fig.12**



**Fig.16**

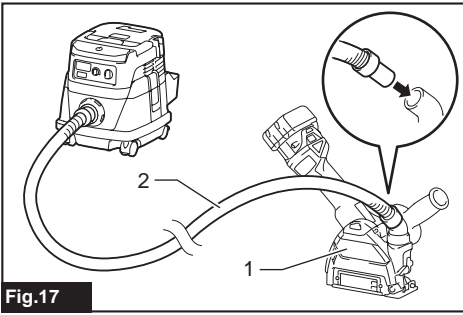


Fig.17

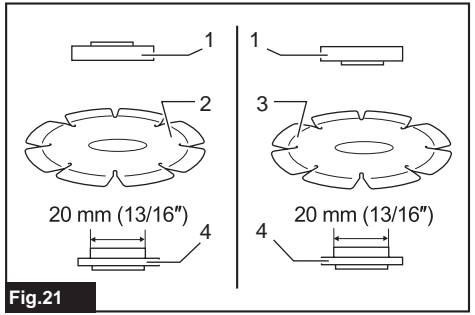


Fig.21

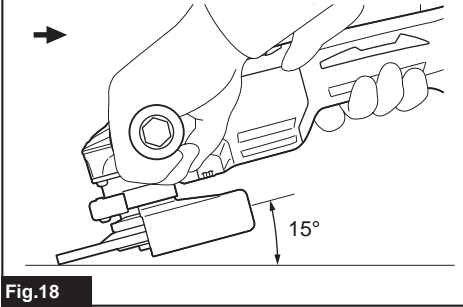


Fig.18

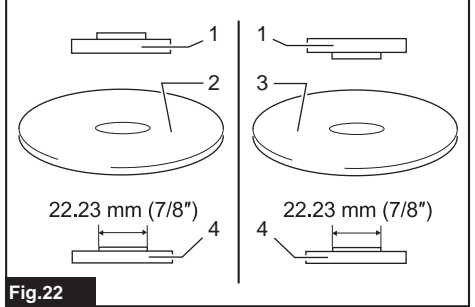


Fig.22

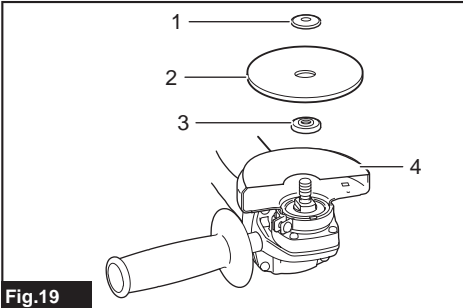


Fig.19

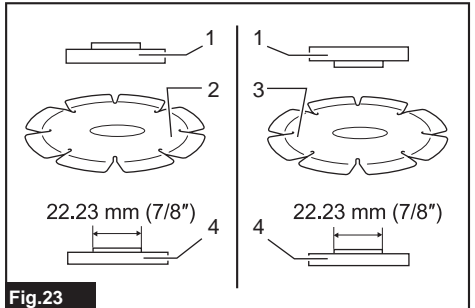


Fig.23

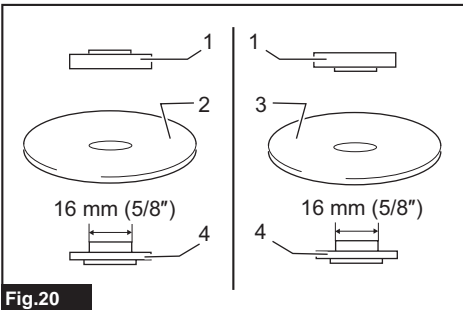


Fig.20

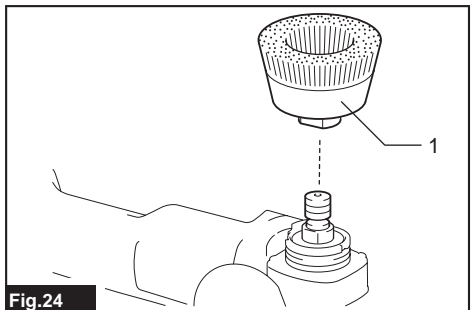


Fig.24

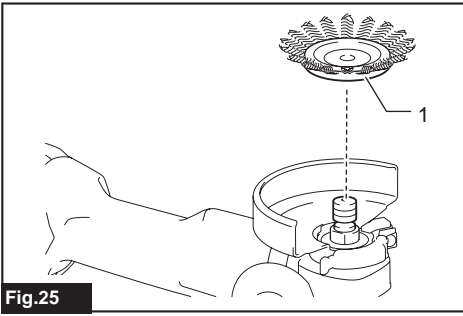


Fig.25

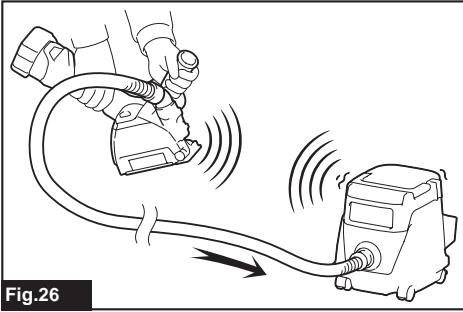


Fig.26

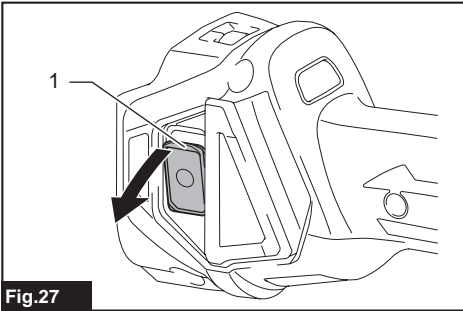


Fig.27

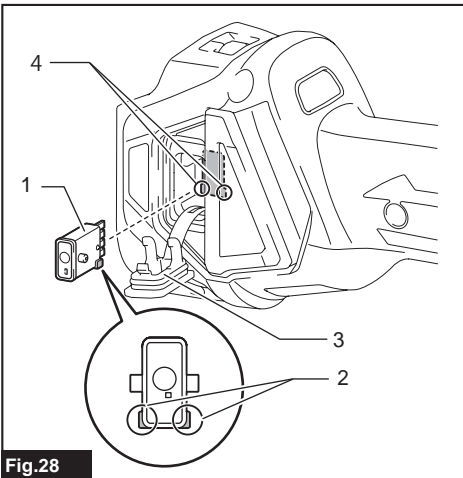


Fig.28

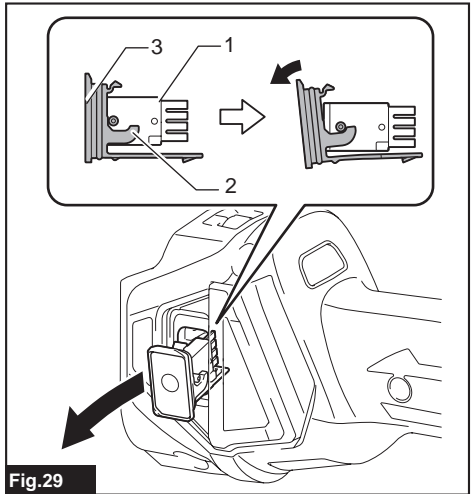


Fig.29

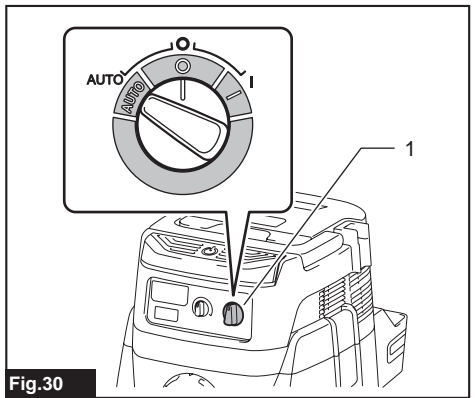


Fig.30

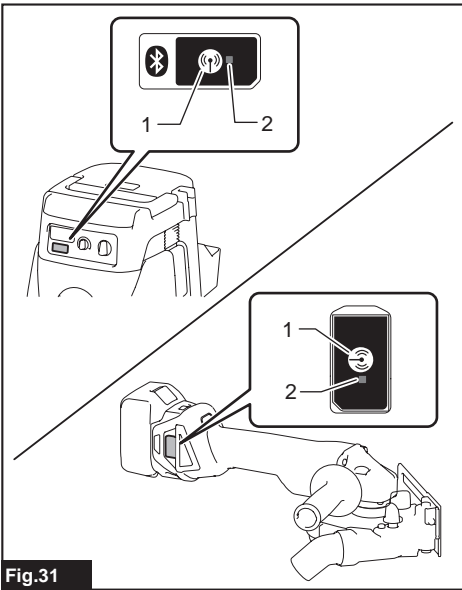


Fig.31

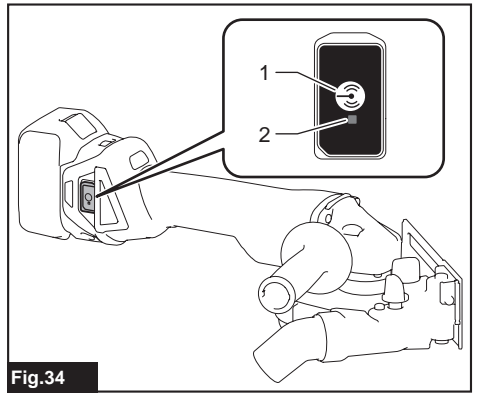


Fig.34

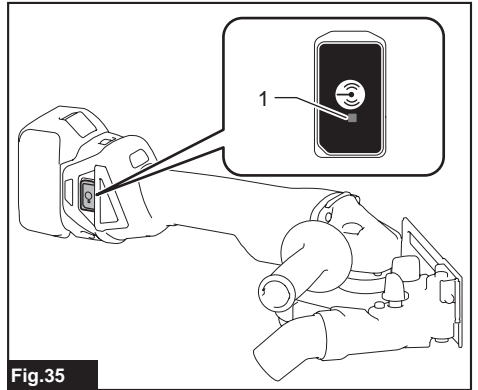


Fig.35

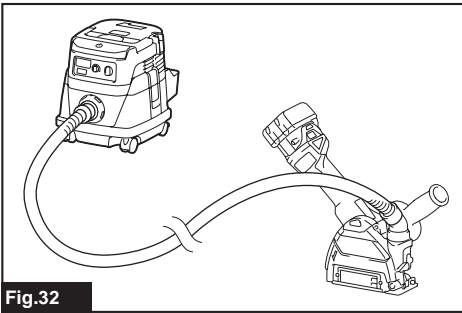


Fig.32

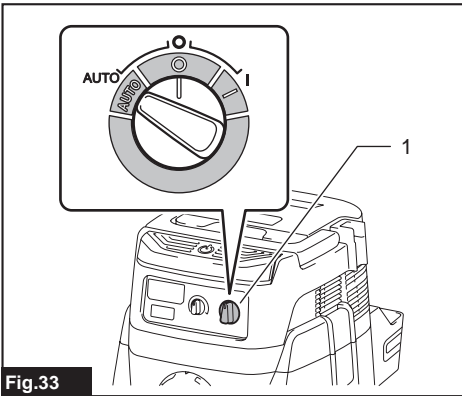


Fig.33

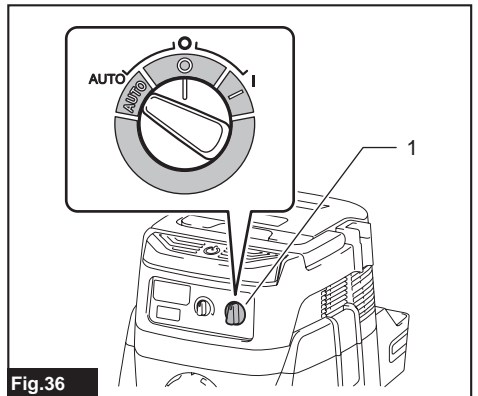


Fig.36

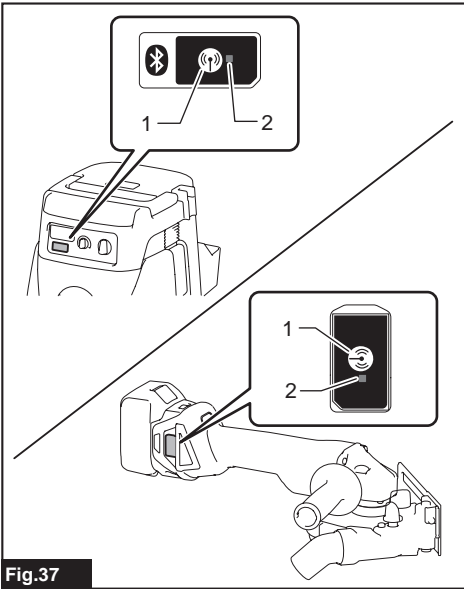


Fig.37

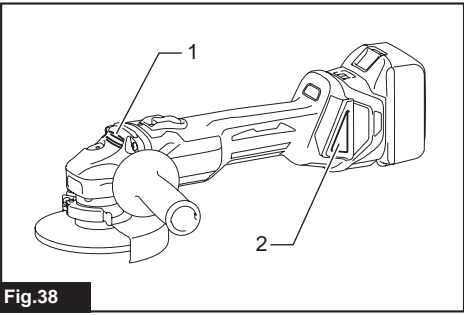


Fig.38

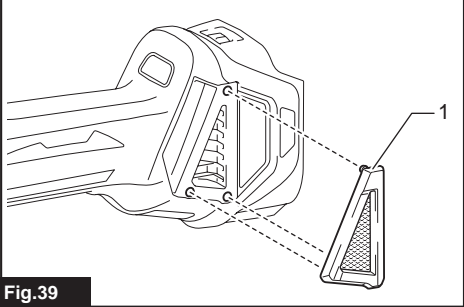


Fig.39

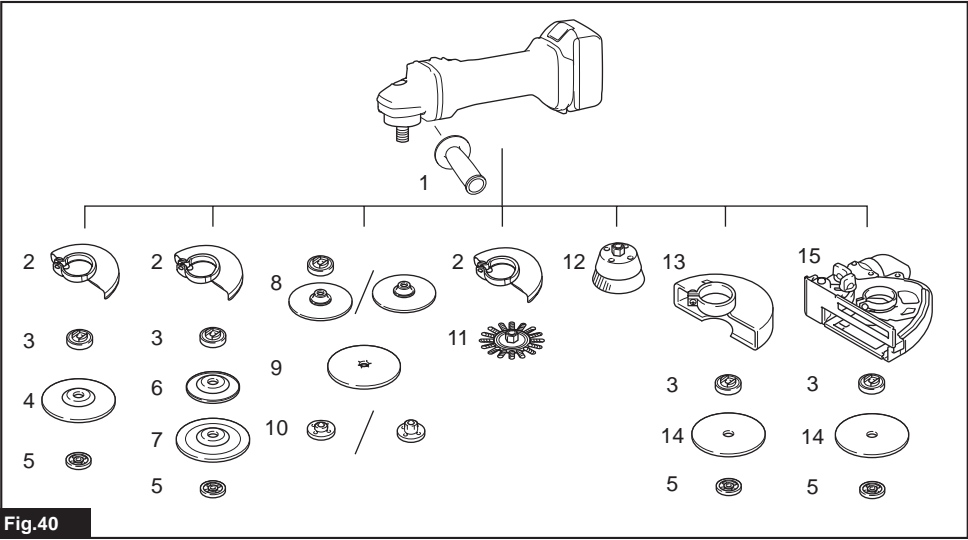


Fig.40

## SPECIFICATIONS

Model:	DGA411	DGA412	DGA413	DGA414
Wheel diameter	100 mm (4")			
Max. wheel thickness	6.4 mm			
Spindle thread	M10			
Rated speed (n)	8,500 min <sup>-1</sup>			
Overall length	382 mm			
Rated voltage	D.C. 18 V			
Net weight	2.2 - 2.8 kg			
Electric brake	-		✓	
Wireless activation function	-	✓	-	✓

Model:	DGA461	DGA462	DGA463	DGA464
Wheel diameter	115 mm (4-1/2")			
Max. wheel thickness	7.2 mm			
Spindle thread	M14 or 5/8" (country specific)			
Rated speed (n)	8,500 min <sup>-1</sup>			
Overall length	382 mm			
Rated voltage	D.C. 18 V			
Net weight	2.3 - 3.0 kg			
Electric brake	-		✓	
Wireless activation function	-	✓	-	✓

Model:	DGA511	DGA512	DGA513	DGA514
Wheel diameter	125 mm (5")			
Max. wheel thickness	7.2 mm			
Spindle thread	M14 or 5/8" (country specific)			
Rated speed (n)	8,500 min <sup>-1</sup>			
Overall length	382 mm			
Rated voltage	D.C. 18 V			
Net weight	2.3 - 3.0 kg		2.4 - 3.0 kg	
Electric brake	-		✓	
Wireless activation function	-	✓	-	✓

- Due to our continuing program of research and development, the specifications herein are subject to change without notice.
- Specifications may differ from country to country.
- The weight may differ depending on the attachment(s), including the battery cartridge. The lightest and heaviest combination, according to EPTA-Procedure 01/2014, are shown in the table.

### Applicable battery cartridge

BL1815N / BL1820 / BL1820B / BL1830 / BL1830B / BL1840 / BL1840B / BL1850 / BL1850B / BL1860B

- Some of the battery cartridges listed above may not be available depending on your region of residence.

**⚠ WARNING: Only use the battery cartridges listed above.** Use of any other battery cartridges may cause injury and/or fire.

### Intended use

The tool is intended for grinding, sanding and cutting of metal and stone materials without the use of water.



## Noise

The typical A-weighted noise level determined according to EN60745:

Model	Sound pressure level ( $L_{pA}$ ) : (dB(A))	Sound power level ( $L_{WA}$ ) : (dB(A))	Uncertainty (K) : (dB(A))
DGA411	80	-	3
DGA412	80	-	3
DGA413	80	-	3
DGA414	80	-	3
DGA461	79	-	3
DGA462	79	-	3
DGA463	79	-	3
DGA464	79	-	3
DGA511	79	-	3
DGA512	79	-	3
DGA513	79	-	3
DGA514	79	-	3

The noise level under working may exceed 80 dB (A).

**⚠ WARNING: Wear ear protection.**

## Vibration

The vibration total value (tri-axial vector sum) determined according to EN60745:

**Work mode: surface grinding with normal side grip**

Model	Vibration emission ( $a_{hv, AG}$ ) : ( $m/s^2$ )	Uncertainty (K) : ( $m/s^2$ )
DGA411	4.5	1.5
DGA412	4.5	1.5
DGA413	4.5	1.5
DGA414	4.5	1.5
DGA461	6.5	1.5
DGA462	6.5	1.5
DGA463	6.5	1.5
DGA464	6.5	1.5
DGA511	6.5	1.5
DGA512	6.5	1.5
DGA513	6.5	1.5
DGA514	6.5	1.5

**Work mode: surface grinding with anti vibration side grip**

Model	Vibration emission ( $a_{h, AG}$ ) : ( $m/s^2$ )	Uncertainty (K) : ( $m/s^2$ )
DGA411	4.0	1.5
DGA412	4.0	1.5
DGA413	4.0	1.5
DGA414	4.0	1.5
DGA461	6.0	1.5
DGA462	6.0	1.5
DGA463	6.0	1.5
DGA464	6.0	1.5
DGA511	6.0	1.5
DGA512	6.0	1.5
DGA513	6.0	1.5
DGA514	6.0	1.5

**Work mode: disc sanding with normal side grip**

Model	Vibration emission ( $a_{h, DS}$ ) : ( $m/s^2$ )	Uncertainty (K) : ( $m/s^2$ )
DGA411	2.5 $m/s^2$ or less	1.5
DGA412	2.5 $m/s^2$ or less	1.5
DGA413	2.5 $m/s^2$ or less	1.5
DGA414	2.5 $m/s^2$ or less	1.5
DGA461	2.5 $m/s^2$ or less	1.5
DGA462	2.5 $m/s^2$ or less	1.5
DGA463	2.5 $m/s^2$ or less	1.5
DGA464	2.5 $m/s^2$ or less	1.5
DGA511	2.5 $m/s^2$ or less	1.5
DGA512	2.5 $m/s^2$ or less	1.5
DGA513	2.5 $m/s^2$ or less	1.5
DGA514	2.5 $m/s^2$ or less	1.5

**Work mode: disc sanding with anti vibration side grip**

Model	Vibration emission ( $a_{h, DS}$ ) : ( $m/s^2$ )	Uncertainty (K) : ( $m/s^2$ )
DGA411	2.5 $m/s^2$ or less	1.5
DGA412	2.5 $m/s^2$ or less	1.5
DGA413	2.5 $m/s^2$ or less	1.5
DGA414	2.5 $m/s^2$ or less	1.5
DGA461	2.5 $m/s^2$ or less	1.5
DGA462	2.5 $m/s^2$ or less	1.5
DGA463	2.5 $m/s^2$ or less	1.5
DGA464	2.5 $m/s^2$ or less	1.5
DGA511	2.5 $m/s^2$ or less	1.5
DGA512	2.5 $m/s^2$ or less	1.5
DGA513	2.5 $m/s^2$ or less	1.5
DGA514	2.5 $m/s^2$ or less	1.5

**NOTE:** The declared vibration emission value has been measured in accordance with the standard test method and may be used for comparing one tool with another.

**NOTE:** The declared vibration emission value may also be used in a preliminary assessment of exposure.

**⚠ WARNING:** The vibration emission during actual use of the power tool can differ from the declared emission value depending on the ways in which the tool is used.

**⚠ WARNING:** Be sure to identify safety measures to protect the operator that are based on an estimation of exposure in the actual conditions of use (taking account of all parts of the operating cycle such as the times when the tool is switched off and when it is running idle in addition to the trigger time).

**⚠ WARNING:** The declared vibration emission value is used for main applications of the power tool. However if the power tool is used for other applications, the vibration emission value may be different.

## EC Declaration of Conformity

### For European countries only

The EC declaration of conformity is included as Annex A to this instruction manual.

# SAFETY WARNINGS

## General power tool safety warnings

**⚠ WARNING:** Read all safety warnings, instructions, illustrations and specifications provided with this power tool. Failure to follow all instructions listed below may result in electric shock, fire and/or serious injury.

## Save all warnings and instructions for future reference.

The term "power tool" in the warnings refers to your mains-operated (corded) power tool or battery-operated (cordless) power tool.

## Cordless grinder safety warnings

### Safety Warnings Common for Grinding, Sanding, Wire Brushing, or Abrasive Cutting-Off Operations:

- 1. This power tool is intended to function as a grinder, sander, wire brush or cut-off tool. Read all safety warnings, instructions, illustrations and specifications provided with this power tool.** Failure to follow all instructions listed below may result in electric shock, fire and/or serious injury.
- 2. Operations such as polishing are not recommended to be performed with this power tool.** Operations for which the power tool was not designed may create a hazard and cause personal injury.
- 3. Do not use accessories which are not specifically designed and recommended by the tool manufacturer.** Just because the accessory can be attached to your power tool, it does not assure safe operation.
- 4. The rated speed of the accessory must be at least equal to the maximum speed marked on the power tool.** Accessories running faster than their rated speed can break and fly apart.
- 5. The outside diameter and the thickness of your accessory must be within the capacity rating of your power tool.** Incorrectly sized accessories cannot be adequately guarded or controlled.
- 6. Threaded mounting of accessories must match the grinder spindle thread. For accessories mounted by flanges, the arbour hole of the accessory must fit the locating diameter of the flange.** Accessories that do not match the mounting hardware of the power tool will run out of balance, vibrate excessively and may cause loss of control.
- 7. Do not use a damaged accessory. Before each use inspect the accessory such as abrasive wheels for chips and cracks, backing pad for cracks, tear or excess wear, wire brush for loose or cracked wires. If power tool or accessory is dropped, inspect for damage or install an undamaged accessory. After inspecting and installing an accessory, position yourself and bystanders away from the plane of the rotating accessory and run the power tool at maximum no-load speed for one minute.** Damaged accessories will normally break apart during this test time.
- 8. Wear personal protective equipment. Depending on application, use face shield, safety goggles or safety glasses. As appropriate, wear dust mask, hearing protectors, gloves and workshop apron capable of stopping small abrasive or workpiece fragments.** The eye protection must be capable of stopping flying debris generated by various operations. The dust mask or respirator must be capable of filtering particles generated by your operation. Prolonged exposure to high intensity noise may cause hearing loss.
- 9. Keep bystanders a safe distance away from work area. Anyone entering the work area must wear personal protective equipment.** Fragments of workpiece or of a broken accessory may fly away and cause injury beyond immediate area of operation.
- 10. Hold the power tool by insulated gripping surfaces only, when performing an operation where the cutting tool may contact hidden wiring.** Contact with a "live" wire will also make exposed metal parts of the power tool "live" and could give the operator an electric shock.
- 11. Never lay the power tool down until the accessory has come to a complete stop.** The spinning accessory may grab the surface and pull the power tool out of your control.
- 12. Do not run the power tool while carrying it at your side.** Accidental contact with the spinning accessory could snag your clothing, pulling the accessory into your body.
- 13. Regularly clean the power tool's air vents.** The motor's fan will draw the dust inside the housing and excessive accumulation of powdered metal may cause electrical hazards.

14. **Do not operate the power tool near flammable materials.** Sparks could ignite these materials.
15. **Do not use accessories that require liquid coolants.** Using water or other liquid coolants may result in electrocution or shock.

#### **Kickback and Related Warnings**

Kickback is a sudden reaction to a pinched or snagged rotating wheel, backing pad, brush or any other accessory. Pinching or snagging causes rapid stalling of the rotating accessory which in turn causes the uncontrolled power tool to be forced in the direction opposite of the accessory's rotation at the point of the binding. For example, if an abrasive wheel is snagged or pinched by the workpiece, the edge of the wheel that is entering into the pinch point can dig into the surface of the material causing the wheel to climb out or kick out. The wheel may either jump toward or away from the operator, depending on direction of the wheel's movement at the point of pinching. Abrasive wheels may also break under these conditions.

Kickback is the result of power tool misuse and/or incorrect operating procedures or conditions and can be avoided by taking proper precautions as given below.

1. **Maintain a firm grip on the power tool and position your body and arm to allow you to resist kickback forces. Always use auxiliary handle, if provided, for maximum control over kickback or torque reaction during start-up.** The operator can control torque reactions or kickback forces, if proper precautions are taken.
2. **Never place your hand near the rotating accessory.** Accessory may kickback over your hand.
3. **Do not position your body in the area where power tool will move if kickback occurs.** Kickback will propel the tool in direction opposite to the wheel's movement at the point of snagging.
4. **Use special care when working corners, sharp edges etc. Avoid bouncing and snagging the accessory.** Corners, sharp edges or bouncing have a tendency to snag the rotating accessory and cause loss of control or kickback.
5. **Do not attach a saw chain woodcarving blade or toothed saw blade.** Such blades create frequent kickback and loss of control.

#### **Safety Warnings Specific for Grinding and Abrasive Cutting-Off Operations:**

1. **Use only wheel types that are recommended for your power tool and the specific guard designed for the selected wheel.** Wheels for which the power tool was not designed cannot be adequately guarded and are unsafe.
2. **The grinding surface of centre depressed wheels must be mounted below the plane of the guard lip.** An improperly mounted wheel that projects through the plane of the guard lip cannot be adequately protected.
3. **The guard must be securely attached to the power tool and positioned for maximum safety, so the least amount of wheel is exposed towards the operator.** The guard helps to protect the operator from broken wheel fragments, accidental contact with wheel and sparks that could ignite clothing.

4. **Wheels must be used only for recommended applications. For example: do not grind with the side of cut-off wheel.** Abrasive cut-off wheels are intended for peripheral grinding, side forces applied to these wheels may cause them to shatter.
5. **Always use undamaged wheel flanges that are of correct size and shape for your selected wheel.** Proper wheel flanges support the wheel thus reducing the possibility of wheel breakage. Flanges for cut-off wheels may be different from grinding wheel flanges.
6. **Do not use worn down wheels from larger power tools.** Wheel intended for larger power tool is not suitable for the higher speed of a smaller tool and may burst.

#### **Additional Safety Warnings Specific for Abrasive Cutting-Off Operations:**

1. **Do not "jam" the cut-off wheel or apply excessive pressure. Do not attempt to make an excessive depth of cut.** Overstressing the wheel increases the loading and susceptibility to twisting or binding of the wheel in the cut and the possibility of kickback or wheel breakage.
2. **Do not position your body in line with and behind the rotating wheel.** When the wheel, at the point of operation, is moving away from your body, the possible kickback may propel the spinning wheel and the power tool directly at you.
3. **When wheel is binding or when interrupting a cut for any reason, switch off the power tool and hold the power tool motionless until the wheel comes to a complete stop. Never attempt to remove the cut-off wheel from the cut while the wheel is in motion otherwise kickback may occur.** Investigate and take corrective action to eliminate the cause of wheel binding.
4. **Do not restart the cutting operation in the workpiece. Let the wheel reach full speed and carefully re-enter the cut.** The wheel may bind, walk up or kickback if the power tool is restarted in the workpiece.
5. **Support panels or any oversized workpiece to minimize the risk of wheel pinching and kickback.** Large workpieces tend to sag under their own weight. Supports must be placed under the workpiece near the line of cut and near the edge of the workpiece on both sides of the wheel.
6. **Use extra caution when making a "pocket cut" into existing walls or other blind areas.** The protruding wheel may cut gas or water pipes, electrical wiring or objects that can cause kickback.

#### **Safety Warnings Specific for Sanding Operations:**

1. **Do not use excessively oversized sanding disc paper. Follow manufacturers recommendations, when selecting sanding paper.** Larger sanding paper extending beyond the sanding pad presents a laceration hazard and may cause snagging, tearing of the disc or kickback.

#### **Safety Warnings Specific for Wire Brushing Operations:**

1. **Be aware that wire bristles are thrown by the brush even during ordinary operation. Do not overstress the wires by applying excessive load to the brush.** The wire bristles can easily penetrate light clothing and/or skin.

2. If the use of a guard is recommended for wire brushing, do not allow any interference of the wire wheel or brush with the guard. Wire wheel or brush may expand in diameter due to work load and centrifugal forces.

#### Additional Safety Warnings:

1. When using depressed centre grinding wheels, be sure to use only fiberglass-reinforced wheels.
2. NEVER USE Stone Cup type wheels with this grinder. This grinder is not designed for these types of wheels and the use of such a product may result in serious personal injury.
3. Be careful not to damage the spindle, the flange (especially the installing surface) or the lock nut. Damage to these parts could result in wheel breakage.
4. Make sure the wheel is not contacting the workpiece before the switch is turned on.
5. Before using the tool on an actual workpiece, let it run for a while. Watch for vibration or wobbling that could indicate poor installation or a poorly balanced wheel.
6. Use the specified surface of the wheel to perform the grinding.
7. Do not leave the tool running. Operate the tool only when hand-held.
8. Do not touch the workpiece immediately after operation; it may be extremely hot and could burn your skin.
9. Observe the instructions of the manufacturer for correct mounting and use of wheels. Handle and store wheels with care.
10. Do not use separate reducing bushings or adaptors to adapt large hole abrasive wheels.
11. Use only flanges specified for this tool.
12. For tools intended to be fitted with threaded hole wheel, ensure that the thread in the wheel is long enough to accept the spindle length.
13. Check that the workpiece is properly supported.
14. Pay attention that the wheel continues to rotate after the tool is switched off.
15. If working place is extremely hot and humid, or badly polluted by conductive dust, use a short-circuit breaker (30 mA) to assure operator safety.
16. Do not use the tool on any materials containing asbestos.
17. When use cut-off wheel, always work with the dust collecting wheel guard required by domestic regulation.
18. Cutting discs must not be subjected to any lateral pressure.
19. Do not use cloth work gloves during operation. Fibers from cloth gloves may enter the tool, which causes tool breakage.

**SAVE THESE INSTRUCTIONS.**

**⚠ WARNING: DO NOT** let comfort or familiarity with product (gained from repeated use) replace strict adherence to safety rules for the subject product. **MISUSE** or failure to follow the safety rules stated in this instruction manual may cause serious personal injury.

### Important safety instructions for battery cartridge

1. Before using battery cartridge, read all instructions and cautionary markings on (1) battery charger, (2) battery, and (3) product using battery.
2. Do not disassemble battery cartridge.
3. If operating time has become excessively shorter, stop operating immediately. It may result in a risk of overheating, possible burns and even an explosion.
4. If electrolyte gets into your eyes, rinse them out with clear water and seek medical attention right away. It may result in loss of your eyesight.
5. Do not short the battery cartridge:
  - (1) Do not touch the terminals with any conductive material.
  - (2) Avoid storing battery cartridge in a container with other metal objects such as nails, coins, etc.
  - (3) Do not expose battery cartridge to water or rain.

A battery short can cause a large current flow, overheating, possible burns and even a breakdown.
6. Do not store the tool and battery cartridge in locations where the temperature may reach or exceed 50 °C (122 °F).
7. Do not incinerate the battery cartridge even if it is severely damaged or is completely worn out. The battery cartridge can explode in a fire.
8. Be careful not to drop or strike battery.
9. Do not use a damaged battery.
10. The contained lithium-ion batteries are subject to the Dangerous Goods Legislation requirements.
 

For commercial transports e.g. by third parties, forwarding agents, special requirement on packaging and labeling must be observed. For preparation of the item being shipped, consulting an expert for hazardous material is required. Please also observe possibly more detailed national regulations.

Tape or mask off open contacts and pack up the battery in such a manner that it cannot move around in the packaging.
11. Follow your local regulations relating to disposal of battery.
12. Use the batteries only with the products specified by Makita. Installing the batteries to non-compliant products may result in a fire, excessive heat, explosion, or leak of electrolyte.

**SAVE THESE INSTRUCTIONS.**

**⚠ CAUTION:** Only use genuine Makita batteries. Use of non-genuine Makita batteries, or batteries that have been altered, may result in the battery bursting causing fires, personal injury and damage. It will also void the Makita warranty for the Makita tool and charger.

## Tips for maintaining maximum battery life

1. Charge the battery cartridge before completely discharged. Always stop tool operation and charge the battery cartridge when you notice less tool power.
2. Never recharge a fully charged battery cartridge. Overcharging shortens the battery service life.
3. Charge the battery cartridge with room temperature at 10 °C - 40 °C (50 °F - 104 °F). Let a hot battery cartridge cool down before charging it.
4. Charge the battery cartridge if you do not use it for a long period (more than six months).

## Important safety instructions for wireless unit

1. Do not disassemble or tamper with the wireless unit.
2. Keep the wireless unit away from young children. If accidentally swallowed, seek medical attention immediately.
3. Use the wireless unit only with Makita tools.
4. Do not expose the wireless unit to rain or wet conditions.
5. Do not use the wireless unit in places where the temperature exceeds 50°C (122°F).
6. Do not operate the wireless unit in places where medical instruments, such as heart pace makers are near by.
7. Do not operate the wireless unit in places where automated devices are near by. If operated, automated devices may develop malfunction or error.
8. The wireless unit can produce electromagnetic fields (EMF) but they are not harmful to the user.
9. The wireless unit is an accurate instrument. Be careful not to drop or strike the wireless unit.
10. Avoid touching the terminal of the wireless unit with bare hands or metallic materials.
11. Always remove the battery on the tool when installing the wireless unit.
12. When opening the lid of the slot, avoid the place where dust and water may come into the slot. Always keep the inlet of the slot clean.
13. Always insert the wireless unit in the correct direction.
14. Do not press the wireless activation button on the wireless unit too hard and/or press the button with an object with a sharp edge.
15. Always close the lid of the slot when operating.

16. Do not remove the wireless unit from the slot while the power is being supplied to the tool. Doing so may cause a malfunction of the wireless unit.
17. Do not remove the sticker on the wireless unit.
18. Do not put any sticker on the wireless unit.
19. Do not leave the wireless unit in a place where static electricity or electrical noise could be generated.
20. Do not leave the wireless unit in a place subject to high heat, such as a car sitting in the sun.
21. Do not leave the wireless unit in a dusty or powdery place or in a place corrosive gas could be generated.
22. Sudden change of the temperature may bedew the wireless unit. Do not use the wireless unit until the dew is completely dried.
23. When cleaning the wireless unit, gently wipe with a dry soft cloth. Do not use benzine, thinner, conductive grease or the like.
24. When storing the wireless unit, keep it in the supplied case or a static-free container.
25. Do not insert any devices other than Makita wireless unit into the slot on the tool.
26. Do not use the tool with the lid of the slot damaged. Water, dust, and dirt come into the slot may cause malfunction.
27. Do not pull and/or twist the lid of the slot more than necessary. Restore the lid if it comes off from the tool.
28. Replace the lid of the slot if it is lost or damaged.

**SAVE THESE INSTRUCTIONS.**

# FUNCTIONAL DESCRIPTION

**CAUTION:** Always be sure that the tool is switched off and the battery cartridge is removed before adjusting or checking function on the tool.

## Installing or removing battery cartridge

**CAUTION:** Always switch off the tool before installing or removing of the battery cartridge.

**CAUTION:** Hold the tool and the battery cartridge firmly when installing or removing battery cartridge.

Failure to hold the tool and the battery cartridge firmly may cause them to slip off your hands and result in damage to the tool and battery cartridge and a personal injury.

► **Fig.1:** 1. Red indicator 2. Button 3. Battery cartridge

To remove the battery cartridge, slide it from the tool while sliding the button on the front of the cartridge.

To install the battery cartridge, align the tongue on the battery cartridge with the groove in the housing and slip it into place. Insert it all the way until it locks in place with a little click. If you can see the red indicator on the upper side of the button, it is not locked completely.

**CAUTION:** Always install the battery cartridge fully until the red indicator cannot be seen. If not, it may accidentally fall out of the tool, causing injury to you or someone around you.

**CAUTION:** Do not install the battery cartridge forcibly. If the cartridge does not slide in easily, it is not being inserted correctly.

## Indicating the remaining battery capacity

*Only for battery cartridges with the indicator*

► **Fig.2:** 1. Indicator lamps 2. Check button

Press the check button on the battery cartridge to indicate the remaining battery capacity. The indicator lamps light up for a few seconds.

Indicator lamps			Remaining capacity
Lighted	Off	Blinking	
	■ ■ ■ ■		75% to 100%
	■ ■ ■ □		50% to 75%
	■ ■ □ □		25% to 50%
	■ □ □ □		0% to 25%
▣	□ □ □ □		Charge the battery.
■ ■ □ □	□ □ ■ ■	↑ ↓	The battery may have malfunctioned.

**NOTE:** Depending on the conditions of use and the ambient temperature, the indication may differ slightly from the actual capacity.

## Indicating the remaining battery capacity

### Country specific

When you turn the tool on, the battery indicator shows the remaining battery capacity.

► **Fig.3:** 1. Battery indicator

The remaining battery capacity is shown as the following table.

Battery indicator status			Remaining battery capacity
On	Off	Blinking	
			50% to 100%
			20% to 50%
			0% to 20%
			Charge the battery

## Tool / battery protection system

The tool is equipped with a tool/battery protection system. This system automatically cuts off power to the motor to extend tool and battery life. The tool will automatically stop during operation if the tool or battery is placed under one of the following conditions:

### Overload protection

When the tool is operated in a manner that causes it to draw an abnormally high current, the tool automatically stops without any indication. In this situation, turn the tool off and stop the application that caused the tool to become overloaded. Then turn the tool on to restart.

### Overheat protection

When the tool is overheated, the tool stops automatically and the battery indicator shows following state. In this situation, let the tool cool before turning the tool on again.

On	Blinking

If the tool does not start, the battery may be overheated. In this situation, let the battery cool before starting the tool again.

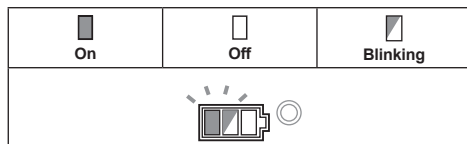


## Overdischarge protection

When the battery capacity is not enough, the tool stops automatically. In this case, remove the battery from the tool and charge the battery.

## Releasing protection lock

When the protection system works repeatedly, the tool is locked and the battery indicator shows the following state. In this situation, the tool does not start even if turning the tool off and on. To release the protection lock, remove the battery, set it to the battery charger and wait until the charging finishes.



## Shaft lock

Press the shaft lock to prevent spindle rotation when installing or removing accessories.

► Fig.4: 1. Shaft lock

**NOTICE:** Never actuate the shaft lock when the spindle is moving. The tool may be damaged.

## Switch action

**CAUTION:** Before installing the battery cartridge into the tool, always check to see that the slide switch actuates properly and returns to the "OFF" position when the rear of the slide switch is depressed.

**CAUTION:** Switch can be locked in "ON" position for ease of operator comfort during extended use. Apply caution when locking tool in "ON" position and maintain firm grasp on tool.

To start the tool, slide the slide switch toward the "I (ON)" position by pushing the rear of the slide switch. For continuous operation, press the front of the slide switch to lock it.

To stop the tool, press the rear of the slide switch, then slide it toward the "O (OFF)" position.

► Fig.5: 1. Slide switch

## Speed adjusting dial

The rotation speed of the tool can be changed by turning the speed adjusting dial. The table below shows the number on the dial and the corresponding rotation speed.

► Fig.6: 1. Speed adjusting dial



Number	Speed
1	3,000 min <sup>-1</sup>
2	4,500 min <sup>-1</sup>
3	6,000 min <sup>-1</sup>
4	7,500 min <sup>-1</sup>
5	8,500 min <sup>-1</sup>

**NOTICE:** If the tool is operated continuously at low speed for a long time, the motor will get overloaded, resulting in tool malfunction.

**NOTICE:** When changing the speed dial from "5" to "1", turn the dial counterclockwise. Do not turn the dial clockwise forcibly.

## Automatic speed change function

► Fig.7: 1. Mode indicator

Mode indicator status	Operation mode
	High speed mode
	High torque mode

This tool has "high speed mode" and "high torque mode". It automatically changes operation mode depending on the work load. When mode indicator lights up during operation, the tool is in high torque mode.

## Accidental re-start preventive function

Even if the battery cartridge is installed on the tool with the slide switch in the "I (ON)" position, the tool does not start.

To start the tool, first slide the slide switch toward the "O (OFF)" position and then slide it toward the "I (ON)" position.

## Electronic torque control function

The tool electronically detects situations where the wheel or accessory may be at risk to be bound. In the situation, the tool is automatically shut off to prevent further rotation of the spindle (it does not prevent kickback).

To restart the tool, switch off the tool first, remove the cause of sudden drop in the rotation speed, and then turn the tool on.

## Soft start feature

Soft start feature reduces starting reaction.

## Electric brake

**For model DGA413/DGA414/DGA463/DGA464/DGA513/DGA514 only**

Electric brake is activated after the tool is switched off. The brake does not work when the power supply is shut down, such as the battery is removed accidentally, with the switch still on.



## ASSEMBLY

**⚠ CAUTION:** Always be sure that the tool is switched off and the battery cartridge is removed before adjusting or checking function on the tool.

### Installing side grip (handle)

**⚠ CAUTION:** Always be sure that the side grip is installed securely before operation.

Screw the side grip securely on the position of the tool as shown in the figure.

► Fig.8

### Installing or removing wheel guard (For depressed center wheel, flap disc, flex wheel, wire wheel brush / abrasive cut-off wheel, diamond wheel)

**⚠ WARNING:** When using a depressed center wheel, flap disc, flex wheel or wire wheel brush, the wheel guard must be fitted on the tool so that the closed side of the guard always points toward the operator.

**⚠ WARNING:** When using an abrasive cut-off / diamond wheel, be sure to use only the special wheel guard designed for use with cut-off wheels.

(In some European countries, when using a diamond wheel, the ordinary guard can be used. Follow the regulations in your country.)

### For tool with locking screw type wheel guard

Mount the wheel guard with the protrusions on the wheel guard band aligned with the notches on the bearing box. Then rotate the wheel guard to such an angle that it can protect the operator according to work. Be sure to tighten the screw securely.

To remove wheel guard, follow the installation procedure in reverse.

► Fig.9: 1. Wheel guard 2. Bearing box 3. Screw

### For tool with clamp lever type wheel guard

Loosen the screw, and then pull the lever in the direction of the arrow. Mount the wheel guard with the protrusions on the wheel guard band aligned with the notches on the bearing box. Then rotate the wheel guard to such an angle that it can protect the operator according to work.

► Fig.10: 1. Wheel guard 2. Bearing box 3. Screw 4. Lever

Pull the lever in direction of the arrow. Then tighten the wheel guard with fastening the screw. Be sure to tighten the screw securely. The setting angle of the wheel guard can be adjusted with the lever.

► Fig.11: 1. Screw 2. Lever

To remove wheel guard, follow the installation procedure in reverse.

### Installing or removing depressed center wheel or flap disc

#### Optional accessory

**⚠ WARNING:** When using a depressed center wheel or flap disc, the wheel guard must be fitted on the tool so that the closed side of the guard always points toward the operator.

**⚠ CAUTION:** Make sure that the mounting part of the inner flange fits into the inner diameter of the depressed center wheel / flap disc perfectly. Mounting the inner flange on the wrong side may result in the dangerous vibration.

Mount the inner flange onto the spindle. Make sure to fit the dented part of the inner flange onto the straight part at the bottom of the spindle.

Fit the depressed center wheel / flap disc on the inner flange and screw the lock nut onto the spindle.

► Fig.12: 1. Lock nut 2. Depressed center wheel 3. Inner flange 4. Mounting part

To tighten the lock nut, press the shaft lock firmly so that the spindle cannot revolve, then use the lock nut wrench and securely tighten clockwise.

► Fig.13: 1. Lock nut wrench 2. Shaft lock

To remove the wheel, follow the installation procedure in reverse.

### Installing or removing flex wheel

#### Optional accessory

**⚠ WARNING:** Always use supplied guard when flex wheel is on tool. Wheel can shatter during use and guard helps to reduce chances of personal injury.

► Fig.14: 1. Lock nut 2. Flex wheel 3. Back up pad 4. Inner flange

Follow instructions for depressed center wheel but also use back up pad over wheel. See order of assembly on accessories page in this manual.

### Installing or removing abrasive disc

#### Optional accessory

**NOTE:** Use sander accessories specified in this manual. These must be purchased separately.

### For 100 mm (4") model

► Fig.15: 1. Sanding lock nut 2. Abrasive disc 3. Rubber pad 4. Inner flange

1. Mount the inner flange onto the spindle.
2. Mount the rubber pad onto the spindle.
3. Fit the disc on the rubber pad and screw the sanding lock nut onto the spindle.
4. Hold the spindle with the shaft lock, and securely tighten the sanding lock nut clockwise with the lock nut wrench.

To remove the disc, follow the installation procedure in reverse.

## For 115 mm (4 - 1/2") / 125 mm (5") model

► **Fig.16:** 1. Sanding lock nut 2. Abrasive disc  
3. Rubber pad

1. Mount the rubber pad onto the spindle.
2. Fit the disc on the rubber pad and screw the sanding lock nut onto the spindle.
3. Hold the spindle with the shaft lock, and securely tighten the sanding lock nut clockwise with the lock nut wrench.

To remove the disc, follow the installation procedure in reverse.

### Connecting a vacuum cleaner

#### Optional accessory

**⚠ WARNING:** Never vacuum metal particles created by grinding/cutting/sanding operation. Metal particles created by such operation are so hot that they ignite dust and the filter inside the vacuum cleaner.

To avoid dusty environment caused by masonry cutting, use a dust collecting wheel guard and a vacuum cleaner.

Refer to the instruction manual attached to the dust collecting wheel guard for assembling and using it.

► **Fig.17:** 1. Dust collecting wheel guard 2. Hose of the vacuum cleaner

## OPERATION

**⚠ WARNING:** It should never be necessary to force the tool. The weight of the tool applies adequate pressure. Forcing and excessive pressure could cause dangerous wheel breakage.

**⚠ WARNING:** ALWAYS replace wheel if tool is dropped while grinding.

**⚠ WARNING:** NEVER bang or hit grinding disc or wheel onto work.

**⚠ WARNING:** Avoid bouncing and snagging the wheel, especially when working corners, sharp edges etc. This can cause loss of control and kickback.

**⚠ WARNING:** NEVER use tool with wood cutting blades and other saw blades. Such blades when used on a grinder frequently kick and cause loss of control leading to personal injury.

**⚠ CAUTION:** Never switch on the tool when it is in contact with the workpiece, it may cause an injury to operator.

**⚠ CAUTION:** Always wear safety goggles or a face shield during operation.

**⚠ CAUTION:** After operation, always switch off the tool and wait until the wheel has come to a complete stop before putting the tool down.

**⚠ CAUTION:** ALWAYS hold the tool firmly with one hand on housing and the other on the side grip (handle).

### Grinding and sanding operation

► **Fig.18**

Turn the tool on and then apply the wheel or disc to the workpiece.

In general, keep the edge of the wheel or disc at an angle of about 15° to the workpiece surface. During the break-in period with a new wheel, do not work the grinder in forward direction or it may cut into the workpiece. Once the edge of the wheel has been rounded off by use, the wheel may be worked in both forward and backward direction.

### Operation with abrasive cut-off / diamond wheel

#### Optional accessory

**⚠ WARNING:** When using an abrasive cut-off / diamond wheel, be sure to use only the special wheel guard designed for use with cut-off wheels.

(In some European countries, when using a diamond wheel, the ordinary guard can be used. Follow the regulations in your country.)

**⚠ WARNING:** NEVER use cut-off wheel for side grinding.

**⚠ WARNING:** Do not "jam" the wheel or apply excessive pressure. Do not attempt to make an excessive depth of cut. Overstressing the wheel increases the loading and susceptibility to twisting or binding of the wheel in the cut and the possibility of kickback, wheel breakage and overheating of the motor may occur.

**⚠ WARNING:** Do not start the cutting operation in the workpiece. Let the wheel reach full speed and carefully enter into the cut moving the tool forward over the workpiece surface. The wheel may bind, walk up or kickback if the power tool is started in the workpiece.

**⚠ WARNING:** During cutting operations, never change the angle of the wheel. Placing side pressure on the cut-off wheel (as in grinding) will cause the wheel to crack and break, causing serious personal injury.

**⚠ WARNING:** A diamond wheel shall be operated perpendicular to the material being cut.

- **Fig.19:** 1. Lock nut 2. Abrasive cut-off wheel / diamond wheel 3. Inner flange 4. Wheel guard for abrasive cut-off wheel / diamond wheel

As for the installation, follow the instructions for depressed center wheel.

**The direction for mounting the lock nut and the inner flange varies by wheel type and thickness.** Refer to the following figures.

## For 100 mm (4") model

**When installing the abrasive cut-off wheel:**

- **Fig.20:** 1. Lock nut 2. Abrasive cut-off wheel (Thinner than 4mm (5/32")) 3. Abrasive cut-off wheel (4mm (5/32") or thicker) 4. Inner flange

**When installing the diamond wheel:**

- **Fig.21:** 1. Lock nut 2. Diamond wheel (Thinner than 4mm (5/32")) 3. Diamond wheel (4mm (5/32") or thicker) 4. Inner flange

## For 115 mm (4 - 1/2") / 125 mm (5") model

**When installing the abrasive cut-off wheel:**

- **Fig.22:** 1. Lock nut 2. Abrasive cut-off wheel (Thinner than 4mm (5/32")) 3. Abrasive cut-off wheel (4mm (5/32") or thicker) 4. Inner flange

**When installing the diamond wheel:**

- **Fig.23:** 1. Lock nut 2. Diamond wheel (Thinner than 4mm (5/32")) 3. Diamond wheel (4mm (5/32") or thicker) 4. Inner flange

## Operation with wire cup brush

*Optional accessory*

**CAUTION:** Check operation of brush by running tool with no load, insuring that no one is in front of or in line with brush.

**CAUTION:** Do not use brush that is damaged, or which is out of balance. Use of damaged brush could increase potential for injury from contact with broken brush wires.

- **Fig.24:** 1. Wire cup brush

Remove the battery cartridge from the tool and place it upside down allowing easy access to spindle.

Remove any accessories on spindle. Thread wire cup brush onto spindle and tighten with supplied wrench.

**NOTICE:** Avoid applying too much pressure which causes over bending of wires when using brush. It may lead to premature breakage.

## Operation with wire wheel brush

*Optional accessory*

**CAUTION:** Check operation of wire wheel brush by running tool with no load, insuring that no one is in front of or in line with the wire wheel brush.

**CAUTION:** Do not use wire wheel brush that is damaged, or which is out of balance. Use of damaged wire wheel brush could increase potential for injury from contact with broken wires.

**CAUTION:** ALWAYS use guard with wire wheel brushes, assuring diameter of wheel fits inside guard. Wheel can shatter during use and guard helps to reduce chances of personal injury.

- **Fig.25:** 1. Wire wheel brush

Remove the battery cartridge from the tool and place it upside down allowing easy access to spindle. Remove any accessories on spindle. Thread wire wheel brush onto spindle and tighten with the wrenches.

**NOTICE:** Avoid applying too much pressure which causes over bending of wires when using wire wheel brush. It may lead to premature breakage.

## WIRELESS ACTIVATION FUNCTION

For DGA412/DGA414/DGA462/DGA464/DGA512/DGA514 only

### What you can do with the wireless activation function

The wireless activation function enables clean and comfortable operation. By connecting a supported vacuum cleaner to the tool, you can run the vacuum cleaner automatically along with the switch operation of the tool.

- **Fig.26**

To use the wireless activation function, prepare following items:

- A wireless unit
- A vacuum cleaner which supports the wireless activation function

The overview of the wireless activation function setting is as follows. Refer to each section for detail procedures.

1. Installing the wireless unit
2. Tool registration for the vacuum cleaner
3. Starting the wireless activation function

## Installing the wireless unit

**CAUTION:** Place the tool on a flat and stable surface when installing the wireless unit.

**NOTICE:** Clean the dust and dirt on the tool before installing the wireless unit. Dust or dirt may cause malfunction if it comes into the slot of the wireless unit.

**NOTICE:** To prevent the malfunction caused by static, touch a static discharging material, such as a metal part of the tool, before picking up the wireless unit.

**NOTICE:** When installing the wireless unit, always be sure that the wireless unit is inserted in the correct direction and the lid is completely closed.

1. Open the lid on the tool as shown in the figure.  
▶ **Fig.27:** 1. Lid
2. Insert the wireless unit to the slot and then close the lid.

When inserting the wireless unit, align the projections with the recessed portions on the slot.

- ▶ **Fig.28:** 1. Wireless unit 2. Projection 3. Lid  
4. Recessed portion

When removing the wireless unit, open the lid slowly. The hooks on the back of the lid will lift the wireless unit as you pull up the lid.

- ▶ **Fig.29:** 1. Wireless unit 2. Hook 3. Lid

After removing the wireless unit, keep it in the supplied case or a static-free container.

**NOTICE:** Always use the hooks on the back of the lid when removing the wireless unit. If the hooks do not catch the wireless unit, close the lid completely and open it slowly again.

## Tool registration for the vacuum cleaner

**NOTE:** A Makita vacuum cleaner supporting the wireless activation function is required for the tool registration.

**NOTE:** Finish installing the wireless unit to the tool before starting the tool registration.

**NOTE:** During the tool registration, do not pull the switch trigger or turn on the power switch on the vacuum cleaner.

**NOTE:** Refer to the instruction manual of the vacuum cleaner, too.

If you wish to activate the vacuum cleaner along with the switch operation of the tool, finish the tool registration beforehand.

1. Install the batteries to the vacuum cleaner and the tool.
2. Set the stand-by switch on the vacuum cleaner to "AUTO".  
▶ **Fig.30:** 1. Stand-by switch

3. Press the wireless activation button on the vacuum cleaner for 3 seconds until the wireless activation lamp blinks in green. And then press the wireless activation button on the tool in the same way.

▶ **Fig.31:** 1. Wireless activation button 2. Wireless activation lamp

If the vacuum cleaner and the tool are linked successfully, the wireless activation lamps will light up in green for 2 seconds and start blinking in blue.

**NOTE:** The wireless activation lamps finish blinking in green after 20 seconds elapsed. Press the wireless activation button on the tool while the wireless activation lamp on the cleaner is blinking. If the wireless activation lamp does not blink in green, push the wireless activation button briefly and hold it down again.

**NOTE:** When performing two or more tool registrations for one vacuum cleaner, finish the tool registration one by one.

## Starting the wireless activation function

**NOTE:** Finish the tool registration for the vacuum cleaner prior to the wireless activation.

**NOTE:** Refer to the instruction manual of the vacuum cleaner, too.

After registering a tool to the vacuum cleaner, the vacuum cleaner will automatically runs along with the switch operation of the tool.

1. Install the wireless unit to the tool.
2. Connect the hose of the vacuum cleaner with the tool.  
▶ **Fig.32**

3. Set the stand-by switch on the vacuum cleaner to "AUTO".

▶ **Fig.33:** 1. Stand-by switch

4. Push the wireless activation button on the tool briefly. The wireless activation lamp will blink in blue.

▶ **Fig.34:** 1. Wireless activation button 2. Wireless activation lamp

5. Pull the switch trigger of the tool. Check if the vacuum cleaner runs while the switch trigger is being pulled.

To stop the wireless activation of the vacuum cleaner, push the wireless activation button on the tool.

**NOTE:** The wireless activation lamp on the tool will stop blinking in blue when there is no operation for 2 hours. In this case, set the stand-by switch on the vacuum cleaner to "AUTO" and push the wireless activation button on the tool again.

**NOTE:** The vacuum cleaner starts/stops with a delay. There is a time lag when the vacuum cleaner detects a switch operation of the tool.










**NOTE:** The transmission distance of the wireless unit may vary depending on the location and surrounding circumstances.

**NOTE:** When two or more tools are registered to one vacuum cleaner, the vacuum cleaner may start running even if you don't pull the switch trigger because another user is using the wireless activation function.

## Description of the wireless activation lamp status

### ► Fig.35: 1. Wireless activation lamp

The wireless activation lamp shows the status of the wireless activation function. Refer to the table below for the meaning of the lamp status.

Status	Wireless activation lamp				Description
	Color	 On	 Blinking	Duration	
Standby	Blue			2 hours	The wireless activation of the vacuum cleaner is available. The lamp will automatically turn off when no operation is performed for 2 hours.
				When the tool is running.	The wireless activation of the vacuum cleaner is available and the tool is running.
Tool registration	Green			20 seconds	Ready for the tool registration. Waiting for the registration by the vacuum cleaner.
				2 seconds	The tool registration has been finished. The wireless activation lamp will start blinking in blue.
Cancelling tool registration	Red			20 seconds	Ready for the cancellation of the tool registration. Waiting for the cancellation by the vacuum cleaner.
				2 seconds	The cancellation of the tool registration has been finished. The wireless activation lamp will start blinking in blue.
Others	Red			3 seconds	The power is supplied to the wireless unit and the wireless activation function is starting up.
	Off	-		-	The wireless activation of the vacuum cleaner is stopped.

## Cancelling tool registration for the vacuum cleaner

Perform the following procedure when cancelling the tool registration for the vacuum cleaner.

1. Install the batteries to the vacuum cleaner and the tool.
2. Set the stand-by switch on the vacuum cleaner to "AUTO".

### ► Fig.36: 1. Stand-by switch

3. Press the wireless activation button on the vacuum cleaner for 6 seconds. The wireless activation lamp blinks in green and then become red. After that, press the wireless activation button on the tool in the same way.

### ► Fig.37: 1. Wireless activation button 2. Wireless activation lamp

If the cancellation is performed successfully, the wireless activation lamps will light up in red for 2 seconds and start blinking in blue.

**NOTE:** The wireless activation lamps finish blinking in red after 20 seconds elapsed. Press the wireless activation button on the tool while the wireless activation lamp on the cleaner is blinking. If the wireless activation lamp does not blink in red, push the wireless activation button briefly and hold it down again.

## Troubleshooting for wireless activation function

Before asking for repairs, conduct your own inspection first. If you find a problem that is not explained in the manual, do not attempt to dismantle the tool. Instead, ask Makita Authorized Service Centers, always using Makita replacement parts for repairs.

State of abnormality	Probable cause (malfunction)	Remedy
The wireless activation lamp does not light/blink.	The wireless unit is not installed into the tool. The wireless unit is improperly installed into the tool.	Install the wireless unit correctly.
	The terminal of the wireless unit and/or the slot is dirty.	Gently wipe off dust and dirt on the terminal of the wireless unit and clean the slot.
	The wireless activation button on the tool has not been pushed.	Push the wireless activation button on the tool briefly.
	The stand-by switch on the vacuum cleaner is not set to "AUTO".	Set the stand-by switch on the vacuum cleaner to "AUTO".
	No power supply	Supply the power to the tool and the vacuum cleaner.
Cannot finish tool registration / cancelling tool registration successfully.	The wireless unit is not installed into the tool. The wireless unit is improperly installed into the tool.	Install the wireless unit correctly.
	The terminal of the wireless unit and/or the slot is dirty.	Gently wipe off dust and dirt on the terminal of the wireless unit and clean the slot.
	The stand-by switch on the vacuum cleaner is not set to "AUTO".	Set the stand-by switch on the vacuum cleaner to "AUTO".
	No power supply	Supply the power to the tool and the vacuum cleaner.
	Incorrect operation	Push the wireless activation button briefly and perform the tool registration/cancellation procedures again.
	The tool and vacuum cleaner is away from each other (out of the transmission range).	Get the tool and vacuum cleaner closer to each other. The maximum transmission distance is approximately 10 m however it may vary according to the circumstances.
	Before finishing the tool registration/cancellation; - the switch trigger on the tool is pulled or; - the power button on the vacuum cleaner is turned on.	Push the wireless activation button briefly and perform the tool registration/cancellation procedures again.
	The tool registration procedures for the tool or vacuum cleaner has not finished.	Perform the tool registration procedures for both the tool and the vacuum cleaner at the same timing.
Radio disturbance by other appliances which generate high-intensity radio waves.	Keep the tool and vacuum cleaner away from the appliances such as Wi-Fi devices and microwave ovens.	

State of abnormality	Probable cause (malfunction)	Remedy
The vacuum cleaner does not run along with the switch operation of the tool.	The wireless unit is not installed into the tool. The wireless unit is improperly installed into the tool.	Install the wireless unit correctly.
	The terminal of the wireless unit and/or the slot is dirty.	Gently wipe off dust and dirt on the terminal of the wireless unit and clean the slot.
	The wireless activation button on the tool has not been pushed.	Push the wireless activation button briefly and make sure that the wireless activation lamp is blinking in blue.
	The stand-by switch on the vacuum cleaner is not set to "AUTO".	Set the stand-by switch on the vacuum cleaner to "AUTO".
	More than 10 tools are registered to the vacuum cleaner.	Perform the tool registration again. If more than 10 tools are registered to the vacuum cleaner, the tool registered earliest will be cancelled automatically.
	The vacuum cleaner erased all tool registrations.	Perform the tool registration again.
	No power supply	Supply the power to the tool and the vacuum cleaner.
	The tool and vacuum cleaner is away from each other (out of the transmission range).	Get the tool and vacuum cleaner closer each other. The maximum transmission distance is approximately 10 m however it may vary according to the circumstances.
	Radio disturbance by other appliances which generate high-intensity radio waves.	Keep the tool and vacuum cleaner away from the appliances such as Wi-Fi devices and microwave ovens.
The vacuum cleaner runs while the tool's switch trigger is not pulled.	Other users are using the wireless activation of the vacuum cleaner with their tools.	Turn off the wireless activation button of the other tools or cancel the tool registration of the other tools.

## MAINTENANCE

**CAUTION:** Always be sure that the tool is switched off and the battery cartridge is removed before attempting to perform inspection or maintenance.

**NOTICE:** Never use gasoline, benzene, thinner, alcohol or the like. Discoloration, deformation or cracks may result.

## Air vent cleaning

The tool and its air vents have to be kept clean. Regularly clean the tool's air vents or whenever the vents start to become obstructed.

► **Fig.38:** 1. Exhaust vent 2. Inhalation vent

Remove the dust cover from inhalation vent and clean it for smooth air circulation.

► **Fig.39:** 1. Dust cover

**NOTICE:** Clean out the dust cover when it is clogged with dust or foreign matters. Continuing operation with a clogged dust cover may damage the tool.

# OPTIONAL ACCESSORIES

**⚠ CAUTION:** These accessories or attachments are recommended for use with your Makita tool specified in this manual. The use of any other accessories or attachments might present a risk of injury to persons. Only use accessory or attachment for its stated purpose.

If you need any assistance for more details regarding these accessories, ask your local Makita Service Center.

- Makita genuine battery and charger
- Wireless unit (For models with wireless activation function)

► **Fig.40**

-	100 mm (4") model	115 mm (4-1/2") model	125 mm (5") model
1	Grip 36		
2	Wheel Guard (for grinding wheel)		
3	Inner flange		
4	Depressed center wheel / Flap disc		
5	Lock nut		
6	Back up pad		
7	Flex wheel		
8	Inner flange and rubber pad 76	Rubber pad 100	Rubber pad 115
9	Abrasive disc		
10	Sanding lock nut		
11	Wire wheel brush		
12	Wire cup brush		
13	Wheel Guard (for cut-off wheel) *1		
14	Abrasive cut-off wheel / Diamond wheel		
15	Dust collecting wheel guard		
-	Lock nut wrench		

**NOTE:** \*1 In some European countries, when using a diamond wheel, the ordinary guard can be used instead of the special guard covering the both side of the wheel. Follow the regulations in your country.

**NOTE:** Some items in the list may be included in the tool package as standard accessories. They may differ from country to country.



## TEHNIČNI PODATKI

Model:	DGA411	DGA412	DGA413	DGA414
Premer rezalne plošče	100 mm (4")			
Največja debelina plošče	6,4 mm			
Navoj vretena	M10			
Nazivna hitrost (n)	8.500 min <sup>-1</sup>			
Celotna dolžina	382 mm			
Nazivna napetost	D.C. 18 V			
Neto teža	2,2 – 2,8 kg			
Električna zavora	-		✓	
Funkcija brezžične aktivacije	-	✓	-	✓

Model:	DGA461	DGA462	DGA463	DGA464
Premer rezalne plošče	115 mm (4-1/2")			
Največja debelina plošče	7,2 mm			
Navoj vretena	M14 ali 5/8" (odvisno od države)			
Nazivna hitrost (n)	8.500 min <sup>-1</sup>			
Celotna dolžina	382 mm			
Nazivna napetost	D.C. 18 V			
Neto teža	2,3 – 3,0 kg			
Električna zavora	-		✓	
Funkcija brezžične aktivacije	-	✓	-	✓

Model:	DGA511	DGA512	DGA513	DGA514
Premer rezalne plošče	125 mm (5")			
Največja debelina plošče	7,2 mm			
Navoj vretena	M14 ali 5/8" (odvisno od države)			
Nazivna hitrost (n)	8.500 min <sup>-1</sup>			
Celotna dolžina	382 mm			
Nazivna napetost	D.C. 18 V			
Neto teža	2,3 – 3,0 kg		2,4 – 3,0 kg	
Električna zavora	-		✓	
Funkcija brezžične aktivacije	-	✓	-	✓

- Ker nenehno opravljamo raziskave in razvijamo svoje izdelke, se lahko tehnični podatki v tem dokumentu spremenijo brez obvestila.
- Tehnični podatki se lahko razlikujejo od države do države.
- Teža se lahko razlikuje glede na priključke, vključno z akumulatorsko baterijo. Najlažja in najtežja kombinacija v skladu s postopkom EPTA 01/2014 sta prikazani v preglednici.

**Uporabna akumulatorska baterija**

BL1815N / BL1820 / BL1820B / BL1830 / BL1830B / BL1840 / BL1840B / BL1850 / BL1850B / BL1860B

- Nekateri zgoraj navedene akumulatorske baterije morda v vaši državi prebivališča niso na voljo.

**⚠ OPOZORILO:** Uporabljajte le zgoraj navedene akumulatorske baterije. Uporaba drugih akumulatorskih baterij lahko povzroči telesne poškodbe in/ali požar.

**Predvidena uporaba**

Stroj je namenjen za brušenje, glajenje in rezanje kovine in kamna brez uporabe vode.

## Hrup

Običajna A-ovrednotena raven hrupa v skladu z EN60745:

Model	Raven zvočnega tlaka ( $L_{pA}$ ) : (dB(A))	Raven zvočne moči ( $L_{WA}$ ) : (dB(A))	Odstopanje (K): (dB(A))
DGA411	80	-	3
DGA412	80	-	3
DGA413	80	-	3
DGA414	80	-	3
DGA461	79	-	3
DGA462	79	-	3
DGA463	79	-	3
DGA464	79	-	3
DGA511	79	-	3
DGA512	79	-	3
DGA513	79	-	3
DGA514	79	-	3

Nivo hrupa med delom lahko preseže 80 dB (A).

**⚠ OPOZORILO:** Uporabljajte zaščito za sluh.

## Vibracije

Skupne vrednosti vibracij (vektorska vsota treh osi) v skladu z EN60745:

**Način dela: brušenje površin z uporabo običajnega stranskega ročaja**

Model	Oddajanje tresljajev ( $a_{hv, AG}$ ): ( $m/s^2$ )	Odstopanje (K): ( $m/s^2$ )
DGA411	4,5	1,5
DGA412	4,5	1,5
DGA413	4,5	1,5
DGA414	4,5	1,5
DGA461	6,5	1,5
DGA462	6,5	1,5
DGA463	6,5	1,5
DGA464	6,5	1,5
DGA511	6,5	1,5
DGA512	6,5	1,5
DGA513	6,5	1,5
DGA514	6,5	1,5

**Način dela: brušenje površin z uporabo antivibracijskega stranskega ročaja**

Model	Oddajanje tresljajev ( $a_{h, AG}$ ): ( $m/s^2$ )	Odstopanje (K): ( $m/s^2$ )
DGA411	4,0	1,5
DGA412	4,0	1,5
DGA413	4,0	1,5
DGA414	4,0	1,5
DGA461	6,0	1,5
DGA462	6,0	1,5
DGA463	6,0	1,5
DGA464	6,0	1,5
DGA511	6,0	1,5
DGA512	6,0	1,5
DGA513	6,0	1,5
DGA514	6,0	1,5

**Način dela: peskanje s ploščo z uporabo običajnega stranskega ročaja**

Model	Oddajanje tresljajev ( $a_{h, DS}$ ): ( $m/s^2$ )	Odstopanje (K): ( $m/s^2$ )
DGA411	2,5 $m/s^2$ ali manj	1,5
DGA412	2,5 $m/s^2$ ali manj	1,5
DGA413	2,5 $m/s^2$ ali manj	1,5
DGA414	2,5 $m/s^2$ ali manj	1,5
DGA461	2,5 $m/s^2$ ali manj	1,5
DGA462	2,5 $m/s^2$ ali manj	1,5
DGA463	2,5 $m/s^2$ ali manj	1,5
DGA464	2,5 $m/s^2$ ali manj	1,5
DGA511	2,5 $m/s^2$ ali manj	1,5
DGA512	2,5 $m/s^2$ ali manj	1,5
DGA513	2,5 $m/s^2$ ali manj	1,5
DGA514	2,5 $m/s^2$ ali manj	1,5

**Način dela: peskanje s ploščo z uporabo antivibracijskega stranskega ročaja**

Model	Oddajanje tresljajev ( $a_{h, DS}$ ): ( $m/s^2$ )	Odstopanje (K): ( $m/s^2$ )
DGA411	2,5 $m/s^2$ ali manj	1,5
DGA412	2,5 $m/s^2$ ali manj	1,5
DGA413	2,5 $m/s^2$ ali manj	1,5
DGA414	2,5 $m/s^2$ ali manj	1,5
DGA461	2,5 $m/s^2$ ali manj	1,5
DGA462	2,5 $m/s^2$ ali manj	1,5
DGA463	2,5 $m/s^2$ ali manj	1,5
DGA464	2,5 $m/s^2$ ali manj	1,5
DGA511	2,5 $m/s^2$ ali manj	1,5
DGA512	2,5 $m/s^2$ ali manj	1,5
DGA513	2,5 $m/s^2$ ali manj	1,5
DGA514	2,5 $m/s^2$ ali manj	1,5

**OPOMBA:** Navedena vrednost oddajanja vibracij je bila izmerjena v skladu s standardnimi metodami testiranja in se lahko uporablja za primerjavo orodij.

**OPOMBA:** Navedena vrednost oddajanja vibracij se lahko uporablja tudi pri predhodni oceni izpostavljenosti.

**⚠ OPOZORILO:** Oddajanje vibracij med dejansko uporabo električnega orodja se lahko razlikuje od navedene vrednosti oddajanja, odvisno od načina uporabe orodja.

**⚠ OPOZORILO:** Upravljaavec mora za lastno zaščito poznati varnostne ukrepe, ki temeljijo na oceni izpostavljenosti v dejanskih pogojih uporabe (poleg časa proženja je treba upoštevati celoten delovni cikel, vključno s časom, ko je orodje izklopljeno, in časom, ko deluje v prostem teku).

**⚠ OPOZORILO:** Navedena vrednost oddajanja vibracij se uporablja za glavno uporabo električnega orodja. Vendar če električno orodje uporabljate za druge namene, se lahko vrednosti oddajanja vibracij razlikujejo.

## Izjava o skladnosti ES

### Samo za evropske države

Izjava ES o skladnosti je vključena v dodatek A, ki je priložen tem navodilom za uporabo.

## VARNOSTNA OPOZORIILA

### Splošna varnostna opozorila za električno orodje

**⚠ OPOZORILO:** Preberite vsa varnostna opozorila in navodila s slikami in tehničnimi podatki, ki so dobavljeni skupaj z električnim orodjem.

Ob neupoštevanju spodaj navedenih navodil obstaja nevarnost električnega udara, požara in/ali hudih telesnih poškodb.

### Shranite vsa opozorila in navodila za poznejšo uporabo.

Izraz „električno orodje“ v opozorilih se nanaša na vaše električno orodje (s kablom) ali baterijsko električno orodje (brez kabla).

### Varnostna opozorila pri uporabi brezžičnega brusilnika

Varnostna opozorila za brušenje, glajenje, žično ščetkanje ali rezanje:

- 1. Kotni brusilnik je namenjen za brušenje, glajenje, žično ščetkanje ali rezanje. Preberite vsa varnostna opozorila in navodila s slikami in tehničnimi podatki, ki so dobavljeni skupaj z električnim orodjem.** Ob neupoštevanju spodaj navedenih navodil obstaja nevarnost električnega udara, požara in/ali hudih telesnih poškodb.
- 2. Kotni brusilnik ni primeren za poliranje.** Izvajanje opravil, za katere električno orodje ni bilo zasnovano, je nevarno in lahko povzroči hude telesne poškodbe.
- 3. Uporabljajte le nastavke, ki jih je posebej za to orodje zasnoval oz. jih priporoča proizvajalec.** Če je nastavek mogoče pritrčiti na električno orodje, to še ne pomeni, da je uporaba tega nastavka varna.
- 4. Nazivno število vrtljajev nastavka mora ustrezati vsaj največjemu številu vrtljajev, ki je označeno na električnem orodju.** Nastavek, ki se vrti hitreje od nazivnega števila vrtljajev, se lahko zlomi in razleti.

- 5. Zunanji premer in debelina nastavka morata ustrezati nazivni moči električnega orodja.** Nastavka neustrezne velikosti ni mogoče pravilno zavarovati s ščitniki ali ga povsem nadzorovati.
- 6. Pritrditev nastavkov z navoji se mora prilegati navojem vretena brusilnika. Pri nastavkih, nameščenih s prirobnicami, se morajo osne luknje nastavkov natančno prilegati premeru prirobnice.** Nastavkov, ki se ne ujemajo, ni mogoče ustrezno namestiti na električno orodje, kar lahko povzroči neuravnoteženost, čezmerno vibriranje in izgubo nadzora.
- 7. Ne uporabljajte poškodovanih nastavkov. Pred vsako uporabo preverite nastavke (npr. plošče), če se morda niso odkrušile, če brusilni krožniki niso počeni, pretrgani ali čezmerno obrabljeni ali če so na žičnih ščetkah ohlapne ali počene žice. Če pade električno orodje ali nastavek na tla, preverite, če so nastale poškodbe, in po potrebi namestite nepoškodovani nastavek. Po pregledu in namestitvi nastavka se postavite izven ravnine vrtenja nastavka in opozorite osebe v vaši bližini, naj se oddaljijo, ter vključite orodje in ga pustite teči eno minuto brez obremenitve.** Med tem preizkusom poškodovani nastavki običajno počijo.
- 8. Uporabljajte osebna zaščitna sredstva. Odvisno od dela, ki ga opravljate, uporabljajte zaščitno masko za obraz in oči ali zaščitna očala. Če je potrebno, uporabljajte zaščitno masko proti prahu, glušnice, rokavice ali predpasnik za zaščito pred drobci materiala.** Zaščita za oči mora zadržati leteče drobce, ki so prisotni pri različnih načinih dela. Protiprašna maska ali maska za zaščito dihal mora zadržati prah, ki nastaja med delom. Izpostavljanje hrupu lahko povzroči izgubo sluha.
- 9. Pri delu poskrbite, da bodo druge osebe varno oddaljene od delovnega območja. V delovno območje lahko vstopajo samo osebe z ustrezno osebno zaščitno opremo.** Leteči drobci materiala obdelovanca ali počenega nastavka so nevarni in lahko povzročijo poškodbe tudi izven delovnega območja.
- 10. Če obstaja nevarnost, da bi z rezalnim orodjem prerezali skrito električno napeljavo, držite električno orodje samo na izoliranih držalnih površinah.** Če pride od stika z vodniki pod napetostjo, so pod napetostjo vsi neizolirani kovinski deli električnega orodja, zaradi česar lahko uporabnik utrpi električni udar.
- 11. Ne odlagajte električnega orodja iz rok, dokler se nameščeni nastavek ne neha vrteti.** Nastavek, ki se še vedno vrti, lahko pride v stik z odlagalno površino in povzroči izgubo nadzora nad električnim orodjem.

12. **Ne puščajte električnega orodja vključenega brez nadzora.** Vrteči se nastavek se lahko nepričakovano zaplete v vašo obleko in vas poškoduje.
13. **Redno čistite hladilne reže električnega orodja.** Ventilator motorja vsesava v ohišje prah, ki povzroča škodljivo kopičenje prahu in s tem nevarnost električne okvare.
14. **Ne uporabljajte električnega orodja v bližini gorljivih snovi.** Gorljive snovi se lahko vnamejo zaradi iskrenja.
15. **Ne uporabljajte nastavkov, ki so predvideni za uporabo s tekočim hladilnim sredstvom.** Uporaba vode ali drugih tekočin za hlajenje lahko povzroči električni udar.
2. **Površino za brušenje plošč z ugreznjenim centrom je treba namestiti pod ploskvijo ščitnika.** Nepravilno nameščene plošče, ki gleda prekv ravnine ščitnika, ni mogoče zadostno zaščititi.
3. **Za zagotavljanje maksimalne varnosti pri delu mora biti ščitnik rezila pravilno nameščen in tako ustrezno zakrivati kar največ plošče na delu, obrnjenem proti uporabniku.** Ščitnik varuje uporabnika pred izmetom odlomljenih delcev in stikom s ploščo ter iskrenja, ki lahko povzroči vžig oblačil.
4. **Rezalne plošče se lahko uporabljajo le za priporočene naprave. Primer: ne uporabljajte jih za brušenje s stransko ploskvijo.** Namenjene so brušenju z robom rezila. Pri izvajanju bočne sile na rezalno ploščo lahko ta poči.
5. **Uporabljajte samo nepoškodovane prirobnice plošč, ki po dimenziji in obliki ustrezajo uporabljeni plošči.** Ustrezne prirobnice podpirajo ploščo in zmanjšujejo nevarnost zloma plošče. Prirobnice za rezalne plošče se lahko razlikujejo od prirobnic plošč.
6. **Ne uporabljajte izrabljenih rezalnih plošč, ki ste jih predhodno uporabljali na večjih električnih orodjih.** Plošče večjih električnih orodij niso primerne za višje število obratov na manjših orodjih in lahko zato počijo.

#### **Opozorila v zvezi s povratnim udarcem**

Povratni udarec je nenadna reakcija, če se stisne ali zagodzi vrteča se plošča, brusilni krožnik, ščetka ali drug nastavek. Blokada ali zagozdenje namreč povzroči hitro zaustavitev vrtečih se delov orodja, pri čemer električno orodje sune v obratno smer od smeri gibanja vrtečih se delov.

Če pride na primer do blokade abrazivne plošče v obdelovancu, lahko rob v točki zagozdenja zareže v površino, pri tem pa nastala sila rezalno ploščo odbije od materiala. Rezalna plošča lahko odskoči bodisi proti vam ali v nasprotni smeri, kar je odvisno od smeri vodenja rezalne plošče v točki zagozdenja. Abrazivna plošča se lahko pod temi pogoji tudi zlomi.

Povratni udarec je posledica nestrokovnega ravnanja z električnim orodjem ali neugodnih okoliščin. Preprečite ga lahko z upoštevanjem spodaj navedenih opozoril.

1. **Električno orodje držite s trdnim prijemom in se postavite v takšen položaj, da lahko prestrežete sile povratnega udarca. Če je na električno orodje mogoče namestiti dodatni ročaj, ga tudi uporabljajte, saj vam omogoča najboljši nadzor nad povratnimi udarci ali reakcijskim vrtilnim momentom.** Reakcijske vrtilne momente ali povratne udarce je mogoče učinkovito preprečiti z upoštevanjem previdnostnih ukrepov.
2. **Ne približujte rok vrtečim se delom električnega orodja.** Nameščeni nastavek lahko udari nazaj prek vaše roke.
3. **S telesom se postavite stran od smeri, v katero orodje lahko skoči v primeru, da pride do povratnega udarca.** Povratni udarec sunkovito potisne orodje v nasprotni smeri vrtenja rezalne plošče v točki zagozdenja.
4. **Pri obdelavi vogalov, ostrih robov ipd. je potrebna večja previdnost. Izogibajte se položajem, v katerih lahko orodje odskoči iz obdelovanca ali se zagodzi.** V vogalih in na ostrih robovih obstaja povečana nevarnost povratnega sunka ali zagozdenja nastavka. Posledica tega je lahko izguba nadzora ali povratni udarec.
5. **Ne uporabljajte verižnih ali nazobčanih žaginih listov.** Tovrstna orodja pogosto povzročijo povratni udarec ali izgubo nadzora nad električnim orodjem.

#### **Varnostna opozorila pri izvajanju brušenja in rezanja:**

1. **Uporabljajte samo plošče, ki jih za vaše orodje in ščitnik posebej priporoča proizvajalec.** Plošče, ki niso posebej namenjene za delo z vašim orodjem, ni možno ustrezno namestiti, zato je njihova uporaba lahko nevarna.
2. **Rezanja ne začnite ponovno v obdelovancu. Najprej počakajte, da plošča doseže polno hitrost, nato pa pazljivo začnite ponovno rezati.** Če začnete z rezanjem v obdelovancu, se lahko rezalna plošča zagodi, lahko pa pride tudi do povratnega udarca.
3. **Pod plošče in velike obdelovance postavite podporo, da zmanjšate možnost zagozdenja rezalne plošče ali povratnega udarca.** Veliki obdelovanci se lahko zaradi lastne teže povsesijo. Pod obdelovanca je treba poleg linije reza in poleg roba obdelovanca na obeh straneh plošče postaviti podporo.
4. **Bodite še posebej pozorni, ko v obstoječe zidove ali druge slepe točke izvajate „slepe reze“.** Rezalna plošča lahko zadene v plinske, vodovodne ali električne napeljave ali predmete, ki lahko povzročijo povratni udarec.

#### **Dodatna varnostna opozorila pri izvajanju brušenja in rezanja:**

1. **Rezalne plošče ne „blokirate“ ali preobremenjujte.** Ne skušajte narediti preglobokih rezov. Preobremenjevanje plošče povečuje možnost zvijanja ali zagozdenja plošče v obdelovancu ter s tem možnost povratnega udarca ali zloma plošče.
2. **Ne postavljajte se v položaje, v katerih ste v primeru povratnega udarca lahko izpostavljeni sunku električnega orodja.** Ko se plošča med delovanjem premika stran od vašega telesa, lahko eventualni povratni udarec potisne vrtečo se ploščo in električno orodje neposredno v upravljavca.
3. **Če je rezalna plošča ovirana ali če iz katerega koli razloga rezanje prekinete, držite električno orodje pri miru, dokler se rezalna plošča popolnoma ne ustavi. Nikoli ne skušajte odstraniti rezalne plošče iz obdelovanca, dokler se plošča še vrti.** Preverite in odpravite vzrok oviranja rezalne plošče.
4. **Rezanja ne začnite ponovno v obdelovancu.** Najprej počakajte, da plošča doseže polno hitrost, nato pa pazljivo začnite ponovno rezati. Če začnete z rezanjem v obdelovancu, se lahko rezalna plošča zagodi, lahko pa pride tudi do povratnega udarca.
5. **Pod plošče in velike obdelovance postavite podporo, da zmanjšate možnost zagozdenja rezalne plošče ali povratnega udarca.** Veliki obdelovanci se lahko zaradi lastne teže povsesijo. Pod obdelovanca je treba poleg linije reza in poleg roba obdelovanca na obeh straneh plošče postaviti podporo.
6. **Bodite še posebej pozorni, ko v obstoječe zidove ali druge slepe točke izvajate „slepe reze“.** Rezalna plošča lahko zadene v plinske, vodovodne ali električne napeljave ali predmete, ki lahko povzročijo povratni udarec.

## Varnostna opozorila za brušenje:

1. **Ne uporabljajte prevelikega brusnega papirja.** Pri zbirni brusnega papirja upoštevajte priporočile proizvajalca. Večji brusni papir, ki sega prek brusilne blazinice, predstavlja nevarnost pretrga in lahko povzroči zagozditev, trganje ali povratni udarec rezalne plošče.

## Varnostna opozorila za žično ščetkanje:

1. **Žice ščetke lahko med delovanjem odpadajo.** Ne izvajajte čezmernega pritiska na žice, da jih ne preobremenite. Žice ščetke enostavno prodrejo v lahka oblačila in/ali kožo.
2. **Če je za žično ščetkanje priporočena uporaba ščitnika zagotovite, da se žična plošča ali ščetka ne dotika ščitnika.** Zaradi obremenitev in centrifugalnih sil se lahko poveča premer žične plošče ali ščetke.

## Dodatna varnostna opozorila:

1. **Pri uporabi brusilne plošče z ugreznjenim centrom vedno uporabljajte samo posebej ojačene plošče s steklenimi vlakni.**
2. **S tem brusilnikom NIKOLI NE UPORABLJAJTE plošč za rezanje kamna.** Ta brusilnik ni namenjen za uporabo s temi vrstami plošč, saj lahko povzročijo hude telesne poškodbe.
3. **Pazite, da ne poškodujete vretena, prirobnice (še posebej na delu, kjer se stika z orodjem) ali zaskočne matice.** Poškodba teh delov lahko povzroči zlom plošče.
4. **Ko zaženete napravo, brusni nastavek ne sme biti v stiku z obdelovancem.**
5. **Pred začetkom dela na obdelovancu pustite orodje delovati nekaj časa v prostem teku.** Bodite pozorni na morebitne vibracije ali tresljaje, ki bi lahko nakazovali na nepravilno nameščeno oziroma slabo centrirano ploščo.
6. **Za brušenje uporabljajte brusni nastavek z ustreznim brusilno površino.**
7. **Orodja ne pustite delovati brez nadzora.** Dovoljeno ga je uporabljati samo ročno.
8. **Takoj po končani obdelavi se ne dotikajte obdelovanca; ta je lahko zelo vroč in lahko povzroči opekline kože.**
9. **Za pravilno namestitvev in uporabo plošč sledite navodilom proizvajalca.** Skrbno ravnajte s ploščami in jih pravilno shranjujte.
10. **Ne uporabljajte puš ali adapterjev za prilagoditev velikosti lukenj plošč.**
11. **Uporabljajte samo prirobnice, ki jih posebej za vaše orodje priporoča proizvajalec.**
12. **Pri orodjih z navojem preverite, če je navoj plošče primerno dolg, da zajame celotno dolžino vretena.**
13. **Poskrbite za ustrezno podporo obdelovanca.**
14. **Preverite, če se plošča vrti tudi potem, ko ste orodje že izklopili.**
15. **Če je v delovnem prostoru zelo vroče in vlažno ali pa je ta poln prevodnega prahu, uporabite stikalo za diferenčni tok (30 mA) in tako zagotovite varnost upravljalca.**
16. **Orodja ne uporabljajte na materialih, ki vsebujejo azbest.**

17. **Ko uporabljate rezalne plošče, jih vedno uporabljajte s ščitnikom za zbiranje prahu, kot zahtevajo lokalni predpisi.**
18. **Na rezalne plošče ne izvajajte bočnega pritiska.**
19. **Pri delu ne uporabljajte tekstilnih delovnih rokavic.** Vlakna iz tekstilnih rokavic lahko prodrejo v orodje, zaradi česar se lahko orodje poškoduje.

## SHRANITE TA NAVODILA.

**⚠ OPOZORILO:** NE dovolite, da bi zaradi udobnejšega dela ali znanja o uporabi izdelka (pridobljenega z večkratno uporabo) opustili strogo upoštevanje varnostnih zahtev v okviru pravilne uporabe orodja. ZLORABA ali neupoštevanje varnostnih zahtev v teh navodilih za uporabo lahko povzroči resne telesne poškodbe.

## Pomembna varnostna navodila za akumulatorsko baterijo

1. **Pred uporabo baterijskega vložka preberite vsa navodila in opozorilne oznake na (1) polnilniku akumulatorja, (2) akumulatorju in (3) izdelku, ki uporablja akumulator.**
2. **Ne razstavljajte baterijskega vložka.**
3. **Če se je čas delovanja občutno skrajšal, takoj prenehajte uporabljati orodje.** V nasprotnem primeru lahko pride do pregretja, morebitnih opeklin in celo eksplozije.
4. **Če pride elektrolit v stik z očmi, jih sperite s čisto vodo in takoj poiščite zdravniško pomoč.** Posledica je lahko izguba vida.
5. **Ne povzročite kratkega stika baterijskega vložka:**
  - (1) **Ne dotikajte se priključkov v kakršnim koli prevodnim materialom.**
  - (2) **Izogibajte se shranjevanju baterijskega vložka v vsebniku z drugimi kovinskimi predmeti kot so žebliji, kovanci itn.**
  - (3) **Ne izpostavljajte baterijskega vložka vodi ali dežju.**Kratek stik akumulatorja lahko povzroči velik električni tok, pregrevanje, morebitne opekline in celo okvaro.
6. **Ne shranjujte orodja in baterijskega vložka na mestih, kjer lahko temperatura doseže ali preseže 50 °C.**
7. **Ne sežigajte baterijskega vložka, tudi če je hudo poškodovan ali v celoti izpraznjen.** Baterijski vložek lahko v ognju eksplozira.
8. **Poskrbite, da akumulator ne bo izpostavljen padcem ali udarcem.**
9. **Ne uporabljajte poškodovanih akumulatorjev.**
10. **Priložene litij-ionske baterije ustrezajo zahtevam zakonodaje v zvezi z nevarnim blagom.** Za komercialne prevoze, npr. tiste, ki jih opravljajo tretje stranke in carinski posredniki, je treba upoštevati posebne zahteve v zvezi z embalažo in označevanjem.  
Med postopkom priprave na odpremo izdelka se je treba posvetovati s strokovnjakom za nevarne snovi. Pri tem upoštevajte tudi podrobnejše nacionalne predpise.

Odpрте stike oblepite z lepilnim trakom ali jih drugiče zaščitite, baterijo pa zapakirajte tako, da se v embalaži ne more premikati.

11. **Upošteвайте lokalne uredbe glede odlaganja akumulatorja.**
12. **Baterije uporabljajte le z izdelki, ki jih določi Makita.** Če namestite baterije v neskladne izdelke, lahko pride do požara, pregrevanja, eksplozije ali puščanja elektrolita.

## SHRANITE TA NAVODILA.

**⚠ POZOR:** Uporabljajte le originalne baterije Makita. Če uporabljate neoriginalne baterije Makita ali baterije, ki so bile spremenjene, lahko pride do eksplozije baterije in posledično do požara, telesnih poškodb ali materialne škode. S takšno uporabo boste tudi razveljavili garancijo Makita za orodje in polnilnik Makita.

## Nasveti za ohranjanje največje zmogljivosti akumulatorja

1. Napolnite baterijski vložek, preden se v celoti izprazni. Ko opazite, da ima orodje manjšo moč, vedno ustavite delovanje orodja in napolnite baterijski vložek.
2. Nikoli znova ne polnite popolnoma napolnjenega baterijskega vložka. Prenapolnjenje skrajša življenjsko dobo akumulatorja.
3. Baterijski vložek s sobno temperaturo polnite pri temperaturi okolja od 10 °C do 40 °C. Počakajte, da se vroč baterijski vložek pred polnjenjem ohladi.
4. Če baterijskega vložka ne uporabljate dalj časa (več kot 6 mesecev), ga napolnite.

## Pomembna varnostna navodila za brezžično enoto

1. Ne razstavljajte ali spreminjajte brezžične enote.
2. Brezžično enoto hranite izven dosega majhnih otrok. Če pride do nenamerne zaužitja, takoj poiščite zdravniško pomoč.
3. Brezžično enoto uporabljajte samo z orodji Makita.
4. Brezžične enote ne izpostavljajte dežju ali mokrim pogojem.
5. Brezžične enote ne uporabljajte na mestih, kjer temperatura presega 50 °C.
6. Brezžične enote ne upravljajte na mestih v bližini medicinskih pripomočkov, kot so srčni spodbujevalniki.
7. Brezžične enote ne upravljajte na mestih v bližini avtomatiziranih naprav. Sicer se lahko avtomatizirane naprave pokvarijo.
8. Brezžična enota lahko proizvaja elektromagnetna polja (EMF), ki uporabniku niso škodljiva.
9. Brezžična enota je natančna naprava. Poskrbite, da brezžična enota ne bo izpostavljena padcem ali udarcem.
10. Ne dotikajte se priključka brezžične enote z golimi rokami ali kovinskimi materiali.

11. **Ko nameščate brezžično enoto, vedno odstranite baterijo iz orodja.**
12. **Ko odpirate pokrov reže, se izogibajte mestu, kjer lahko prah in voda vstopita skozi režo. Dovod reže mora biti vedno čist.**
13. **Brezžično enoto vedno vstavite v pravi smeri.**
14. **Gumba za brezžično aktivacijo na brezžični enoti ne pritiskajte premočno in/ali s predmetom, ki ima oster rob.**
15. **Pri upravljanju vedno zaprite pokrov reže.**
16. **Ne odstranjujte brezžične enote iz reže, ko je orodje priključeno na napajanje.** V nasprotnem primeru lahko povzročite okvaro brezžične enote.
17. **Ne odstranite nalepke na brezžični enoti.**
18. **Na brezžično enoto ne lepите nobenih nalepk.**
19. **Brezžične enote ne puščajte na mestih, kjer lahko nastane statična elektrika ali električni šum.**
20. **Brezžične enote ne puščajte na mestih z visoko temperaturo, kot je na primer na soncu segret avto.**
21. **Brezžične enote ne puščajte na mestih, kjer je veliko prahu oziroma prašnih delcev, ali na mestih, kjer lahko nastane korozivni plin.**
22. **Zaradi nenadne spremembe temperature se lahko brezžična enota orosi. Ne uporabljajte brezžične enote, dokler se rosa popolnoma ne posuši.**
23. **Pri čiščenju brezžično enoto nežno obrišite s suho in mehko krpo. Ne uporabljajte bencina, razredčila, prevodne masti ipd.**
24. **Brezžično enoto shranjujte v priloženi škatli ali brez statični posodi.**
25. **V režo orodja lahko vstavljate smo brezžično enoto Makita in ne drugih naprav.**
26. **Ne uporabljajte orodja, če sta reža ali pokrov poškodovana. Voda, prah in umazanija v reži lahko povzročijo okvaro.**
27. **Pokrova reže ne vlecite in/ali obračajte več, kot je treba. Če se pokrov odstrani z orodja, ga znova namestite.**
28. **Zamenjajte pokrov reže, če se izgubi ali poškoduje.**

## SHRANITE TA NAVODILA.



# OPIS DELOVANJA

**⚠️ POZOR:** Pred nastavljanjem ali preizkusom delovanja orodja se prepričajte, ali je orodje izključeno in ali je akumulatorska baterija odstranjena.

## Nameščanje ali odstranjevanje akumulatorske baterije

**⚠️ POZOR:** Vedno izklopite orodje, preden namestite ali odstranite akumulatorsko baterijo.

**⚠️ POZOR:** Kadar nameščate ali odstranjujete akumulatorsko baterijo, trdno držite orodje in akumulatorsko baterijo. Če orodja in akumulatorske baterije ne držite trdno, se lahko zgodi, da vam zdrsneta iz rok, posledica pa je lahko poškodba orodja in akumulatorske baterije ter telesna poškodba.

► **SI.1:** 1. Rdeči indikator 2. Gumb 3. Baterijski vložek

Če želite odstraniti akumulatorsko baterijo, jo potisnite iz orodja, pri tem pa pomikajte gumb na sprednji strani vložka.

Akumulatorsko baterijo vstavite tako, da poravnate jeziček na bateriji z utorom na ohišju in jo potisnete v ležišče. Potisnite jo do konca, da se zaskoči. Če je rdeči indikator na zgornji strani gumba viden, pomeni, da baterija ni ustrezno zaklenjena.

**⚠️ POZOR:** Vedno namestite akumulatorsko baterijo tako, da rdeči indikator ni več viden. Če tega ne upoštevate, lahko baterija nepričakovano pade iz orodja in poškoduje vas ali osebe v neposredni bližini.

**⚠️ POZOR:** Ne nameščajte akumulatorske baterije s silo. Če se akumulatorska baterija ne zaskoči zlahka, ni pravilno vstavljena.

## Prikazuje preostalo raven napoljenosti akumulatorja

**Samo za akumulatorske baterije z indikatorjem**

► **SI.2:** 1. Indikatorne lučke 2. Gumb za preverjanje

Pritisnite gumb za preverjanje na baterijskem vložku, da preverite raven napoljenosti akumulatorja. Indikatorne lučke na kratko zasvetijo.

Indikatorne lučke			Prikaz preostale ravni napoljenosti
Sveti	Ne sveti	Utripa	
■	□	▧	
■	■	□	
■	■	□	
■	□	□	
■	□	□	
▧	□	□	Napolnite akumulator.

Indikatorne lučke			Prikaz preostale ravni napoljenosti
Sveti	Ne sveti	Utripa	
■	□	▧	Akumulator je morda okvarjen.
■	■	□	
□	□	■	

**OPOMBA:** Odvisno od pogojev uporabe in okoljske temperature se označba lahko nekoliko razlikuje od dejanske napoljenosti.

## Prikazuje preostalo raven napoljenosti akumulatorja

**Odvisno od države**

Ko vklopite orodje, indikator akumulatorja prikazuje preostalo zmogljivost akumulatorja.

► **SI.3:** 1. Indikator akumulatorja

Preostala zmogljivost akumulatorja je prikazana v naslednji tabeli.

Indikator ravni napoljenosti akumulatorja	Prikaz preostale ravni napoljenosti akumulatorja		
Sveti	Ne sveti	Utripa	
■	□	▧	od 50 % do 100 %
			od 20 % do 50 %
			od 0 % do 20 %
			Napolnite akumulator

## Zaščitni sistem orodja/akumulatorja

Orodje je opremljeno z zaščitnim sistemom za orodje/akumulator. Sistem samodejno prekine napajanje orodja, da podaljša življenjsko dobo orodja in akumulatorja. Orodje se samodejno zaustavi med delovanjem, če orodje ali akumulator delujeta pod naslednjimi pogoji:

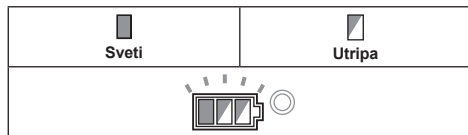
### Zaščita pred preobremenitvijo

Kadar orodje uporabljate na način, ki povzroča uporabo neobičajno visokega toka, se orodje samodejno ustavi brez kakršnih koli znakov. V tem primeru izklopite orodje in prenehajte izvajati delo, ki je povzročilo preobremenitev orodja. Nato vklopite orodje in ga znova zaženite.



## Zaščita pred pregrevanjem

Če je orodje pregreto, se samodejno ustavi in indikator akumulatorja prikazuje naslednje stanje. V tem primeru počakajte, da se orodje ohladi, preden ga znova vklopite.



Če se orodje ne vklopi, je akumulator morda pregret. V tem primeru pustite, da se akumulator ohladi, preden znova zaženete orodje.

## Zaščita pred izpraznjenjem

Ko je zmogljivost akumulatorja prenizka, se orodje samodejno ustavi. V tem primeru odstranite akumulator iz orodja in ga napolnite.

## Sproščanje zaščitne zapore

Kadar zaščitni sistem nenehno deluje, je orodje zaklepano in indikator akumulatorja prikazuje naslednje stanje.

V tem primeru se orodje ne zažene, tudi če ga izklopite in znova vklopite. Za sprostitve zaščitne zapore odstranite akumulator, nastavite ga na polnilnik akumulatorja in počakajte, dokler se polnjenje ne zaključi.



## Zapora vretena

Pritisnite zaporo vretena, da preprečite vrtenje med nameščanjem ali odstranjevanjem nastavka.

► SI.4: 1. Zapora vretena

**OBVESTILO:** Nikoli ne sprožite zapore vretena, ko se to premika. Orodje se lahko poškoduje.

## Delovanje stikala

**⚠ POZOR:** Pred nameščanjem akumulatorske baterije v orodje se vedno prepričajte, da drsno stikalo pravilno deluje in da se vrača v položaj za izklop „O“, ko ga spustite.

**⚠ POZOR:** Stikalo lahko zaklenete v položaju za vklop „ON“ za lažje upravljanje med podaljšano uporabo. Bodite previdni pri zaklepanju orodja v položaju za vklop „ON“ in dobro držite orodje.

Za zagon orodja povlecite drsno stikalo proti položaju za vklop „I (ON)“, tako da potisnete zadnji del drsnega stikala. Za neprekinjeno delovanje pritisnite sprednji del drsnega stikala, da ga zapahnete.

Za ustavitev orodja pritisnite zadnji del drsnega stikala, nato pa ga premaknite v položaj „O (IZKLOP)“.

► SI.5: 1. Dršno stikalo

## Gumb za nastavev hitrosti

Hitrost vrtenja orodja lahko spreminjate z obračanjem gumba za nastavev hitrosti. V spodnji tabeli je prikazana številka na gumbu in ustreza hitrost vrtenja.

► SI.6: 1. Gumb za nastavev hitrosti

Številka	Hitrost
1	3.000 min <sup>-1</sup>
2	4.500 min <sup>-1</sup>
3	6.000 min <sup>-1</sup>
4	7.500 min <sup>-1</sup>
5	8.500 min <sup>-1</sup>

**OBVESTILO:** Če orodje dalj časa neprekinjeno deluje z nizkim številom vrtljajev, pride do preobremenitve motorja in okvare stroja.

**OBVESTILO:** Pri spreminjanju hitrosti z vrednosti „5“ na vrednost „1“ gumb obračajte v nasprotni smeri urinega kazalca. Gumba ne obračajte na silo.

## Funkcija samodejne spremembe hitrosti

► SI.7: 1. Indikator načina

Stanje indikatorja načina	Način delovanja
	Način z visoko hitrostjo
	Način z visokim navorom

To orodje lahko deluje v „načinu z visoko hitrostjo“ in „načinu z visokim navorom“. Samodejno spremeni način delovanja glede na delovno obremenitev. Kadar med uporabo zasveti indikator načina, je orodje v načinu z visokim navorom.

## Funkcija za preprečevanje nenamernega ponovnega zagona

Tudi če je akumulatorska baterija vstavljena v orodje in je drsno stikalo v položaju za vklop „I“, se orodje ne zažene.

Za zagon orodja najprej povlecite drsno stikalo proti položaju za izklop „O“, nato pa ga povlecite proti položaju za vklop „I“.

## Funkcija elektronskega nadzora navora

Orodje elektronsko zazna, kdaj obstaja tveganje, da se plošča ali dodatna oprema zagodzi. V teh primerih se orodje samodejno izklopi, da se prepreči nadaljnje vrtenje vretena (ne prepreči povratnega udarca).

Za ponovni zagon orodja ga najprej izklopite, odstranite razlog nenadnega znižanja hitrosti vrtenja in nato vklopite orodje.

## Funkcija mehkega zagona

Funkcija mehkega zagona omili reakcijo pri vžigu.

## Električna zavora

**Samo za model DGA413/DGA414/DGA463/DGA464/DGA513/DGA514**

Električna zavora se aktivira po izklopu orodja. Zavora ne deluje, kadar je napajanje izklopljeno, npr. ko se akumulator nenamerno odstrani, stikalo pa še vedno vklopljeno.

## MONTAŽA

**⚠ POZOR:** Pred nastavljanjem ali preizkusom delovanja orodja se prepričajte, ali je orodje izključeno in ali je akumulatorska baterija odstranjena.

### Nameščanje stranskega ročaja (ročaj)

**⚠ POZOR:** Pred uporabo se vedno prepričajte, da je stranski ročaj varno nameščen.

Trdno privijte stranski ročaj na orodje, kot je prikazano na sliki.

► SI.8

### Nameščanje ali odstranjevanje ščitnika (za rezalne plošče z ugreznjenim centrom, zaporne plošče, mehke rezalne plošče, ploščate žične ščetke/abrazivne rezalne plošče, diamantne rezalne plošče)

**⚠ OPOZORILO:** Kadar uporabljate rezalno ploščo z ugreznjenim centrom, zaporno ploščo, mehko rezalno ploščo ali ploščato žično ščetko, je treba ščitnik namestiti na orodje tako, da je zaprta stran ščitnika vedno obrnjena proti upravljavcu.

**⚠ OPOZORILO:** Ko uporabljate abrazivne rezalne/diamantne plošče, uporabljajte samo posebni ščitnik, narejeno za uporabo z rezalnimi ploščami.

(V nekaterih evropskih državah lahko med uporabo diamantne rezalne plošče uporabljate običajni ščitnik. Upošteвайте predpise v vaši državi.)

### Za orodje s ščitnikom plošče z blokirnim vijakom

Namestite ščitnik tako, da bodo izbokline na jermenu ščitnika poravnane z zarezi na ležajnem ohišju. Nato zavrtite ščitnik rezalne plošče na takšen kot, da lahko zaščiti upravljavca glede na opravilo. Šestrobi vijak morate trdno zategniti.

Za odstranjevanje ščitnika izvedite postopek namestitve v obratnem vrstnem redu.

► SI.9: 1. Ščitnik za plošče 2. Ležajno ohišje 3. Vijak

### Za orodje s ščitnikom s spojno ročico

Razrahljajte vijak in nato povlecite ročico v smeri puščice. Namestite ščitnik tako, da bodo izbokline na jermenu ščitnika poravnane z zarezi na ležajnem ohišju. Nato zavrtite ščitnik rezalne plošče na takšen kot, da lahko zaščiti upravljavca glede na opravilo.

► SI.10: 1. Ščitnik za plošče 2. Ležajno ohišje 3. Vijak 4. Ročica

Povlecite ročico v smeri puščice. Nato pričvrstite vijak in tako privijte ščitnik. Šestrobi vijak morate trdno zategniti. Kot ščitnika lahko prilagodite z ročico.

► SI.11: 1. Vijak 2. Ročica

Za odstranjevanje ščitnika izvedite postopek namestitve v obratnem vrstnem redu.

### Nameščanje ali odstranjevanje rezalne plošče z ugreznjenim centrom ali zaporne plošče

#### Dodatna oprema

**⚠ OPOZORILO:** Kadar uporabljate rezalno ploščo z ugreznjenim centrom ali zaporno ploščo, je treba ščitnik namestiti na orodje tako, da je zaprta stran ščitnika vedno obrnjena proti upravljavcu.

**⚠ POZOR:** Nastavek notranje prirobnice se mora povsem ujemati z notranjim premerom plošče z ugreznjenim centrom ali zaporno ploščo. Namestitev notranje prirobnice na napačno stran lahko povzroči nevarne vibracije.

Notranjo prirobnico namestite na vreteno.

Pazite, da pritrдите udrti del notranje prirobnice na ravni del na dnu vretena.

Namestite ploščo z ugreznjenim centrom ali zaporno ploščo na notranjo prirobnico in privijte zaskočno matico na vreteno.

► SI.12: 1. Zaskočna matica 2. Plošča z ugreznjenim centrom 3. Notranja prirobnica 4. Nastavek

Za zategovanje zaskočne matice trdno pritisnite zaporo vretena, da se vreteno ne more vrteti, nato pa uporabite ključ za zaskočno matico in trdno privijte v smeri urnega kazalca.

► SI.13: 1. Ključ za zaskočno matico 2. Zapora vretena

Za odstranjevanje plošče izvedite postopek namestitve v obratnem vrstnem redu.

### Namestitev ali odstranitev mehke rezalne plošče

#### Dodatna oprema

**⚠ OPOZORILO:** Kadar je na orodju mehka rezalna plošča, vedno uporabljajte priloženi ščitnik. Ščitnik uporabnika varuje pred rezalno ploščo, ki se lahko med delom razleti.

► SI.14: 1. Zaskočna matica 2. Mehka rezalna plošča 3. Podporna blazinica 4. Notranja prirobnica

Upošteвайте navodila za rezalne plošče z ugreznjenim centrom, vendar na ploščo namestite tudi podporno blazinico. Vrtni red sestavljanja najdete na strani s priborom v tem priročniku.

## Namestitev ali odstranitev brusne plošče

### Dodatna oprema

**OPOMBA:** Uporabite ustrezni komplet za glajenje, naveden v navodilih za uporabo. Komplet ni priložen orodju, temveč ga je treba dokupiti.

### Za model 100 mm

► **Sl.15:** 1. Zaskočna matica za brušenje 2. Brusna plošča 3. Gumeni nastavek 4. Notranja prirobnica

1. Notranjo prirobnico namestite na vreteno.
2. Namestite gumeni nastavek na vreteno.
3. Namestite ploščo na gumeni nastavek in privijte zaskočno matico na vreteno.
4. Zadržite vreteno z zaporo vretena in čvrsto privijte zaskočno matico za brušenje v smeri urnega kazalca s ključem za zaskočno matico.

Za odstranjevanje plošče izvedite postopek namestitve v obratnem vrstnem redu.

### Za model 115 mm/125 mm

► **Sl.16:** 1. Zaskočna matica za brušenje 2. Brusna plošča 3. Gumeni nastavek

1. Namestite gumeni nastavek na vreteno.
2. Namestite ploščo na gumeni nastavek in privijte zaskočno matico na vreteno.
3. Zadržite vreteno z zaporo vretena in čvrsto privijte zaskočno matico za brušenje v smeri urnega kazalca s ključem za zaskočno matico.

Za odstranjevanje plošče izvedite postopek namestitve v obratnem vrstnem redu.

## Povezovanje sesalnika

### Dodatna oprema

**⚠ OPOZORILO:** Nikoli ne sesajte kovinskih delcev, nastalih pri brušenju/rezanju/peskanju. Kovinski delci, ki nastanejo ob navedenih delih, so tako vroči, da lahko vžgejo prah in filter znotraj sesalnika za prah.

Da preprečite nabiranje prahu v okolju zaradi zidarskega rezanja, uporabite ščitnik za plošče za zaščito pred prahom in sesalnik za prah. Za informacije o sestavljanju in uporabi ščitnika za plošče za zaščito pred prahom glejte navodila za uporabo, priložena ščitniku za zaščito pred prahom.

- **Sl.17:** 1. Ščitnik za plošče za zaščito pred prahom  
2. Cev sesalnika za prah

## UPRAVLJANJE

**⚠ OPOZORILO:** Nikoli ni potrebno pritiskati orodja. Teža orodja zagotavlja zadosten pritisk. Prisilno in čezmerno pritiskanje lahko povzroči nevaren zlom plošče.

**⚠ OPOZORILO:** VEDNO zamenjajte ploščo, če vam orodje med brušenjem pade na tla.

**⚠ OPOZORILO:** NIKOLI ne udarjajte s ploščo po obdelovancu.

**⚠ OPOZORILO:** Preprečite poskakovanje in zagodenje plošče, zlasti med obdelovanjem kotov, ostrih robov itd. To lahko povzroči izgubo nadzora in povratni udarec.

**⚠ OPOZORILO:** NIKOLI ne uporabljajte orodja z rezili za rezanje lesa in drugimi rezili. Takšna rezila lahko pri uporabi z brusilnikom pogosto odsakujejo in povzročijo izgubo nadzora, ki povzroči telesne poškodbe.

**⚠ POZOR:** Nikoli ne vključite orodja, ko je v stiku z obdelovancem, saj lahko poškoduje upravljavca.

**⚠ POZOR:** Med delovanjem vedno nosite varovalna očala ali ščitnik obraza.

**⚠ POZOR:** Po uporabi vedno izklopite orodje in počakajte, da se plošča popolnoma ustavi, preden orodje odložite.

**⚠ POZOR:** VEDNO trdno držite orodje z eno roko za ohišje in z drugo za stranski ročaj.

## Brušenje

### ► Sl.18

Vklopite stroj in položite rezalno ploščo ali ploščo na obdelovanca.

Na splošno držite rob plošče pod kotom približno 15° na površino obdelovanca.

V času preboja z novo rezalno ploščo brusilnika ne uporabljajte v smeri naprej, saj lahko zareže v obdelovanca. Ko je rob plošče zaobljen zaradi obrabe, lahko ploščo premikate tako v smeri naprej kot tudi v smeri nazaj.

## Uporaba z abrazivnimi rezalnimi/ diamantnimi ploščami

### Dodatna oprema

**⚠ OPOZORILO:** Ko uporabljate abrazivne rezalne/diamantne plošče, uporabljajte samo posebni ščitnik, narejeno za uporabo z rezalnimi ploščami.

(V nekaterih evropskih državah lahko med uporabo diamantne rezalne plošče uporabljate običajni ščitnik. Upošteвайте predpise v vaši državi.)

**⚠ OPOZORILO:** NIKOLI ne uporabljajte rezalne plošče za bočno brušenje.

**⚠ OPOZORILO:** Rezalne plošče ne „zagazdite“ ali preobremenite. Ne skušajte narediti preglobokih rezov. Preobremenjevanje plošče povečuje možnost zvijanja ali zagozdenja plošče v obdelovancu ter s tem možnost povratnega udarca ali zloma plošče in pregrevanja motorja.

**⚠ OPOZORILO:** Rezanja ne začnite v obdelovancu. Najprej počakajte, da plošča doseže polno hitrost, in potem pomaknite orodje naprej po površini obdelovanca. Če začnete z rezanjem v obdelovancu, se lahko plošča zagozdi, lahko pa nastane tudi povratni udarec.

**⚠ OPOZORILO:** Med rezanjem ne spreminjajte kota plošče. Bočni pritisk na rezalne ploščo (kot pri brušenju) bo povzročil razpoke in zlom plošče in s tem hude telesne poškodbe.

**⚠ OPOZORILO:** Diamantne rezalne plošče uporabljajte pravokotno na rezani material.

- **SI.19:** 1. Zaskočna matica 2. Abrazivna rezalna plošča/diamantna plošča 3. Notranja prirobnica 4. Ščitnik za abrazivno/diamantno rezalno ploščo

Kot pri nameščanju tudi tukaj upoštevajte navodila za rezalno ploščo z ugreznjenim centrom.

Smer za namestitev zaskočne matice in notranje prirobnice se razlikuje glede na tip in debelino plošče. Glejte spodaj navedene številke.

### Za model 100 mm

Pri nameščanju abrazivne rezalne plošče:

- **SI.20:** 1. Zaskočna matica 2. Abrazivna rezalna plošča (tanjša od 4 mm) 3. Abrazivna rezalna plošča (debelina 4 mm ali več) 4. Notranja prirobnica

Pri nameščanju diamantne rezalne plošče:

- **SI.21:** 1. Zaskočna matica 2. Diamantna rezalna plošča (tanjša od 4 mm) 3. Diamantna rezalna plošča (debelina 4 mm ali več) 4. Notranja prirobnica

### Za model 115 mm/125 mm

Pri nameščanju abrazivne rezalne plošče:

- **SI.22:** 1. Zaskočna matica 2. Abrazivna rezalna plošča (tanjša od 4 mm) 3. Abrazivna rezalna plošča (debelina 4 mm ali več) 4. Notranja prirobnica

Pri nameščanju diamantne rezalne plošče:

- **SI.23:** 1. Zaskočna matica 2. Diamantna rezalna plošča (tanjša od 4 mm) 3. Diamantna rezalna plošča (debelina 4 mm ali več) 4. Notranja prirobnica

## Uporaba lončaste žične ščetke

### Dodatna oprema

**⚠ POZOR:** Preden pričnete z uporabo lončaste žične ščetke, orodje najprej pustite nekaj trenutkov delovati v prostem teku, ob tem pa orodje obrnite stran od morebitnih prisotnih.

**⚠ POZOR:** Ne uporabljajte poškodovane ali izrabljene lončaste žične ščetke. Uporaba poškodovane ščetke predstavlja nevarnost poškodb, ki lahko nastanejo zaradi stika z zlomljenimi žicami.

- **SI.24:** 1. Lončasta žična ščetka

Odstranite akumulatorsko baterijo iz orodja in jo obrnite na glavo, s čimer omogočite preprost dostop do vretena.

Z vretena nato odstranite vse nastavke. Na vreteno namestite lončasto žično ščetko in jo privijte s priloženim ključem.

**OBVESTILO:** Ne uporabljajte prekomerne sile, saj lahko v tem primeru pri uporabi ščetke pride do pretiranega upogibanja žic. To lahko povzroči predčasen prelom.

## Uporaba ploščate žične ščetke

### Dodatna oprema

**⚠ POZOR:** Preden pričnete z uporabo ploščate žične ščetke, orodje najprej pustite nekaj trenutkov delovati v prostem teku, ob tem pa orodje obrnite stran od morebitnih prisotnih.

**⚠ POZOR:** Ne uporabljajte poškodovane ali izrabljene ploščate žične ščetke. Uporaba poškodovane ploščate žične ščetke predstavlja nevarnost poškodb, ki lahko nastanejo zaradi stika z zlomljenimi žicami.

**⚠ POZOR:** Pri uporabi ploščatih žičnih ščetk **VEDNO** namestite ustrezen ščitnik in pri tem nastavite primerno oddaljenost. Ščitnik uporabnika varuje pred rezalno ploščo, ki se lahko med delom razleti.

- **SI.25:** 1. Ploščata žična ščetka

Odstranite akumulatorsko baterijo iz orodja in jo obrnite na glavo, s čimer omogočite preprost dostop do vretena.

Z vretena nato odstranite vse nastavke. Na vreteno namestite ploščato žično ščetko in jo privijte s priloženim ključem.

**OBVESTILO:** Ne uporabljajte prekomerne sile, saj lahko v tem primeru pri uporabi ploščate žične ščetke pride do pretiranega upogibanja žic. To lahko povzroči predčasen prelom.

# FUNKCIJA BREŽIČNE AKTIVACIJE

Samo za DGA412/DGA414/DGA462/DGA464/  
DGA512/DGA514

## Kaj lahko storite s funkcijo brežične aktivacije

Funkcija brežične aktivacije omogoča nemoteno in udobno upravljanje. Če na orodje pritrđite podprt sesalnik za prah, lahko sesalnik za prah zaženete samodejno z upravljanjem stikala na orodju.

► **SI.26**

Za uporabo funkcije brežične aktivacije pripravite naslednje stvari:

- brežično enoto,
- sesalnik za prah, ki podpira funkcijo brežične aktivacije.

Pregled nastavitve funkcije brežične aktivacije je sledeč. Za podrobne postopke glejte posamezni razdelek.

1. Namešćanje brežične enote
2. Registracija orodja za sesalnik za prah
3. Zagon funkcije brežične aktivacije

## Namešćanje brežične enote

**⚠ POZOR:** Pri namešćanju brežične enote položite orodje na ravno in stabilno površino.

**OBVESTILO:** Z orodja očistite prah in umazano, preden namestite brežično enoto. Prah in umazanija lahko povzročita okvaro, če prideta v režo brežične enote.

**OBVESTILO:** Okvaro zaradi statike preprečite tako, da se dotaknete materiala za sprostitev statičnega naboja, kot je kovinski del orodja, preden primete brežično enoto.

**OBVESTILO:** Pri namešćanju brežične enote se vedno prepričajte, da je brežična enota vstavljena v pravi smeri in je pokrov popolnoma zaprt.

1. Odprite pokrov na orodju, kot je prikazano na sliki.
- **SI.27:** 1. Pokrov

2. Vstavite brežično enoto v režo in zaprite pokrov.

Ko vstavljate brežično enoto, poravnajte izbokline z vbočenimi deli v reži.

- **SI.28:** 1. Brežična enota 2. Izboklina 3. Pokrov 4. Vbočen del

Ko odstranjujete brežično enoto, počasi odprite pokrov. Kavljí na zadnji strani pokrova bodo dvignili brežično enoto, ko dvignete pokrov.

- **SI.29:** 1. Brežična enota 2. Kavelj 3. Pokrov

Ko odstranite brežično enoto, jo shranite v priloženi škatli ali brez statični posodi.

**OBVESTILO:** Pri odstranjevanju brežične enote vedno uporabite kavljí na zadnji strani pokrova. Če se kavljí ne zapnejo za brežično enoto, popolnoma zaprite pokrov in ga znova počasi odprite.

## Registracija orodja za sesalnik za prah

**OPOMBA:** Za registracijo orodja je potreben sesalnik za prah Makita, ki podpira funkcijo brežične aktivacije.

**OPOMBA:** Pred registracijo orodja najprej namestite brežično enoto v orodje.

**OPOMBA:** Med registracijo orodja ne pritiskajte sprožilca ali stikala za vklop/izklop na sesalniku za prah.

**OPOMBA:** Preberite navodila za uporabo sesalnika za prah.

Če želite aktivirati sesalnik za prah z upravljanjem stikala na orodju, pred tem zaključite registracijo orodja.

1. Namestite baterije v sesalnik za prah in orodje.

2. Stikalo za stanje pripravljenosti na sesalniku za prah nastavite na položaj „AUTO“.

► **SI.30:** 1. Stikalo za stanje pripravljenosti

3. Držite gumb za brežično aktivacijo na sesalniku za prah 3 sekunde, dokler lučka brežične aktivacije ne utripa zeleno. Nato enako storite z gumbom za brežično aktivacijo na orodju.

► **SI.31:** 1. Gumb za brežično aktivacijo 2. Lučka brežične aktivacije

Če se sesalnik za prah in orodje uspešno povežeta, lučki brežične aktivacije za 2 sekundi zasvetita zeleno in začneta utripati modro.

**OPOMBA:** Lučki brežične aktivacije nehata utripati zeleno po 20 sekundah. Pritisnite gumb za brežično aktivacijo na orodju, medtem ko lučka brežične aktivacije na čistilniku utripa. Če lučka brežične aktivacije ne utripa zeleno, za kratek čas znova pridržite gumb za brežično aktivacijo.

**OPOMBA:** Če izvajate več kot dve registraciji orodja za sesalnik za prah, končajte registracijo orodja eno za drugo.

## Zagon funkcije brežične aktivacije

**OPOMBA:** Dokončajte registracijo orodja za sesalnik za prah pred brežično aktivacijo.

**OPOMBA:** Preberite navodila za uporabo sesalnika za prah.

Ko registrirate orodje s sesalnikom za prah, sesalnik za prah samodejno deluje z upravljanjem stikala na orodju.

1. Namestite brežično enoto v orodje.

2. Cev sesalnika za prah priključite na orodje.

► **SI.32**

3. Stikalo za stanje pripravljenosti na sesalniku za prah nastavite na položaj „AUTO“.

► **SI.33:** 1. Stikalo za stanje pripravljenosti

4. Na kratko pritisnite gumb za brežično aktivacijo na orodju. Lučka brežične aktivacije utripa modro.

► **SI.34:** 1. Gumb za brežično aktivacijo 2. Lučka brežične aktivacije

5. Povlecite sprožilec orodja. Preverite, ali sesalnik za prah deluje, ko povlečete sprožilec.

Če želite zaustaviti brežično aktivacijo sesalnika za prah, pritisnite gumb za brežično aktivacijo na orodju.

**OPOMBA:** Lučka brezžične aktivacije na orodju bo nehala utripati modro, ko orodje ne deluje 2 uri. V tem primeru nastavite stikalo za stanje pripravljenosti na sesalniku za prah na položaj „AUTO“ in znova pritisnite gumb za brezžično aktivacijo na orodju.

**OPOMBA:** Sesalnik za prah se zažene/zaustavi z zamikom. Sesalnik za prah zazna upravljanje stikala na orodju s časovnim zamikom.

**OPOMBA:** Domet brezžične enote se lahko razlikuje glede na pogoje lokacije in okolice.

**OPOMBA:** Kadar sta z enim sesalnikom za prah registrirana več kot dva orodja, se lahko sesalnik za prah zažene tudi, če ne povlečete sprožilca, ker funkcijo brezžične aktivacije uporablja drug uporabnik.

## Opis stanja lučke brezžične aktivacije

### ► SI.35: 1. Lučka brezžične aktivacije

Lučka brezžične aktivacije prikazuje stanje funkcije brezžične aktivacije. Glejte spodnjo tabelo glede pomena stanja lučke.

Stanje	Lučka brezžične aktivacije				Opis
	Barva	<input type="checkbox"/> Sveti	<input type="checkbox"/> Utripa	Trajanje	
Pripravljenost	Modra	<input checked="" type="checkbox"/>		2 uri	Brezžična aktivacija sesalnika za prah je na voljo. Lučka se samodejno ugasne, ko orodje ne deluje 2 uri.
		<input type="checkbox"/>		Ko orodje deluje.	Brezžična aktivacija sesalnika za prah je na voljo in orodje deluje.
Registracija orodja	Zelena	<input checked="" type="checkbox"/>		20 sekund	Pripravljeno na registracijo orodja. Čakanje na registracijo sesalnika za prah.
		<input type="checkbox"/>		2 sekundi	Registracija orodja je končana. Lučka brezžične aktivacije začne utripati modro.
Preklic registracije orodja	Rdeča	<input checked="" type="checkbox"/>		20 sekund	Pripravljeno na preklic registracije orodja. Čakanje na preklic pri sesalniku za prah.
		<input type="checkbox"/>		2 sekundi	Preklic registracije orodja je končan. Lučka brezžične aktivacije začne utripati modro.
Drugo	Rdeča	<input type="checkbox"/>		3 sekunde	Brezžična enota je priključena in funkcija brezžične aktivacije se zaganja.
	Ne sveti	-		-	Brezžična aktivacija sesalnika za prah je zaustavljena.

## Preklic registracije orodja za sesalnik za prah

Za preklic registracije orodja za sesalnik za prah izvedite naslednji postopek.

1. Namestite baterije v sesalnik za prah in orodje.
2. Stikalo za stanje pripravljenosti na sesalniku za prah nastavite na položaj „AUTO“.

► **SI.36:** 1. Stikalo za stanje pripravljenosti

3. Držite gumb za brezžično aktivacijo na sesalniku za prah 6 sekund. Lučka brezžične aktivacije utripa zeleno in zasveti rdeče. Nato storite enako z gumbom za brezžično aktivacijo na orodju.

► **SI.37:** 1. Gumb za brezžično aktivacijo 2. Lučka brezžične aktivacije

Če je preklic uspešen, lučki brezžične aktivacije za 2 sekundi zasvetita rdeče in začneta utripati modro.

**OPOMBA:** Lučki brezžične aktivacije nehata utripati rdeče po 20 sekundah. Pritisnite gumb za brezžično aktivacijo na orodju, medtem ko lučka brezžične aktivacije na čistilniku utripa. Če lučka brezžične aktivacije ne utripa rdeče, za kratek čas znova pridržite gumb za brezžično aktivacijo.

## Odpravljanje težav s funkcijo brezžične aktivacije

Preden zahtevate popravilo, izvedite lasten pregled. Če naletite na težavo, ki ni pojasnjena v navodilih, ne poskušajte razstavljati orodja. Namesto tega se obrnite na pooblaščen servis Makita. Pri popravljenih vedno uporabljajte nadomestne dele Makita.

Neobičajno stanje	Možni vzroki (okvare)	Ukrep
Lučka brezžične aktivacije ne sveti/ utripa.	Brezžična enota ni nameščena v orodju. Brezžična enota ni pravilno nameščena v orodju.	Brezžično enoto namestite pravilno.
	Priključek brezžične enote in/ali reža sta umazana.	Nežno obrišite prah in umazanijo s priključka brezžične enote in očistite režo.
	Niste pritisnili gumba za brezžično aktivacijo na orodju.	Na kratko pritisnite gumb za brezžično aktivacijo na orodju.
	Stikalo za stanje pripravljenosti na sesalniku za prah ni nastavljeno na položaj „AUTO“.	Stikalo za stanje pripravljenosti na sesalniku za prah nastavite na položaj „AUTO“.
	Ni napajanja	Orodje in sesalnik za prah priključite na napajanje.
Registracije orodja/preklica registracije orodja ni mogoče končati uspešno.	Brezžična enota ni nameščena v orodju. Brezžična enota ni pravilno nameščena v orodju.	Brezžično enoto namestite pravilno.
	Priključek brezžične enote in/ali reža sta umazana.	Nežno obrišite prah in umazanijo s priključka brezžične enote in očistite režo.
	Stikalo za stanje pripravljenosti na sesalniku za prah ni nastavljeno na položaj „AUTO“.	Stikalo za stanje pripravljenosti na sesalniku za prah nastavite na položaj „AUTO“.
	Ni napajanja	Orodje in sesalnik za prah priključite na napajanje.
	Neppravilno delovanje	Na kratko pritisnite gumb za brezžično aktivacijo in znova izvedite registracijo/preklic registracije orodja.
	Orodje in sesalnik za prah sta oddaljena drug od drugega (izven dometa).	Približajte orodje in sesalnik za prah. Največji doomet je približno 10 m, vendar se lahko razlikuje glede na pogoje.
	Pred dokončanjem registracije/preklica registracije orodja: – povlekli ste sprožilec na orodju ali; – vklopili ste gumb za vklop/izklop sesalnika za prah.	Na kratko pritisnite gumb za brezžično aktivacijo in znova izvedite registracijo/preklic registracije orodja.
	Postopek registracije orodja za orodje ali sesalnik za prah se ni dokončal.	Registracijo orodja izvedite istočasno za orodje in sesalnik za prah.
Radijske motnje drugih naprav, ki proizvajajo zelo intenzivne radijske valove.	Orodje in sesalnik za prah hranite stran od naprav, kot so naprave Wi-Fi in mikrovalovne pečice.	



Neobičajno stanje	Možni vzroki (okvare)	Ukrep
Sesalnik za prah ne deluje z upravljanjem stikala na orodju.	Brezžična enota ni nameščena v orodju. Brezžična enota ni pravilno nameščena v orodju.	Brezžično enoto namestite pravilno.
	Priključek brezžične enote in/ali reža sta umazana.	Nežno obrišite prah in umazanijo s priključka brezžične enote in očistite režo.
	Niste pritisnili gumba za brezžično aktivacijo na orodju.	Na kratko pritisnite gumb za brezžično aktivacijo in se prepričajte, da lučka brezžične aktivacije utripa modro.
	Stikalo za stanje pripravljenosti na sesalniku za prah ni nastavljeno na položaj „AUTO“.	Stikalo za stanje pripravljenosti na sesalniku za prah nastavite na položaj „AUTO“.
	S sesalnikom za prah je registriranih več kot 10 orodij.	Znova izvedite registracijo orodja. Če je s sesalnikom za prah registriranih več kot 10 orodij, se prvo registrirano orodje samodejno prekliče.
	Sesalnik za prah je izbrisal vse registracije orodja.	Znova izvedite registracijo orodja.
	Ni napajanja	Orodje in sesalnik za prah priključite na napajanje.
	Orodje in sesalnik za prah sta oddaljena drug od drugega (izven dometa).	Približajte orodje in sesalnik za prah. Največji doomet je približno 10 m, vendar se lahko razlikuje glede na pogoje.
Sesalnik za prah deluje, ko niste povlekli sprožilca orodja.	Brezžično aktivacijo sesalnika za prah uporabljajo drugi uporabniki s svojimi orodji.	Orodje in sesalnik za prah hranite stran od naprav, kot so naprave Wi-Fi in mikrovalovne pečice. Izklopite gumb za brezžično aktivacijo na drugih orodjih ali prekličite registracijo drugih orodij.

## VZDRŽEVANJE

**⚠ POZOR:** Preden se lotite pregledovanja ali vzdrževanja orodja, se vedno prepričajte, da je orodje izklopljeno in akumulatorska baterija odstranjena.

**OBVESTILO:** Nikoli ne uporabljajte bencina, razredčila, alkohola ali podobnega sredstva. V tem primeru se lahko orodje razbarva ali deformira oziroma lahko nastanejo razpoke.

## Čiščenje prezračevalnih rež

Orodje in prezračevalne reže morajo biti čiste. Prezračevalne reže orodja čistite redno ali ko so ovirane.

► **SI.38:** 1. Izpustna reža 2. Vhodna reža

Odstranite protiprašni pokrov s prezračevalnika in ga očistite za nemoteno kroženje zraka.

► **SI.39:** 1. Protiprašni pokrov

**OBVESTILO:** Protiprašni pokrov očistite, kadar je zamašen s prahom ali tujki. Z nadaljnjo uporabo z zamašenim protiprašnim pokrovom boste poškodovali orodje.



# DODATNA OPREMA

**⚠ POZOR:** Ta dodatni pribor ali pripomočki so predvideni za uporabo z orodjem Makita, ki je opisano v teh navodilih za uporabo. Pri uporabi drugega pribora ali pripomočkov obstaja nevarnost telesnih poškodb. Dodatni pribor ali pripomočke uporabljajte samo za navedeni namen.

Za več informacij o dodatni opremi se obrnite na najbližji pooblaščen servis za orodja Makita.

- Originalna akumulator in polnilnik Makita
- Brezžična enota (za modele s funkcijo brezžične aktivacije)

► **SI.40**

-	Model 100 mm	Model 115 mm	Model 125 mm
1	Ročaj 36		
2	Ščitnik (za brusilno ploščo)		
3	Notranja prirobnica		
4	Rezalna plošča z ugreznjenim centrom/zaporna plošča		
5	Zaskočna matica		
6	Podporna blazinica		
7	Mehka rezalna plošča		
8	Notranja prirobnica in gumeni nastavki 76	Gumeni nastavki 100	Gumeni nastavki 115
9	Brusna plošča		
10	Zaskočna matica za brušenje		
11	Ploščata žična ščetka		
12	Lončasta žična ščetka		
13	Ščitnik (za rezalno ploščo) *1		
14	Abrazivna rezalna plošča/diamantna plošča		
15	Ščitnik za plošče za zaščito pred prahom		
-	Ključ za zaskočno matico		

**OPOMBA:** \*1 V nekaterih evropskih državah lahko pri uporabi diamantnega rezila uporabite običajni ščitnik namesto posebnega, ki pokriva obe strani plošče. Upoštevajte predpise v svoji državi.

**OPOMBA:** Nekateri predmeti na seznamu so lahko priloženi orodju kot standardna dodatna oprema. Lahko se razlikujejo od države do države.

## SPECIFIKIMET

Modeli:	DGA411	DGA412	DGA413	DGA414
Diametri i diskut	100 mm (4")			
Trashësia maks. e diskut	6,4 mm			
Filetimi i boshtit	M10			
Shpejtësia nominale (n)	8 500 min <sup>-1</sup>			
Gjatësia totale	382 mm			
Tensioni nominal	D.C. 18 V			
Pesha neto	2,2 - 2,8 kg			
Freni elektrik	-		✓	
Funksioni i aktivizimit të lidhjes me valë	-	✓	-	✓

Modeli:	DGA461	DGA462	DGA463	DGA464
Diametri i diskut	115 mm (4-1/2")			
Trashësia maks. e diskut	7,2 mm			
Filetimi i boshtit	M14 ose 5/8" (sipas shtetit)			
Shpejtësia nominale (n)	8 500 min <sup>-1</sup>			
Gjatësia totale	382 mm			
Tensioni nominal	D.C. 18 V			
Pesha neto	2,3 - 3,0 kg			
Freni elektrik	-		✓	
Funksioni i aktivizimit të lidhjes me valë	-	✓	-	✓

Modeli:	DGA511	DGA512	DGA513	DGA514
Diametri i diskut	125 mm (5")			
Trashësia maks. e diskut	7,2 mm			
Filetimi i boshtit	M14 ose 5/8" (sipas shtetit)			
Shpejtësia nominale (n)	8 500 min <sup>-1</sup>			
Gjatësia totale	382 mm			
Tensioni nominal	D.C. 18 V			
Pesha neto	2,3 - 3,0 kg		2,4 - 3,0 kg	
Freni elektrik	-		✓	
Funksioni i aktivizimit të lidhjes me valë	-	✓	-	✓

- Për shkak të programit tonë të vazhdueshëm të kërkim-zhvillimit, specifikimet që jepen këtu mund të ndryshojnë pa dhënë njoftim.
- Specifikimet mund të ndryshojnë nga njëri shtet në tjetrin.
- Pesha mund të ndryshojë në varësi të aksesorit(ëve), përfshirë kutinë e baterisë. Kombinimi më i lehtë dhe më i rëndë, sipas Procedurës EPTA 01/2014, tregohet në tabelë.

**Kutia e aplikueshme e baterisë**

BL1815N / BL1820 / BL1820B / BL1830 / BL1830B / BL1840 / BL1840B / BL1850 / BL1850B / BL1860B

- Disa prej kutive të baterive të renditura më lart mund të mos jenë të disponueshme në varësi të zonës ku jua banoni.

**▲ PARALAJMËRIM:** Përdorni vetëm kutitë e baterisë të listuara më lart. Përdorimi i kutive të tjera të baterisë mund të shkaktojë lëndim dhe/ose zjarr.

## Përdorimi i synuar

Vegla përdoret për të lëmuar, smeriluar dhe për të prerë materiale metali dhe guri pa përdorimin e ujit.

## Zhurma

Niveli tipik i zhurmës A, i matur sipas EN60745:

Modeli	Niveli i presionit të zhurmës ( $L_{pA}$ ): (dB(A))	Niveli i fuqisë së zhurmës ( $L_{WA}$ ): (dB(A))	Pasiguria (K): (dB(A))
DGA411	80	-	3
DGA412	80	-	3
DGA413	80	-	3
DGA414	80	-	3
DGA461	79	-	3
DGA462	79	-	3
DGA463	79	-	3
DGA464	79	-	3
DGA511	79	-	3
DGA512	79	-	3
DGA513	79	-	3
DGA514	79	-	3

Niveli i zhurmës mund të tejkalojë 80 dB (A).

**▲ PARALAJMËRIM:** Mbani mbrojtëse për veshët.

## Dridhja

Vlera totale e dridhjeve (shuma e vektorit me tre akse) përcaktohet sipas EN60745:

**Regjimi i punës: lëvim sipërfaqesh me mbajtëse anësore normale**

Modeli	Emetimi i dridhjeve ( $a_{h, AG}$ ): ( $m/s^2$ )	Pasiguria (K): ( $m/s^2$ )
DGA411	4,5	1,5
DGA412	4,5	1,5
DGA413	4,5	1,5
DGA414	4,5	1,5
DGA461	6,5	1,5
DGA462	6,5	1,5
DGA463	6,5	1,5
DGA464	6,5	1,5
DGA511	6,5	1,5
DGA512	6,5	1,5
DGA513	6,5	1,5
DGA514	6,5	1,5

**Regjimi i punës: lëmim sipërfaqesh me mbajtëse anësore kundër dridhjeve**

Modeli	Emetimi i dridhjeve ( $a_{h, AG}$ ) : ( $m/s^2$ )	Pasiguria (K): ( $m/s^2$ )
DGA411	4,0	1,5
DGA412	4,0	1,5
DGA413	4,0	1,5
DGA414	4,0	1,5
DGA461	6,0	1,5
DGA462	6,0	1,5
DGA463	6,0	1,5
DGA464	6,0	1,5
DGA511	6,0	1,5
DGA512	6,0	1,5
DGA513	6,0	1,5
DGA514	6,0	1,5

**Regjimi i punës: smerilim me disk me mbajtëse anësore normal**

Modeli	Emetimi i dridhjeve ( $a_{h, DS}$ ) : ( $m/s^2$ )	Pasiguria (K): ( $m/s^2$ )
DGA411	2,5 $m/s^2$ ose më pak	1,5
DGA412	2,5 $m/s^2$ ose më pak	1,5
DGA413	2,5 $m/s^2$ ose më pak	1,5
DGA414	2,5 $m/s^2$ ose më pak	1,5
DGA461	2,5 $m/s^2$ ose më pak	1,5
DGA462	2,5 $m/s^2$ ose më pak	1,5
DGA463	2,5 $m/s^2$ ose më pak	1,5
DGA464	2,5 $m/s^2$ ose më pak	1,5
DGA511	2,5 $m/s^2$ ose më pak	1,5
DGA512	2,5 $m/s^2$ ose më pak	1,5
DGA513	2,5 $m/s^2$ ose më pak	1,5
DGA514	2,5 $m/s^2$ ose më pak	1,5

**Regjimi i punës: smerilim me disk me mbajtëse anësore kundër dridhjeve**

Modeli	Emetimi i dridhjeve ( $a_{h, DS}$ ) : ( $m/s^2$ )	Pasiguria (K): ( $m/s^2$ )
DGA411	2,5 $m/s^2$ ose më pak	1,5
DGA412	2,5 $m/s^2$ ose më pak	1,5
DGA413	2,5 $m/s^2$ ose më pak	1,5
DGA414	2,5 $m/s^2$ ose më pak	1,5
DGA461	2,5 $m/s^2$ ose më pak	1,5
DGA462	2,5 $m/s^2$ ose më pak	1,5
DGA463	2,5 $m/s^2$ ose më pak	1,5
DGA464	2,5 $m/s^2$ ose më pak	1,5
DGA511	2,5 $m/s^2$ ose më pak	1,5
DGA512	2,5 $m/s^2$ ose më pak	1,5
DGA513	2,5 $m/s^2$ ose më pak	1,5
DGA514	2,5 $m/s^2$ ose më pak	1,5

**SHËNIM:** Vlera e deklaruar e emetimeve të dridhjeve është matur sipas metodës standarde të testimit dhe mund të përdoret për të krahasuar një vegël me një tjetër.

**SHËNIM:** Vlera e deklaruar e emetimeve të dridhjeve mund të përdoret për një vlerësim paraprak të ekspozimit.

**⚠️ PARALAJMËRIM:** Emetimet e dridhjeve gjatë përdorimit aktual të veglës elektrike mund të ndryshojnë nga vlerat e deklaruarat të emetimeve në varësi të mënyrave sesi përdoret vegla.

**⚠️ PARALAJMËRIM:** Vërtetoni që masat e sigurisë për mbrojtjen e përdoruesit bazohen në vlerësimin e ekspozimit ndaj kushteve aktuale të përdorimit (duke marrë parasysh të gjitha pjesët e ciklit të funksionimit si ato kur pajisja është e fikur dhe punon pa prerë ashtu edhe kohën e përdorimit).

**⚠️ PARALAJMËRIM:** Vlera e deklaruar e emetimeve të dridhjeve përdoret për aplikacionet kryesore të veglës elektrike. Megjithatë, nëse vegla elektrike përdoret për aplikacione të tjera, vlera e emetimeve të dridhjeve mund të ndryshojë.

## Deklarata e konformitetit me KE-në

### Vetëm për shtetet evropiane

Deklarata e konformitetit me KE-në përfshihet si Shtojca A në këtë manual përdorimi.

## PARALAJMËRIME SIGURIE

### Paralajmërimet e përgjithshme për sigurinë e veglës

**⚠️ PARALAJMËRIM:** Lexoni të gjitha paralajmërimet për sigurinë, udhëzimet, ilustrimet dhe specifikimet e dhëna me këtë vegël elektrike. Mosndjekja e të gjitha udhëzimeve të renditura më poshtë mund të shkaktojë goditje elektrike, zjarr dhe/ose lëndim të rëndë.

### Ruajini të gjitha paralajmërimet dhe udhëzimet për të ardhmen.

Termi "vegël elektrike" në paralajmërimi i referohet veglës elektrike që përdoret e lidhur në prizë (me kordon) ose veglës së përdorur me bateri (pa kordon).

### Paralajmërimet për sigurinë e smeriluesit me bateri

Paralajmërimet për sigurinë e zakonshme gjatë veprimeve të lëmimit, smerilimit, fshirjes me furçë me tela ose prerjes abrazive:

- 1. Kjo vegël elektrike funksionon si lëmues, smerilues, furçë teli ose prerës. Lexoni të gjitha paralajmërimet për sigurinë, udhëzimet, ilustrimet dhe specifikimet e dhëna me këtë vegël elektrike.** Mosndjekja e të gjitha udhëzimeve të renditura më poshtë mund të shkaktojë goditje elektrike, zjarr dhe/ose lëndim të rëndë.
- 2. Veprimet si lustrimi nuk rekomandohen për t'u kryer me këtë vegël elektrike.** Veprimet për të cilat pajisja elektrike nuk është e përshtatshme mund të krijojnë rrezik dhe të shkaktojnë dëmtime personale.
- 3. Mos përdorni aksesori që nuk janë projektuar dhe rekomanduar nga prodhuesi i veglës.** Fakti që një aksesori mund të montohet në veglën tuaj elektrike, nuk garanton një funksionim të sigurt.

- 4. Shpejtësia e matur e aksesorit duhet të jetë minimalisht e barabartë me shpejtësinë maksimale të caktuar në veglën elektrike.** Aksesorët që e kalojnë shpejtësinë e matur mund të thyhen dhe të ndahen në copa.
- 5. Diametri i jashtëm dhe trashësia e aksesorit tuaj duhet të jetë brenda kapacitetit të matur të veglës elektrike.** Aksesorët me përmasa të gabuara nuk mund të mbrohen ose të kontrollohen siç duhet.
- 6. Montimi me fileto i aksesoreve duhet të përputhet me fileton e boshtit të makinerisë prerëse. Për aksesorët e montuar me flaxha, vrima e boshtit të aksesorit duhet të përputhet me diametrin e folesë së flaxhës.** Aksesorët që nuk përputhen me pjesën montuese të veglës elektrike do të humbasin ekuilibrin, do të lëkunden jashtë mase dhe mund të shkaktojnë humbjen e kontrollit.
- 7. Mos përdorni aksesori të dëmtuar. Përpara çdo përdorimi kontrolloni aksesorët si p.sh. disqet abrazive për ciflosje dhe krisje, mbështetëset e disqeve për krisje, gërvishqje ose konsumim, furçën me tela për lirim ose thyerje të telave. Nëse pajisja elektrike ose aksesori bie, kontrolloni për dëmtime ose instaloni një aksesori të padëmtuar. Pas inspektimit dhe instalimit të aksesoreve, qëndroni me personat e tjerë larg trajektorese së rrotullimit të aksesorit dhe lëroni pajisjen elektrike të punojë me shpejtësi maksimale pa ngarkesë për një minutë.** Aksesorët e dëmtuar zakonisht do të shpëputen nga pajisja gjatë këtij testi.
- 8. Mbani pajisje mbrojtëse personale. Në varësi të përdorimit, përdorni mbrojtëse për fytyrën ose syze sigurie të mëdha ose të vogla. Sipas rastit, mbani maskë kundër pluhurit, mbrojtëse për dëgjimin, doreza dhe përparëse mbrojtëse që mund të ndalojnë copëzat abrazive ose të materialit të punës.** Mbrojtësja e syve duhet të ketë aftësi të ndalojë copat fluturuese që prodhohen nga veprimet e ndryshme. Maska kundër pluhurit ose respiratori duhet të jenë në gjendje të filtrojnë grimcat e prodhuara nga funksionimi i pajisjes. Ekspozimi për një kohë të gjatë ndaj zhurmave të forta mund të shkaktojë humbjen e dëgjimit.
- 9. Mos i lejoni personat të afrohen në zonën e punës. Kushdo që hyn në zonën e punës duhet të mbajë veshur mjetet mbrojtëse personale.** Copëzat e materialit të punës ose të një aksesori të thyer mund të fluturojnë larg dhe të shkaktojnë dëmtime përtej zonës ku punohet.
- 10. Mbajeni veglën elektrike vetëm te sipërfaqet kapëse të izoluar kur të jeni duke kryer një veprim në të cilin vegla prerëse mund të prekë tela të fshehura.** Prekja e një teli me rrymë do ta përçojë rrymën edhe te pjesët e ekspozuara metalike të veglës elektrike dhe mund të shkaktojë goditje elektrike të punëtorit.

11. **Mos e lëshoni veglën elektrike nga dora deri sa aksesori të ketë ndaluar plotësisht.** Aksesori që rrotullohet mund të prekë sipërfaqen dhe mund ta nxjerrë veglën elektrike jashtë kontrollit.
12. **Mos e ndizni veglën elektrike kur jeni duke e mbajtur anash trupit tuaj.** Kontakti aksidental me aksesoriin rrotullues mund ta ngeçë atë në rrobat tuaja, duke e tërhequr aksesoriin drejt trupit tuaj.
13. **Pastroni rregullisht vrimat e ajrosjes së veglës elektrike.** Ventilatori i motorit do ta tërheqë pluhurin brenda folesë dhe akumulimi i tepër i pluhurit të metalit mund të shkaktojë rreziqe elektrike.
14. **Mos e përdorni veglën elektrike pranë materialeve të ndezshme.** Shkëndijat mund t'i ndezin këto materiale.
15. **Mos përdorni aksesorë që kërkojnë ftohës të lëngshëm.** Përdorimi i ujit ose i ftohësve të tjerë të lëngshëm mund të rezultojnë në goditje ose në goditje elektrike.

**Kundërveprimi dhe paralajmërimet lidhur me të**  
Zmbrapsja është një reagim i shpejtë që ndodh kur disku prerës, mbështetësja e rrotës, forca ose çdo aksesori tjetër bllokohet ose ngeç. Bllokimi ose ngecja shkaktojnë ndalesë të menjëhershme të aksesorit rrotullues, i cili si pasojë bën që pajisja elektrike e pakontrolluar të shtyhet në drejtimin e kundërt të rrotullimit të aksesorit deri në pikën e lidhjes. Për shembull, nëse disku abrazive ngeç ose bllokohet nga materiali i punës, tehu i diskut që hyn në vendin e bllokimit mund të godasë sipërfaqen e materialit duke shkakuar daljen ose kërcimin e diskut nga vendi. Disku mund të kërcëjë në drejtim të punëtorit ose larg tij, në varësi të drejtimin të lëvizjes së diskut në momentin e bllokimit. Disqet abrazive mund të thyhen në të tilla kushte. Kundërveprimi është rezultat i keqpërdorimit të veglës elektrike dhe/ose procedurave ose kushteve të pasakta të përdorimit dhe mund të shmangët duke marrë masat e mëposhtme parandaluese.

1. **Mbajeni veglën elektrike fort dhe vendosni trupin dhe krahun në mënyrë që të pengoni forcat kundërvepruese.** Përdorni gjithmonë dorëzën ndihmëse, nëse mundësohet, për një kontroll maksimal mbi kundërveprimin ose reagimin rrotullues gjatë ndezjes. Përdoruesi mund të kontrollojë reagimet rrotulluese ose forcat kundërvepruese, nëse merren masa parandaluese.
2. **Mos e vini kurrë dorën pranë aksesorit rrotullues.** Aksesori mund të kundërveprojë mbi dorën tuaj.
3. **Mos e poziciononi trupin tuaj në zonën ku vegla elektrike do të lëvizë nëse ndodh kundërveprimi.** Kundërveprimi do ta dërgojë veglën në drejtimin e kundërt të lëvizjes së diskut në pikën e ngecjes.
4. **Tregoni kujdes të veçantë kur të punoni në cepa, anë të mprehta etj.** Shmangni kërcimet dhe ngecjen e aksesorit. Cepat, anët e mprehta ose kërcimet kanë një tendencë për të shkakuar ngecjen e aksesorit rrotullues që shkakton humbjen e kontrollit ose kundërveprimin.
5. **Mos vendosni një tëh sharre me zinxhir për drutë ose një tëh sharre me dhëmbë.** Disqe të tilla krijojnë kundërveprime të shpeshta dhe humbje të kontrollit.

**Paralajmërimet për sigurinë specifike gjatë veprimeve të lëmimit dhe prerjes abrazive:**

1. **Përdorni vetëm llojet e disqeve që janë të rekomanduara për veglën tuaj elektrike dhe mbrojtësen specifike të projektuar për diskun e zgjedhur.** Disqet të cilët nuk janë projektuar për veglën elektrike nuk mund të mbrohen dhe nuk janë të sigurta.
2. **Sipërfaqja smeriluese e disqeve të shtypur qendrorë duhet të montohet poshtë rrafshit të buzëve mbrojtëse.** Një disk që është montuar keq dhe që del nga rrafshi i buzëve mbrojtëse, nuk mund të mbrohet siç duhet.
3. **Mbrojtësja duhet të lidhet në mënyrë të sigurt me veglën elektrike dhe të pozicionohet për siguri maksimale, në mënyrë që një pjesë shumë e vogël e diskut të jetë e zbuluar nga përdoruesi.** Mbrojtësja ndihmon në ruajtjen e përdoruesit nga copëzat e thyera të diskut, kontakti aksidental me diskun dhe shkëndijat që mund të ndezin rrobat.
4. **Disqet duhet të përdoren vetëm për përdorimet e rekomanduara.** Për shembull: mos smeriloni me anën e diskut prerës. Disqet abrazive prerëse janë synuar për smerilim anësor, forcat anësore të ushtruara mbi këto disqe mund të shkaktojnë thyerjen e tyre.
5. **Gjithmonë përdorni flanaxha disqesh të padmtuara të madhësisë dhe formës së diskut të zgjedhur.** Flanaxhat e përshtatshme të disqeve e mbështesin diskun duke reduktuar mundësinë e thyerjes së saj. Flanaxhat për disqet e prerjes mund të jenë ndryshe nga flanaxhat e disqeve të smerilimit.
6. **Mos përdorni disqe të konsumuara nga pajisje më të mëdha elektrike.** Disku i synuar për pajisje më të mëdha elektrike nuk është i përshtatshëm për shpejtësinë e madhe të pajisjes së vogël dhe mund të plasë.

**Paralajmërimet për sigurinë specifike gjatë veprimeve të prerjes abrazive:**

1. **Mos e "bllokoni" diskun prerës ose mos aplikoni presion të tepërt mbi të.** Mos provoni të kryeni prerje të thella. Ushtrimi i forcës së tepërt mbi disk rrit ngarkesën dhe ndjeshmërinë ndaj përdredhjeve ose kapjes së diskut gjatë prerjes dhe mundësinë e kundërveprimit ose të thyerjes së diskut.
2. **Mos e poziciononi trupin tuaj në një linjë dhe mbraja diskut rrotullues.** Kur disku, në pikën e veprimit, po largohet nga trupit juaj, kundërveprimi i mundshëm mund ta dërgojë diskun prerës dhe veglën elektrike në drejtimin tuaj.
3. **Kur disku kapet ose kur ndërprisni prerjen për çdo lloj arsyeje, fikeni veglën elektrike dhe mbajeni pa lëvizur derisa disku të ndalojë plotësisht.** Mos tentoni kurrë ta tërhiqni diskun nga vendi i prerjes ndërsa disku është duke lëvizur, përndryshe mund të ndodhë kundërveprimi. Hetoni dhe ndërmerrni veprime korrigjuese për të eliminuar ngecjen e diskut.
4. **Mos e rifilloni procesin e prerjes në materialin e punës.** Lejoni diskun të arrijë shpejtësinë maksimale dhe më pas rifilloni prerjen. Disku mund të kapet, të shkojë lart ose të kundërveprojë nëse vegla elektrike rindizet brenda materialit të punës.

5. Mbështetni panelet ose çdo material pune të madh për të minimizuar rrezikun e bllokimit dhe të kundërveprimit të diskut. Materialet e mëdha të punës kanë tendencë të përkulen nga pesha e tyre. Mbështetëset duhet të vendosen poshtë materialit të punës pranë vijës së prerjes dhe buzës së materialit të punës nga të dyja anët e diskut.
6. Tregoni kujdes të veçantë kur të bëni një "prerje në xhëp" mbi muret ekzistuese ose në zona të tjera me shikim të kufizuar. Disku i dalë mund të presë tuba gazi ose uji, tela elektrikë ose objekte që shkaktojnë kundërveprim.
12. Për veglat që do të punojnë me disqe që kanë vrimë të filetuar, sigurohuni që fileta në disk të jetë atë e gjatë sa të pranojë të gjithë boshtin.
13. Kontrolloni që materiali i punës është mbështetur siç duhet.
14. Tregoni kujdes, sepse disku vazhdon rrotullimin edhe pasi të jetë fikur vegla.
15. Nëse ambienti i punës është shumë i nxehtë dhe me lagështirë ose i ndotur shumë me pluhur të përcueshëm, përdorni një ndërprerës qarku (30 mA) për të siguruar përdoruesin.

**Paralajmërimet për sigurinë specifike gjatë veprimeve të smerilimit:**

1. Mos përdorni një letër të madhe disku për smerilim. Ndiqni rekomandimet e prodhuesve kur të zgjidhni letërën smerile. Letra smerile më e madhe se mbështetësja e rrotës krijon rrezik dëmtimi dhe mund të shkaktojë ngecjen, thyerjen ose kundërveprimin e diskut.

**Paralajmërimet për sigurinë specifike gjatë veprimeve të fshirjes me tela:**

1. Kini parasysh se qimet e forta të telit shkëputen nga furça edhe gjatë funksioneve të zakonshme. Mos i sforconi telat duke ushtruar forcë mbi furçën. Qimet e forta të telit mund të depërtojnë në rrobat e holla dhe/ose në lëkurë.
2. Nëse rekomandohet përdorimi i mbrojtës për fshirjen me tela, mos lejoni ndërhyrje të diskut ose furçës së telit të mbrojtësja. Disku ose furça e telit mund të zgjerohet në diametër nga ngarkesa e punës dhe forcat centrifugale.

**Paralajmërimet shtesë mbi sigurinë:**

1. Kur të përdorni disqe lëmuese me qendër të shtypur, sigurohuni të përdorni vetëm disqe të përfurcuar me fibër qelqi.
2. **KURRË MOS PËRDORNI** disqe të llojit Stone Cup me këtë lëmues. Ky lëmues nuk është projektuar për këto lloje disqesh dhe përdorimi i këtij produkti mund të shkaktojë dëmtime personale.
3. Tregoni kujdes se mos dëmtoni boshtin, flaxhën (sidomos sipërfaqen e instalueshme) ose dadon e bllokimit. Dëmtimi i këtyre pjesëve mund të shkaktojë thyerjen e diskut.
4. Sigurohuni që disku nuk e prek materialin e punës përpara se të ndizet çelësi.
5. Përpara se të përdorni veglën mbi një material aktual, lëreni të punojë për ca kohë. Tregoni kujdes për dridhjet ose lëkundjet që dëshmojnë për një instalim të gabuar ose një disk jo në ekuilibër.
6. Përdorni sipërfaqen e specifikuar të diskut për të kryer lëmimin.
7. Mos e lini veglën të ndezur. Përdoreni veglën vetëm duke e mbajtur në dorë.
8. Mos e prekni materialin e punës menjëherë pas punës; mund të jetë shumë i nxehtë dhe mund t'ju djegë lëkurën.
9. Shihni udhëzimet e prodhuesit për montimin dhe përdorimin e saktë të disqeve. Trajtojini dhe ruajini disqet me kujdes.
10. Mos përdorni unaza zvogëluese ose reduktorë për të përshtatur disqet abrazive me vrimë të madhe.
11. Përdorni vetëm flanxa specifike për këtë vegël.

17. Kur përdorni disk prerës, gjithmonë punoni me mbrojtësen e diskut që mbledh pluhurin siç kërkohet nga rregullat vendase.
18. Mbi disqet prerës nuk duhet të ushtrohet forcë anësore.
19. Mos përdorni doreza pune prej lecke gjatë punës. Fibrat e dorezave prej lecke mund të futen te vegla, gjë e cila shkakton prishjen e veglës.

## RUAJINI KËTO UDHËZIME.

**▲ PARALAJMËRIM:** MOS lejoni që njohja ose familjarizimi me produktin (të fituara nga përdorimi i shpeshhtë) të zëvendësojnë zbatimin me përpikëri të rregullave të sigurisë për produktin në fjalë. KEQPËRDORIMI ose mosndjekja e rregullave të sigurisë të dhëna në këtë manual përdorimi mund të shkaktojë dëmtime të rënda personale.

### Udhëzime të rëndësishme rreth sigurisë për kutinë e baterisë

1. Përpara se ta përdorni kutinë e baterisë, lexoni të gjitha udhëzimet dhe shënimet e masave parandaluese te (1) ngarkuesi i baterisë, (2) bateria dhe (3) produkti që përdor baterinë.
2. Mos e hiqni kutinë e baterisë.
3. Nëse koha e përdorimit është shkurtuar jashtë mase, ndalojeni punën menjëherë. Kjo mund të rezultojë në rrezik mbinxehjeje, djegie të mundshme, madje edhe shpërthim.
4. Nëse ju futen elektrolitit në sy, shpëllajini sytë me ujë të pastër dhe kërkoni ndihmë mjekësore menjëherë. Kjo gjë mund të rezultojë në humbje të shikimit.
5. Mos bëni lidhje të shkurtër me kutinë e baterisë:
  - (1) Mos i prekni terminalet me materiale përcjellëse.
  - (2) Shmangni ruajtjen e kutisë së baterisë në një kuti me objekte të tjera metalike, si gozhdë, monedha etj.
  - (3) Mos e ekspozoni kutinë e baterisë në ujë ose shi. Qarku i shkurtër i baterisë mund të shkaktojë qarkullim të madh të rrymës elektrike, mbinxehje, djegie të mundshme dhe madje prishje.
6. Mos e ruani pajisjen dhe kutinë e baterisë në vende ku temperatura mund të arrijë ose tejkalojë 50 °C.
7. Mos e digjni kutinë e baterisë, edhe nëse është shumë e dëmtuar ose është konsumuar plotësisht. Kutia e baterisë mund të shpërthejë në zjarr.

8. **Bëni kujdes që të mos e rrëzoni ose ta godisni baterinë.**
9. **Mos përdorni bateri të dëmtuar.**
10. **Bateritë e përfshira të litiumit, u nënshtrohen kërkesave të legjislacionit për mallrat e rrezikshme.**  
Për transport tregtar p.sh. nga palë të treta, agjentë të ndërmjetëm, duhet të ndiqen kërkesa specifike mbi paketimin dhe etiketimin.  
Për përgatitjen e artikullit për transport, është i nevojshëm konsultimi i një eksperti për materiale të rrezikshme. Ju lutemi, ndiqni gjithashtu rregulloret me gjasë më të detajuara vendore.  
Mbuloni me ngjitime ose maskoni kontaktet e zhveshura dhe paketojeni baterinë në mënyrë të tillë që të mos lëvizë në paketim.
11. **Zbatoni rregulloret lokale rreth asgjësimit të baterisë.**
12. **Përdorini bateritë vetëm me produktet e specifikuar nga Makita.** Instalimi i baterive në produkte të papajteshme mund të rezultojë në zjarr, nxehësi të lartë, shpërthim ose rrjedhje të elektroliteve.

## RUAJINI KËTO UDHËZIME.

**⚠️KUJDES:** Përdorni vetëm bateri origjinale Makita. Përdorimi i baterive jo-origjinale Makita ose baterive që mund të jenë modifikuar, mund të rezultojë në marrjen flakë të baterisë, lëndime personale apo dëmtime. Kjo do të anulohet gjithashtu edhe garancinë e Makita-s për veglën e Makita-s dhe ngarkuesin.

## Këshilla për të ruajtur jetëgjatësinë maksimale të baterisë

1. Ngarkojeni baterinë përpara se të shkarkohet plotësisht. Gjithmonë ndaloni punën me pajisjen dhe ngarkoni baterinë kur vëreini ulje të fuqisë së pajisjes.
2. Asnjëherë mos e ringarkoni baterinë e ngarkuar plotësisht. Mbingarkimi shkurton jetëgjatësinë e shërbimit të baterisë.
3. Ngarkojeni baterinë në temperaturën e dhomës në 10 °C - 40 °C. Lëreni kutinë e nxehët të baterisë të ftohet përpara se ta ngarkoni atë.
4. Ngarkojeni baterinë nëse nuk e përdorni për një kohë të gjatë (mbi gjashtë muaj).

## Udhëzime të rëndësishme rreth sigurisë për njësinë me valë

1. Mos e çmontoni ose dëmtoni njësinë me valë.
2. Mbajeni njësinë me valë larg fëmijëve të vegjël. Nëse gëlltitet aksidentalisht, kërkoni menjëherë kujdes mjekësor.
3. Përdoreni njësinë me valë vetëm me vegla "Makita".
4. Mos e ekspozoni njësinë me valë në shi ose në kushte me lagështirë.
5. Mos e përdorni njësinë me valë në vende ku temperatura tejkalon 50°C.
6. Mos e përdorni njësinë me valë në afërsi të instrumenteve mjekësore, si p.sh. stimulues kardiakë.

7. Mos e përdorni njësinë me valë në afërsi të pajisjeve të automatizuara. Nëse përdoret, pajisjet e automatizuara mund të shkaktojnë keqfunksionim ose gabim.
8. Njësia me valë mund të prodhojë fusha elektromagnetike (EMF), por që nuk janë të dëmshme për përdoruesin.
9. Njësia me valë është një instrument i saktë. Bëni kujdes që të mos e rrëzoni ose ta godisni njësinë me valë.
10. Shmangni prekjen e terminalit të njësisë me valë me duar të zhveshura apo me materiale metalike.
11. Hiqni gjithmonë baterinë në vegël kur instaloni njësinë me valë.
12. Kur hapni kapakun e folesë, shmangni vendin ku pluhuri dhe uji mund të hyjnë në fole. Mbajeni hyrjen e folesë gjithmonë të pastër.
13. Vendoseni gjithmonë njësinë me valë në drejtimin e duhur.
14. Butonin e aktivizimit të lidhjes me valë në njësinë me valë mos e shtypni fort dhe/ose me objekt me majë të mprehtë.
15. Gjatë përdorimit mbyllni gjithmonë kapakun e folesë.
16. Mos e hiqni njësinë me valë nga foleja ndërsa vegla po furnizohet me energji. Në të kundërt, mund të shkaktohet keqfunksionim i njësisë me valë.
17. Mos e hiqni etiketën në njësinë me valë.
18. Mos vendosni etiketa në njësinë me valë.
19. Mos e lini njësinë me valë në një vend ku mund të gjenerohet elektricitet statik apo zhurmë elektrike.
20. Mos e lini njësinë me valë në një vend ku i nënshtrohet nxehësisë së lartë, si p.sh. në një makinë të parkuar nën diell.
21. Mos e lini njësinë me valë në një vend me pluhur ose grimca të vogla apo në një vend ku mund të gjenerohet gaz gjërryes.
22. Ndryshimi i papritur i temperaturës mund të vesojë njësinë me valë. Mos e përdorni njësinë me valë derisa vesa të jetë tharë plotësisht.
23. Kur pastroni njësinë me valë, fshijeni lehtë me një leckë të butë e të thatë. Mos përdorni benzinë, hollues, graso përcjellëse apo të ngjashme.
24. Gjatë ruajtjes, vendoseni njësinë me valë në kasën e dhënë ose në një enë pa elektricitet statik.
25. Në folenë e veglës mos vendosni pajisje të tjera të ndryshme nga njësia me valë "Makita".
26. Mos e përdorni veglën me kapakun e folesë të dëmtuar. Uji, pluhuri dhe papastëritë që hyjnë në fole mund të shkaktojnë keqfunksionim.
27. Mos e tërhiqni dhe/ose rrotulloni kapakun e folesë të shumë seç nevojitet. Rivendoseni kapakun nëse hiqet nga vegla.
28. Ndërroni kapakun e folesë nëse humbet apo dëmtohet.

## RUAJINI KËTO UDHËZIME.



# PËRSHKRIMI I PUNËS

**▲ KUJDES:** Sigurohuni gjithmonë që vegla të jetë e fikur dhe kutia e baterisë të jetë hequr përpara se ta rregulloni apo t'i kontrolloni funksionet e veglës.

## Instalimi ose heqja e kutisë së baterisë

**▲ KUJDES:** Fikeni gjithmonë veglën përpara se të instaloni ose hiqni kutinë e baterisë.

**▲ KUJDES:** Mbajeni fort veglën dhe kutinë e baterisë kur montoni ose hiqni kutinë e baterisë. Mosmbajta fort e veglës dhe e kutisë së baterisë mund të bëjë që t'ju rrëshqasin nga duart dhe të shkaktojë dëmtim të veglës dhe të kutisë së baterisë, si dhe lëndim personal.

► **Fig.1:** 1. Treguesi i kuq 2. Butoni 3. Kutia e baterisë

Për të hequr kutinë e baterisë, rrëshqiteni atë nga vegla ndërsa rrëshqisni butonin në pjesën e përparme të kutisë së baterisë.

Për të vendosur kutinë e baterisë, bashkërenditni gjuhëzën e kutisë së baterisë me kanalën e folesë dhe rrëshqiteni për ta futur. Futeni deri në fund, derisa të kërçasë dhe të bllokohet në vend. Nëse shikoni treguesin e kuq në anën e sipërme të butonit, ajo nuk është e bllokuar plotësisht.

**▲ KUJDES:** Vendoseni gjithnjë plotësisht kutinë e baterisë derisa treguesi i kuq të mos duket. Në të kundërt, ajo mund të bjerë aksidentalisht nga vegla duke ju lënduar juve ose personin pranë jush.

**▲ KUJDES:** Mos e vendosni me forcë kutinë e baterisë. Nëse kutia nuk hyn lehtë, nuk po e futni siç duhet.

## Treguesi i kapacitetit të mbetur të baterive

Vetëm për kuti baterie me llambë

► **Fig.2:** 1. Llambat treguese 2. Butoni i kontrollit

Shtypni butonin e kontrollit në kutinë e baterisë për të treguar kapacitetin e mbetur të baterisë. Llambat treguese ndizen për pak sekonda.

Llambat treguese			Kapaciteti i mbetur
Ndezur	Fikur	Duke pulsuar	
■	□	▣	75% deri 100%
■ ■ ■ ■	□	□	50% deri 75%
■ ■	□ □	□ □	25% deri 50%
■	□ □ □ □	□ □ □ □	0% deri 25%
▣	□ □ □ □	□ □ □ □	Ngarkojeni baterinë.
■ ■ □ □	□ □	■ ■	Llambushka mund të ketë keqfunksionuar.

**SHËNIM:** Në varësi të kushteve të përdorimit dhe të temperaturës së ambientit, treguesi mund të ndryshojë paksa nga kapaciteti aktual.

## Treguesi i kapacitetit të mbetur të baterive

**Sipas shtetit**

Kur ndizni veglën, treguesi i baterisë tregon kapacitetin e mbetur të baterisë.

► **Fig.3:** 1. Treguesi i baterisë

Kapaciteti i mbetur i baterisë tregohet në tabelën e mëposhtme.

Gjendja e treguesit të baterisë			Kapaciteti i mbetur i baterisë
Ndezur	Fikur	Duke pulsuar	
			50% deri 100%
			20% deri 50%
			0% deri 20%
			Ngarkojeni baterinë

## Sistemi i mbrojtjes së veglës/ baterisë

Vegla është e pajisur me një sistem të mbrojtjes së veglës/baterisë. Ky sistem ndërpret automatikisht energjinë në motor për të zgjatur jetëgjatësinë e veglës dhe baterisë. Vegla do të ndalojë automatikisht gjatë punës nëse vegla ose bateria janë vendosur sipas një prej kushteve të mëposhtme:

### Mbrojtja nga mbingarkesa

Kur vegla vihet në punë në një mënyrë që e bën atë të tërheqë një korrent më të lartë nga normalja, vegla fiket automatikisht pa dhënë asnjë shenjë. Në këtë situatë, fikeni veglën dhe ndaloni punën që shkaktoi mbingarkesën e veglës. Pastaj ndizeni veglën për ta rinisur.

### Mbrojtja ndaj mbinxehjes

Kur vegla mbinxehet, ajo ndalon automatikisht dhe treguesi i baterisë tregon gjendjen e mëposhtme. Në këtë situatë, lëreni veglën të ftohet përpara se ta ndizni sërish.

Ndezur	Duke pulsuar

Nëse vegla nuk ndizet, bateri mund të jetë mbixehur. Në këtë situatë, lëreni baterinë të ftohet përpara se ta ndizni sërish veglën.

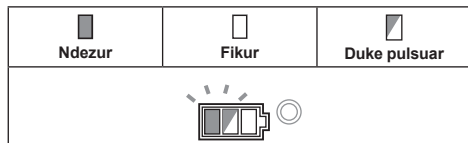
## Mbrojtja nga mbishkarkimi

Kur kapaciteti i baterisë nuk është i mjaftueshëm, vegla ndalon automatikisht. Në këtë rast, hiqeni baterinë nga vegla dhe ngarkojeni.

## Lëshimi i bllokimit të mbrojtjes

Kur sistemi i mbrojtjes punon pa ndërprerje, vegla bllokohet dhe treguesi i baterisë tregon gjendjen e mëposhtme.

Në këtë situatë, vegla nuk ndizet edhe nëse e ndizni ose e fikni veglën. Për të lëshuar bllokimin e mbrojtjes, hiqni baterinë, vendoseni në ngarkuesin e baterive dhe prisni derisa të mbarojë ngarkimi.



## Bllokuesi i boshtit

Shtypni bllokimin e boshtit për të parandaluar rrotullimin e boshtit gjatë instalimit apo heqjes së aksesorëve.

► **Fig.4:** 1. Bllokuesi i boshtit

**VINI RE:** Mos e aktivizoni kurrë bllokimin e boshtit kur boshti është në rrotullim. Vegla mund të dëmtohet.

## Veprimi i ndërrimit

**▲KUJDES:** Përpara se ta vendosni kutinë e baterisë në vegël, kontrolloni gjithmonë nëse çelësi i rrëshqitjes është në pozicionin e duhur dhe nëse kthehet në pozicionin "FIKUR" kur shtypet pjesa e pasme e çelësit të rrëshqitjes.

**▲KUJDES:** Çelësi mund të bllokohet në pozicionin "NDEZUR" për lehtësi të përdoruesit gjatë përdorimit të zgjatur. Bëni kujdes kur bllokoni veglën në pozicionin "NDEZUR" dhe shtrëngojeni mirë veglën.

Për ta ndezur veglën, rrëshqitni çelësin e rrëshqitjes drejt pozicionit "I (NDEZUR)" duke shtyrë pjesën e pasme të çelësit të rrëshqitjes. Për punë të vazhdueshme, shtypni pjesën e përparme të çelësit të rrëshqitjes për ta bllokuar.

Për ta ndaluar veglën, shtypni pjesën e pasme të çelësit të rrëshqitjes, më pas rrëshqiteni drejt pozicionit "O (FIKUR)".

► **Fig.5:** 1. Çelësi me rrëshqitje

## Disku i rregullimit të shpejtësisë

Shpejtësia e rrotullimit të veglës mund të ndryshohet duke rrotulluar diskun e rregullimit të shpejtësisë. Tabela më poshtë tregon numrin në disk dhe shpejtësinë korresponduese të rrotullimit.

► **Fig.6:** 1. Disku i rregullimit të shpejtësisë



Numri	Shpejtësia
1	3 000 min <sup>-1</sup>
2	4 500 min <sup>-1</sup>
3	6 000 min <sup>-1</sup>
4	7 500 min <sup>-1</sup>
5	8 500 min <sup>-1</sup>

**VINI RE:** Nëse vegla përdoret vazhdimisht me shpejtësi të vogël për një kohë të gjatë, motori do të mbingarkohet, duke shkaktuar keqfunksionimin e veglës.

**VINI RE:** Kur ndryshohet disku i shpejtësisë nga "5" në "1", rrotullojeni diskun në drejtim të kundërt të akrepave të orës. Mos e rrotulloni diskun në drejtim të akrepave të orës me forcë.

## Funksioni i ndryshimit automatik të shpejtësisë

► **Fig.7:** 1. Treguesi i regjimit

Gjendja e treguesit të regjimit	Regjimi i funksionimit
	Regjimi i shpejtësisë së lartë
	Regjimi i forcës së lartë rrotulluese

Kjo vegël ka "regjimin e shpejtësisë së lartë" dhe "regjimin e forcës së lartë rrotulluese". Ajo e ndryshon regjimin e punës në mënyrë automatike në varësi të ngarkesës së punës. Kur treguesi i modalitetit ndizet gjatë punës, vegla është në modalitetin e forcës rrotulluese të lartë.

## Funksioni parandalues për rindezjen e paqëllimshme

Edhe nëse kutia e baterisë është vendosur në vegël me çelësin e rrëshqitjes në pozicionin "I (NDEZUR)", vegla nuk ndizet.

Për të ndezur veglën, në fillim rrëshqitni çelësin e rrëshqitjes drejt pozicionit "O (fikur)" dhe më pas rrëshqiteni në pozicionin "I (ndezur)".

## Funksioni elektronik i kontrollit të rrotullimit

Vegla dikton elektronikisht situatat kur disku apo aksessori mund të kenë rrezik të lidhen. Në raste të tilla, vegla fiket automatikisht për të evituar rrotullimin e mëtejshëm të boshtit (nuk parandalon zmbropsjen). Për ta rindezur veglën, fikeni përpara, eliminoni shkaku e rënies së beftë të shpejtësisë së rrotullimit dhe ndizeni veglën.

## Veçoria e ndezjes së ngadaltë

Veçoria e ndezjes së ngadaltë redukton reagimin gjatë ndezjes.

## Freni elektrik

Vetëm për modelin DGA413/DGA414/DGA463/  
DGA464/DGA513/DGA514

Freni elektrik aktivizohet pas fikjes së veglës.

Freni nuk funksionon kur nuk ka furnizim me energji, p.sh. kur bateria hiqet aksidentalisht, me çelësin ende të aktivizuar.

## MONTIMI

**▲KUJDES:** Sigurohuni gjithmonë që vegla të jetë e fikur dhe kutia e baterisë të jetë hequr përpara se ta rregulloni apo t'i kontrolloni funksionet e veglës.

### Instalimi i mbajtëses (dorezës) anësore

**▲KUJDES:** Sigurohuni gjithnjë që mbajtësja anësore është instaluar siç duhet përpara përdorimit.

Vidhoseni mirë mbajtësen anësore në pozicionin e veglës siç tregohet në figurë.

► Fig.8

### Instalimi ose heqja e mbrojtëses së diskut (për disk me qendër të shtypur, disk me kënd, disk fleksibël, disk me furçë me tela / disk prerës smeril, disk diamanti)

**▲PARALAJMËRIM:** Kur përdorni disk me qendër të shtypur, disk me kënd, disk fleksibël ose disk me furçë me tela, mbrojtësja e diskut duhet të përshtatet në vegël në mënyrë të tillë që ana e mbyllur e mbrojtëses të jetë gjithmonë e drejtuar nga përdoruesi.

**▲PARALAJMËRIM:** Kur përdorni disk smeril prerës / diamanti, sigurohuni të përdorni vetëm mbrojtësen e posaçme të diskut të projektuar për përdorim me disqe prerëse.

(Në disa vende të Evropës, kur përdorni disk diamanti, mund të përdorni mbrojtësen e zakonshme. Ndiqni rregullat e shtetit ku ndodheni.)

### Për vegla me mbrojtëse disku të llojit me vidë bllokuese

Montojeni mbrojtësen e diskut me të dalat e rripit të mbrojtëses së diskut të bashkërenditur me dhëmbëzat e kutisë mbajtëse. Në vijim rrotullojeni mbrojtësen e diskut në kënd të atillë që të mund ta mbrojtë përdoruesin sipas punës që kryhet. Sigurohuni që ta shtrëngoni mirë vidën. Për ta hequr mbrojtësen e diskut, ndiqni procedurën e anasjellë të instalimit.

► Fig.9: 1. Mbrojtësja e diskut 2. Kutia mbajtëse 3. Vida

### Për vegël me mbrojtëse disku të llojit me levë mbërthyesë

Lironi vidën dhe pastaj tërhiqeni levën në drejtimin e shigjetës. Montojeni mbrojtësen e diskut me të dalat e rripit të mbrojtëses së diskut të bashkërenditur me dhëmbëzat e kutisë mbajtëse. Në vijim rrotullojeni mbrojtësen e diskut në kënd të atillë që të mund ta mbrojtë përdoruesin sipas punës që kryhet.

► Fig.10: 1. Mbrojtësja e diskut 2. Kutia mbajtëse 3. Vida 4. Leva

Tërhiqeni levën në drejtim të shigjetës. Më pas fiksoni mbrojtësen e diskut duke shtrenguar vidën. Sigurohuni që ta shtrëngoni mirë vidën. Këndi i qendrimit të mbrojtëses së diskut mund të rregullohet nëpërmjet levës.

► Fig.11: 1. Vida 2. Leva

Për ta hequr mbrojtësen e diskut, ndiqni procedurën e anasjellë të instalimit.

### Instalimi ose heqja e diskut me qendër të shtypur ose diskut me kënd

#### Aksesorë opsionalë

**▲PARALAJMËRIM:** Kur përdorni disk me qendër të shtypur ose disk me kënd, mbrojtësja e diskut duhet të përshtatet në vegël në mënyrë të tillë që ana e mbyllur e mbrojtëses të tregojë gjithnjë nga përdoruesi.

**▲KUJDES:** Sigurohuni që pjesa e montimit të flanxhës së brendshme të përputhet me diametrin e brendshëm të diskut me qendër të shtypur / diskut me kënd. Montimi i flanxhës së brendshme në anën e gabuar mund të shkaktojë dridhje të rrezikshme.

Montoni flanxhën e brendshme në bosht.

Sigurohuni që pjesën e dhëmbëzuar të flanxhës së brendshme ta vendosni mbi pjesën e drejtë poshtë boshtit.

Futni diskut me qendër të shtypur / diskut me kënd në flanxhën e brendshme dhe vidhoseni dadon bllokuese te boshti.

► Fig.12: 1. Dado e kyçjes 2. Disk me qendër të shtypur 3. Flanxha e brendshme 4. Pjesa e montimit

Për ta shtrënguar dadon bllokuese, shtypni bllokimin e boshtit aq fort sa boshti të mos rrotullohet më, pastaj përdorni çelësin e dados së bllokimit dhe shtrëngojeni mirë në drejtim të akrepave të orës.

► Fig.13: 1. Çelësi i dados së bllokimit 2. Bllokuesi i boshtit

Për ta hequr diskut, ndiqni procedurën e anasjellë të instalimit.

## Instalimi ose heqja e diskut fleksibël

### Aksesorë opsionalë

**▲ PARALAJMËRIM:** Përdorni gjithmonë mbrojtësen e dhënë me veglën kur diskut fleksibël është i vendosur mbi vegël. Disku mund të thyhet gjatë përdorimit dhe mbrojtësja ndihmon në uljen e mundësive për lëndime personale.

► **Fig.14:** 1. Dado e kyçes 2. Disku fleksibël 3. Pllaka rezervë 4. Flanxha e brendshme

Ndiqni udhëzimet për diskutin me qendër të shtypur, por përdorni edhe pllakën rezervë mbi diskut. Shihni radhën e montimit në faqen e aksesorëve në këtë manual.

## Instalimi ose heqja e diskut abraziv

### Aksesorë opsionalë

**SHËNIM:** Përdorni vetëm aksesorët rektifikues të përcaktuar në këtë manual. Këto duhet të blihen më vete.

## Për modelin 100 mm

► **Fig.15:** 1. Dadoja bllokuese 2. Disk smerilimi 3. Blloku prej gome 4. Flanxha e brendshme

1. Montoni flanxhën e brendshme në bosht.
  2. Montoni bllokun e gomës në bosht.
  3. Futni diskutin në pllakën prej gome dhe vidhosni dadon bllokuese në bosht.
  4. Mbajeni boshtin me bllokuesin e boshtit, dhe shtërngoni mirë dadon bllokuese në drejtim të kundërt të akrepave të orës me çelësin për dadon e bllokimit.
- Për ta hequr diskutin, ndiqni procedurën e anasjellë të instalimit.

## Për modelin 115 mm / 125 mm

► **Fig.16:** 1. Dadoja bllokuese 2. Disk smerilimi 3. Blloku prej gome

1. Montoni bllokun e gomës në bosht.
  2. Futni diskutin në pllakën prej gome dhe vidhosni dadon bllokuese në bosht.
  3. Mbajeni boshtin me bllokuesin e boshtit, dhe shtërngoni mirë dadon bllokuese në drejtim të kundërt të akrepave të orës me çelësin për dadon e bllokimit.
- Për ta hequr diskutin, ndiqni procedurën e anasjellë të instalimit.

## Lidhja me një fshesë me korrent

### Aksesorë opsionalë

**▲ PARALAJMËRIM:** Asnjëherë mos i thithni me fshesë me korrent grimat e metalit të krijuara nga puna e lëmimit/prerjes/smerilimit. Grimcat e metalit të krijuara nga kjo punë janë aq të nxehta sa e ndezin pluhurin dhe filtrin brenda fshesës me korrent.

Për të shmangur një ambient me pluhur të krijuar nga prerja e tullave, përdorni mbrojtësen e fletës për grumbullimin e pluhurit dhe një fshesë me korrent. Referojuni manualit të përdorimit të bashkëngjitur të mbrojtësja e fletës për grumbullimin e pluhurit për montimin dhe përdorimin e saj.

► **Fig.17:** 1. Mbrojtësja e fletës për grumbullimin e pluhurit 2. Tubi i fshesës me korrent

## PËRDORIMI

**▲ PARALAJMËRIM:** Nuk duhet të jetë kurrë e nevojshme të sforconi veglën. Peshja e veglës jep presionin e duhur. Sforcimi dhe presioni i tepërt mund të shkaktojnë thyerje të rrezikshme të diskut.

**▲ PARALAJMËRIM:** Zëvendësojeni GJITHMONË diskutin nëse vegla bie gjatë lëmimit.

**▲ PARALAJMËRIM:** Mos e përplasni apo godisni KURRË diskutin e lëmimit në punë.

**▲ PARALAJMËRIM:** Shmangni kërcimet dhe ngecjen e diskut, veçanërisht kur punoni me këndet, cepat e mprehtë, etj. Kjo mund të shkaktojë humbje të kontrollit dhe kundërveprim.

**▲ PARALAJMËRIM:** Mos e përdorni KURRË veglën me disqe për prerje të drurit apo disqe të tjera sharrash. Tehet e tilla kur përdoren me lëmues kërcëjnë shpesh dhe shkaktojnë humbje të kontrollit që mund të sjellë lëndimin tuaj.

**▲ KUJDES:** Mos e ndizni kurrë veglën kur është në kontakt me materialin e punës. Kjo mund të shkaktojë lëndim të përdoruesit.

**▲ KUJDES:** Gjithmonë përdorni syze mbrojtëse ose një mbrojtëse të fytyrës gjatë punës.

**▲ KUJDES:** Pas pune fikeni gjithnjë veglën dhe prisni derisa disku të ndalojë tërësisht përpara se ta vendosni veglën diku.

**▲ KUJDES:** Mbajeni veglën GJITHMONË mirë me njërin dorë në trup dhe me tjetrën në mbajtësen (dorezën) anësore.

## Lëmimi dhe smerilimi

► **Fig.18**

Ndizni veglën dhe më pas vendosni diskutin mbi materialin e punës.

Përgjithësisht, mbajeni buzën e diskutit në një kënd rreth 15° ndaj sipërfaqes së materialit të punës.

Gjatë periudhës së përdorimit të një disku të ri, mos e përdorni lëmuesin në drejtimin përpara sepse përndryshe mund të futet në materialin e punës. Pasi buza e diskut të jetë rrumbullakosur nga përdorimi, disku mund të përdoret si në drejtimin përpara ashtu dhe në drejtimin prapa.

## Puna me disk prerës smeril / disk diamanti

### Aksesorë opsionalë

**▲ PARALAJMËRIM:** Kur përdorni disk smeril prerës / diamanti, sigurohuni të përdorni vetëm mbrojtësen e posaçme të diskut të projektuar për përdorim me disqe prerëse.

(Në disa vende të Evropës, kur përdorni disk diamanti, mund të përdorni mbrojtësen e zakonshme. Ndiqni rregullat e shtetit ku ndodhëni.)

**▲ PARALAJMËRIM:** Mos përdorni KURRË disk prerës për lënim anësor.

**▲ PARALAJMËRIM:** Mos e "bllokoni" diskun ose mos aplikoni presion të tepërt mbi të. Mos provoni të kryeni prerje të thella. Sforcimi i tepërt i diskut shton ngarkesën dhe gjasat për përdredhje ose kapje të diskut përgjatë prerjes dhe mundësinë e zbrapsjes, mund të ndodhë thyerje e diskut ose mbinxehje e motorit.

**▲ PARALAJMËRIM:** Mos e filloni prerjen brenda materialit të punës. Lëreni diskun të kapë shpejtësinë maksimale dhe filloni me kujdes prerjen duke e lëvizur veglën përpara mbi sipërfaqen e materialit të punës. Disku mund të kapet, të kërcejë sipër ose të zbrapset nëse vegla elektrike nisat brenda materialit të punës.

**▲ PARALAJMËRIM:** Gjatë prerjeve mos e ndryshoni kurrë këndin e diskut. Ushtrimi i presionit anësor mbi diskun prerës (ashtu si gjatë lënimimit) do të shkaktojë krisjen dhe thyerjen e diskut, duke ju shkaktuar lëndime të rënda.

**▲ PARALAJMËRIM:** Disku i diamantit duhet të përdoret pingul mbi materialin që do të pritret.

- **Fig.19:** 1. Dado e kyçjes 2. Disku prerës smeril / disku i diamantit 3. Flanxha e brendshme 4. Mbrojtësja e diskut për diskun smerilues prerës / diskun e diamantit

Njëllaj si me instalimin, ndiqni udhëzimet për diskun e me qendër të shtypur.

Drejtimi për montimin e dados së bllokimit dhe të flanzhës së brendshme ndryshon sipas llojit dhe trashësisë së diskut.

Referojuni figurave më poshtë.

## Për modelin 100 mm

Kur instaloni diskun smerilues prerës:

- **Fig.20:** 1. Dado e kyçjes 2. Disku smerilues prerës (më i hollë se 4 mm) 3. Disku smerilues prerës (4 mm ose më i trashë) 4. Flanxha e brendshme

Kur instaloni diskun e diamantit:

- **Fig.21:** 1. Dado e kyçjes 2. Disku i diamantit (më i hollë se 4 mm) 3. Disku i diamantit (4 mm ose më i trashë) 4. Flanxha e brendshme

## Për modelin 115 mm / 125 mm

Kur instaloni diskun smerilues prerës:

- **Fig.22:** 1. Dado e kyçjes 2. Disku smerilues prerës (më i hollë se 4 mm) 3. Disku smerilues prerës (4 mm ose më i trashë) 4. Flanxha e brendshme

Kur instaloni diskun e diamantit:

- **Fig.23:** 1. Dado e kyçjes 2. Disku i diamantit (më i hollë se 4 mm) 3. Disku i diamantit (4 mm ose më i trashë) 4. Flanxha e brendshme

## Vënia në punë me furça me kupë me tela

### Aksesorë opsionalë

**▲ KUJDES:** Kontrolloni funksionimin e furçës duke e ndezur veglën pa ngarkesë, duke u siguruar se nuk ndodhet askush përpara ose në një drejtim me furçën.

**▲ KUJDES:** Mos përdorni furçë të dëmtuar ose jo të ekuilibruar. Përdorimi i furçës së dëmtuar mund të rrisë mundësitë për lëndime nga kontakti me telat e prishura të furçës.

- **Fig.24:** 1. Furçë me kupë me tela

Hiqni kutinë e baterisë nga vegla dhe vendoseni me kokë poshtë për të lejuar futjen e lehtë të boshtit. Hiqni çdo aksesor nga boshti. Montoni në bosht furçën me kupë me tela dhe shtrëngojeni me çelësin e ofruar.

**VINI RE:** Shmangni aplikimin e presionit të tepërt që shkakton përkuljen e telave kur përdorni furçën. Kjo mund të sjellë prishje të parakohshme.

## Vënia në punë me furça disku me tela

### Aksesorë opsionalë

**▲ KUJDES:** Kontrolloni funksionimin e diskut me furçë me tela duke e ndezur veglën pa ngarkesë, duke u siguruar se nuk ndodhet askush përpara ose në një drejtim me diskun me furçë me tela.

**▲ KUJDES:** Mos përdorni disk me furçë me tela të dëmtuar ose jo të ekuilibruar. Përdorimi i diskut me furçë me tela të dëmtuar mund të rrisë mundësitë për lëndime nga kontakti me telat e prishura.

**▲ KUJDES:** Përdorni GJITHMONË mbrojtësen për diskun me furçë me tela, duke u siguruar që diametri i diskut të përputhet brenda mbrojtëses. Disku mund të thyhet gjatë përdorimit dhe mbrojtësja ndihmon në uljen e mundësive për lëndime personale.

- **Fig.25:** 1. Furçë disku me tela

Hiqni kutinë e baterisë nga vegla dhe vendoseni me kokë poshtë për të lejuar futjen e lehtë të boshtit. Hiqni çdo aksesor nga boshti. Filetoni në bosht diskun me furçë me tela dhe shtrëngojeni me çelës.

**VINI RE:** Shmangni aplikimin e presionit të tepërt që shkakton përkuljen e telave kur përdorni furçë disku me tela. Kjo mund të sjellë prishje të parakohshme.

# FUNKSIONI I AKTIVIZIMIT TË LIDHJES ME VALË

Vetëm për DGA412/DGA414/DGA462/DGA464/  
DGA512/DGA514

## Çfarë mund të bëni me funksionin e aktivizimit të lidhjes me valë

Funksioni i aktivizimit të lidhjes me valë mundëson përdorim të pastër dhe të rehatshëm. Duke lidhur një fshesë të mbështetur me korrent me vegëlën, mund ta përdorni fshesën automatikisht bashkë me mekanizmin e funksionimit të vegëlës.

### ► Fig.26

Për përdorimin e funksionit të aktivizimit të lidhjes me valë, përgatitni sa më poshtë:

- Një njësi me valë
- Një fshesë me korrent që mbështet funksionin e aktivizimit të lidhjes me valë

Pamja e përgjithshme e cilësimit të funksionit të aktivizimit të lidhjes me valë është si në vijim. Referojuni seksioneve përkatëse për procedurat e detajuara.

1. Instalimi i njësisë me valë
2. Regjistrimi i vegëlës për fshesën me korrent
3. Nisja e funksionit të aktivizimit të lidhjes me valë

## Instalimi i njësisë me valë

**▲ KUJDES:** Kur instaloni njësinë me valë, vendoseni vegëlën në një sipërfaqe të sheshtë dhe të qëndrueshme.

**VINI RE:** Përpara se të instaloni njësinë me valë, pastroni pluhurin dhe papastërtitë në vegël. Pluhuri ose papastërtitë mund të shkaktojnë keqfunksionim nëse hyjnë në fole në njësisë me valë.

**VINI RE:** Për të parandaluar keqfunksionimin që shkaktohet nga elektriciteti statik, përpara se të ngrini njësinë me valë, prekni një material që shkarkon elektricitetin statik, si p.sh. një pjesë metalike të vegëlës.

**VINI RE:** Kur instaloni njësinë me valë, sigurohuni gjithmonë që njësia me valë të jetë e vendosur në drejtimin e duhur dhe kapaku të jetë i mbyllur plotësisht.

1. Hapni kapakun në vegëlë siç tregohet në figurë.

### ► Fig.27: 1. Kapaku

2. Vendosni njësinë me valë në fole dhe më pas mbyllni kapakun.

Kur vendosni njësinë me valë, bashkërenditni pjesët e dala me pjesët e futura në fole.

- Fig.28: 1. Njësia me valë 2. Pjesa e dalë 3. Kapaku 4. Pjesa e futur

Kur hiqni njësinë me valë, hapni ngadalë kapakun. Grepit në pjesën e pasme të kapakut do ta ngrënë njësinë me valë ndërsa ju tërhiqni lart kapakun.

- Fig.29: 1. Njësia me valë 2. Grepit 3. Kapaku

Pasi ta hiqni njësinë me valë, vendoseni në kasën e dhënë ose në një enë pa elektricitet statik.

**VINI RE:** Përdorni gjithmonë grepat në pjesën e pasme të kapakut kur hiqni njësinë me valë. Nëse grepat nuk e kapin njësinë me valë, mbyllni plotësisht kapakun dhe hapeni sërish ngadalë.

## Regjistrimi i vegëlës për fshesën me korrent

**SHËNIM:** Për regjistrimin e vegëlës nevojitet fshesë me korrent "Makita" që mbështet funksionin e aktivizimit të lidhjes me valë.

**SHËNIM:** Përfundoni instalimin e njësisë me valë në vegëlë përpara se të nisni regjistrimin e vegëlës.

**SHËNIM:** Gjatë regjistrimit të vegëlës, mos e tërhiqni këmbëzën e çelësit ose mos ndizni çelësin e energjisë në fshesën me korrent.

**SHËNIM:** Gjithashtu, referojuni manualit të përdorimit të fshesës me korrent.

Nëse dëshironi të aktivizoni fshesën me korrent bashkë me mekanizmin e funksionimit të vegëlës, kryeni paraprakisht regjistrimin e vegëlës.

1. Instaloni bateritë në fshesën me korrent dhe në vegëlë.
2. Vendoseni çelësin e pushimit në fshesën me korrent në "AUTO".

### ► Fig.30: 1. Çelësi i pushimit

3. Shtypni butonin e aktivizimit të lidhjes me valë në fshesën me korrent për 3 sekonda derisa llamba e aktivizimit të lidhjes me valë të pulsojë në të gjelbër. Më pas, në të njëjtën mënyrë shtypni butonin e aktivizimit të lidhjes me valë në vegëlë.

### ► Fig.31: 1. Butoni i aktivizimit të lidhjes me valë 2. Llamba e aktivizimit të lidhjes me valë

Nëse fshesa me korrent dhe vegla lidhen me sukses, llamba e aktivizimit të lidhjes me valë do të ndizet në të gjelbër për 2 sekonda dhe më pas do të fillojë të pulsojë në blu.

**SHËNIM:** Llamba e aktivizimit të lidhjes me valë përfundon pulsmin në të gjelbër pasi kalojnë 20 sekonda. Shtypni butonin e aktivizimit të lidhjes me valë në vegëlë ndërkohë që llamba e aktivizimit të lidhjes me valë në fshesë është duke pulsuar. Nëse llamba e aktivizimit të lidhjes me valë nuk pulson në të gjelbër, shtypni shkurtimisht butonin e aktivizimit të lidhjes me valë dhe mbajeni sërish pa lëvizur.

**SHËNIM:** Kur kryeni dy ose më shumë regjistrime të vegëlës për një fshesë me korrent, përfundojini ato një një.

## Nisja e funksionit të aktivizimit të lidhjes me valë

**SHËNIM:** Përfundoni regjistrimin e vegëlës për fshesën me korrent përpara aktivizimit të lidhjes me valë.

**SHËNIM:** Gjithashtu, referojuni manualit të përdorimit të fshesës me korrent.

Pas regjistrimit të vegëlës në fshesën me korrent, kjo e fundit do të funksionojë automatikisht me mekanizmin e funksionimit të vegëlës.



1. Instaloni njësinë me valë në vegël.
2. Lidhni tubin e fshesës me korrent me veglën.  
► **Fig.32**
3. Vendoseni çelësin e pushimit në fshesën me korrent në "AUTO".  
► **Fig.33:** 1. Çelësi i pushimit
4. Shtypni shkurtimisht butonin e aktivizimit të lidhjes me valë në vegël. Llamba e aktivizimit të lidhjes me valë do të pulsojë në blu.  
► **Fig.34:** 1. Butoni i aktivizimit të lidhjes me valë  
2. Llamba e aktivizimit të lidhjes me valë
5. Tërhiqni këmbëzën e çelësit të veglës. Kontrolloni nëse fshesa me korrent funksionon me këmbëzën e çelësit të tërhequr.

Për të ndaluar aktivizimin e lidhjes me valë të fshesës me korrent, shtypni butonin e aktivizimit të lidhjes me valë në vegël.

**SHËNIM:** Llamba e aktivizimit të lidhjes me valë në vegël do të ndalojë pulsimin në blu kur nuk kryhet asnjë veprim për 2 orë. Në këtë rast, vendoseni çelësin e pushimit në fshesën me korrent në "AUTO" dhe shtypni sërish butonin e aktivizimit të lidhjes me valë në vegël.

**SHËNIM:** Fshesa me korrent ndizet/fiket me vonesë. Diktimi i mekanizmit të funksionimit të veglës nga fshesa me korrent kërkon pak kohë.

**SHËNIM:** Largësia e transmetimit të njësisë me valë mund të ndryshojë në varësi të vendndodhjes dhe kushteve të mjedisit përreth.

**SHËNIM:** Kur dy ose më shumë vegla regjistrohen në një fshesë me korrent, kjo e fundit mund të fillojë të punojë edhe nëse nuk keni tërhequr këmbëzën e çelësit pasi një përdorues tjetër po përdor funksionin e aktivizimit të lidhjes me valë.

## Përshkrim i statusit të llambës së aktivizimit të lidhjes me valë

► **Fig.35:** 1. Llamba e aktivizimit të lidhjes me valë

Llamba e aktivizimit të lidhjes me valë tregon statusin e funksionit të aktivizimit të lidhjes me valë. Referojuni tabelës më poshtë për kuptimin e statusit të llambës.

Statusi	Llamba e aktivizimit të lidhjes me valë			Kohëzgjatja	Përshkrimi
	Ngjyra	<input type="checkbox"/> Ndezur	<input checked="" type="checkbox"/> Duke pulsuar		
Pushim	Blu	<input checked="" type="checkbox"/>		2 orë	Aktivizimi i lidhjes me valë i fshesës me korrent është i disponueshëm. Llamba do të fiket automatikisht nëse nuk kryhet asnjë veprim për 2 orë.
		<input type="checkbox"/>		Kur vegla është duke punuar.	Aktivizimi i lidhjes me valë i fshesës me korrent është i disponueshëm dhe vegla është duke punuar.
Regjistrimi i veglës	E gjelbër	<input checked="" type="checkbox"/>		20 sekonda	Gati për regjistrimin e veglës. Në pritje të regjistrimit nga fshesa me korrent.
		<input type="checkbox"/>		2 sekonda	Regjistrimi i veglës ka përfunduar. Llamba e aktivizimit të lidhjes me valë do të fillojë të pulsojë në blu.
Anulimi i regjistrimit të veglës	E kuqe	<input checked="" type="checkbox"/>		20 sekonda	Gati për anulimin e regjistrimit të veglës. Në pritje të anulimit nga fshesa me korrent.
		<input type="checkbox"/>		2 sekonda	Anulimi i regjistrimit të veglës ka përfunduar. Llamba e aktivizimit të lidhjes me valë do të fillojë të pulsojë në blu.
Tjetër	E kuqe	<input type="checkbox"/>		3 sekonda	Njësia me valë po furnizohet me energji dhe funksioni i aktivizimit të lidhjes me valë po fillon.
	Fikur	-	-	-	Aktivizimi i lidhjes me valë i fshesës me korrent ka ndaluar.

## Anulimi i regjistrimit të veglës për fshesën me korrent

Kryeni procedurën e mëposhtme për anulimin e regjistrimit të veglës për fshesën me korrent.

1. Instaloni bateritë në fshesën me korrent dhe në vegël.
2. Vendoseni çelësin e pushimit në fshesën me korrent në "AUTO".  
► **Fig.36:** 1. Çelësi i pushimit
3. Shtypni butonin e aktivizimit të lidhjes me valë në fshesën me korrent për 6 sekonda. Llamba e aktivizimit të lidhjes me valë pulson në të gjelbër dhe më pas bëhet e kuqe. Pas kësaj, në të njëjtën mënyrë shtypni butonin e aktivizimit të lidhjes me valë në vegël.

► **Fig.37:** 1. Butoni i aktivizimit të lidhjes me valë  
2. Llamba e aktivizimit të lidhjes me valë

Nëse anulimi kryhet me sukses, llamba e aktivizimit të lidhjes me valë do të ndizet në të kuqe për 2 sekonda dhe më pas do të fillojë të pulsojë në blu.

**SHËNIM:** Llamba e aktivizimit të lidhjes me valë përfundon pulsimin në të kuqe pasi kalojnë 20 sekonda. Shtypni butonin e aktivizimit të lidhjes me valë në vegël ndërkohë që llamba e aktivizimit të lidhjes me valë në fshesë është duke pulsuar. Nëse llamba e aktivizimit të lidhjes me valë nuk pulson në të kuqe, shtypni shkurtimisht butonin e aktivizimit të lidhjes me valë dhe mbajeni sërish pa lëvizur.

## Zgjidhja e problemeve për funksionin e aktivizimit të lidhjes me valë

Përpara se të kërkon riparime bëni inspektimet tuaja. Nëse zbuloni ndonjë problem që nuk shpjegohet në manual, mos u mundoni të çmontoni veglën. Por për riparime drejtojuni Qendrave të Autorizuara të Shërbimit Makita, duke përdorur gjithmonë pjesë zëvendësuese Makita.

Gjendja anormale	Shkaku i mundshëm (keqfunksionimi)	Zgjidhja
Llamba e aktivizimit të lidhjes me valë nuk ndizet/pulson.	Njësia me valë nuk është instaluar në vegël. Njësia me valë nuk është instaluar saktë në vegël.	Instaloni siç duhet njësinë me valë.
	Terminali i njësisë me valë dhe/ose foleja është ndotur.	Fshini lehtë pluhurin dhe papastërtitë në terminalin e njësisë me valë dhe pastroni folenë.
	Butoni i aktivizimit të lidhjes me valë në vegël nuk është shtypur.	Shtypni shkurtimisht butonin e aktivizimit të lidhjes me valë në vegël.
	Çelësi i pushimit në fshesën me korrent nuk është vendosur në "AUTO".	Vendoseni çelësin e pushimit në fshesën me korrent në "AUTO".
	Nuk ka furnizim me energji	Furnizoni me energji veglën dhe fshesën me korrent.
Regjistrimi i veglës / anulimi i regjistrimit të veglës nuk kryhet me sukses.	Njësia me valë nuk është instaluar në vegël. Njësia me valë nuk është instaluar saktë në vegël.	Instaloni siç duhet njësinë me valë.
	Terminali i njësisë me valë dhe/ose foleja është ndotur.	Fshini lehtë pluhurin dhe papastërtitë në terminalin e njësisë me valë dhe pastroni folenë.
	Çelësi i pushimit në fshesën me korrent nuk është vendosur në "AUTO".	Vendoseni çelësin e pushimit në fshesën me korrent në "AUTO".
	Nuk ka furnizim me energji	Furnizoni me energji veglën dhe fshesën me korrent.
	Përdorim i pasaktë	Shtypni shkurtimisht butonin e aktivizimit të lidhjes me valë dhe kryeni sërish procedurat e regjistrimit/ anulimit të regjistrimit të veglës.
	Vegla dhe fshesa me korrent janë larg njëra-tjetrës (jashtë rrezes së transmetimit).	Sillni veglën dhe fshesën me korrent më pranë njëra-tjetrës. Largësia maksimale e transmetimit është afërsisht 10 m, megjithatë mund të ndryshojë në varësi të rrethanave.
	Përpara kryerjes së regjistrimit/anulimit të regjistrimit të veglës; - këmbëza e çelësit në vegël është e tërhequr ose; - butoni i energjisë në fshesën me korrent është aktivizuar.	Shtypni shkurtimisht butonin e aktivizimit të lidhjes me valë dhe kryeni sërish procedurat e regjistrimit/ anulimit të regjistrimit të veglës.
	Procedurat e regjistrimit të veglës për veglën apo fshesën me korrent nuk kanë përfunduar.	Kryeni njëkohësisht procedurat e regjistrimit të veglës, si për veglën edhe për fshesën me korrent.
Çrregullimet e radiofrekuencave nga pajisjet e tjera që gjenerojë radiovalë me intensitet të lartë.	Mbani veglën dhe fshesën me korrent larg nga pajisje të tilla si pajisje me "Wi-Fi" dhe furra me mikrovalë.	



Gjendja anormale	Shkaku i mundshëm (keqfunksionimi)	Zgjidhja
Fshesa me korrent nuk funksionon bashkë me mekanizmin e funksionimit të veglës.	Njësia me valë nuk është instaluar në vegël. Njësia me valë nuk është instaluar saktë në vegël.	Instaloni siç duhet njësinë me valë.
	Terminali i njësisë me valë dhe/ose foleja është ndotur.	Fshini lehtë pluhurin dhe papastërtitë në terminalin e njësisë me valë dhe pastroni folenë.
	Butoni i aktivizimit të lidhjes me valë në vegël nuk është shtypur.	Shtypni shkurtimisht butonin e aktivizimit të lidhjes me valë dhe sigurohuni që llamba e aktivizimit të lidhjes me valë po pulson në blu.
	Çelësi i pushimit në fshesën me korrent nuk është vendosur në "AUTO".	Vendoseni çelësin e pushimit në fshesën me korrent në "AUTO".
	Janë regjistruar mbi 10 vegla në fshesën me korrent.	Kryeni sërish regjistrimin e veglës. Nëse janë regjistruar mbi 10 vegla në fshesën me korrent, vegla që është regjistruar më herët do të fshihet automatikisht.
	Fshesa me korrent ka fshirë të gjitha regjistrimet e veglave.	Kryeni sërish regjistrimin e veglës.
	Nuk ka furnizim me energji	Furnizoni me energji veglën dhe fshesën me korrent.
	Vegla dhe fshesa me korrent janë larg njëra-tjetrës (jashtë rrezes së transmetimit).	Sillni veglën dhe fshesën me korrent më pranë njëra-tjetrës. Largësia maksimale e transmetimit është afërsisht 10 m, megjithatë mund të ndryshojë në varësi të rrethanave.
	Çrregullimet e radiofrekuencave nga pajisjet e tjera që gjenerojë radiovalë me intensitet të lartë.	Mbani veglën dhe fshesën me korrent larg nga pajisje të tilla si pajisje me "Wi-Fi" dhe furra me mikrovalë.
Fshesa me korrent punon me këmbëzën e çelësit të patërhequr.	Përdorues të tjerë po përdorin funksionin e aktivizimit të lidhjes me valë të fshesës me korrent me veglat e tyre.	Çaktivizoni butonin e aktivizimit të lidhjes me valë të veglave të tjera ose anuloni regjistrimin e veglave të tjera.

## MIRËBAJTJA

**⚠️KUJDES:** Sigurohuni gjithmonë që vegla të jetë fikur dhe të jetë hequr nga bateria përpara se të kryeni inspektimin apo mirëmbajtjen.

**VINI RE:** Mos përdorni kurrë benzinë, benzinë pastrimi, hollues, alkool dhe të ngjashme. Mund të shkaktoni çngjyrosje, deformime ose krisje.

## Pastrimi i vrimave të ajrit

Vegla dhe ventilatorët e saj duhen mbajtur pastër. Pastrojeni rregullisht vrimat e ajrit të veglës ose kurdo që nisin të bllokohen.

► **Fig.38:** 1. Vrima e daljes 2. Vrima e hyrjes

Hiqni kapakun e pluhurit nga ventilatori thithës dhe pastrojeni në mënyrë që ajri të qarkullojë lirshëm.

► **Fig.39:** 1. Kapaku për pluhurin

**VINI RE:** Pastroni kapakun e pluhurit kur është i bllokuar me pluhur ose materiale të tjera. Vazhdimi i punës kur kapaku i pluhurit është i bllokuar mund të dëmtojë veglën.

# AKSESORË OPSIONALË

**⚠️KUJDES:** Këta aksesorë ose shtojca rekomandohen për përdorim me veglën Makita të përcaktuar në këtë manual. Përdorimi i aksesorëve apo shtojcave të tjera ndryshe nga këto mund të përbëjë rrezik lëndimi. Aksesorët ose shtojcat përdorini vetëm për qëllimin e tyre të përcaktuar.

Nëse keni nevojë për më shumë të dhëna në lidhje me aksesorët, pyesni qendrën vendore të shërbimit të Makita-s.

- Bateria dhe ngarkues origjinal Makita
- Njësia me valë (për modelet me funksionin e aktivizimit të lidhjes me valë)

► Fig.40

-	Modeli 100 mm	Modeli 115 mm	Modeli 125 mm
1	Mbajtësja 36		
2	Mbrojtësja e diskut (për disqet lëmues)		
3	Flanxha e brendshme		
4	Disku me qendër të shtypur / Disku me kënd		
5	Dado e kyçjes		
6	Pllaka rezervë		
7	Disku fleksibël		
8	Flanxha e brendshme dhe pafta e gomës 76	Pllaka e gomës 100	Pllaka e gomës 115
9	Disk smerilimi		
10	Dadoja bllokuese		
11	Furçë disku me tela		
12	Furçë me kupë me tela		
13	Mbrojtësja e diskut (për disqet prerës) *1		
14	Disku prerës smeril / Disku i diamantit		
15	Mbrojtësja e fletës për grumbullimin e pluhurit		
-	Çelësi i dados së bllokimit		

**SHËNIM:** \*1 Në disa vende evropiane, kur përdoret një disk diamanti, mund të përdoret mbrojtësja e zakonshme që mbulon të dyja anët e diskut. Ndiqni rregullat e shtetit ku ndodhni.

**SHËNIM:** Disa artikuj të listës mund të përfshihen në paketën e veglës si aksesorë standardë. Ato mund të ndryshojnë nga njëri shtet në tjetrin.

## СПЕЦИФИКАЦИИ

Модел:	DGA411	DGA412	DGA413	DGA414
Диаметър на диска	100 мм (4")			
Макс. дебелина на диска	6,4 мм			
Резба на вала	M10			
Номинални обороти (n)	8 500 мин <sup>-1</sup>			
Обща дължина	382 мм			
Номинално напрежение	Постоянно напрежение 18 V			
Нето тегло	2,2 – 2,8 кг			
Електрическа спирачка	-		✓	
Функция за безжично активиране	-	✓	-	✓

Модел:	DGA461	DGA462	DGA463	DGA464
Диаметър на диска	115 мм (4-1/2")			
Макс. дебелина на диска	7,2 мм			
Резба на вала	M14 или 5/8" (зависи от държавата)			
Номинални обороти (n)	8 500 мин <sup>-1</sup>			
Обща дължина	382 мм			
Номинално напрежение	Постоянно напрежение 18 V			
Нето тегло	2,3 – 3,0 кг			
Електрическа спирачка	-		✓	
Функция за безжично активиране	-	✓	-	✓

Модел:	DGA511	DGA512	DGA513	DGA514
Диаметър на диска	125 мм (5")			
Макс. дебелина на диска	7,2 мм			
Резба на вала	M14 или 5/8" (зависи от държавата)			
Номинални обороти (n)	8 500 мин <sup>-1</sup>			
Обща дължина	382 мм			
Номинално напрежение	Постоянно напрежение 18 V			
Нето тегло	2,3 – 3,0 кг		2,4 – 3,0 кг	
Електрическа спирачка	-		✓	
Функция за безжично активиране	-	✓	-	✓

- Поради нашата непрекъсната научно-развойна дейност посочените тук спецификации могат да бъдат променени без предизвестие.
- Спецификациите може да са различни в различните държави.
- Теглото може да се различава в зависимост от принадлежността(ите), включително акумулаторната батерия. Най-леката и най-тежката комбинация в съответствие с процедурата на ЕРТА 01/2014 са показани в таблицата.

### Приложима акумулаторна батерия

BL1815N / BL1820 / BL1820B / BL1830 / BL1830B / BL1840 / BL1840B / BL1850 / BL1850B / BL1860B

- Някои от акумулаторните батерии, посочени по-горе, може да не са налични в зависимост от региона на местоживеене.

**▲ ПРЕДУПРЕЖДЕНИЕ:** Използвайте само посочените по-горе акумулаторни батерии.

Използването на други акумулаторни батерии може да причини нараняване и/или пожар.

## Предназначение

Този инструмент е предназначен за шлайфане, шлифоване и рязане на метал и камък без използване на вода.

## Шум

Обичайното ниво на шума с тегловен коефициент А, определено съгласно EN60745:

Модел	Ниво на звуково налягане ( $L_{pA}$ ): (dB(A))	Ниво на звукова мощност ( $L_{WA}$ ): (dB(A))	Коефициент на неопределеност (K): (dB(A))
DGA411	80	-	3
DGA412	80	-	3
DGA413	80	-	3
DGA414	80	-	3
DGA461	79	-	3
DGA462	79	-	3
DGA463	79	-	3
DGA464	79	-	3
DGA511	79	-	3
DGA512	79	-	3
DGA513	79	-	3
DGA514	79	-	3

При работа нивото на шума може да превиши 80 dB (A).

**▲ ПРЕДУПРЕЖДЕНИЕ:** Използвайте предпазни средства за слуха.

## Вибрации

Общата стойност на вибрациите (сума от три осови вектора), определена съгласно EN60745:

**Работен режим: шлайфане на повърхности с нормална странична ръкохватка**

Модел	Ниво на вибрации ( $a_{h, AG}$ ): ( $m/s^2$ )	Коефициент на неопределеност (K): ( $m/s^2$ )
DGA411	4,5	1,5
DGA412	4,5	1,5
DGA413	4,5	1,5
DGA414	4,5	1,5
DGA461	6,5	1,5
DGA462	6,5	1,5
DGA463	6,5	1,5
DGA464	6,5	1,5
DGA511	6,5	1,5
DGA512	6,5	1,5
DGA513	6,5	1,5
DGA514	6,5	1,5

**Работен режим: шлайфане на повърхности с антивибрационна странична ръкохватка**

Модел	Ниво на вибрации ( $a_{н, AG}$ ): ( $m/s^2$ )	Коефициент на неопределеност (K): ( $m/s^2$ )
DGA411	4,0	1,5
DGA412	4,0	1,5
DGA413	4,0	1,5
DGA414	4,0	1,5
DGA461	6,0	1,5
DGA462	6,0	1,5
DGA463	6,0	1,5
DGA464	6,0	1,5
DGA511	6,0	1,5
DGA512	6,0	1,5
DGA513	6,0	1,5
DGA514	6,0	1,5

**Работен режим: шкуркане с диск с нормална странична ръкохватка**

Модел	Ниво на вибрациите ( $a_{н, DS}$ ): ( $m/s^2$ )	Коефициент на неопределеност (K): ( $m/s^2$ )
DGA411	2,5 $m/s^2$ или по-малко	1,5
DGA412	2,5 $m/s^2$ или по-малко	1,5
DGA413	2,5 $m/s^2$ или по-малко	1,5
DGA414	2,5 $m/s^2$ или по-малко	1,5
DGA461	2,5 $m/s^2$ или по-малко	1,5
DGA462	2,5 $m/s^2$ или по-малко	1,5
DGA463	2,5 $m/s^2$ или по-малко	1,5
DGA464	2,5 $m/s^2$ или по-малко	1,5
DGA511	2,5 $m/s^2$ или по-малко	1,5
DGA512	2,5 $m/s^2$ или по-малко	1,5
DGA513	2,5 $m/s^2$ или по-малко	1,5
DGA514	2,5 $m/s^2$ или по-малко	1,5

**Работен режим: шкуркане с диск с антивибрационна странична ръкохватка**

Модел	Ниво на вибрациите ( $a_{н, DS}$ ): ( $m/s^2$ )	Коефициент на неопределеност (K): ( $m/s^2$ )
DGA411	2,5 $m/s^2$ или по-малко	1,5
DGA412	2,5 $m/s^2$ или по-малко	1,5
DGA413	2,5 $m/s^2$ или по-малко	1,5
DGA414	2,5 $m/s^2$ или по-малко	1,5
DGA461	2,5 $m/s^2$ или по-малко	1,5
DGA462	2,5 $m/s^2$ или по-малко	1,5
DGA463	2,5 $m/s^2$ или по-малко	1,5
DGA464	2,5 $m/s^2$ или по-малко	1,5
DGA511	2,5 $m/s^2$ или по-малко	1,5
DGA512	2,5 $m/s^2$ или по-малко	1,5
DGA513	2,5 $m/s^2$ или по-малко	1,5
DGA514	2,5 $m/s^2$ или по-малко	1,5

**ЗАБЕЛЕЖКА:** Обявеното ниво на вибрациите е измерено в съответствие със стандартни методи за изпитване и може да се използва за сравняване на инструменти.

**ЗАБЕЛЕЖКА:** Освен това обявеното ниво на вибрациите може да се използва за предварителна оценка на вредното въздействие.

**▲ ПРЕДУПРЕЖДЕНИЕ:** Нивото на вибрациите при работа с електрическия инструмент може да се различава от обявената стойност в зависимост от начина на използване на инструмента.

**▲ ПРЕДУПРЕЖДЕНИЕ:** Задължително определете предпазни мерки за защита на оператора въз основа на оценка на риска в реални работни условия (като се вземат предвид всички съставни части на работния цикъл, като например момента на изключване на инструмента, работата на празен ход, както и времето на задействане).

**▲ ПРЕДУПРЕЖДЕНИЕ:** Обявеното ниво на вибрациите се използва за основните приложения на електрическия инструмент. Ако обаче инструментът се използва за други приложения, нивото на вибрациите може да е различно.

## ЕО декларация за съответствие

### Само за европейските страни

ЕО декларацията за съответствие е включена като Анекс А към тази инструкция за употреба.

## ПРЕДУПРЕЖДЕНИЯ ЗА БЕЗОПАСНОСТ

### Общи предупреждения за безопасност при работа с електрически инструменти

**▲ ПРЕДУПРЕЖДЕНИЕ:** Прочетете всички предупреждения, инструкции, илюстрации и спецификации за безопасността, предоставени с този електрически инструмент. При неспазване на изброените по-долу инструкции има опасност от токов удар, пожар и/или тежко нараняване.

## Запазете всички предупреждения и инструкции за справка в бъдеще.

Терминът "електрически инструмент" в предупрежденията се отнася за вашия инструмент (с кабел за включване в мрежата) или работещ на батерии (безжичен) електрически инструмент.

### Предупреждения за безопасност при работа с акумулаторен ъглошлиф

Общи предупреждения за безопасност при шлайфане, шлифване, почистване с телена четка и рязане с абразивен диск:

1. Този електрически инструмент е предназначен да работи като инструмент за шлайфане, шлифване, почистване с телена четка или за рязане с абразивен диск. Прочетете всички предупреждения, инструкции, илюстрации и спецификации за безопасността, предоставени с този електрически инструмент. При неспазване на изброените по-долу инструкции има опасност от токов удар, пожар и/или тежко нараняване.

2. **Не се препоръчва използване на този електрически инструмент за операции като полиране.** Операции, за които електрическият инструмент не е предназначен, могат да бъдат опасни и да доведат до нараняване.
3. **Не използвайте принадлежности, които не са специално предназначени и препоръчани от производителя на инструмента.** Това, че дадена принадлежност може да бъде закрепена към инструмента, не осигурява безопасна му работа.
4. **Номиналната скорост на принадлежностите трябва да е най-малко равна на максималната скорост, означена на инструмента.** Принадлежности, които се въртят със скорост, по-висока от номиналната, могат да се счупят и да се разлетят на парчета.
5. **Външният диаметър и дебелината на вашите принадлежности трябва да отговарят на номиналния капацитет на вашия електрически инструмент.** Неправилно размерените принадлежности не могат да бъдат добре защитени или контролирани.
6. **Резбовите монтажни отвори на принадлежностите трябва да отговарят на резбата на шпиндела на шлайфмашината.** За монтираните чрез фланци принадлежности монтажните отвори на принадлежностите трябва да отговарят на центриращия диаметър на фланеца. Тези принадлежности, които не отговарят на монтажните елементи на електрическия инструмент, ще работят дебалансирано и могат да причинят загуба на контрол.
7. **Не използвайте повредени принадлежности.** Преди всяко използване проверявайте принадлежностите, например абразивните шайби за отчупвания и пукнатини, опорните подложки за пукнатини, скъсване или прекомерно износване, а телените четки – за хлабави или начупени телове. В случай на изпускане на инструмента или на някоя принадлежност ги проверете за повреда или монтирайте принадлежност, която не е повредена. След като огледате и поставите принадлежността, застанете заедно с хората около вас извън равнината на въртящата се принадлежност и включете инструмента на максимални обороти без натоварване в продължение на една минута. Ако принадлежността е повредена, тя ще се счупи по време на това изпитание.

8. **Използвайте лични предпазни средства. В зависимост от вида на приложението използвайте маска за лице или предпазни очила. При необходимост използвайте маска за прах, антифони, ръкавици и работна престилка, които да могат да ви предпазят от малки абразивни частици или парченца от обработвания детайл.** Предпазните средства за очите трябва да могат да спрат летящи отпадъци, създадени при различни операции. Маската за прах или дихателният апарат трябва да могат да филтрират твърдите частици, образувани по време на работа. Продължителното излагане на силен шум може да причини загуба на слуха.
9. **Страничните лица трябва да стоят на безопасно разстояние от работната зона. Всеки, който влиза в работната зона, трябва да използва лични предпазни средства.** Парчета от обработвания детайл или от счупена принадлежност могат да изхвърчат и да причинят наранявания извън непосредствената зона на работа.
10. **Дръжте електрическия инструмент само за изолираните и нехлъзгави повърхности, когато има опасност режещият диск да допре в скрити кабели.** При допир до проводник под напрежение токът може да премине през металните части на електрическия инструмент и да „удари“ работещия.
11. **Не оставяйте електрическия инструмент на земята, докато принадлежността не спре напълно да се върти.** Въртящата се принадлежност може да захване повърхността и да издърпа инструмента от ръцете ви.
12. **Не работете с електрическия инструмент, като го държите отстрани до тялото си.** При случаен допир с въртящата се принадлежност дрехите ви може да се разкъсат и да придърпат принадлежността към вашето тяло.
13. **Редовно почиствайте вентилационните отвори на инструмента.** Вентилаторът на двигателя засмуква прах в корпуса на инструмента, а натрупването на метален прах може да доведе до опасност от електрическа повреда.
14. **Не използвайте електрическия инструмент в близост до леснозапалими материали.** Искрите могат да запалят тези материали.
15. **Не използвайте принадлежности, за които се изисква водно охлаждане.** Използването на вода или други охлаждащи течности може да доведе до токов удар и дори до смърт.

#### **Обратен удар и съответни предупреждения**

Обратният удар е внезапна реакция на прищипан или нащърбен въртящ се диск, опорна подложка, четка или друга принадлежност. Прищипването или нащърбането причинява бързо спиране на въртящата се принадлежност, която от своя страна завърта неконтролируемо електрическия инструмент в посока, обратна на въртенето на принадлежността, в точката на захващане.

Например, ако абразивната шайба е нащърбена или прищипана от обработвания детайл, ръбът, който влиза в точката на прищипване, може да навлезе в повърхността на материала, от което шайбата да изскочи нагоре или да се получи обратен удар. Шайбата може да отскочи към оператора или встрани от него в зависимост от посоката на движението на шайбата в точката на прищипване. В такава ситуация абразивната шайба може и да се счули. Обратният удар е следствие от неправилната употреба на електрическия инструмент и/или неспазване на реда и условията за работа и може да бъде избегнат при спазване на посочените по-долу предпазни мерки.

1. **Дръжте здраво инструмента и разположете тялото и ръката си така, че да можете да отстоите на силите на обратния удар. Ако има допълнителна ръкохватка, я използвайте задължително, за да овладеете максимално обратния удар или завъртането при пускане.** Операторът може да овладее завъртането или силите на обратен удар, ако вземе подходящите предпазни мерки.
2. **Не поставяйте ръката си близо до въртящата се принадлежност.** Възможно е да възникне обратен удар на принадлежността към ръката ви.
3. **Не разполагайте тялото си в зоната, към която инструментът ще отскочи в случай на обратен удар.** Обратният удар изхвърля инструмента в посока, обратна на тази на въртенето на диска, в точката на нащърбване.
4. **Работете с повишено внимание при обработване на ъгли, остри ръбове и др. подобни. Не позволявайте на принадлежността да подскоча или да се нащърбва.** Ъглиците, острите ръбове и подскачането са предпоставки за нащърбване на въртящата се принадлежност и загуба на контрол или обратен удар.
5. **Не поставяйте нож за дървообработка за верижен трион или циркулярен диск със зъби.** Такива дискове често водят до обратен удар и загуба на контрол.

#### **Специфични предупреждения за безопасност при шлифование и рязане с абразивен диск:**

1. **Използвайте само дискове, препоръчани за вашия електрически инструмент и специалните предпазители за избрания вид диск.** Дискове, за които инструментът не е предназначен, не могат да бъдат добре защитени и не са безопасни.
2. **Шлайфащите повърхности на дисковете с вдлъбнати центрове трябва да се монтират под равнината на ръба на предпазителя.** Неправилно монтирания диск, който се показва през равнината на ръба на предпазителя, не може да бъде добре защитен.
3. **Предпазителят трябва да е здраво закрепен за електрическия инструмент и разположен така, че да осигурява максимална безопасност, тъй че колкото може по-малка част от диска да е открита към оператора.** Предпазителят пази оператора от парчета при счупване на диска, от случаен допир до диска и от искри, които биха могли да подпалят дрехите.

4. **Дисковете трябва да се използват само за тези приложения, за които са предназначени. Например: не трябва да се шлифова с плоската страна на абразивен диск за рязане.** Абразивните дискове за рязане са предназначени за периферно шлифване и прилагането на странично действащи сили може да доведе до счупването им на парчета.
5. **Използвайте само закрепващи фланци без повреди и с точните размери и форма за избрания диск.** Правилните закрепващи фланци на диска осигуряват опора на диска и така намаляват опасността от счупване на диска. Фланците за дисковете за рязане може да се различават от фланците за шайбите за шлифване.
6. **Не използвайте износени дискове за шлифване от по-големи електрически инструменти.** Дисковете, предназначени за по-големи инструменти, не са подходящи за високите обороти на малкия инструмент и могат да се пръснат на парчета.

#### **Допълнителни предупреждения за безопасност при рязане с абразивен диск:**

1. **Не „заклинявайте“ диска за рязане и не упражнявайте прекомерен натиск. Не се опитвайте да режете прекалено дълбоко.** Прекомерният натиск върху диска увеличава натоварването и вероятността за усукване или забранене на диска в прореза, както и тази за обратен удар или счупване на диска.
2. **Не разполагайте тялото си на една линия с въртящия се диск и зад него.** Когато дискът, в точката на обработване, се отдалечава от тялото, евентуалният обратен удар може да изстреля въртящия се диск и инструмента право към вас.
3. **Ако дискът заidere или прекъснете рязането по друга причина, изключете инструмента и го задръжте неподвижен, докато дискът спре да се върти окончателно. Не се опитвайте да извадите диска за рязане от прореза, докато все още се върти, защото това може да доведе до обратен удар.** Огледайте мястото и вземете необходимите мерки, за да отстраните причината за задирането на диска.
4. **Не подновявайте рязането, докато дискът е в допир с обработвания детайл. Изчакайте дискът да достигне пълни обороти и тогава внимателно го вкарайте в прореза.** Дискът може да заidere, да излезе или да произведе обратен удар, ако инструментът бъде включен отново, докато е в допир с обработвания детайл.
5. **Подпирайте панели и други обемисти детайли за обработване, за да сведете до минимум опасността от прищипване или обратен удар от диска.** Големите обработвани детайли често се огвят под собствената си тежест. Подпорите се слагат под обработвания детайл, близо до линията на рязане и близо до ръба на детайла, от двете страни на диска.

6. **Бъдете особено предпазливи, когато режете в стена или друга повърхност, през която не се вижда.** Стърчащият диск може да среже газови или водопроводни тръби, електрически кабел или предмет, който да причини обратен удар.

#### **Специфични предупреждения за безопасност при шлифовъчни операции:**

1. **Не използвайте прекалено големи дискове за шлифване от шкурка. Следвайте съветите на производителя при избора на шкурка.** Големите дискове за шлифване от шкурка, които излизат извън подложката за шлифване, представляват опасност от разкъсване и могат да причинят задиране, скъсване на диска или обратен удар.

#### **Специфични предупреждения за безопасност при почистване с телена четка:**

1. **Имайте предвид, че телове падат от четката дори при нормална работа. Не натискайте прекалено силно теловетe, като упражнявате голямо натоварване върху четката.** Теловетe лесно могат да проникнат през тънки дрехи и/или през кожата.
2. **Ако при почистване с телена четка се препоръчва използването на предпазител, не позволявайте теленият диск или четката да докосват предпазителя.** Диаметърът на теленият диск или четка може да се увеличи поради работното натоварване или от центробежните сили.

#### **Допълнителни предупреждения за безопасност:**

1. **Ако използвате дискове за шлифване с вдлъбнат център, използвайте само дискове, подсилени със стъклопласт.**
2. **НЕ използвайте чашковидни каменни дискове с този инструмент за шлифване.** Инструментът за шлифване не е предназначен за такъв тип дискове и използването им може да доведе до тежко нараняване.
3. **Внимавайте да не повредите вала, фланецата (особено монтажната повърхност) или фиксиращата гайка.** Повреждането на тези части може да доведе до счупване на диска.
4. **Уверете се, че дискът не докосва детайла за обработване, преди да включите инструмента.**
5. **Преди да пристъпите към обработка на детайл, оставете инструмента да поработи известно време. Следете за вибрации или трясения, които може да сочат, че дискът не е добре поставен или е неправилно балансиран.**
6. **Използвайте указаната повърхност на диска, за да шлайфате.**
7. **Не оставяйте инструмента да работи без надзор. Инструментът трябва да работи само когато го държите с ръце.**
8. **Не докосвайте детайла непосредствено след обработка, защото може да е много горещ и да изгори кожата ви.**



9. Спазвайте инструкциите на производителя за правилен монтаж и използване на дисковете. Работете с дисковете и ги съхранявайте внимателно.
10. Не използвайте отделни редуциращи втулки или адаптери за пригаждане на абразивни шайби с големи отвори.
11. Използвайте само фланци, предназначени за този инструмент.
12. При инструменти, предназначени за работа с дискове с отвор с резба, проверете дали резбата на диска е достатъчна, за да влезе целия вал.
13. Проверете дали детайлът за обработване е закрепен стабилно.
14. Внимавайте, защото дискът продължава да се върти след изключването на инструмента.
15. В случай че работното място е много горещо и влажно или силно замърсено с прах, който е проводник на ток, използвайте защитен кожух с дефектнококова защита (30 mA), за да осигурите безопасността на оператора.
16. Не използвайте инструмента върху материали, съдържащи азбест.
17. Когато използвате дискове за рязане, винаги работете с монтиран прахосъбирателен предпазител на диска съгласно местната нормативна уредба.
18. Дисковете за рязане не трябва да се подлагат на страничен натиск.
19. Не използвайте платнени работни ръкавици по време на работа. В инструмента могат да влязат влакна от платнените ръкавици, което да доведе до повреда на инструмента.
4. Ако в очите ви попадне електролит, изплакнете ги с чиста вода и веднага потърсете лекарска помощ. Това може да доведе до загуба на зрението ви.
5. Не давайте на късо акумулаторните батерии:
  - (1) Не докосвайте клемите с проводими материали.
  - (2) Избягвайте съхраняването на акумулаторните батерии в контейнер с други метални предмети като пирони, монети и други подобни.
  - (3) Не излагайте акумулаторните батерии на вода или дъжд.

Закъсяването на акумулаторна батерия може да доведе до протичане на много силен ток, до прегряване, до възможни изгаряния и даже до разпадане на батерията.

6. Не съхранявайте инструмента и акумулаторните батерии на места, където температурата може да достигне или надмине 50 °C (122 °F).
7. Не изгаряйте акумулаторните батерии даже и ако те са сериозно повредени или напълно износени. Акумулаторната батерия може да експлодира в огън.
8. Внимавайте да не изпускате или удряте акумулаторната батерия.
9. Не използвайте повредени акумулаторни батерии.
10. Съдържащите се литиево-йонни акумулаторни батерии са обект на изискванията на законодателството за опасни стоки. При търговски превози, напр. от трети страни, спедитори, трябва да се спазват специални изисквания за опаковане и етикетирание. За подготовка на артикула, който трябва да бъде изпратен, е необходима консултация с експерт по опасните материали. Моля, спазвайте и евентуално по-подробните национални разпоредби. Залепете с лента или покрийте откритите контакти и опаковайте акумулаторната батерия по такъв начин, че да не може да се премества в опаковката.
11. Спазвайте местните разпоредби за изхвърляне на акумулаторни батерии.
12. Използвайте батериите само с продуктите, определени от Makita. Поставянето на батериите към подобрени продукти може да предизвика пожар, прегряване, взрив или изтичане на електролит.

## ЗАПАЗЕТЕ НАСТОЯЩИТЕ ИНСТРУКЦИИ.

**▲ПРЕДУПРЕЖДЕНИЕ:** НЕ позволявайте комфорта от познването на продукта (придобит при дългата му употреба) да замени стриктното спазване на правилата за безопасност за въпросния продукт. НЕПРАВИЛНАТА УПОТРЕБА и неспазването на правилата за безопасност, посочени в настоящото ръководство за експлоатация, могат да доведат до тежки наранявания.

### Важни инструкции за безопасност за акумулаторната батерия

1. Преди да използвате акумулаторната батерия, прочетете всички инструкции и предупредителни маркировки на (1) зарядното устройство за батериите, (2) за батериите и (3) за използващата батерията продукт.
2. Не разглобявайте акумулаторните батерии.
3. Ако мощността на машината намалее много, веднага спрете да работите. Това може да доведе до риск от прегряване, до възможни изгаряния и даже до експлозии.

## ЗАПАЗЕТЕ НАСТОЯЩИТЕ ИНСТРУКЦИИ.

**▲ВНИМАНИЕ:** Използвайте само оригинални акумулаторни батерии на Makita. При използване на различни от акумулаторните батерии на Makita или стари акумулаторни батерии може да се получи пръскане на акумулаторната батерия, което да доведе до пожар, нараняване или повреда. Това също ще анулира гаранцията на Makita за инструмента и зарядното устройство Makita.

## Съвети за поддържане на максимално дълъг живот на акумулаторните батерии

1. Зареждайте акумулаторните батерии, преди те да са се разреждали напълно. Когато забележите, че мощността на инструмента намалява, винаги спирайте работата с инструмента и заредете акумулаторната батерия.
2. Никога не презареждайте напълно заредена акумулаторна батерия. Презарядът скъсява експлоатационния живот на батерията.
3. Зареждайте акумулаторната батерия при стайна температура от 10 °C – 40 °C (50 °F – 104 °F). Оставете загорелите акумулаторни батерии да се охладят, преди да ги зареждате.
4. Заредете акумулаторната батерия, ако не сте го използвали дълъг период от време (повече от шест месеца).
14. Не натискайте прекалено силно бутона за безжично активиране на безжичното устройство и/или не го натискайте с предмет с остър ръб.
15. Винаги затваряйте капака на гнездото при работа.
16. Не махайте безжичното устройство от гнездото, когато към инструмента се подава захранване. Ако направите това, може да се получи неизправност на безжичното устройство.
17. Не махайте стикера от безжичното устройство.
18. Не поставяйте стикери върху безжичното устройство.
19. Не оставяйте безжичното устройство на място, където може да се генерира статично електричество или електрически шум.
20. Не оставяйте безжичното устройство на място, подложено на голямо загряване, като например нагрятата от слънцето кола.

### Важни инструкции за безопасност за безжичното устройство

1. Не разглобявайте и не променяйте безжичното устройство.
2. Пазете безжичното устройство далеч от децата си. При случайно поглъщане незабавно потърсете медицинска помощ.
3. Използвайте безжичното устройство само с инструменти на Makita.
4. Не излагайте безжичното устройство на действието на дъжд или влага.
5. Не използвайте безжичното устройство на места, където температурата превишава 50°C.
6. Не допускайте работа на безжичното устройство на места, където в близост има медицински апарати, като например сърдечни пейсмейкъри.
7. Не допускайте работа на безжичното устройство на места, където в близост има автоматични устройства. При работа със същото може да се получи неизправност на или грешка в автоматичните устройства.
8. Безжичното устройство може да генерира електромагнитни полета (EMF), но те не са вредни за потребителя.
9. Безжичното устройство е точен уред. Внимавайте да не изпуснете или ударите безжичното устройство.
10. Не докосвайте извода на безжичното устройство с голи ръце или метални материали.
11. Винаги махайте батерията от инструмента, когато монтирате безжичното устройство.
12. При отварянето на капака на гнездото избягвайте места, където може да влязат прах и вода в гнездото. Винаги поддържайте чист входа на гнездото.
13. Винаги вкарвайте безжичното устройство в правилната посока.
21. Не оставяйте безжичното устройство на място с прах или прахообразни продукти или на място, където може да се генерира предизвикващ корозия газ.
22. Внезапната промяна на температурата може да доведе до запотвяване на безжичното устройство. Не използвайте безжичното устройство, докато кондензираната вода не изсъхне.
23. Почиствайте безжичното устройство внимателно със суха и мека кърпа. Не използвайте бензол, разреждител, проводяща грес или други подобни.
24. Когато съхранявате безжичното устройство, го дръжте в кутията, в която е доставено, или в контейнер без статично електричество.
25. Не вкарвайте в гнездото никакви устройства, различни от безжичното устройство на Makita.
26. Не използвайте инструмента с повреден капак на гнездото. Проникнали в гнездото вода, прах и замърсявания могат да предизвикат неизправност.
27. Не дърпайте и/или усуквайте капака на гнездото повече от необходимото. Върнете на мястото му капака, ако същият се откачи от инструмента.
28. Сменете капака на гнездото, ако същият бъде загубен или повреден.

## ЗАПАЗЕТЕ НАСТОЯЩИТЕ ИНСТРУКЦИИ.

# ОПИСАНИЕ НА ФУНКЦИИТЕ

**⚠ ВНИМАНИЕ:** Винаги проверявайте дали инструментът е изключен и касетата с акумулаторната батерия е извадена, преди да регулирате или проверявате дадена функция на инструмента.

## Поставяне и изваждане на акумулаторната батерия

**⚠ ВНИМАНИЕ:** Винаги изключвайте инструмента преди поставяне или изваждане на акумулаторната батерия.

**⚠ ВНИМАНИЕ:** Когато инсталирате или изваждате акумулаторната батерия, дръжте здраво инструмента и акумулаторната батерия. Ако не държите здраво инструмента и акумулаторната батерия, те могат да се изплъзнат от ръцете ви и да доведат до повреждане на инструмента и акумулаторната батерия или нараняване.

► **Фиг.1:** 1. Червен индикатор 2. Бутон 3. Акумулаторна батерия

За да извадите акумулаторната батерия, я плъзнете извън инструмента, плъзгайки същевременно бутон в предната част на акумулаторната батерия.

За да поставите акумулаторната батерия, изравнете езичето на акумулаторната батерия с жлеба в корпуса и го плъзнете на мястото му. Вмъкнете го докрай, докато ключалката го задържи на място с малко прищракване. В случай че виждате червения индикатор в горната част на бутон, това означава, че тя не е фиксирана напълно на мястото си.

**⚠ ВНИМАНИЕ:** Винаги вмъквайте акумулаторната батерия докрай, така че червеният индикатор да се скрие. В противен случай тя може неволно да изпадне от инструмента, което може да нарани вас или някого около вас.

**⚠ ВНИМАНИЕ:** Не инсталирайте акумулаторната батерия със сила. Ако батерията не се движи свободно, тя не е била поставена правилно.

## Индикация на оставащия капацитет на акумулаторната батерия

**Само за акумулаторни батерии с индикатор**

► **Фиг.2:** 1. Светлинни индикатори 2. Бутон за проверка

Натиснете бутон за проверка на акумулаторната батерия за показване на оставащия заряд на батерията. Светлинните индикатори ще светнат за няколко секунди.

Светлинни индикатори			Оставащ заряд на батерията
Свети	Изкл.	Мига	
			75% до 100%
			50% до 75%
			25% до 50%
			0% до 25%
			Заредете батерията.
			Батерията може да не работи правилно.

**ЗАБЕЛЕЖКА:** В зависимост от условията на употреба и околната температура е възможно показанията леко да се различават от действителния капацитет.

## Индикация на оставащия капацитет на акумулаторната батерия

**Зависи от страната**

При включване на инструмента индикаторът на батерията показва оставащия капацитет на акумулаторната батерия.

► **Фиг.3:** 1. Индикатор на батерията

Оставащият капацитет на акумулаторната батерия е показан в съответствие със следната таблица.

Състояние на индикатора на акумулаторната батерия			Оставащ капацитет на акумулаторната батерия
Вкл.	Изкл.	Мига	
			50% до 100%
			20% до 50%
			0% до 20%
			Заредете батерията

## Система за защита на инструмента /акумулаторната батерия

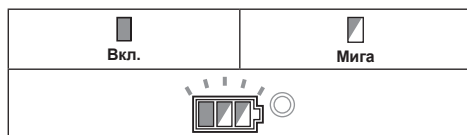
Инструментът е оборудван със система за защита на инструмента/акумулаторната батерия. Тази система автоматично прекъсва захранването към електромотора, за да осигури по-дълъг живот на инструмента и акумулаторната батерия. Инструментът ще спре автоматично по време на работа, ако инструментът или батерията се намират в едно от следните условия:

### Защита срещу претоварване

Когато инструментът се използва по начин, който води до необичайно висока консумация на ток, инструментът спира автоматично без никаква индикация. В този случай изключете инструмента и спрете операцията, която претоварва инструмента. След това отново включете инструмента, за да го рестартирате.

### Защита срещу прегряване

Когато инструментът прегрее, той спира автоматично и индикаторът на батерията показва следното състояние. При това положение оставете инструмента да изстине, преди да го включите отново.



Ако инструментът не стартира, е възможно батерията да е прегряла. При това положение оставете батерия да изстине, преди да включите инструмента отново.

### Защита срещу прекомерно разреждане

Когато капацитетът на акумулаторната батерия не е достатъчен, инструментът спира автоматично. В този случай извадете батерията от инструмента и я заредете.

### Освобождаване на защитната блокировка

Когато защитната система сработва непрекъснато, инструментът се блокира и индикаторът на батерията показва следното състояние.

При това положение инструментът не тръгва дори ако го изключите и включите. За освобождаване на защитната блокировка извадете батерията, включете я в зарядното устройство и изчакайте, докато зареждането завърши.



## Палец за блокиране на вала

Натиснете палеца за блокиране на вала, за да възпрепятствате въртенето му, когато поставяте или сваляте принадлежностите.

► **Фиг.4:** 1. Палец за блокиране на вала

**БЕЛЕЖКА:** Никога не задействайте палеца за блокиране на вала, когато валът се върти. Инструментът може да се повреди.

## Включване

**ВНИМАНИЕ:** Преди да поставите акумулаторната батерия в инструмента, винаги проверявайте дали плъзгачът работи нормално и се връща в положение „OFF“ (ИЗКЛ.), когато се натисне задният край на плъзгача.

**ВНИМАНИЕ:** Превключвателят може да се заключва в положение „ON“ (Вкл.) за удобство на оператора и комфорт при продължителна работа. Внимавайте, когато заключвате инструмента в положение „ON“ (Вкл.) и продължавайте да го държите здраво.

За да включите инструмента, плъзнете плъзгача към положение „I (ВКЛ.)“, като натиснете задния край на плъзгача. За непрекъсната работа натиснете предния край на плъзгача, за да го блокирате.

За да изключите инструмента, натиснете задния край на плъзгача превключвател и после го плъзнете към положение „O (ИЗКЛ.)“.

► **Фиг.5:** 1. Плъзгач превключвател

## Колело за регулиране на оборотите

Оборотите на инструмента могат да се променят, като се върти колелото за регулиране. В таблицата по-долу е показано съответствието между цифрата на колелото и оборотите.

► **Фиг.6:** 1. Колело за регулиране на оборотите

Цифра	Обороти
1	3 000 мин <sup>-1</sup>
2	4 500 мин <sup>-1</sup>
3	6 000 мин <sup>-1</sup>
4	7 500 мин <sup>-1</sup>
5	8 500 мин <sup>-1</sup>

**БЕЛЕЖКА:** Ако с инструмента се работи продължително време непрекъснато на ниски обороти, двигателят се претоварва, което води до неизправност.

**БЕЛЕЖКА:** Когато смените оборотите от „5“ на „1“, въртете колелото обратно на часовниковата стрелка. Не въртете колелото принудително по часовниковата стрелка.

## Функция за автоматична смяна на скоростта

► Фиг.7: 1. Индикатор за режим

Статус на индикатора за режима	Режим на работа
	Режим на високи обороти
	Режим с висок въртящ момент

Този инструмент има "режим на високи обороти" и "режим на висок въртящ момент". Режимът на работа се променя автоматично в зависимост от натоварването при работа. Когато индикаторът за режима свети по време на работа, инструментът е в режим на висок въртящ момент.

## Функция за предотвратяване на случайно включване

Инструментът няма да стартира дори ако акумулаторната батерия се постави в инструмента, когато плъзгачът е в положение „I (ON)“ (ВКЛ.). За да стартирате инструмента, първо преместете плъзгача на превключвателя в положение „O (OFF)“ (ИЗКЛ.), след което обратно в положение „I (ON)“ (ВКЛ.).

## Функция „Електронно управление на въртящия момент“

Инструментът детектира по електронен път ситуации, при които съществува риск от задиране на диска или принадлежност. В това положение инструментът се изключва автоматично, за да се възпрепятства по-нататъшното въртене на шпиндела (това не предотвратява обратния удар).

За да рестартирате инструмента, първо го изключете, отстранете причината за внезапното намаляване на скоростта на въртене и след това включете инструмента.

## Функция за плавно пускане

Функцията за плавно пускане намалява тласъка при стартиране.

## Електрическа спиратка

**Само за модел DGA413/DGA414/DGA463/DGA464/DGA513/DGA514**

След изключване на инструмента се задейства електрическа спиратка.

Спиратката не действа при изключено захранване, като случайно изваждане на батерията, докато прещелватът е още във включено положение.

## СГЛОБЯВАНЕ

**⚠ВНИМАНИЕ:** Винаги проверявайте дали инструментът е изключен и касетата с акумулаторната батерия е извадена, преди да регулирате или проверявате дадена функция на инструмента.

## Монтиране на страничната ръкохватка (дръжка)

**⚠ВНИМАНИЕ:** Преди да започнете работа проверете дали страничната ръкохватка е закрепена здраво.

Завийте здраво страничната ръкохватка на показаното на фигурата място от инструмента.

► Фиг.8

## Поставяне или сваляне на предпазителя (за диск с вдлъбнат център, ламелен диск, гъвкав диск, кръгла телена четка/абразивен диск за рязане, диамантен диск)

**⚠ПРЕДУПРЕЖДЕНИЕ:** При използване на диск с вдлъбнат център, ламелен диск, гъвкав диск или кръгла телена четка, предпазителят на диска трябва да бъде поставен на инструмента, така че затворената страна на предпазителя винаги да е обърната към оператора.

**⚠ПРЕДУПРЕЖДЕНИЕ:** Когато използвате абразивен диск за рязане/диамантен диск, използвайте само предпазители, предназначени за ползване с дискове за рязане.

(В някои държави-членки на ЕС при използване на диамантен диск може да се ползва обикновеният предпазител. Спазвайте законовите разпоредби във вашата страна.)

## За инструмент с предпазител на диска от типа блокиращ винт

Монтирайте предпазителя на диска с изпъкналата страна на лентата на предпазителя, подравнена към белезите на лагерната кутия. След това завъртете предпазителя на диска под такъв ъгъл, че да предпазва оператора според вида на работата. Затегнете винта здраво.

За да свалите предпазителя на диска, изпълнете процедурата за монтаж в обратен ред.

► Фиг.9: 1. Предпазител на диска 2. Лагерна кутия 3. Винт

## За инструмент с предпазител на диска от типа лост за затягане

Разхлабете винта и после дръпнете лоста по посока на стрелката. Монтирайте предпазителя на диска с изпъкналата страна на лентата на предпазителя, подравнена към белезите на лагерната кутия. След това завъртете предпазителя на диска под такъв ъгъл, че да предпазва оператора според вида на работата.

- **Фиг.10:** 1. Предпазител на диска 2. Лагерна кутия 3. Винт 4. Лост

Дръпнете лоста по посока на стрелката. След това притегнете предпазителя на диска чрез затягане на винта. Затегнете винта здраво. Ъгълът на предпазителя на диска може да се регулира чрез лоста.

- **Фиг.11:** 1. Винт 2. Лост

За да свалите предпазителя на диска, изпълнете процедурата за монтаж в обратен ред.

## Поставяне или сваляне на диск с вдлъбнат център или ламелен диск

### Допълнителни аксесоари

**▲ ПРЕДУПРЕЖДЕНИЕ:** При използване на диск с вдлъбнат център или ламелен диск предпазителят за диска трябва да бъде поставен на инструмента, така че затворената страна на предпазителя винаги да е обърната към оператора.

**▲ ВНИМАНИЕ:** Уверете се, че дали монтажната част на вътрешния фланец пасва идеално към вътрешния диаметър на диска с вдлъбнат център/ламелния диск. Монтирането на вътрешния фланец на неправилната страна може да доведе до опасни вибрации.

Сложете вътрешния фланец на вретеното. Уверете се, че сте нагласили назъбената част на вътрешния фланец на правата част от долната страна на вретеното. Сложете диска с вдлъбнат център/ламелния диск на вътрешния фланец и завийте фиксиращата гайка на шпиндела.

- **Фиг.12:** 1. Фиксираща гайка 2. Диск с вдлъбнат център 3. Вътрешен фланец 4. Монтажна част

За да затегнете фиксиращата гайка, натиснете палеца за блокиране на вала здраво, така че валът да не може да се върти и след това затегнете добре по посока на часовниковата стрелка с помощта на ключа за фиксиращата гайка.

- **Фиг.13:** 1. Ключ за фиксираща гайка 2. Палец за блокиране на вала

За да свалите гъвкавия диск, изпълнете процедурата за монтаж в обратен ред.

## Поставяне и сваляне на гъвкавия диск

### Допълнителни аксесоари

**▲ ПРЕДУПРЕЖДЕНИЕ:** Винаги използвайте доставения предпазител, когато върху инструмента е поставен гъвкав диск. По време на работа дискът може да се разбие на парчета, а предпазителят намалява вероятността за нараняване.

- **Фиг.14:** 1. Фиксираща гайка 2. Гъвкав диск 3. Опорна подложка 4. Вътрешен фланец

Следвайте указанията за диск с вдлъбнат център, но също използвайте опорна подложка над диска. Вижте последователността за сглобяване на страницата за принадлежности в настоящото ръководство.

## Монтаж или демонтаж на абразивния диск

### Допълнителни аксесоари

**ЗАБЕЛЕЖКА:** Използвайте посочените в настоящото ръководство принадлежности за шлифване. Те се закупуват отделно.

## За модел 100 мм (4")

- **Фиг.15:** 1. Фиксираща гайка за абразивни дискове 2. Абразивен диск 3. Гумена подложка 4. Вътрешен фланец

1. Сложете вътрешния фланец на вретеното.
  2. Монтирайте гумената подложка на шпиндела.
  3. Сложете диска над гумената подложка и завийте шмиргеловата фиксираща гайка на вретеното.
  4. Задръжте шпиндела с палеца за блокиране на вала и затегнете здраво шмиргеловата фиксиращата гайка с гаечен ключ по часовниковата стрелка.
- За да свалите диска, изпълнете процедурата за монтаж в обратен ред.

## За модел 115 мм (4 – 1/2")/125 мм (5")

- **Фиг.16:** 1. Фиксираща гайка за абразивни дискове 2. Абразивен диск 3. Гумена подложка

1. Монтирайте гумената подложка на шпиндела.
  2. Сложете диска над гумената подложка и завийте шмиргеловата фиксираща гайка на вретеното.
  3. Задръжте шпиндела с палеца за блокиране на вала и затегнете здраво шмиргеловата фиксиращата гайка с гаечен ключ по часовниковата стрелка.
- За да свалите диска, изпълнете процедурата за монтаж в обратен ред.

## Свързване с прахосмукачка

### Допълнителни аксесоари

**▲ ПРЕДУПРЕЖДЕНИЕ:** Никога не засмуквайте метални стружки, получени от шлайфане/рязане/шкуркане. Металните стружки, получени от тези операции, са толкова горещи, че ще запалят праха и филтъра в прахосмукачката.

За да избегнете запрашаването на околната среда, което се получава при рязане на зидария, използвайте предпазител на диска с колектор за прах и прахосмукачка. Относно монтажа и употребата вижте ръководството към предпазителя на диска с колектор за прах.

► **Фиг.17:** 1. Предпазител на диска с колектор за прах 2. Маркуч на прахосмукачката



## Експлоатация

**▲ ПРЕДУПРЕЖДЕНИЕ:** Никога не трябва да се налага да насилвате инструмента. Самото тегло на инструмента прилага достатъчен натиск. Насилването и прекомерният натиск могат да доведат до опасно счупване на диска.

**▲ ПРЕДУПРЕЖДЕНИЕ: ЗАДЪЛЖИТЕЛНО сменете диска, ако изпуснете инструмента по време на шлифование.**

**▲ ПРЕДУПРЕЖДЕНИЕ: НИКОГА не удрайте с диска за шлифование по обработвания детайл.**

**▲ ПРЕДУПРЕЖДЕНИЕ:** Не позволявайте на диска да подскача или да се нащърбва, особено когато обработвате ъгли, остри ръбове и др. Това може да доведе до загуба на контрол и обратен удар.

**▲ ПРЕДУПРЕЖДЕНИЕ: НИКОГА не използвайте инструмента с дискове за рязане на дърво и други циркулярни дискове.** Когато се използват с ъглошлайф, тези дискове често отскачат и водят до загуба на контрол и нараняване.

**▲ ВНИМАНИЕ:** Не включвайте инструмента, когато е в контакт с детайла, защото има опасност от нараняване на оператора.

**▲ ВНИМАНИЕ:** По време на работа задължително носете предпазни очила или маска за лицето.

**▲ ВНИМАНИЕ:** След приключване на работа изключете инструмента и изчакайте дискът да спре окончателно, преди да го оставите на земята.

**▲ ВНИМАНИЕ: ВИНАГИ дръжте инструмента здраво с едната ръка за корпуса, а с другата – за страничната ръкохватка (дръжка).**

## Шлайфане и шлифование

### ► Фиг.18

Включете инструмента и след това допрете диска до детайла за обработване.

Общо взето дръжте ръба на диска под ъгъл от около 15° спрямо повърхността на обработваемия детайл. През периода на разработване на нов диск не работете с ъглошлайфа в посока напред, иначе ще се вреже в обработваемия детайл. Когато ръбът на диска е окръглен от използване, с диска може да се работи както в посока напред, така и в посока назад.

## Работа с абразивен диск за рязане/диамантен диск

### Допълнителни аксесоари

**▲ ПРЕДУПРЕЖДЕНИЕ:** Когато използвате абразивен диск за рязане/диамантен диск, използвайте само предпазители, предназначени за ползване с дискове за рязане.

(В някои държави-членки на ЕС при използване на диамантен диск може да се ползва обикновеният предпазител. Спазвайте законовите разпоредби във вашата страна.)

**▲ ПРЕДУПРЕЖДЕНИЕ: НИКОГА не използвайте диск за рязане за странично шлайфане.**

**▲ ПРЕДУПРЕЖДЕНИЕ:** Не „заклинвайте“ диска и не упражнявайте прекален натиск. Не се опитвайте да режете прекалено дълбоко. Прекомерният натиск върху диска увеличава натоварването и вероятността дискът да се усуче или да задере в разреза, както и вероятността от обратен удар, счупване на диска и прегряване на двигателя.

**▲ ПРЕДУПРЕЖДЕНИЕ:** Не започвайте да режете с диск, опрян на детайла за обработване. Изчакайте диска да достигне пълни обороти и внимателно го вкарайте в среза, като движите инструмента напред по повърхността на детайла за обработване. Дискът може да задере, да излезе или да произведе обратен удар, ако инструментът бъде включен, докато е в допир с обработвания детайл.

**▲ ПРЕДУПРЕЖДЕНИЕ:** Не променяйте ъгъла на диска по време на рязане. Упражняването на страничен натиск върху диска за рязане (като при шлайфане) ще доведе до спукване и счупване на диска и тежко нараняване.

**▲ ПРЕДУПРЕЖДЕНИЕ:** Диамантените дискове трябва да се държат перпендикулярно на материала, който се реже.

► Фиг.19: 1. Фиксираща гайка 2. Абразивен диск за рязане/диамантен диск 3. Вътрешен фланец 4. Предпазител за абразивен диск за рязане/диамантен диск

За монтажа следвайте указанията за диск с вдлъбнат център.  
**Посока за монтиране на фиксиращата гайка и вътрешния фланец зависи от дебелината на диска.** Вижте следващите фигури.

### За модел 100 мм (4")

Когато монтирате абразивни дискове за рязане:

► Фиг.20: 1. Фиксираща гайка 2. Абразивен диск за рязане (по-тънък от 4 мм (5/32")) 3. Абразивен диск за рязане (4 мм (5/32")) или по-дебел 4. Вътрешен фланец

Когато монтирате диамантен диск:

► Фиг.21: 1. Фиксираща гайка 2. Диамантен диск (по-тънък от 4 мм (5/32")) 3. Диамантен диск (4 мм (5/32")) или по-дебел 4. Вътрешен фланец

## За модел 115 мм (4 – 1/2")/125 мм (5")

Когато монтирате абразивни дискове за рязане:

- Фиг.22: 1. Фиксираща гайка 2. Абразивен диск за рязане (по-тънък от 4 мм (5/32")) 3. Абразивен диск за рязане (4 мм (5/32")) или по-дебел 4. Вътрешен фланец

Когато монтирате диамантен диск:

- Фиг.23: 1. Фиксираща гайка 2. Диамантен диск (по-тънък от 4 мм (5/32")) 3. Диамантен диск (4 мм (5/32")) или по-дебел 4. Вътрешен фланец

## Работа с телена четка

### Допълнителни аксесоари

**⚠ВНИМАНИЕ:** Проверете работата на четката чрез включване на инструмента без товар, след като сте се уверили, че няма никого пред или до четката.

**⚠ВНИМАНИЕ:** Не използвайте четка, която е повредена или дебалансирана. При използване на повредена четка се увеличава опасността от нараняване от откъснати телчета.

- Фиг.24: 1. Телена четка

Извадете акумулаторната батерия от инструмента и я обърнете наобратно, за да има лесен достъп до вала. Махнете принадлежностите от вала. Завийте чашковидната телена четка върху вала и я затегнете с предоставения ключ.

**БЕЛЕЖКА:** Не прекалявайте с натиска, понеже това предизвиква прекомерно огъване на телете при работа с четката. Това може да доведе до преждевременното им отчупване.

## Работа с кръгла телена четка

### Допълнителни аксесоари

**⚠ВНИМАНИЕ:** Проверете дали кръглата телена четка работи, като включите инструмента без товар, след като сте се уверили, че няма никого пред или до четката.

**⚠ВНИМАНИЕ:** Не използвайте кръгла телена четка, която е повредена или едностранно износена. При използване на повредена кръгла телена четка се увеличава опасността от нараняване от откъснати телчета.

**⚠ВНИМАНИЕ:** ВИНАГИ използвайте предпазител при работа с кръгла телена четка, като диаметърът на диска на четката трябва да се покрива от предпазителя. По време на работа дискът може да се разбие на парчета, а предпазителят намалява вероятността за нараняване.

- Фиг.25: 1. Кръгла телена четка

Извадете акумулаторната батерия от инструмента и я обърнете наобратно, за да има лесен достъп до вала. Махнете принадлежностите от вала. Завийте кръглата телена четка върху вала и затегнете с ключовете.

**БЕЛЕЖКА:** Не прекалявайте с натиска, понеже това предизвиква прекомерно огъване на телете при работа с кръглата телена четка. Това може да доведе до преждевременното им отчупване.

## ФУНКЦИЯ ЗА БЕЗЖИЧНО АКТИВИРАНЕ

Само за DGA412/DGA414/DGA462/DGA464/DGA512/DGA514

## Какво можете да правите с функцията за безжично активиране

Функцията за безжично активиране дава възможност за чиста и удобна работа. Чрез свързване на поддържана прахосмукачка към инструмента Вие можете да реализирате автоматично включване на същата заедно със задействането на превключвателя на инструмента.

- Фиг.26

За да използвате функцията за безжично активиране, подгответе следните елементи:

- Безжично устройство
- Прахосмукачка, която поддържа функцията за безжично активиране

Прегледът на настройката на функцията за безжично активиране може да се види по-долу. Вижте всеки от разделите за подробности относно процедурите.

1. Монтиране на безжичното устройство
2. Регистриране на инструмента за прахосмукачката
3. Стартване на функцията за безжично активиране

## Монтиране на безжичното устройство

**⚠ВНИМАНИЕ:** Когато монтирате безжичното устройство, поставете инструмента върху плоска и стабилна повърхност.

**БЕЛЕЖКА:** Преди да монтирате безжичното устройство на инструмента, почистете праха и замърсяванията. Ако в гнездото на безжичното устройство влязат прах или замърсявания, това може да доведе до неизправност.

**БЕЛЕЖКА:** За да предотвратите неизправност в следствие на статично електричество, докоснете материал за разреждане на статично електричество, като например метална част на инструмента, преди да вземете безжичното устройство.

**БЕЛЕЖКА:** Когато монтирате безжичното устройство, винаги се грижете за това безжичното устройство да се вкарва в правилната посока и капакът да бъде напълно затворен.

1. Отворете капака на инструмента, както е показано на фигурата.

- Фиг.27: 1. Капак

2. Вкарайте безжичното устройство в гнездото и затворете капака.

Когато вкарвате безжичното устройство, подравнете изпълналите му части с прорезите в гнездото.



- **Фиг.28:** 1. Безжично устройство 2. Изпъкнала част 3. Капак 4. Част с прорези

Когато махате безжичното устройство, отворете капака бавно. Куките на гърба на капака ще повдигнат безжичното устройство, когато повдигате капака.

- **Фиг.29:** 1. Безжично устройство 2. Кука 3. Капак

След като махнете безжичното устройство, го дръжте в кутията, в която е доставено, или в контейнер без статично електричество.

**БЕЛЕЖКА:** Когато изваждате безжичното устройство, винаги използвайте куките на гърба на капака. Ако куките не захванат безжичното устройство, затворете капака докрай и го отворете отново бавно.

## Регистриране на инструмента за прахосмукачката

**ЗАБЕЛЕЖКА:** За регистриране на инструмента е необходима прахосмукачка Makita, която поддържа функцията за безжично активиране.

**ЗАБЕЛЕЖКА:** Преди да започнете регистрирането на инструмента, завършете монтажа на безжичното устройство към инструмента.

**ЗАБЕЛЕЖКА:** По време на регистрирането на инструмента не натискайте пусковия прекъсвач и не включвайте ключа на захранването на прахосмукачката.

**ЗАБЕЛЕЖКА:** Вижте също ръководството за експлоатация на прахосмукачката.

Ако желаете да включвате прахосмукачката със задействането на превключвателя на инструмента, завършете регистрирането на инструмента преди това.

1. Поставете батериите в прахосмукачката и инструмента.
2. Поставете превключвателя за режима на готовност на прахосмукачката в положение „АУТО“ (АВТОМАТИЧНО).  
► **Фиг.30:** 1. Превключвател за режим на готовност
3. Натиснете бутона за безжично активиране на прахосмукачката за 3 секунди, докато лампата за безжичното активиране започне да мига в зелено. След това по същия начин натиснете бутона за безжично активиране на инструмента.  
► **Фиг.31:** 1. Бутон за безжично активиране  
2. Лампа за безжичното активиране

Ако прахосмукачката и инструментът са свързани успешно, лампите за безжичното активиране ще светнат в зелено за 2 секунди и ще започнат да мигат в синьо.

**ЗАБЕЛЕЖКА:** Лампите за безжично активиране ще спрат да мигат в зелено след 20 секунди. Натиснете бутона за безжично активиране на инструмента, когато лампата за безжично активиране на прахосмукачката мига. Ако лампата за безжично активиране не мига в зелено, отново натиснете за кратко бутона за безжично активиране и го задръжте.

**ЗАБЕЛЕЖКА:** Когато извършвате две или повече регистрирания на инструменти за една прахосмукачка, завършвайте същите едно по едно.

## Стартиране на функцията за безжично активиране

**ЗАБЕЛЕЖКА:** Завършете регистрирането на прахосмукачката, преди да активирате безжичната връзка.

**ЗАБЕЛЕЖКА:** Вижте също ръководството за експлоатация на прахосмукачката.

След регистрирането на инструмент към прахосмукачката тя ще се включва автоматично при задействането на превключвателя на инструмента.

1. Монтирайте безжичното устройство на инструмента.
2. Свържете маркуча на прахосмукачката с инструмента.

► **Фиг.32**

3. Поставете превключвателя за режима на готовност на прахосмукачката в положение „АУТО“ (АВТОМАТИЧНО).

► **Фиг.33:** 1. Превключвател за режим на готовност

4. Натиснете за кратко бутона за безжично активиране на инструмента. Лампата за безжичното активиране ще мига в синьо.

► **Фиг.34:** 1. Бутон за безжично активиране  
2. Лампа за безжичното активиране

5. Дръпнете пусковия прекъсвач на инструмента. Проверете дали прахосмукачката работи, докато е натиснат пусковият прекъсвач.

За да спрете безжичното активиране на прахосмукачката, натиснете бутона за безжично активиране на инструмента.

**ЗАБЕЛЕЖКА:** Лампата за безжичното активиране ще спре да мига в синьо, когато не се работи в продължение на 2 часа. В този случай поставете превключвателя за режим на готовност на прахосмукачката в положение „АУТО“ (АВТОМАТИЧНО) и натиснете отново бутона за безжично активиране на инструмента.

**ЗАБЕЛЕЖКА:** Прахосмукачката се включва/изключва със закъснение. Има известно закъснение, когато прахосмукачката установява задействане на превключвателя на инструмента.

**ЗАБЕЛЕЖКА:** Разстоянието на предаване на безжичното устройство може да варира в зависимост от местоположението и околните условия.

**ЗАБЕЛЕЖКА:** Когато два или повече инструмента са регистрирани на една прахосмукачка, тогава прахосмукачката може да започне да работи, дори да не сте натиснали пусковия прекъсвач, понеже друг потребител използва функцията за безжично активиране.

## Описание на състоянието на лампата за безжичното активиране

### ► Фиг.35: 1. Лампа за безжичното активиране

Лампата за безжичното активиране показва състоянието на функцията за безжично активиране. Значението на състоянието на лампата можете да видите в таблицата по-долу.

Състояние	Лампа за безжичното активиране				Описание
	Цвят	 Вкл.	 Мига	Продължителност	
Готовност	Синьо	<input checked="" type="checkbox"/>		2 часа	Активирането на безжичната връзка на прахосмукачката е достъпно. Лампата ще се изключи автоматично, когато не се извършва операция в продължение на 2 часа.
		<input type="checkbox"/>		Когато инструментът работи.	Активирането на безжичната връзка на прахосмукачката е достъпно и инструментът работи.
Регистриране на инструмента	Зелено	<input checked="" type="checkbox"/>		20 секунди	Готовност за регистриране на инструмента. Изчакване за регистриране на прахосмукачката.
		<input type="checkbox"/>		2 секунди	Регистрирането на инструмента е завършено. Лампата за безжичното активиране ще започне да мига в синьо.
Отмяна на регистриране на инструмента	Червено	<input checked="" type="checkbox"/>		20 секунди	Готовност за отмяна на регистрирането на инструмента. Изчакване на отмяната на регистрирането на инструмента.
		<input type="checkbox"/>		2 секунди	Отмяната на регистрирането на инструмента е завършена. Лампата за безжичното активиране ще започне да мига в синьо.
Други	Червено	<input type="checkbox"/>		3 секунди	Попада се захранване към безжичното устройство и се включва функцията за безжично активиране.
		Изкл.	–	–	Безжичното активиране на прахосмукачката е спряно.

## Отмяна на регистрирането на инструмента за прахосмукачката

Когато отменяте регистрирането на инструмента за прахосмукачката, изпълнете следващата процедура.

1. Поставете батериите в прахосмукачката и инструмента.
2. Поставете превключвателя за режима на готовност на прахосмукачката в положение „AUTO“ (АВТОМАТИЧНО).  
► Фиг.36: 1. Превключвател за режим на готовност
3. Натиснете бутона за безжично активиране на прахосмукачката за 6 секунди. Лампата за безжичното активиране мига в зелено и след това става червена. След това натиснете по същия начин бутона за безжично активиране на инструмента.  
► Фиг.37: 1. Бутон за безжично активиране  
2. Лампа за безжичното активиране

Ако отмяната е осъществена успешно, лампите за безжичното активиране ще светнат в червено за 2 секунди и ще започнат да мигат в синьо.

**ЗАБЕЛЕЖКА:** Лампите за безжично активиране ще спрат да мигат в червено след 20 секунди. Натиснете бутона за безжично активиране на инструмента, когато лампата за безжично активиране на прахосмукачката мига. Ако лампата за безжично активиране не мига в червено, отново натиснете за кратко бутона за безжично активиране и го задръжте.

## Откриване на неизправности на функцията за безжично активиране

Преди да заявите ремонт, сами извършете проверка. Ако установите проблем, който не е обяснен в ръководството, не се опитвайте да разглобявате инструмента. Вместо това го занесете в някой от оторизираните сервиси на Makita, които винаги използват за ремонтите резервни части от Makita.

Състояние на неизправност	Възможно причина (неизправност)	Мерки за отстраняване
Лампата за безжичното активиране не свети/мига.	Безжичното устройство не е монтирано в инструмента. Безжичното устройство е монтирано неправилно в инструмента.	Монтирайте правилно безжичното устройство.
	Клемата на безжичното устройство и/или гнездото са замърсени.	Внимателно забършете праха и замърсяванията върху клемата на безжичното устройство и почистете гнездото.
	Бутонът за безжично активиране на инструмента не е натиснат.	Натиснете за кратко бутона за безжично активиране на инструмента.
	Превключвателят за режима на готовност на прахосмукачката не е поставен в положение „AUTO“ (АВТОМАТИЧНО).	Поставете превключвателя за режима на готовност на прахосмукачката в положение „AUTO“ (АВТОМАТИЧНО).
	Няма захранване	Подайте захранване към инструмента и към прахосмукачката.
Не е възможно успешно завършване на регистрирането/успешна отмяна на регистрирането на инструмент.	Безжичното устройство не е монтирано в инструмента. Безжичното устройство е монтирано неправилно в инструмента.	Монтирайте правилно безжичното устройство.
	Клемата на безжичното устройство и/или гнездото са замърсени.	Внимателно забършете праха и замърсяванията върху клемата на безжичното устройство и почистете гнездото.
	Превключвателят за режима на готовност на прахосмукачката не е поставен в положение „AUTO“ (АВТОМАТИЧНО).	Поставете превключвателя за режима на готовност на прахосмукачката в положение „AUTO“ (АВТОМАТИЧНО).
	Няма захранване	Подайте захранване към инструмента и към прахосмукачката.
	Неправилна работа	Натиснете за кратко бутона за безжично активиране и изпълнете отново процедурата по регистриране/отмяна на регистрацията на инструмента.
	Инструментът е отдалечен от прахосмукачката (извън диапазона на предаване).	Приближете инструмента към прахосмукачката. Максималното разстояние на предаване на сигнала е около 10 m, но може да варира в зависимост от условията.
	Преди да завършите регистрирането/отмяната на регистрацията на инструмент; – пусквият прекъсвач на инструмента е натиснат или; – бутонът на захранването на прахосмукачката е включен.	Натиснете за кратко бутона за безжично активиране и изпълнете отново процедурата по регистриране/отмяна на регистрацията на инструмента.
	Процедурите за регистриране на инструмента или прахосмукачката не са завършени.	Извършете процедурите за регистриране на инструмента и на прахосмукачката по едно и също време.
	Радиосмущения от други уреди, генериращи силни радиовълни.	Дръжте инструмента и прахосмукачката далеч от уреди, като например Wi-Fi устройства и микровълнови печки.

Състояние на неизправност	Възможно причина (неизправност)	Мерки за отстраняване
Прахосмукачката не заработва едновременно с натискането на пусковия прекъсвач на инструмента.	Безжичното устройство не е монтирано в инструмента. Безжичното устройство е монтирано неправилно в инструмента.	Монтирайте правилно безжичното устройство.
	Клемата на безжичното устройство и/или гнездото са замърсени.	Внимателно забършете праха и замърсяванията върху клемата на безжичното устройство и почистете гнездото.
	Бутонът за безжично активиране на инструмента не е натиснат.	Натиснете за кратко бутона за безжично активиране и се уверете, че лампата за безжичното активиране мига в синьо.
	Превключвателят за режима на готовност на прахосмукачката не е поставен в положение „AUTO“ (АВТОМАТИЧНО).	Поставете превключвателя за режима на готовност на прахосмукачката в положение „AUTO“ (АВТОМАТИЧНО).
	За прахосмукачката са регистрирани повече от 10 инструмента.	Извършете отново регистриране на инструмента. Ако за прахосмукачката са регистрирани повече от 10 инструмента, най-рано регистрираният инструмент ще бъде елиминиран автоматично.
	Прахосмукачката е изтрила всички регистрирания на инструменти.	Извършете отново регистриране на инструмента.
	Няма захранване	Подайте захранване към инструмента и към прахосмукачката.
	Инструментът е отдалечен от прахосмукачката (извън диапазона на предаване).	Приближете инструмента към прахосмукачката. Максималното разстояние на предаване на сигнала е около 10 m, но може да варира в зависимост от условията.
Радиосмущения от други уреди, генериращи силни радиовълни.	Дръжте инструмента и прахосмукачката далеч от уреди, като например Wi-Fi устройства и микровълнови печки.	
Прахосмукачката работи, когато не е натиснат пусковият прекъсвач на инструмента.	Други потребители използват безжичното активиране на прахосмукачката.	Изключете бутона за безжично активиране на другите инструменти или анулирайте регистрирането на другите инструменти.

## ПОДДРЪЖКА

**⚠ ВНИМАНИЕ:** Преди да проверявате или извършвате поддръжка на инструмента, се уверете, че той е изключен и акумулаторната батерия е извадена.

**БЕЛЕЖКА:** Не използвайте бензин, нафта, разрестител, спирт и др. подобни. Това може да причини обезцветяване, деформация или пукнатини.

## Почистяване на вентилационните отвори

Инструментът и неговите вентилационни отвори трябва да се поддържат чисти. Почистявайте вентилационните отвори на инструмента редовно или когато започнат да се запушват.

- **Фиг.38:** 1. Изходящ вентилационен отвор
- 2. Входящ вентилационен отвор

Свалете капака против прах от отвора за засмукване на въздух и го почистете, за да има по-добра циркулация на въздух.

- **Фиг.39:** 1. Капак против прах

**БЕЛЕЖКА:** Почистете капака против прах, ако е задръстен с прах или чужди тела. Ако продължите да работите със задръстен капак против прах, може да повредите инструмента.

# ДОПЪЛНИТЕЛНИ АКСЕСОАРИ

**⚠ ВНИМАНИЕ:** Препоръчва се използването на тези аксесоари или накрайници с вашия инструмент Makita, описан в настоящото ръководство. Използването на други аксесоари или накрайници може да доведе до опасност от телесни повреди. Използвайте съответния аксесоар или накрайник само по предназначение.

Ако имате нужда от помощ за повече подробности относно тези аксесоари, се обърнете към местния сервизен център на Makita.

- Оригинална акумулаторна батерия и зарядно устройство на Makita
- Безжично устройство (за модели с функция за безжично активиране)

## ► Фиг.40

-	Модел 100 мм (4")	Модел 115 мм (4-1/2")	Модел 125 мм (5")
1	Ръкохватка 36		
2	Предпазител за диска (за диск за шлифване)		
3	Вътрешен фланец		
4	Диск с вдлъбнат център/Ламелен диск		
5	Фиксираща гайка		
6	Опорна подложка		
7	Гъвкав диск		
8	Вътрешен фланец и гумена подложка 76	Гумена подложка 100	Гумена подложка 115
9	Абразивен диск		
10	Фиксираща гайка за абразивни дискове		
11	Кръгла телена четка		
12	Телена четка		
13	Предпазител за диска (за диск за рязане) *1		
14	Абразивен диск за рязане/диамантен диск		
15	Предпазител на диска с колектор за прах		
-	Ключ за фиксираща гайка		

**ЗАБЕЛЕЖКА:** \*1 Когато в Европейските страни се използва диамантен диск, вместо специалния предпазител покриващ и двете страни на диска може да се използва обикновения предпазител. Спазвайте законовите разпоредби във вашата страна.

**ЗАБЕЛЕЖКА:** Някои артикули от списъка може да са включени в комплекта на инструмента, като стандартни аксесоари. Те може да са различни в различните държави.

## SPECIFIKACIJE

Model:	DGA411	DGA412	DGA413	DGA414
Promjer ploče	100 mm (4")			
Maks. debljina ploče	6,4 mm			
Navoj vretena	M10			
Nazivna brzina (n)	8.500 min <sup>-1</sup>			
Ukupna dužina	382 mm			
Nazivni napon	DC 18 V			
Neto težina	2,2 – 2,8 kg			
Električna kočnica	-		✓	
Funkcija aktivacije bežične jedinice	-	✓	-	✓

Model:	DGA461	DGA462	DGA463	DGA464
Promjer ploče	115 mm (4-1/2")			
Maks. debljina ploče	7,2 mm			
Navoj vretena	M14 ili 5/8" (ovisno o zemlji)			
Nazivna brzina (n)	8.500 min <sup>-1</sup>			
Ukupna dužina	382 mm			
Nazivni napon	DC 18 V			
Neto težina	2,3 – 3,0 kg			
Električna kočnica	-		✓	
Funkcija aktivacije bežične jedinice	-	✓	-	✓

Model:	DGA511	DGA512	DGA513	DGA514
Promjer ploče	125 mm (5")			
Maks. debljina ploče	7,2 mm			
Navoj vretena	M14 ili 5/8" (ovisno o zemlji)			
Nazivna brzina (n)	8.500 min <sup>-1</sup>			
Ukupna dužina	382 mm			
Nazivni napon	DC 18 V			
Neto težina	2,3 – 3,0 kg		2,4 – 3,0 kg	
Električna kočnica	-		✓	
Funkcija aktivacije bežične jedinice	-	✓	-	✓

- Zahvaljujući našem stalnom programu razvoja i istraživanja, navedene specifikacije podložne su promjenama bez obavijesti.
- Specifikacije mogu biti različite ovisno o zemlji.
- Težina se može razlikovati ovisno o opremi, uključujući baterijski uložak. Najlakša i najteža kombinacija, sukladno postupku EPTA 01/2014, prikazane su u nastavku.

### Odgovarajući baterijski uložak

BL1815N / BL1820 / BL1820B / BL1830 / BL1830B / BL1840 / BL1840B / BL1850 / BL1850B / BL1860B

- Neki od navedenih baterijskih uložaka možda neće biti dostupni ovisno o regiji u kojoj se nalazite.

**⚠ UPOZORENJE:** Upotrebite samo navedene baterijske uloške. Upotreba bilo koje druge vrste baterijskih uložaka može prouzročiti ozljede i/ili požar.

## Namjena

Alat je namijenjen za brušenje, fino brušenje i rezanje u metalu i kamenu bez korištenja vode.

## Buka

Tipična jačina buke označena s A, određena sukladno EN60745:

Model	Razina tlaka zvuka ( $L_{pA}$ ): (dB(A))	Razina tlaka zvuka ( $L_{WA}$ ): (dB(A))	Neodređenost (K): (dB(A))
DGA411	80	-	3
DGA412	80	-	3
DGA413	80	-	3
DGA414	80	-	3
DGA461	79	-	3
DGA462	79	-	3
DGA463	79	-	3
DGA464	79	-	3
DGA511	79	-	3
DGA512	79	-	3
DGA513	79	-	3
DGA514	79	-	3

Razina buke u radu može prelaziti 80 dB (A).

**⚠ UPOZORENJE:** Nosite zaštitu za uši.

## Vibracija

Ukupna vrijednost vibracija (troosni vektorski zbir) izračunata u skladu s EN60745:

**Način rada: brušenje površine s normalnom bočnom ručkom**

Model	Emisija vibracija ( $a_{h, AG}$ ): ( $m/s^2$ )	Neodređenost (K): ( $m/s^2$ )
DGA411	4,5	1,5
DGA412	4,5	1,5
DGA413	4,5	1,5
DGA414	4,5	1,5
DGA461	6,5	1,5
DGA462	6,5	1,5
DGA463	6,5	1,5
DGA464	6,5	1,5
DGA511	6,5	1,5
DGA512	6,5	1,5
DGA513	6,5	1,5
DGA514	6,5	1,5

**Način rada: brušenje površine s antivibracijskom bočnom ručkom**

Model	Emisija vibracija ( $a_{h,AG}$ ): (m/s <sup>2</sup> )	Neodređenost (K): (m/s <sup>2</sup> )
DGA411	4,0	1,5
DGA412	4,0	1,5
DGA413	4,0	1,5
DGA414	4,0	1,5
DGA461	6,0	1,5
DGA462	6,0	1,5
DGA463	6,0	1,5
DGA464	6,0	1,5
DGA511	6,0	1,5
DGA512	6,0	1,5
DGA513	6,0	1,5
DGA514	6,0	1,5

**Način rada: disk za fino brušenje s normalnom bočnom ručkom**

Model	Emisija vibracija ( $a_{h,DB}$ ): (m/s <sup>2</sup> )	Neodređenost (K): (m/s <sup>2</sup> )
DGA411	2,5 m/s <sup>2</sup> ili manje	1,5
DGA412	2,5 m/s <sup>2</sup> ili manje	1,5
DGA413	2,5 m/s <sup>2</sup> ili manje	1,5
DGA414	2,5 m/s <sup>2</sup> ili manje	1,5
DGA461	2,5 m/s <sup>2</sup> ili manje	1,5
DGA462	2,5 m/s <sup>2</sup> ili manje	1,5
DGA463	2,5 m/s <sup>2</sup> ili manje	1,5
DGA464	2,5 m/s <sup>2</sup> ili manje	1,5
DGA511	2,5 m/s <sup>2</sup> ili manje	1,5
DGA512	2,5 m/s <sup>2</sup> ili manje	1,5
DGA513	2,5 m/s <sup>2</sup> ili manje	1,5
DGA514	2,5 m/s <sup>2</sup> ili manje	1,5

**Način rada: disk za fino brušenje s antivibracijskom bočnom ručkom**

Model	Emisija vibracija ( $a_{h,DB}$ ): (m/s <sup>2</sup> )	Neodređenost (K): (m/s <sup>2</sup> )
DGA411	2,5 m/s <sup>2</sup> ili manje	1,5
DGA412	2,5 m/s <sup>2</sup> ili manje	1,5
DGA413	2,5 m/s <sup>2</sup> ili manje	1,5
DGA414	2,5 m/s <sup>2</sup> ili manje	1,5
DGA461	2,5 m/s <sup>2</sup> ili manje	1,5
DGA462	2,5 m/s <sup>2</sup> ili manje	1,5
DGA463	2,5 m/s <sup>2</sup> ili manje	1,5
DGA464	2,5 m/s <sup>2</sup> ili manje	1,5
DGA511	2,5 m/s <sup>2</sup> ili manje	1,5
DGA512	2,5 m/s <sup>2</sup> ili manje	1,5
DGA513	2,5 m/s <sup>2</sup> ili manje	1,5
DGA514	2,5 m/s <sup>2</sup> ili manje	1,5

**NAPOMENA:** Deklarirana vrijednost emisije vibracija izmjerena je prema standardnoj metodi testiranja i može se rabiti za usporedbu jednog alata s drugim.

**NAPOMENA:** Deklarirana vrijednost emisije vibracija također se može rabiti za preliminarnu procjenu izloženosti.



**⚠ UPOZORENJE:** Emisija vibracija tijekom stvarnog korištenja električnog ručnog alata se može razlikovati od deklarirane vrijednosti emisije, ovisno o načinu na koji se alat rabi.

**⚠ UPOZORENJE:** Nemojte zaboraviti da identificirate sigurnosne mjere zaštite rukovatelja koje se temelje na procjeni izloženosti u stvarnim uvjetima korištenja (uzimajući u obzir sve dijelove radnog ciklusa, poput vremena kada je alat isključen i kada on radi u praznom hodu, a također i vrijeme okidanja).

**⚠ UPOZORENJE:** Deklarirana vrijednost emisije vibracija se rabi kod glavnih primjena električnog ručnog alata. Međutim, ako se električni ručni alat koristi za druge primjene, vrijednost emisije vibracija se može razlikovati.

## Izjava o sukladnosti EZ

*Samo za države članice Europske unije*

Izjava o sukladnosti EZ u privitku je Priloga A ovih uputa za upotrebu.

## SIGURNOSNA UPOZORENJA

### Opća sigurnosna upozorenja za električne ručne alate

**⚠ UPOZORENJE:** Pročitajte sva sigurnosna upozorenja, upute, ilustracije i specifikacije priložene uz ovaj električni ručni alat. Nepridržavanje svih uputa navedenih u nastavku može rezultirati strujnim udarom, požarom i/ili ozbiljnim ozljedama.

### Sačuvajte sva upozorenja i upute radi kasnijeg korištenja.

Pojam „električni alat“ u upozorenjima odnosi se na električni (kabelski) alat uključen u struju ili na bežične električne alate (na baterije).

### Sigurnosna upozorenja za bežičnu brusilicu

Sigurnosna upozorenja zajednička za brušenje, fino brušenje, čišćenje žičanom četkom ili operacije abrazivnog rezanja:

1. **Ovaj električni ručni alat namijenjen je za uporabu kao brusilica, fina brusilica, žičana četka ili rezni alat. Pročitajte sva sigurnosna upozorenja, upute, ilustracije i specifikacije priložene uz ovaj električni ručni alat. Nepridržavanje svih uputa navedenih u nastavku može rezultirati strujnim udarom, požarom i/ili ozbiljnim ozljedama.**
2. **Ne preporučujemo izvođenje postupaka poput poliranja s ovim električnim ručnim alatom. Radnje za koje električni alat nije namijenjen mogu stvoriti opasnost i prouzročiti ozljede.**
3. **Nemojte rabiti dodatke koji nisu izričito nije dizajnirao i preporučio proizvođač. Samo zato što se dodatak može montirati na vaš električni ručni alat ne znači da je zajamčen siguran rad.**
4. **Nazivna brzina dodatka mora biti najmanje jednaka maksimalnoj brzini navedenoj na električnom ručnom alatu. Dodaci koji rade brže od nazivne brzine mogu se slomiti i dijelovi se mogu razletjeti naokolo.**

5. **Vanjski promjer i debljina dodataka mora odgovarati nazivnom kapacitetu električnog alata. Neispravni dodaci ne mogu se primjereno zaštititi ni kontrolirati.**
6. **Dodaci koji se montiraju na navoj moraju se podudarati s navojem vretena na brusilici. Ako montirate dodatke na prirubnice, otvor za trn na dodatku mora odgovarati vodećem promjeru prirubnice. Dodaci koji ne odgovaraju priboru za montažu električnog ručnog alata bit će izbačeni iz ravnoteže, previše će vibrirati i mogu uzrokovati gubitak kontrole.**
7. **Ne rabite oštećene dodatke. Prije svake uporabe provjerite dodatke, primjerice ima li na abrazivnim pločama krhotina i pukotina, ima li na podlošku pukotina, kidanja ili prekomjerne istrošenosti, je li žičana četka te ima olabavljene ili prekinute žice. Ako vam električni ručni alat ili dodatak ispadne, provjerite ima li oštećenja ili postavite neoštećeni dodatak. Nakon provjere i postavljanja dodatka odmaknite se i udaljite promatrače od ravnine rotirajućeg pribora i pustite električni ručni alat da jednu minutu radi bez opterećenja pri maksimalnoj brzini. Oštećeni dodaci obično se slome tijekom ovog testa.**
8. **Nosite osobnu zaštitnu opremu. Ovisno o primjeni koristite štitnik za lice, zaštitu za oči ili zaštitne naočale. Ako je potrebno, nosite masku za prašinu, zaštitu za uši, rukavice i radioničku pregaču koja može zaustaviti male abrazivne djelice ili djeliće izratka. Zaštita za oči mora zaustaviti leteće krhotine koje su moguće pri izvođenju brojnih zadataka. Zaštita za oči mora zaustaviti leteće krhotine nastale uslijed raznih radnji. Dulja izloženost jakoj buci može prouzročiti gubitak sluha.**
9. **Držite druge osobe na sigurnoj udaljenosti od radnog područja. Svako tko uđe u radno područje mora nositi osobnu zaštitnu opremu. Djelići izratka ili polomljenog dodatka mogu odletjeti i prouzročiti ozljede izvan neposrednog radnog područja.**
10. **Držite električni ručni alat za izolirane rukohvatne površine kada izvodite operaciju pri kojoj rezni dodatak može doći u dodir sa skrivenim vodičima. Dodir s vodičem pod naponom može dovesti pod napon izložene metalne dijelove električnog ručnog alata te prouzročiti strujni udar kod rukovatelja.**
11. **Nikada ne spuštajte električni ručni alat sve dok se dodatak potpuno ne zaustavi. Rotirajući dodatak može zahvatiti površinu i električni ručni alat se može oteći vašoj kontroli.**

12. **Nemojte uključivati električni ručni alat dok ga nosite pored sebe.** Slučajni dodir s rotirajućim dodatkom može zahvatiti vašu odjeću, povlačeći dodatak prema vašem tijelu.
13. **Redovito čistite ventilacijske otvore električnog ručnog alata.** Ventilator motora će uvući prašinu u kućište, a prekomjerno nakupljanje metalne prašine predstavlja opasnost od strujnog udara.
14. **Ne radite s električnim ručnim alatom u blizini zapaljivih materijala.** Iskre mogu zapaliti te materijale.
15. **Ne rabite dodatke koji zahtijevaju rashladne tekućine.** Korištenje vode ili drugih rashladnih tekućina može rezultirati smrću ili šokom uslijed strujnog udara.
2. **Brusna površina koljenastih ploča mora se montirati ispod ravnine ruba štitnika.** Neispravno montirana ploča koja strši kroz ravninu ruba štitnika ne može se primjereno zaštititi.
3. **Štitnik se mora čvrsto montirati na električni ručni alat i namjestiti tako da bude maksimalno siguran, tako da najmanji dio ploče bude izložen prema rukovatelju.** Štitnik pomaže rukovatelju da se zaštiti od odlomljenih dijelica ploče, slučajnog dodirivanja ploče i iskri koje bi mogle zapaliti odjeću.
4. **Ploče se smiju koristiti samo za preporučene primjene. Primjerice: nemojte brusiti bočnom stranom rezne ploče.** Abrzivne rezne ploče namijenjene su perifernom brušenju, a bočne sile koje djeluju na ove ploče mogu uzrokovati njihov lom.

#### **Povratni udar i povezana upozorenja**

Povratni udar je trenutna reakcija na priklještenu ili zaglavljenu rotirajuću ploču, podlošku, četku ili bilo koji drugi dodatak. Priklještenje ili zaglavljivanje uzrokuje brzo zaustavljanje rotirajućeg dodatka, što opet dovodi do prinudnog okretanja električnog ručnog alata u smjeru suprotnom od smjera okretanja dodatka u točki spajanja. Ako je, primjerice, izradak zaglavio ili priklještiio abrazivnu ploču, rub ploče koji ulazi u točku priklještenja može se ukopati u površinu materijala, što će dovesti do iskakanja ili izbacivanja ploče. Ploča može skočiti prema rukovatelju ili odskočiti od njega, ovisno o smjeru kretanja ploče u točki priklještenja. Abrzivne bi se ploče pod tim okolnostima mogle i slomiti. Povratni udar rezultat je pogrešne uporabe električnog ručnog alata i/ili nepravilnih radnih postupaka ili uvjeta i može se spriječiti poduzimanjem prikladnih mjera opreza kao što je navedeno u nastavku.

1. **Čvrsto držite električni ručni alat, a svoje tijelo ili ruku namjestite tako da možete izdržati sile povratnog udara.** Uvijek koristite pomoćnu ručicu, ako postoji, radi maksimalne kontrole povratnog udara ili reakcije uslijed torzionog momenta tijekom pokretanja. Rukovatelj može kontrolirati reakcije uslijed torzionog momenta ili sile povratnog udara ako poduzme prikladne mjere opreza.
2. **Nikada ne stavljajte ruku blizu rotirajućeg dodatka.** Može doći do odbačaja dodatka unatrag preko vaše ruke.
3. **Tijelo držite podalje od područja gdje bi se električni ručni alat mogao pomaknuti ako dođe do povratnog udara.** Povratni udar gurnut će alat u smjeru suprotnom od kretanja ploče u točki zaglavljivanja.
4. **Budite posebno oprezni kada obrađujete kutove, oštre rubove, itd. Spriječite odskakanje i zaglavljivanje dodatka.** Kutovi, oštri rubovi ili odskakanje mogu zaglaviti rotirajući dodatak i prouzročiti gubitak kontrole ili povratni udar.
5. **Nemojte montirati list za rezbarenje drveta za lančane pile niti nazubljene list pile.** Takvi listovi dovode do čestih povratnih udara i gubitka kontrole.

#### **Sigurnosna upozorenja specifična za brušenje i abrazivno rezanje:**

1. **Rabite samo one vrste ploča koje su preporučene za vaš električni ručni alat i poseban štitnik za odabranu ploču.** Ploče koje nisu predviđene za upotrebu s alatom ne mogu se zaštititi na odgovarajući način i nisu sigurne.
2. **Budite posebno oprezni kada režete „džepove“ u postojećim zidovima ili drugim sljepim površinama.** Prodruća ploča može prerezati cijevi za plin i vodu, električne žice ili predmete koji mogu prouzročiti povratni udar.

#### **Dodatna sigurnosna upozorenja specifična za abrazivno rezanje:**

1. **Nemojte „zaglavljivati“ reznu ploču niti primjenjivati prekomjerni pritisak. Nemojte pokušavati napraviti predeboki rez.** Prekomjerno naprezanje ploče povećava opterećenje i osjetljivost na uvijanje ili zaglavljivanje ploče u rezu, kao i mogućnost povratnog udara ili pucanja ploče.
2. **Tijelo nemojte držati u ravnini niti iza rotirajuće ploče.** Ako se ploča u trenutku rada udaljava od vašeg tijela, mogući povratni udar može gurnuti rotirajuću ploču naprijed i gurnuti električni ručni alat direktno na vas.
3. **Kada se ploča zaglavli ili se rezanje iz nekog razloga prekine, isključite električni ručni alat i držite ga u nepokretnom stanju sve dok se ploča u potpunosti ne zaustavi. Nikada nemojte pokušavati vaditi ploču iz reza dok se rezna ploča okreće jer može doći do povratnog udara.** Ispitajte i poduzmite korektivnu mjeru kako biste otklonili uzrok zaglavljivanja ploče.
4. **Nemojte ponovno pokretati postupak rezanja na izratku. Pustite ploču da dostigne punu brzinu i oprezno ponovno krenite rezati.** Ako se električni ručni alat ponovno pokrene u izratku, ploča se može zaglaviti, podići ili napraviti povratni udar.
5. **Poduprite ruke i svaki veći izradak kako biste minimizirali rizik od priklještenja i povratnog udara.** Veliki izratci često popuštaju pod vlastitom težinom. Ispod izratka, blizu linije reza i blizu ruba izratka na obje strane ploče moraju se postaviti potpore.
6. **Budite posebno oprezni kada režete „džepove“ u postojećim zidovima ili drugim sljepim površinama.** Prodruća ploča može prerezati cijevi za plin i vodu, električne žice ili predmete koji mogu prouzročiti povratni udar.

### Sigurnosna upozorenja specifična za fino brušenje:

1. Nemojte koristiti preveliki brusni papir za disk. Pri odabiru brusnog papira slijedite preporuke proizvođača. Veći brusni papir koji strši izvan podloška za brušenje predstavlja opasnost od cijepanja i može prouzročiti zaglavljivanje, kidanje diska ili povratni udar.

### Sigurnosna upozorenja specifična za radnje koje se obavljaju žičanom četkom:

1. Imajte na umu da s četke ispadaju čekinje čak i tijekom običnog rada. Nemojte previše naprezati žice prekomjernim opterećenjem četke. Žičane čekinje mogu lako probiti tanku odjeću i/ili kožu.
2. Ako se za rad pomoću žičane četke preporučuje štitnik, pazite da štitnik ne ometa ploču ili četku. Promjer žičane ploče ili četke može se povećati uslijed radnog opterećenja i centrifugalnih sila.

### Dotatna sigurnosna upozorenja:

1. Ako koristite koljenaste brusne ploče, obvezno koristite samo ploče od ojačanih staklenih vlakana.
2. **NE KORISTITE** ploče tipa kamene šalice s ovom brusilicom. Ova brusilica nije namijenjena za te tipove ploča i korištenje takvog proizvoda može rezultirati ozbiljnim ozljedama.
3. Pazite da ne oštetite vreteno, prirubnicu (posebno instalacijsku površinu) ili sigurnosnu maticu. Oštećenje tih dijelova može uzrokovati pucanje ploče.
4. Prije uključivanja sklopke provjerite dodiruje li ploča izradak.
5. Prije nego što upotrijebite alat na stvarnom izratku, pustite ga da radi neko vrijeme. Obratite pažnju na vibraciju ili ljuljanje koje bi moglo ukazivati na lošu instalaciju ili loše balansiranu ploču.
6. Rabite navedenu površinu ploče za brušenje.
7. Ne ostavljajte alat da radi. Alatom radite isključivo držeći ga u ruci.
8. Ne dodirujte izradak odmah nakon rada; može biti izuzetno vruć i mogao bi vas opeći.
9. Slijedite upute proizvođača za pravilnu montažu i uporabu ploča. Pozorno rukujte i skladištite ploče.
10. Ne koristite čahure ili adaptere za redukciju za podešavanje abrazivnih ploča s velikim otvorom.
11. Koristite samo prirubnice propisane za ovaj alat.
12. Za alate koji trebaju biti opremljeni pločom s navojnim otvorom provjerite je li navoj ploče dovoljno dug za dotično vreteno.
13. Provjerite je li izradak pravilno podložen.
14. Imajte na umu da se ploča i dalje okreće nakon isključivanja alata.
15. Ako je radno mjesto iznimno vruće i vlažno ili puno prašine koja provodi električnu energiju, upotrijebite kratkospojnu učinsku sklopku (30 mA) kako rukovateljeva sigurnost ne bi bila ugrožena.

16. Ne koristite alat na materijalima koji sadrže azbest.
17. Kada koristite reznu ploču, uvijek radite sa štitnikom ploče protiv prašine sukladno lokalnim zakonskim propisima.
18. Rezni diskovi ne smiju se bočno pritiskati.
19. Nemojte nositi platnene rukavice tijekom rada. Vlakna iz platnenih rukavica mogu ući u alat, što uzrokuje pucanje alata.

## ČUVAJTE OVE UPUTE.

**⚠ UPOZORENJE: NEMOJTE** dozvoliti da udobnost ili znanje o proizvodu (stečeno stalnim korištenjem) zamijene strogo pridržavanje sigurnosnih propisa za određeni proizvod. **ZLOUPORABA** ili nepridržavanje sigurnosnih propisa navedenih u ovom priručniku s uputama mogu prouzročiti ozbiljne ozljede.

## Važne sigurnosne upute za bateriju

1. Prije uporabe baterije pročitajte sve upute i oznake upozorenja na (1) punjaču za baterije, (2) bateriji i (3) proizvodu koji koristi bateriju.
2. Ne rastavljajte bateriju.
3. Ako se vrijeme rada znatno skratilo, odmah prestanite raditi. Može doći do pregrijavanja, mogućih opekline pa čak i eksplozije.
4. Ako vam elektrolit dospije u oči, isperite ih čistom vodom i odmah se obratite liječniku. Tako možete izgubiti vid.
5. Nemojte kratko spajati bateriju:
  - (1) Ne dovodite terminale u kontakt s provodljivim materijalima.
  - (2) Ne čuvajte bateriju u spremniku s drugim metalnim predmetima poput čavala, kovanica itd.
  - (3) Ne izlažite bateriju vodi ili kiši. Kratki spoj baterije može uzrokovati velik protok struje, pregrijavanje, moguće opekline pa čak i kvar.
6. Ne držite alat i bateriju na mjestima gdje temperatura može premašiti 50 °C.
7. Ne spaljujte bateriju čak ni ako je ozbiljno oštećena ili potpuno istrošena. Baterija može eksplodirati u vatri.
8. Pazite da vam baterija ne ispadne ili da je ne udarite.
9. Ne koristite oštećene baterije.
10. Sadržane litij-ionske baterije podliježu odredbama zakonskih propisa o opasnim tvarima. Kada se radi o komercijalnom transportu koji obavljaju npr. dobavljači ili špediteri, moraju se poštovati posebni zahtjevi na pakiranju i oznakama. Prilikom pripreme isporuke takve stavke potražite savjet stručnjaka za opasne tvari. Pogledajte i moguće detaljnije nacionalne propise. Prekrijte trakom ili zaštitite otvorene kontakte i bateriju zapakirajte tako da se ne može pomicati u pakiranju.
11. Pridržavajte se lokalnih zakonskih propisa za brinjanje baterija.

12. **Upotrebljavajte baterije samo s proizvodima koje je odobrila tvrtka Makita.** Umetanje baterija u neprikladne proizvode može dovesti do požara, prekomjerne topline, eksplozije ili curenja elektrolita.

## ČUVAJTE OVE UPUTE.

**⚠ OPREZ:** Uvijek upotrebljavajte originalne baterije Makita. Upotreba baterija koje nisu originalne baterije Makita ili su izmijenjene može dovesti do rasprskavanja baterije i uzrokovati požar, tjelesnu ozljedu ili štetu. To će također poništiti jamstvo tvrtke Makita za alat i punjač Makita.

## Savjeti za održavanje najduljeg vijeka trajanja baterije

1. Napunite bateriju prije nego što se potpuno isprazni. Uvijek zaustavite alat i napunite bateriju kad primijetite da alat slabije radi.
2. Nikad ne punite već do kraja napunjenu bateriju. Pretjerano punjenje skraćuje radni vijek baterije.
3. Bateriju punite na sobnoj temperaturi između 10 °C i 40 °C. Vruću bateriju prije punjenja ostavite da se ohladi.
4. Napunite bateriju ako je ne mislite koristiti duže vrijeme (duže od 6 mjeseci).

## Važne sigurnosne upute za bežičnu jedinicu

1. Nemojte rastavljati ili izmjenjivati bežičnu jedinicu.
2. Držite bežičnu jedinicu podalje od male djece. U slučaju gutanja odmah potražite liječničku pomoć.
3. Bežičnu jedinicu upotrebljavajte samo s alata Makita.
4. Ne izlažite bežičnu jedinicu kiši ni vlazi.
5. Nemojte upotrebljavati bežičnu jedinicu na mjestima na kojima temperatura premašuje 50 °C.
6. Nemojte upotrebljavati bežičnu jedinicu na mjestima na kojima se nalaze medicinski instrumenti, npr. ako su u blizini pejsmejkri.
7. Nemojte upotrebljavati bežičnu jedinicu na mjestima na kojima se nalaze automatski uređaji. Ako automatski uređaji rade, može doći do kvara ili poremećaja.
8. Bežična jedinica može proizvesti elektromagnetska polja (EMP), ali ona nisu štetna za korisnika.
9. Bežična je jedinica precizan instrument. Pazite da vam bežična jedinica ne ispadne ili da je ne udarite.
10. Izbjegavajte dodirivati priključak bežične jedinice golim rukama ili metalnim predmetima.
11. Uvijek uklonite bateriju iz alata pri umetanju bežične jedinice.
12. Kad otvarate poklopac utora, izbjegavajte mjesta na kojima može doći do ulaska prašine i vode u utor. Uvijek održavajte ulaz utora čistim.

13. Uvijek umetnite bežičnu jedinicu u ispravnom smjeru.
14. Nemojte pritiskati gumb za aktivaciju bežične jedinice prejako i/ili ga pritiskati predmetom koji ima oštar rub.
15. Uvijek zatvorite poklopac utora prilikom rada.
16. Nemojte uklanjati bežičnu jedinicu iz utora dok je aktivno napajanje alata. U protivnom može doći do kvara bežične jedinice.
17. Nemojte uklanjati naljepnicu s bežične jedinice.
18. Nemojte stavljati bilo kakve naljepnice na bežičnu jedinicu.
19. Nemojte ostavljati bežičnu jedinicu na mjestu gdje može doći do statičkog elektriciteta ili električnog šuma.
20. Nemojte ostavljati bežičnu jedinicu na mjestu izloženom velikoj toplini, primjerice na sjedalu u automobilu izloženom suncu.
21. Nemojte ostavljati bežičnu jedinicu na prašnjavom mjestu ili na mjestu gdje može nastati korozivni plin.
22. Iznadna promjena temperature može izazvati rošenje bežične jedinice. Nemojte upotrebljavati bežičnu jedinicu dok se potpuno ne osuši.
23. Prilikom čišćenja bežične jedinice nježno je obrišite suhom i mekanom krpom. Nemojte upotrebljavati benzin, razrjeđivač, provodljivu mast ili slično.
24. Bežičnu jedinicu pohranite u priloženoj kutiji ili antistatičkom spremniku.
25. Nemojte umetati bilo kakve uređaje osim bežične jedinice Makita u utor na alatu.
26. Nemojte upotrebljavati alat ako je poklopac utora oštećen. Voda, prašina i prljavština mogu prodrijeti u utor i prouzročiti kvar.
27. Nemojte povlačiti i/ili izvijati poklopac utora više nego što je potrebno. Vratite poklopac ako spadne s alata.
28. Zamijenite poklopac utora ako ga izgubite ili oštetite.

## ČUVAJTE OVE UPUTE.

## FUNKCIONALNI OPIS

**⚠ OPREZ:** Prije podešavanja ili provjere rada alata obavezno provjerite je li stroj isključen i baterija uklonjena.

### Umetanje ili uklanjanje baterije

**⚠ OPREZ:** Uvijek isključite alat prije umetanja ili uklanjanja baterije.

**⚠ OPREZ:** Čvrsto držite alat i bateriju pri umetanju ili uklanjanju baterije. Ako alat i bateriju ne držite čvrsto, mogli bi vam iskliznuti iz ruku te oštetiti alat i bateriju ili uzrokovati osobnu ozljedu.

► **Sl.1:** 1. Crveni indikator 2. Gumb 3. Baterija

Za uklanjanje bateriju gurnite van iz alata pritiskom gumba na prednjoj strani uloška.

Za umetanje baterije poravnajte jezičac na bateriji s otvorom u kućištu i gurnite je na mjesto. Umetnite bateriju skroz do kraja dok ne sjedne na svoje mjesto uz mali klik. Ako možete vidjeti crveni indikator na gornjoj strani gumba, baterija nije do kraja sjela na svoje mjesto.

**⚠ OPREZ:** Uvijek umetnite bateriju dok kraja tako da ne možete vidjeti crveni indikator. U suprotnom može slučajno ispasti iz alata, što može dovesti do ozljede vas ili nekog u blizini.

**⚠ OPREZ:** Ne umećite bateriju silom. Ako baterija ne klizne lagano, znači da nije ispravno umetnuta.

### Prikaz preostalog kapaciteta baterije

**Samo za baterijske uloške s indikatorom**

► **Sl.2:** 1. Žaruljice indikatora 2. Gumb za provjeru

Pritisnite gumb za provjeru na bateriji kako biste provjerili preostali kapacitet baterije. Žaruljica indikatora zasvijetlit će na nekoliko sekundi.

Žaruljice indikatora			Preostali kapacitet
Svijetli	Isključeno	Treperi	
■ ■ ■ ■			75 % do 100 %
■ ■ ■ □			50 % do 75 %
■ ■ □ □			25 % do 50 %
■ □ □ □			0 % do 25 %
▣ □ □ □			Napunite bateriju.
■ ■ □ □	↑ ↓	■ ■	Baterija je možda neispravna.

**NAPOMENA:** Ovisno o uvjetima upotrebe i temperaturi okoline, prikaz indikatora može se donekle razlikovati od stvarnog kapaciteta.

## Prikaz preostalog kapaciteta baterije

**Ovisno o državi**

Kada uključite alat, pokazatelj baterije prikazuje preostali kapacitet baterije.

► **Sl.3:** 1. Indikator baterije

Preostali kapacitet baterije prikazuje se kao u sljedećoj tablici.

Stanje indikatora baterije			Preostali kapacitet baterije
Uključeno	Isključeno	Treperi	
			50 % do 100 %
			20 % do 50 %
			0 % do 20 %
			Napunite bateriju

## Sustav zaštite alata/baterije

Ovaj alat sadrži sustav zaštite alata/baterije. Sustav automatski prekida napajanje motora da bi produžio vijek trajanja alata i baterije. Alat automatski prestaje raditi ako se alat ili baterija nađu u nekom od sljedećih uvjeta:

### Zaštita od preopterećenja

Kad alat radi na način uslijed kojega povlači neobično veliku struju, automatski će se zaustaviti bez ikakve signalizacije. U tom slučaju isključite alat i prekinite radnje koje su izazvale preopterećenje alata. Zatim uključite alat kako biste ga pokrenuli.

### Zaštita od pregrijavanja

Kad se alat pregrije, alat se automatski zaustavlja, a pokazatelj baterije prikazuje sljedeće stanje. U tom slučaju pričekajte da se alat ohladi prije nego što ga ponovno uključite.

Uključeno	Treperi

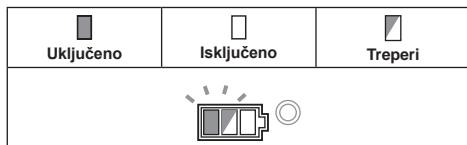
Ako se alat ne pokrene, moguće je da se baterija pregrijala. U tom slučaju pričekajte da se baterija ohladi prije nego što ponovno pokrenete alat.

### Zaštita od prekomjernog pražnjenja

Ako kapacitet baterije nije dovoljan, alat se automatski zaustavlja. U tom slučaju izvadite baterijski uložak iz alata i napunite ga.

## Otpuštanje zaštitne blokade

Kad zaštitni sustav neprekidno radi, alat se blokira, a pokazatelj baterije prikazuje sljedeće stanje. U tom slučaju alat se ne pokreće čak i ako isključite i uključite alat. Da biste otpustili zaštitnu blokadu, uklonite bateriju, postavite je u punjač baterije i pričekajte dok se ne završi punjenje.



## Blokada vretena

Pritisnite blokadu vretena kako se vreteno ne bi okretalo kada postavljate ili skidate dodatnu opremu.

► **SI.4:** 1. Blokada vretena

**NAPOMENA:** Nikada nemojte aktivirati blokadu vretena dok vreteno radi. Može se oštetiti alat.

## Uključivanje i isključivanje

**⚠ OPREZ:** Prije postavljanja baterije u alat, uvijek provjerite radi li klizni prekidač i vraća li se u položaj za isključivanje „OFF” kad pritisnete stražnju stranu kliznog prekidača.

**⚠ OPREZ:** Prekidač se može zaključiti u uključenom položaju „ON” kako bi korisniku bilo udobnije koristiti alat tijekom duljeg vremena. Budite oprezni kada zaključavate alat u uključenom položaju „ON” i cijelo ga vrijeme čvrsto držite.

Da biste pokrenuli alat, pomaknite klizni prekidač u položaj za uključivanje „I (ON)” pritiskanjem njegove stražnje strane. Za neprekidni rad pritisnite prednju stranu kliznog prekidača da biste ga zaključali. Da biste zaustavili alat, pritisnite stražnju stranu kliznog prekidača, a zatim ga gurnite u položaj za isključivanje „O (OFF)”.

► **SI.5:** 1. Klizni prekidač

## Regulator brzine

Brzina okretanja alata može se promijeniti okretanjem regulatora brzine. U tablici u nastavku prikazan je broj na regulatoru i odgovarajuća brzina okretanja.

► **SI.6:** 1. Regulator brzine



Broj	Brzina
1	3.000 min <sup>-1</sup>
2	4.500 min <sup>-1</sup>
3	6.000 min <sup>-1</sup>
4	7.500 min <sup>-1</sup>
5	8.500 min <sup>-1</sup>

**NAPOMENA:** Ako alat kontinuirano radi pri niskoj brzini dugo vremena, motor će postati preopterećen, što će dovesti do kvara alata.

**NAPOMENA:** Kad mijenjate brzinu s „5” na „1”, okrenite regulator u smjeru suprotnom od kazaljke na satu. Nemojte na silu okretati regulator u smjeru kazaljke na satu.

## Funkcija za automatsku promjenu brzine

► **SI.7:** 1. Indikator načina rada

Stanje indikatora načina rada	Način rada
	Način rada velike brzine
	Način rada s velikom okretnim momentom

Ovaj alat ima „način rada velike brzine” i „način rada s velikom okretnim momentom”. Automatski mijenja način rada ovisno o radnom opterećenju. Ako indikator načina rada zasvijetli tijekom rada, alat je u načinu rada s velikom okretnim momentom.

## Funkcija za sprečavanje slučajnog pokretanja

Čak i ako je baterija postavljena u alat s kliznim prekidačem u položaju za uključivanje „I (ON)”, alat se ne pokreće.

Za pokretanje alata prvo pomaknite klizni prekidač u položaj „O (OFF)” (isključen), a zatim ga klizno pomaknite prema položaju „I (ON)” uključen.

## Elektronička funkcija kontrole okretnog momenta

Alat elektronički prepoznaje situacije u kojima postoji opasnost od zaglavlivanja ploče ili dodatka. U tom slučaju, alat se automatski isključuje kako bi se spriječio daljnje okretanje vratila (ne sprječava povratni udar). Kako biste ponovno pokrenuli alat, najprije ga isključite i uklonite uzrok iznenadnog pada brzine okretanja, a zatim ga ponovno uključite.

## Značajka mekog pokretanja (soft-start)

Značajka mekog pokretanja smanjuje reagiranje pri pokretanju.

## Električna kočnica

**Samo za model DGA413/DGA414/DGA463/DGA464/DGA513/DGA514**

Električna kočnica uključuje se nakon isključenja alata. Kočnica ne radi kada je napajanje isključeno, primjerice kada se slučajno ukloni baterija, a prekidač još uključen.



# MONTAŽA

**⚠ OPREZ:** Prije podešavanja ili provjere rada alata obavezno provjerite je li stroj isključen i baterija uklonjena.

## Postavljanje bočnog rukohvata (ručke)

**⚠ OPREZ:** Prije rada uvijek provjerite je li bočni rukohvat sigurno postavljen.

Bočni rukohvat dobro učvrstite na alatu u položaj prikazan na slici.

► **Sl.8**

## Postavljanje ili skidanje štitnika ploče (za koljenastu brusnu ploču, lepezasti disk, savitljivu ploču, četku sa žičanom pločom / abrazivnu reznu ploču, dijamantnu ploču)

**⚠ UPOZORENJE:** Kada koristite koljenastu brusnu ploču, lepezasti disk, savitljivu ploču ili četku sa žičanom pločom, štitnik ploče mora biti pričvršćen na alat tako da je zatvorena strana štitnika uvijek usmjerena prema rukovatelju.

**⚠ UPOZORENJE:** Pri upotrebi abrazivne rezne/dijamantne ploče rabite isključivo poseban štitnik namijenjen za uporabu s brusnim pločama.

(U nekim europskim zemljama, kada koristite dijamantnu ploču, možete upotrijebiti običan štitnik. Pridržavajte se propisa važećih u vašoj zemlji.)

## Za alat sa štitnikom ploče sa zabravnim vijkom

Postavite štitnik ploče sa izbočinama na traku štitnika ploče koja je poravnat sa urezima na kućištu ležaja. Nakon toga okrenite štitnik za onoliko stupnjeva koliko može štiti rukovatelja, ovisno o radu. Obavezno čvrsto zategnite vijak. Za uklanjanje štitnika učinite isto obrnutim redoslijedom.

► **Sl.9:** 1. Štitnik ploče 2. Kućište ležaja 3. Vijak

## Za alat sa štitnikom koluta u obliku poluge za stezanje

Otpustite vijak pa povucite ručicu u smjeru strelice. Postavite štitnik ploče sa izbočinama na traku štitnika ploče koja je poravnat sa urezima na kućištu ležaja. Nakon toga okrenite štitnik za onoliko stupnjeva koliko može štiti rukovatelja, ovisno o radu.

► **Sl.10:** 1. Štitnik ploče 2. Kućište ležaja 3. Vijak 4. Ručica

Povucite ručicu u smjeru strelice. Zatim zategnete štitnik ploče pričvršćivanjem vijka. Obavezno čvrsto zategnite vijak. Kut štitnika ploče možete podešavati pomoću ručice.

► **Sl.11:** 1. Vijak 2. Ručica

Za uklanjanje štitnika učinite isto obrnutim redoslijedom.

## Postavljanje ili uklanjanje koljenaste brusne ploče ili lepezastog diska

### Dodatni pribor

**⚠ UPOZORENJE:** Kad se koristi koljenasta brusna ploča ili lepezasti disk, štitnik ploče mora biti pričvršćen na alat tako da je zatvorena strana uvijek usmjerena prema rukovatelju.

**⚠ OPREZ:** Pobrinite se da montažni dio unutarnje prirubnice savršeno odgovara unutarnjem promjeru koljenaste brusne ploče/lepezastog diska. Montaža unutarnje prirubnice na pogrešnoj strani može dovesti do opasnih vibracija.

Postavite unutarnju prirubnicu na vreteno. Obavezno postavite udubljeni dio unutarnje prirubnice na ravni dio na dno vretena. Namjestite koljenastu ploču/lepezasti disk na unutarnju prirubnicu i zavijte sigurnosnu maticu na vreteno.

► **Sl.12:** 1. Sigurnosna matica 2. Koljenasta brusna ploča 3. Unutarnja prirubnica 4. Montažni dio

Da biste zategnuli sigurnosnu maticu, čvrsto pritisnite gumb za blokadu vretena tako da se vratilo ne može okretati, a zatim ključem čvrsto zategnite sigurnosnu maticu u smjeru kazaljke na satu.

► **Sl.13:** 1. Ključ za sigurnosnu maticu 2. Blokada vretena

Za skidanje ploče učinite isto obrnutim redoslijedom.

## Postavljanje ili uklanjanje savitljive ploče

### Dodatni pribor

**⚠ UPOZORENJE:** Uvijek koristite isporučeni štitnik kada je savitljiva ploča na alatu. Ploča se tijekom uporabe može razbiti, a štitnici pomažu da se smanji mogućnost osobnih ozljeda.

► **Sl.14:** 1. Sigurnosna matica 2. Savitljiva ploča 3. Podloška 4. Unutarnja prirubnica

Slijedite upute za koljenastu brusnu ploču, ali preko ploče stavite i podlošku. Potražite redoslijed sastavljanja na stranici s priborom u ovom priručniku.

## Postavljanje ili uklanjanje abrazivnog diska

### Dodatni pribor

**NAPOMENA:** Koristite isključivo dodatke za brušenje nevedene u ovom priručniku. Mora se kupiti zasebno.

## Za model od 100 mm

► **Sl.15:** 1. Sigurnosna matica za brušenje 2. Abrazivni disk 3. Gumena podloška 4. Unutarnja prirubnica

1. Postavite unutarnju prirubnicu na vreteno.
2. Postavite gumenu podlošku na vreteno.
3. Namjestite disk na gumenu podlošku i zategnite brusnu sigurnosnu maticu na vreteno.

4. Držite vratilo u blokadi vretena i čvrsto zategnite sigurnosnu maticu za brušenje u smjeru kazaljke na satu ključem za sigurnosne matice.

Za uklanjanje ploče učinito isto što i za postavljanje, ali obrnutim redoslijedom.

## Za model od 115 mm/125 mm

► **SI.16:** 1. Sigurnosna matica za brušenje  
2. Abrazivni disk 3. Gumena podloška

1. Postavite gumenu podlošku na vreteno.
2. Namjestite disk na gumenu podlošku i zategnite brusnu sigurnosnu maticu na vreteno.
3. Držite vratilo u blokadi vretena i čvrsto zategnite sigurnosnu maticu za brušenje u smjeru kazaljke na satu ključem za sigurnosne matice.

Za uklanjanje ploče učinito isto što i za postavljanje, ali obrnutim redoslijedom.

## Spajanje usisavača

### Dodatni pribor

**⚠ UPOZORENJE:** Nikada nemojte usisavati metalne čestice koje nastaju brušenjem / rezanjem / finim brušenjem. Metalne čestice koje nastaju takvim radovima izrazito su vruće i mogle bi zapaliti prašinu i filter u usisivaču prašine.

Da biste izbjegli nakupljanje prašine u okolini uslijed rezanja zidarskih materijala, upotrebljavajte štitnik ploče protiv prašine i usisivač prašine.

Upute za sastavljanje i upotrebu štitnika ploče protiv prašine potražite u priručniku s uputama.

► **SI.17:** 1. Štitnik ploče protiv prašine 2. Crijevo usisavača prašine

## RAD

**⚠ UPOZORENJE:** Zabranjena je primjena sile na alat. Težina alata osigurava odgovarajući pritisak. U slučaju pretjeranog pritiska postoji opasnost od pucanja ploče.

**⚠ UPOZORENJE:** UVIJEK zamijenite ploču ako tijekom brušenja ispustite alat.

**⚠ UPOZORENJE:** Brusnom pločom ili diskom NE SMIJETE udarati o izradak.

**⚠ UPOZORENJE:** Vodite računa da ploča ne odskoči ili da se ne okrhne, osobito pri obradi kutova, oštih rubova, itd. To može uzrokovati gubitak kontrole i povratni udar.

**⚠ UPOZORENJE:** NIKAD ne koristite alat s listovima pile za rezanje drveta i drugim listovima pile. Kada se takvi listovi upotrijebe na brusilici, izazivaju česte povratne udarce i gubitak kontrole.

**⚠ OPREZ:** Ne uključujte alat dok je dotičaju s izratkom jer to može uzrokovati ozljede rukovatelja.

**⚠ OPREZ:** Uvijek nosite zaštitne naočale ili štitnik za lice tijekom rada.

**⚠ OPREZ:** Nakon završetka rada, uvijek isključite alat i pričekajte dok se potpuno ne zaustavi prije nego što ga odložite.

**⚠ OPREZ:** Alat UVIJEK čvrsto držite jednom rukom za kućište i drugom za bočni rukohvat (ručku).

## Oštrenje i poliranje

► **SI.18**

Uključite alat, a zatim postavite ploču ili disk na izradak. Držite rub brusne ploče ili diska pod kutom od oko 15° u odnosu na površinu izratka.

Tijekom razdoblja prilagodbe s novom pločom ne koristite brusilicu u smjeru prema naprijed jer će zarezati izradak. Kada se rub brusne ploče zbog uporabe zao-kruži, ploču možete rabiti i u smjeru prema naprijed i u smjeru unatrag.

## Rad s abrazivnom reznom/ dijamantnom pločom

### Dodatni pribor

**⚠ UPOZORENJE:** Pri upotrebi abrazivne rezne/ dijamantne ploče rabite isključivo poseban štitnik namijenjen za uporabu s brusnim pločama.

(U nekim europskim zemljama, kada koristite dijamantnu ploču, možete upotrijebiti običan štitnik. Pridržavajte se propisa važećih u vašoj zemlji.)

**⚠ UPOZORENJE:** NIKAD nemojte rabiti brusnu ploču za bočno brušenje.

**⚠ UPOZORENJE:** Nemojte „zaglavljivati“ ploču niti primjenjivati prekomjerni pritisak. Nemojte pokušavati napraviti predbukni rez. Prekomjerno naprezanje povećava opterećenje i osjetljivost na uvijanje ili zaglavljivanje ploče pri rezanju, kao i mogućnost povratnog udara, pucanja ploče i pregrijavanja motora.

**⚠ UPOZORENJE:** Nemojte ponovno pokretati postupak rezanja na izratku. Pustite da ploča dostigne punu brzinu i pažljivo započnite rezati pomičući alat naprijed preko površine izratka. Ako se električni alat pokrene u izratku, ploča se može saviti, podići ili vratiti unatrag.

**⚠ UPOZORENJE:** Tijekom postupaka rezanja, nikada nemojte miježati kut brusne ploče. Primjena bočnog pritiska na brusnu ploču (kao prilikom brušenja) uzrokuje pucanje i lomljenje ploče te ozbiljne tjelesne ozljede.

**⚠ UPOZORENJE:** Dijamantna ploča mora se postaviti okomito na materijal koji se reže.



- **SI.19:** 1. Sigurnosna matica 2. Abrazivna rezna ploča/dijamantna ploča 3. Unutarnja prirubnica 4. Štitnik ploče za abrazivnu reznu ploču/dijamantnu ploču

Za postavljanje slijedite upute za koljenastu brusnu ploču.

**Smjer postavljanja sigurnosne matice I unutarnje prirubnice razlikuje se ovisno o debljini brusne ploče.**

Pogledajte slike u nastavku.

## Za model od 100 mm

**Prilikom postavljanja abrazivne rezne ploče:**

- **SI.20:** 1. Sigurnosna matica 2. Abrazivna rezna ploča (tanja od 4 mm) 3. Abrazivna rezna ploča (4 mm ili deblja) 4. Unutarnja prirubnica

**Prilikom postavljanja dijamantne ploče:**

- **SI.21:** 1. Sigurnosna matica 2. Dijamantna ploča (tanja od 4 mm) 3. Dijamantna ploča (4 mm ili deblja) 4. Unutarnja prirubnica

## Za model od 115 mm/125 mm

**Prilikom postavljanja abrazivne rezne ploče:**

- **SI.22:** 1. Sigurnosna matica 2. Abrazivna rezna ploča (tanja od 4 mm) 3. Abrazivna rezna ploča (4 mm ili deblja) 4. Unutarnja prirubnica

**Prilikom postavljanja dijamantne ploče:**

- **SI.23:** 1. Sigurnosna matica 2. Dijamantna ploča (tanja od 4 mm) 3. Dijamantna ploča (4 mm ili deblja) 4. Unutarnja prirubnica

## Rad sa žičanom četkom

### Dodatni pribor

**▲ OPREZ:** Provjerite ispravnost četke pokretanjem alata bez opterećenja i pazite da ispred i iza četke nema nikoga.

**▲ OPREZ:** Nemojte koristiti četku koja je oštećena ili koja nije balansirana. Uporaba oštećene četke može povećati mogućnost ozljeda uslijed doticaja sa slomljenim žicama četke.

- **SI.24:** 1. Žičana četka u obliku stošca

Uklonite bateriju iz alata i stavite je naopako da biste omogućili lakši pristup vratilu.

Uklonite sve dodatke s vretena. Umetnite žičanu četku u obliku stošca na vreteno i zategnite je isporučenim ključem.

**NAPOMENA:** Ne pritišćite previše jer bi se tako mogle iskriviti žice prilikom upotrebe četke. To može prouzročiti preuranjeno pucanje.

## Rad sa četkom sa žičanom pločom

### Dodatni pribor

**▲ OPREZ:** Provjerite ispravnost četke sa žičanom pločom pokretanjem alata bez opterećenja i pazite da ispred i iza četke nema nikoga.

**▲ OPREZ:** Nemojte koristiti četku sa žičanom pločom koja je oštećena ili koja nije balansirana. Uporaba oštećene četke sa žičanom pločom može povećati mogućnost ozljeda uslijed doticaja sa slomljenim žicama četke.

**▲ OPREZ:** Za četku sa žičanom pločom **UVIJEK** koristite štitnik i provjerite da se promjer kotača odgovara štitniku. Ploča se tijekom uporabe može razbiti, a štitnici pomažu da se smanji mogućnost osobnih ozljeda.

- **SI.25:** 1. Žičana četka

Uklonite bateriju iz alata i stavite je naopako da biste omogućili lakši pristup vratilu.

Uklonite sve dodatke s vretena. Upletite četku sa žičanom pločom na vreteno i zategnite ključevima.

**NAPOMENA:** Ne pritišćite previše jer bi se tako mogle iskriviti žice prilikom upotrebe četke sa žičanom pločom. To može prouzročiti preuranjeno pucanje.

## FUNKCIJA AKTIVACIJE BEŽIČNE JEDINICE

Samo za DGA412/DGA414/DGA462/DGA464/DGA512/DGA514

### Što možete raditi s funkcijom aktivacije bežične jedinice

Funkcija aktivacije bežične jedinice omogućuje čist i ugodan rad. Priklučivanjem kompatibilnog usisivača prašine na alat možete upotrebljavati usisivač prašine automatski pomoću funkcije prebacivanja alata.

- **SI.26**

Kako biste upotrebljavali funkciju aktivacije bežične jedinice, pripremite sljedeće stavke:

- bežičnu jedinicu
- usisivač prašine koji podržava funkciju aktivacije bežične jedinice

U nastavku donosimo pregled postavljanja funkcije aktivacije bežične jedinice. U pojedinačnim dijelovima možete pronaći detaljan opis koraka.

1. Umetanje bežične jedinice
2. Registracija alata za usisivač prašine
3. Pokretanje funkcije aktivacije bežične jedinice

## Umetanje bežične jedinice

**▲ OPREZ:** Prilikom umetanja bežične jedinice postavite alat na ravnu i čvrstu površinu.

**NAPOMENA:** Očistite prašinu i prljavštinu s alata prije nego što umetnete bežičnu jedinicu. Prašina ili prljavština mogu prouzročiti kvar ako prodru u utor bežične jedinice.

**NAPOMENA:** Kako biste spriječili kvar prouzročen statikom dodirnite materijal sa statičkim pražnjenjem, kao što je metalni dio alata, prije nego što uzmete bežičnu jedinicu.

**NAPOMENA:** Pri umetanju bežične jedinice uvijek provjerite je li bežična jedinica umetnuta u pravilnom smjeru i je li poklopac potpuno zatvoren.

1. Otvorite poklopac na alatu kako je prikazano na slici.  
▶ **SI.27:** 1. Poklopac

2. Umetnite bežičnu jedinicu u utor, a zatim zatvorite poklopac.

Pri umetanju bežične jedinice poravnajte izbočine s udubljenim dijelovima utora.

▶ **SI.28:** 1. Bežična jedinica 2. Izbočina 3. Poklopac 4. Udubljeni dio

Kada uklanjate bežičnu jedinicu, polako otvorite poklopac. Kuke sa stražnje strane poklopca podignut će bežičnu jedinicu dok povlačite poklopac.

▶ **SI.29:** 1. Bežična jedinica 2. Kuka 3. Poklopac

Nakon uklanjanja bežične jedinice pohranite je u priložnoj kutiji ili antistatičkom spremniku.

**NAPOMENA:** Uvijek se koristite kukama sa stražnje strane poklopca pri uklanjanju bežične jedinice. Ako kuke ne zahvate bežičnu jedinicu, potpuno zatvorite poklopac i polako ga ponovno otvorite.

## Registracija alata za usisivač prašine

**NAPOMENA:** Za registraciju alata potreban je usisivač prašine Makita koji podržava funkciju aktivacije bežične jedinice.

**NAPOMENA:** Prije registracije alata umetnite bežičnu jedinicu u alat.

**NAPOMENA:** Tijekom registracije alata nemojte povlačiti uključno/isključnu sklopku ili uključivati sklopku napajanja usisivača prašine.

**NAPOMENA:** Pogledajte i priručnik s uputama za usisivač prašine.

Ako želite aktivirati usisivač prašine zajedno s funkcijom prebacivanja alata, najprije dovršite registraciju alata.

1. Umetnite baterije u usisivač prašine i alat.

2. Postavite prekidač za stanje pripravnosti na usisivaču prašine na „AUTO“.

▶ **SI.30:** 1. Prekidač za stanje pripravnosti

3. Pritisnite gumb za aktivaciju bežične jedinice na usisivaču prašine i držite 3 sekunde dok žaruljica aktivacije bežične jedinice ne počne treperiti zeleno. Zatim na isti način pritisnite gumb za aktivaciju bežične jedinice na alatu.

- ▶ **SI.31:** 1. Gumb za aktivaciju bežične jedinice  
2. Žaruljica za aktivaciju bežične jedinice

Ako su usisivač prašine i alat uspješno povezani, žaruljice za aktivaciju bežične jedinice zasvijetlit će zeleno u trajanju od 2 sekunde i početi treperiti plavo.

**NAPOMENA:** Žaruljice aktivacije bežične jedinice prestat će treperiti zeleno nakon 20 sekundi. Pritisnite gumb za aktivaciju bežične jedinice na alatu dok na usisivaču treperi žaruljica aktivacije bežične jedinice. Ako žaruljica aktivacije bežične jedinice ne treperi zeleno, nakratko ponovno pritisnite i držite gumb za aktivaciju bežične jedinice.

**NAPOMENA:** Ako registrirate jedan ili više alata za jedan usisivač prašine, provedite registracije pojedinačno.

## Pokretanje funkcije aktivacije bežične jedinice

**NAPOMENA:** Prije aktivacije bežične jedinice dovršite registraciju alata za usisivač prašine.

**NAPOMENA:** Pogledajte i priručnik s uputama za usisivač prašine.

Nakon što registrirate alat za usisivač prašine, usisivač prašine automatski radi s funkcijom prebacivanja alata.

1. Postavite bežičnu jedinicu na alat.

2. Priključite crijevo usisivača prašine na alat.

▶ **SI.32**

3. Postavite prekidač za stanje pripravnosti na usisivaču prašine na „AUTO“.

▶ **SI.33:** 1. Prekidač za stanje pripravnosti

4. Kratko pritisnite gumb za aktivaciju bežične jedinice na alatu. Žaruljica za aktivaciju bežične jedinice zatreperti će plavo.

▶ **SI.34:** 1. Gumb za aktivaciju bežične jedinice

2. Žaruljica za aktivaciju bežične jedinice

5. Povucite uključno/isključnu sklopku na alatu. Provjerite radi li usisivač prašine dok se povlači uključno/isključna sklopka.

Kako biste prekinuli aktivaciju bežične jedinice usisivača prašine, pritisnite gumb za aktivaciju bežične jedinice na alatu.

**NAPOMENA:** Žaruljica za aktivaciju bežične jedinice na alatu prestat će treperiti plavo ako nema aktivnosti u trajanju od 2 sata. U tom slučaju postavite prekidač za stanje pripravnosti na „AUTO“ i ponovno pritisnite gumb za aktivaciju bežične jedinice.

**NAPOMENA:** Usisivač prašine pokreće se ili zaustavlja s odgodom. Postoji vremenska odgoda ako usisivač prašine otkrije funkciju prebacivanja na alatu.




**NAPOMENA:** Udaljenost prijenosa bežične jedinice može varirati ovisno o lokaciji i okolnim uvjetima.

**NAPOMENA:** Ako je jedan ili više alata registriran za jedan usisivač prašine, usisivač prašine može se pokrenuti čak i ako ne povučete uključno/isključnu sklopku jer drugi korisnik upotrebljava funkciju aktivacije bežične jedinice.

## Opis statusa žaruljice za aktivaciju bežične jedinice

### ► SI.35: 1. Žaruljica za aktivaciju bežične jedinice

Žaruljica za aktivaciju bežične jedinice prikazuje status funkcije aktivacije bežične jedinice. Značenje statusa žaruljice možete pogledati u tablici u nastavku.

Status	Žaruljica za aktivaciju bežične jedinice				Opis
	Boja	 Uključeno	 Treperi	Trajanje	
Stanje pripravnosti	Plavo			2 sata	Dostupna je aktivacija bežične jedinice usisivača prašine. Žaruljica se automatski isključuje ako nema aktivnosti u trajanju od 2 sata.
				Kad alat radi.	Dostupna je aktivacija bežične jedinice usisivača prašine i alat radi.
Registracija alata	Zeleno			20 sekundi	Spremno za registraciju alata. Čekanje na registraciju od usisivača prašine.
				2 sekunde	Registracija alata je dovršena. Žaruljica za aktivaciju bežične jedinice zatreperit će plavo.
Poništavanje registracije alata	Crveno			20 sekundi	Spremno za poništavanje registracije alata. Čekanje na poništavanje od usisivača prašine.
				2 sekunde	Poništenje registracije alata je dovršeno. Žaruljica za aktivaciju bežične jedinice zatreperit će plavo.
Ostalo	Crveno			3 sekunde	Uspostavlja se napajanje bežične jedinice i pokreće se funkcija aktivacije bežične jedinice.
	Isključeno	-		-	Zaustavljena je aktivacija bežične jedinice usisivača prašine.

## Poništavanje registracije alata za usisivač prašine

Pri poništavanju registracije alata za usisivač prašine izvedite sljedeće korake.

1. Umetnite baterije u usisivač prašine i alat.
2. Postavite prekidač za stanje pripravnosti na usisivaču prašine na „AUTO”.

### ► SI.36: 1. Prekidač za stanje pripravnosti

3. Pritisnite gumb za aktivaciju bežične jedinice na usisivaču prašine i držite 6 sekundi. Žaruljica za aktivaciju bežične jedinice najprije treperi zeleno, a zatim crveno. Nakon toga, na isti način pritisnite gumb za aktivaciju bežične jedinice na alatu.

### ► SI.37: 1. Gumb za aktivaciju bežične jedinice 2. Žaruljica za aktivaciju bežične jedinice

Ako je poništavanje bilo uspješno, žaruljice za aktivaciju bežične jedinice zasvijetlit će crveno u trajanju od 2 sekunde i početi treperiti plavo.

**NAPOMENA:** Žaruljice aktivacije bežične jedinice prestat će treperiti crveno nakon 20 sekundi. Pritisnite gumb za aktivaciju bežične jedinice na alatu dok na usisivaču treperi žaruljica aktivacije bežične jedinice. Ako žaruljica aktivacije bežične jedinice ne treperi crveno, nakratko ponovno pritisnite i držite gumb za aktivaciju bežične jedinice.

## Rješavanje problema funkcije aktivacije bežične jedinice

Prije nego zatražite popravak, sami pregledajte stroj. Ako pronađete problem za koji ne postoji objašnjenje u uputama, nemojte pokušavati rastaviti alat. Umjesto toga obratite se ovlaštenom servisnom centru tvrtke Makita koji za popravke uvijek koristi zamjenske dijelove tvrtke Makita.

Stanje nepravilnosti	Mogući uzroci (kvar)	Otklanjanje problema
Žaruljica za aktivaciju bežične jedinice ne svijetli/treperi.	Bežična jedinica nije umetnuta u alat. Bežična jedinica nije ispravno umetnuta u alat.	Ispravno umetnite bežičnu jedinicu.
	Priključak bežične jedinice i/ili utor su zaprljani.	Nježno obrišite prašinu i prljavštinu s priključka bežične jedinice i očistite utor.
	Nije pritisnut gumb za aktivaciju bežične jedinice na alatu.	Kratko pritisnite gumb za aktivaciju bežične jedinice na alatu.
	Prekidač za stanje pripravnosti na usisivaču prašine nije postavljen na „AUTO“.	Postavite prekidač za stanje pripravnosti na usisivaču prašine na „AUTO“.
	Nije uspostavljeno napajanje	Uspostavite napajanje alata i usisivača prašine.
Nije moguće uspješno dovršiti registraciju alata / poništiti registraciju alata.	Bežična jedinica nije umetnuta u alat. Bežična jedinica nije ispravno umetnuta u alat.	Ispravno umetnite bežičnu jedinicu.
	Priključak bežične jedinice i/ili utor su zaprljani.	Nježno obrišite prašinu i prljavštinu s priključka bežične jedinice i očistite utor.
	Prekidač za stanje pripravnosti na usisivaču prašine nije postavljen na „AUTO“.	Postavite prekidač za stanje pripravnosti na usisivaču prašine na „AUTO“.
	Nije uspostavljeno napajanje	Uspostavite napajanje alata i usisivača prašine.
	Neispravan rad	Kratko pritisnite gumb za aktivaciju bežične jedinice i ponovno izvedite postupak registracije alata / poništavanja registracije alata.
	Alat i usisivač prašine previše su međusobno udaljeni (izvan raspona prijenosa).	Približite alat i usisivač prašine jedan drugom. Maksimalna udaljenost prijenosa iznosi otprilike 10 m, ali može varirati ovisno o uvjetima rada.
	Prije dovršetka registracije alata / poništavanja registracije alata; - povučena je uključno/isključna sklopka na alatu ili; - uključena je sklopka napajanja na usisivaču prašine.	Kratko pritisnite gumb za aktivaciju bežične jedinice i ponovno izvedite postupak registracije alata / poništavanja registracije alata.
	Postupak registracije za alat ili usisivač prašine nije dovršen.	Istodobno provedite postupak registracije za alat i za usisivač prašine.
	Radijske smetnje od drugih uređaja stvaraju visokointenzivne radiovalove.	Držite alat i usisivač prašine podalje od uređaja kao što su Wi-Fi uređaji i mikrovalne pećnice.

Stanje nepravilnosti	Mogući uzroci (kvar)	Otklanjanje problema
Usisivač prašine ne radi zajedno s funkcijom prebacivanja alata.	Bežična jedinica nije umetnuta u alat. Bežična jedinica nije ispravno umetnuta u alat.	Ispravno umetnite bežičnu jedinicu.
	Priključak bežične jedinice i/ili utor su zaprljani.	Nježno obrišite prašinu i prljavštinu s priključka bežične jedinice i očistite utor.
	Nije pritisnut gumb za aktivaciju bežične jedinice na alatu.	Kratko pritisnite gumb za aktivaciju bežične jedinice i uvjerite se da žaruljica za aktivaciju bežične jedinice treperi plavo.
	Prekidač za stanje pripravnosti na usisivaču prašine nije postavljen na „AUTO“.	Postavite prekidač za stanje pripravnosti na usisivaču prašine na „AUTO“.
	Na usisivač prašine registrirano je više od 10 alata.	Ponovno provedite registraciju alata. Ako je za usisivač prašine registrirano više od 10 alata, alat koji je prvi registriran bit će automatski poništen.
	Usisivač prašine izbrisao je sve registracije alata.	Ponovno registrirajte alat.
	Nije uspostavljeno napajanje	Uspostavite napajanje alata i usisivača prašine.
	Alat i usisivač prašine previše su međusobno udaljeni (izvan raspona prijenosa).	Približite alat i usisivač prašine jedan drugom. Maksimalna udaljenost prijenosa iznosi otprilike 10 m, ali može varirati ovisno o uvjetima rada.
Radijske smetnje od drugih uređaja stvaraju visokointenzivne radiovalove.	Držite alat i usisivač prašine podalje od uređaja kao što su Wi-Fi uređaji i mikrovalne pećnice.	
Usisivač prašine radi dok nije povučena uključno/isključna sklopka.	Drugi korisnici upotrebljavaju funkciju aktivacije bežične jedinice usisivača prašine na svojim alatima.	Isključite gumb za aktivaciju bežične jedinice na drugim alatima.

## ODRŽAVANJE

**⚠ OPREZ:** Prije svih zahvata na stroju provjerite jeste li isključili stroj i uklonili bateriju.

**NAPOMENA:** Nikada nemojte koristiti benzin, mješavinu benzina, razrjeđivač, alkohol ili slično. Kao rezultat toga može se izgubiti boja, pojaviti deformacija ili pukotine.

## Čišćenje ventilacijskih otvora

Alat i njegovi ventilacijski otvori se moraju držati čistim. Redovito čistite ventilacijske otvore ili kad god se otvori začepe.

► **SI.38:** 1. Ispušni otvor 2. Usisni otvor

Uklonite poklopac za prašinu s ulaznog otvora ventilacije i očistite ga za neprekinuti protok zraka.

► **SI.39:** 1. Zaštitni pokrov

**NAPOMENA:** Očistite poklopac za zaštitu od prašine kada je začepljen prašinom ili stranim tvarima. Nastavak rada sa začepljenim poklopcem za prašinu može oštetiti alat.

# DODATNI PRIBOR

**⚠ OPREZ:** Ovaj dodatni pribor ili priključci preporučuju se samo za upotrebu s alatom Makita navedenim u ovom priručniku. Upotreba bilo kojeg drugog dodatnog pribora ili priključaka može prouzročiti ozljede. Upotrebljavajte dodatni pribor ili priključak samo za njegovu navedenu svrhu.

Ako vam je potrebna pomoć za više detalja u pogledu ovih dodatnih pribora, obratite se najbližem Makita servisnom centru.

- Izvorna Makita baterija i punjač
- Bežična jedinica (za modele s funkcijom aktivacije bežične jedinice)

## ► SI.40

-	Model od 100 mm	Model od 115 mm	Model od 125 mm
1	Ručka 36		
2	Štitnik ploče (za brusnu ploču)		
3	Unutarnja prirubnica		
4	Koljenasta ploča/lepezasti disk		
5	Sigurnosna matica		
6	Podloška		
7	Savitljiva ploča		
8	Unutarnja prirubnica i gumeni podložak 76	Gumena podloška 100	Gumena podloška 115
9	Abrazivni disk		
10	Sigurnosna matica za brušenje		
11	Žičana četka		
12	Žičana četka u obliku stošca		
13	Štitnik ploče (za reznu ploču) *1		
14	Abrazivna rezna ploča/dijamantna ploča		
15	Štitnik ploče protiv prašine		
-	Ključ za sigurnosnu maticu		

**NAPOMENA:** \*1 U nekim se Europskim zemljama prilikom upotrebe dijamantne ploče može koristiti običan štitnik umjesto posebnog štitnika koji prekriva obje strane ploče. Pridržavajte se propisa važećih u vašoj zemlji.

**NAPOMENA:** Neke stavke iz popisa se mogu isporučiti zajedno sa strojem kao standardni dodatni pribori. Oni mogu biti različiti ovisno o zemlji.

## СПЕЦИФИКАЦИИ

Модел:	DGA411	DGA412	DGA413	DGA414
Дијаметар на тркало	100 мм (4")			
Макс. дебелина на тркалото	6,4 мм			
Навој на вретеното	M10			
Номинална брзина (n)	8.500 мин. <sup>-1</sup>			
Вкупна должина	382 мм			
Номинален напон	D.C. 18 V			
Нето тежина	2,2 - 2,8 кг			
Електрична сопирачка	-		✓	
Функција за активирање на безжичниот уред	-	✓	-	✓

Модел:	DGA461	DGA462	DGA463	DGA464
Дијаметар на тркало	115 мм (4-1/2")			
Макс. дебелина на тркалото	7,2 мм			
Навој на вретеното	M14 или 5/8" (во зависност од земјата)			
Номинална брзина (n)	8.500 мин. <sup>-1</sup>			
Вкупна должина	382 мм			
Номинален напон	D.C. 18 V			
Нето тежина	2,3 - 3,0 кг			
Електрична сопирачка	-		✓	
Функција за активирање на безжичниот уред	-	✓	-	✓

Модел:	DGA511	DGA512	DGA513	DGA514
Дијаметар на тркало	125 мм (5")			
Макс. дебелина на тркалото	7,2 мм			
Навој на вретеното	M14 или 5/8" (во зависност од земјата)			
Номинална брзина (n)	8.500 мин. <sup>-1</sup>			
Вкупна должина	382 мм			
Номинален напон	D.C. 18 V			
Нето тежина	2,3 - 3,0 кг		2,4 - 3,0 кг	
Електрична сопирачка	-		✓	
Функција за активирање на безжичниот уред	-	✓	-	✓

- Поради нашата континуирана програма за истражување и развој, спецификациите тука подлежат на промена без најава.
- Спецификациите може да се разликуваат од држава до држава.
- Тежината може да се разликува во зависност од додатоците, вклучувајќи ја и касетата за батерија. Најлесната и најтешката комбинација, согласно процедурата на ЕПТА 01/2014 (Европската асоцијација за електрични алати), се прикажани во табелата.

### Применлива касета за батерија

BL1815N / BL1820 / BL1820B / BL1830 / BL1840 / BL1840B / BL1850 / BL1850B / BL1860B

- Некои од касетите за батерии наведени погоре може да не се достапни зависно од регионот во кој живеете.

**▲ ПРЕДУПРЕДУВАЊЕ:** Користете ги само касетите за батерии наведени погоре. Користењето какви било поинакви касети за батерии може да создаде ризик од повреда и/или пожар.

## Наменета употреба

Алатот е наменет за брусење, стругање и сечење метал и камен без користење вода.

## Бучава

Типична А-вредност за ниво на бучавата одредена во согласност со EN60745:

Модел	Ниво на звучниот притисок ( $L_{pA}$ ): (dB(A))	Ниво на јачина на звукот ( $L_{WA}$ ): (dB(A))	Отстапување (K): (dB(A))
DGA411	80	-	3
DGA412	80	-	3
DGA413	80	-	3
DGA414	80	-	3
DGA461	79	-	3
DGA462	79	-	3
DGA463	79	-	3
DGA464	79	-	3
DGA511	79	-	3
DGA512	79	-	3
DGA513	79	-	3
DGA514	79	-	3

Нивото на бучава при работа може да надмине 80 dB (A).

**▲ ПРЕДУПРЕДУВАЊЕ:** Носете заштита за ушите.

## Вибрации

Вкупна вредност на вибрациите (векторска сума на три оски) одредена во согласност со EN60745:

**Работен режим: брусење површина со нормален страничен држач**

Модел	Ширење вибрации ( $a_{h, AG}$ ): ( $m/s^2$ )	Отстапување (K): ( $m/s^2$ )
DGA411	4,5	1,5
DGA412	4,5	1,5
DGA413	4,5	1,5
DGA414	4,5	1,5
DGA461	6,5	1,5
DGA462	6,5	1,5
DGA463	6,5	1,5
DGA464	6,5	1,5
DGA511	6,5	1,5
DGA512	6,5	1,5
DGA513	6,5	1,5
DGA514	6,5	1,5



**Работен режим: брусење површина со антивибрациски страничен држач**

Модел	Ширење вибрации ( $a_{h, ds}$ ): ( $m/c^2$ )	Отстапување (K): ( $m/c^2$ )
DGA411	4,0	1,5
DGA412	4,0	1,5
DGA413	4,0	1,5
DGA414	4,0	1,5
DGA461	6,0	1,5
DGA462	6,0	1,5
DGA463	6,0	1,5
DGA464	6,0	1,5
DGA511	6,0	1,5
DGA512	6,0	1,5
DGA513	6,0	1,5
DGA514	6,0	1,5

**Работен режим: стругање со диск со нормален страничен држач**

Модел	Ширење вибрации ( $a_{h, ds}$ ): ( $m/c^2$ )	Отстапување (K): ( $m/c^2$ )
DGA411	2,5 $m/c^2$ или помалку	1,5
DGA412	2,5 $m/c^2$ или помалку	1,5
DGA413	2,5 $m/c^2$ или помалку	1,5
DGA414	2,5 $m/c^2$ или помалку	1,5
DGA461	2,5 $m/c^2$ или помалку	1,5
DGA462	2,5 $m/c^2$ или помалку	1,5
DGA463	2,5 $m/c^2$ или помалку	1,5
DGA464	2,5 $m/c^2$ или помалку	1,5
DGA511	2,5 $m/c^2$ или помалку	1,5
DGA512	2,5 $m/c^2$ или помалку	1,5
DGA513	2,5 $m/c^2$ или помалку	1,5
DGA514	2,5 $m/c^2$ или помалку	1,5

**Работен режим: стругање со диск со антивибрациски страничен држач**

Модел	Ширење вибрации ( $a_{h, ds}$ ): ( $m/c^2$ )	Отстапување (K): ( $m/c^2$ )
DGA411	2,5 $m/c^2$ или помалку	1,5
DGA412	2,5 $m/c^2$ или помалку	1,5
DGA413	2,5 $m/c^2$ или помалку	1,5
DGA414	2,5 $m/c^2$ или помалку	1,5
DGA461	2,5 $m/c^2$ или помалку	1,5
DGA462	2,5 $m/c^2$ или помалку	1,5
DGA463	2,5 $m/c^2$ или помалку	1,5
DGA464	2,5 $m/c^2$ или помалку	1,5
DGA511	2,5 $m/c^2$ или помалку	1,5
DGA512	2,5 $m/c^2$ или помалку	1,5
DGA513	2,5 $m/c^2$ или помалку	1,5
DGA514	2,5 $m/c^2$ или помалку	1,5

**НАПОМЕНА:** Номиналната јачина на вибрациите е измерена во согласност со стандардните методи за испитување и може да се користи за споредување алати.

**НАПОМЕНА:** Номиналната јачина на вибрациите може да се користи и како прелиминарна процена за изложеност.

**▲ ПРЕДУПРЕДУВАЊЕ:** Јачината на вибрациите при фактичкото користење на алатот може да се разликува од номиналната вредност, зависно од начинот на којшто се користи алатот.

**▲ ПРЕДУПРЕДУВАЊЕ:** Погрижете се да ги утврдите безбедносните мерки за заштита на лицето кое ракува со алатот врз основа на процената на изложеноста при фактичките услови на употреба (земајќи ги предвид сите делови на работниот циклус, како периодите кога електричниот алат е исклучен и кога работи во празен од, не само кога е активен).

**▲ ПРЕДУПРЕДУВАЊЕ:** Номиналната јачина на вибрациите се користи за главните намени на алатот. Меѓутоа, ако алатот се користи за други намени, јачината на вибрациите може да биде различна.

## Декларација за сообразност од ЕУ

*Само за земјите во Европа*

Декларацијата за сообразност од ЕУ е вклучена во Додаток А од упатствата за корисникот.

## БЕЗБЕДНОСНИ ПРЕДУПРЕДУВАЊА

### Општи упатства за безбедност за електричните алати

**▲ ПРЕДУПРЕДУВАЊЕ:** Прочитајте ги сите безбедносни предупредувања, упатства, илустрации и спецификации дадени со електричниот алат. Ако не се почитуваат сите упатства наведени подолу, може да дојде до струен удар, пожар и/или сериозни повреди.

## Чувајте ги сите предупредувања и упатства за да може повторно да ги прочитате.

Под терминот „електричен алат“ во предупредувањата се мисли на вашиот електричен алат кој работи на струја (со кабел) или на батерии (безжично).

## Безбедносни предупредувања за безжична брусилка

Општи безбедносни предупредувања за брусење, стругање, четкање со жица или абразивно сечење:

1. Овој алат е наменет да се користи за брусење, стругање, четкање со жица или абразивно сечење. Прочитајте ги сите безбедносни предупредувања, упатства, илустрации и спецификации дадени со електричниот алат. Ако не се почитуваат сите упатства наведени подолу, може да дојде до струен удар, пожар и/или сериозни повреди.
2. Не се препорачува да се врши полирање со овој алат. Операциите за кои алатот не е наменет може да предизвикаат опасност и физички повреди.
3. Не користете додатоци што не се посебно одредени и препорачани од производителот на алатот. Тоа што додатоци може да се прикачи на вашиот електричен алат не значи дека е безбеден за употреба.

4. Номиналната брзина на додатокот мора да биде барем еднаква со максималната брзина означена на алатот. Додатоците што се вртат побрзо од номиналната брзина може да се скршат и да се распркаат.
5. Надворешниот пречник и дебелината на додатокот мора да се во рамките на нормалниот капацитет на алатот. Додатоците со неправилна големина не можат соодветно да се заштитат или контролираат.
6. Монтажните додатоци со навој мора да соодветствуваат на навојот на вретеното на брусилката. За додатоци што се монтираат со фланши, отворот за прицвстување на додатокот мора да одговара на дијаметарот на фланшата. Додатоците што не одговараат на монтираниот хардвер на алатот ќе работат без рамнотежа, ќе вибрираат прекумерно и може да предизвикаат губење на контролата.
7. Не користете оштетени додатоци. Пред секоја употреба, проверете ги додатоците како што се абразивните тркала да не се скршени или напукнати, подлошките да не се напукнати, изабени или истрошени, четките да нема откачени или искинати жици. Ако алатот или додатокот ви падне, проверете дали има оштетувања или ставете неоштетен додаток. Откако ќе го проверите и ќе го наместите додатокот, поставете се себеси и околните лица подалеку од рамнината на вртливиот додаток и ракувајте со алатот при максимална неоптоварена брзина една минута. Оштетените додатоци обично се распаѓаат за време на овој пробен период.
8. Носете опрема за лична заштита. Зависно од примената, користете заштита за лицето, безбедносни затемнети очила или заштитни очила. Зависно од работата, носете маска за прашина, ракавици и работна престилка што може да сопре мали отпадоци од брусење или стругање. Заштитата за очи треба да сопира разлетан отпад произведен од работата. Маската за прашина или респираторот треба да можат да ги филтрираат честичките што ги произведува вашата работа. Подолга изложеност на голема бучава може да предизвика оштетување на слухот.
9. Присутните лица треба да се на безбедна оддалеченост од работното подрачје. Секој што влегува во работното подрачје треба да носи заштитна опрема. Парчиња од обработуваниот материјал или од скршен додаток може да одлетаат и да предизвикаат повреди надвор од непосредното работно подрачје.

10. **Држете го алатот само за изолираните држачи кога вршите работи каде што алатот за сечење може да дојде во допир со скриени жици.** Ако дојде до допир со жица под напон, струјата може да се пренесе до металните делови на алатот и да предизвика струен удар на операторот.
11. **Не одложувајте го алатот додека додатокот не сопне сосема.** Вртливиот додаток може да ја зафати површината и да го извлече алатот од контрола.
12. **Алатот не смее да е вклучен додека го пренесувате.** Случаен допир со вртливиот додаток може да ви ја зафати облеката и да ве повреди.
13. **Редовно чистете ги отворите за проветрување на алатот.** Вентилаторот на моторот привлекува прашина во куќиштето, а прекумерното насобирање метал во прав може да предизвика опасност од струен удар.
14. **Не ракувајте со алатот близу до запаливи материјали.** Искрите може да предизвикаат пожар.
15. **Не користете додатоци за коишто се потребни течности за ладење.** Користењето вода или друга течност за ладење може да предизвика струен удар.
4. **Бидете особено внимателни кога работите на агли, остри рабови и сл. Избегнувајте скокање и завлекување на додатокот.** Аглите, острите рабови и отскокнувањето можат да го заглават вртливиот додаток и да предизвикаат губење контрола или повратен удар.
5. **Не ставајте сечила за дрворез или назабени сечила.** Таквите сечила често предизвикуваат повратни удари и губење контрола.

#### **Безбедносни предупредувања специфични за брусене и абразивно сечење:**

1. **Користете само типови тркала што се препорачани за вашиот алат и специфичниот штитник конструирани за избраното тркало.** Тркала за кои алатот не е конструиран не може да се заштитат соодветно и се небезбедни.
2. **Површината што се бруси на тркалата со вдлабнато средиште мора да биде монтирана под рамнината на штитникот.** Неправилно монтираното тркало што поминува низ рамнината на штитникот не може адекватно да се заштити.
3. **Штитникот мора да биде цврсто прикачен на електричниот алат и поставен за максимална безбедност, така што најмал дел на тркалото да е изложен кон операторот.** Штитникот помага да се заштити операторот од парчиња скршено тркало, случаен контакт со тркалото и искри што може да ја запалат облеката.
4. **Тркалата смеат да се користат само за препорачаните намени. На пример: не брусете со страната на тркалото за сечење.** Тркалата за абразивно сечење се наменети за периферно брусеење, па страничните сили што влијаат на таквите тркала можат да ги распркаат.
5. **Секогаш користете неоштетени фланши за тркалото што се со правилни големина и облик за избраното тркало.** Соодветните фланши за тркало го држат тркалото и со тоа ја намалуваат можноста тоа да се скрши. Фланшите за тркалата за сечење може да се различни од фланшите за брусните плочи.
6. **Не користете избени тркала од поголеми електрични алати.** Тркалата наменети за поголемите алати не се погодни за поголемите брзини на помалите алати и може да прснат.

#### **Дополнителни безбедносни предупредувања за абразивно сечење:**

- Повратен удар и предупредувања**  
Повратен удар настанува при ненадејно заглавување или поткачување на тркало, подлошка, четка или некој друг додаток што се врти. Заглавувањето или поткачувањето предизвикува нагло сопирање на вртливиот додаток, што предизвикува губење контрола врз алатот и негово придвижување во насока спротивна од вртењето на тркалото на точката на заглавувањето. На пример, ако абразивно тркало се заглави во работниот материјал, работ на тркалото што влегува во точката на заглавувањето може да се зарие во површината на материјалот, што ќе предизвика тркалото да излезе или да отскокне. Каменот може да отскокне кон операторот или настрана од него, зависно од насоката на движење на каменот во точката на заглавување. Абразивните камења може исто така да се скршат под вакви услови. Повратниот удар е резултат од неправилна употреба на алатот и/или неправилни работни постапки и услови и може да се избегне со преземање соодветни мерки на претпазливост, како што е наведено подолу.
1. **Цврсто држете го алатот и наместете ги телото и раката, така што ќе можат да ги издржат силите од повратен удар. Секогаш користете помошна рачка, ако ја има, за максимална контрола при повратен удар или торзиска реакција за време на стартувањето.** Операторот може да ги контролира торзиските реакции и силите на повратниот удар ако се преземат соодветни мерки на претпазливост.
  2. **Не ставајте ја раката близу до вртливиот додаток.** Додатокот може да се одбие преку раката.
  3. **Не поставувајте го телото во подрачјето каде што алатот ќе се придвижи во случај на повратен удар.** Повратниот удар ќе го фрли алатот во насока спротивна од движењето на тркалото во точката на заглавување.

1. **Не заглавувајте го тркалото за сечење и не притискајте прекумерно. Не обидувајте се да сечете предлабоко.** Пренапрегнувањето на тркалото го зголемува оптоварувањето и можноста за извитување или лепење на тркалото во засекот, а со тоа и можноста за повратен удар или кршење на тркалото.
2. **Не поставувајте го телото во линија со вртливото тркало или зад него.** Кога тркалото, на точката на работа, се движи подалеку од вашето тело, можниот повратен удар може да ги фрли завртеното тркало и алатот право на вас.

3. Кога тркалото се лепи или кога сечењето се прекинува поради нешто, исклучете го алатот и држете го неподвижен додека тркалото не спре целосно. Не обидувајте се да го извадите тркалото за сечење од резот додека тркалото се движи, инаку може да дојде до повратен удар. Испитајте и преземете мерки за отстранување на причините за лепење на тркалото.
4. Не почнувајте со сечењето повторно додека тркалото е во работниот материјал. Оставете тркалото да достигне максимална брзина и внимателно влезете повторно во резот. Тркалото може да се залепи, да осцилира или да дојде до повратен удар ако електричниот алат се активира повторно во материјалот.
5. Прицврстете ги плочите или материјалите што се преголеми за да го намалите ризикот од заглавување на тркалото и повратен удар. Големите парчиња материјал обично се виткаат од сопствената тежина. Држачите треба да се ставаат под материјалот, близу до линијата на сечење и до работ на материјалот од двете страни на тркалото.
6. Бидете особено внимателни кога засекувате во постојни ѕидови или други слепи подрачја. Тркалото, за време на навлегувањето, може да исече водоводни или цевки за плин, електрични инсталации или предмети што може да предизвикаат повратен удар.
3. Внимавајте да не ги оштетите вретеното, фланшата (особено површината за монтирање) или навртката за стегање. Оштетувањето на тие делови може да доведе до кршење на тркалото.
4. Внимавајте каменот да не го допира материјалот пред да се вклучи прекинувачот.
5. Пред да го користите алатот врз работниот материјал, оставете го да поработи малку напразно. Видете дали има вибрации или осцилации што може да укажуваат на лошо монтирање или неизбалансиран камен.
6. Користете ја назначената површина на каменот за да го изведете брусењето.
7. Не оставајте го алатот вклучен. Работете со алатот само кога го држите в раце.
8. Не допирајте го материјалот веднаш по работата, може да е многу жежок и да ви ја изгори кожата.
9. Почитувајте ги упатствата на производителот за правилно монтирање и користење на камењата. Бидете внимателни кога ракувате со камењата и кога ги одложувате.
10. Не користете посебни редуцирачки лежишта или адаптери за да ставате абразивни тркала со голем отвор.
11. Користете само фланши наменети за овој алат.
12. За алатите на кои се ставаат тркала со отвор со навои, внимавајте навојот во тркалото да е доволно долг да ја прими должината на вретеното.

#### Посебни безбедносни предупредувања за шмирглање:

1. Не користете преголем диск со шмиргла. Почитувајте ги препораките на производителот кога бирате шмиргла. Поголема шмиргла што стрчи надвор од подлогата за стругање е опасна бидејќи може да ве расече, да предизвика заглавување, кинење на дискот или повратен удар.

#### Посебни безбедносни предупредувања за четкање со жица:

1. Имајте предвид дека се исфрлаат жичени влакненца од четката дури и при нормална работа. Не напрегајте ги жиците со прекумерен притисок на четката. Влакната на жицата лесно може да пробият лесна облека или кожа.
2. Ако се препорачува користење штитник за четкање со жица, не дозволувајте допир на жиченото тркало или четката со штитникот. Жиченото тркало или четката може да го зголемат пречникот поради работното оптоварување и центрифугалните сили.

#### Дополнителни безбедносни предупредувања:

1. Кога користите брусни плочи со вклобнато средиште, користете само тркала зајакнати со армирано стакло.
2. НЕ КОРИСТЕТЕ испакнати тркала со оваа брусилка. Брусилката не е конструирана за такви видови тркала и користењето такви производи може да доведе до тешки повреди.

## ЧУВАЈТЕ ГО УПАТСТВОТО.

**▲ ПРЕДУПРЕДУВАЊЕ:** НЕ ДОЗВОЛУВАЈТЕ удобноста или познавањето на производот (стекнати со подолга употреба) да ве наведат да не се придржувате строго до безбедносните правила за овој производ. ЗЛОУПОТРЕБАТА или непочитувањето на безбедносните правила наведени во ова упатство може да предизвикаат тешка телесна повреда.

## Важни безбедносни упатства за касетата за батеријата

1. Пред користење на касетата за батеријата, прочитајте ги сите упатства и ознаки за претпазливост на (1) полначот за батеријата, (2) батеријата и (3) производот што ја користи батеријата.
2. Не расклопувајте ја касетата за батеријата.
3. Ако оперативното времето станало прекумерно кратко, престанете веднаш со работа. Тоа може да резултира со ризик од прегревање, можни изгореници, па дури и експлозија.
4. Ако електролит навлезе во вашите очи, измијте ги со чиста вода и побарајте медицинска нега веднаш. Тоа може да резултира со губење на вашиот вид.
5. Не предизвикувајте спој на касетата за батеријата.
  - (1) Не допирајте ги контактите со никаков проводлив материјал.
  - (2) Избегнувајте да ја чувате касетата за батерија во сад со други метални предмети како што се шајки, монети и сл.
  - (3) На изложувајте ја касетата за батеријата на вода или дожд.

Краткиот спој на батеријата може да предизвика голем проток на електрична енергија, прегревање, можни изгореници, па дури и пад на напојувањето.

6. Не складирајте ги алатот и касетата за батеријата на места каде што температурата може да достигне или надминува 50°C.
7. Не палете ја касетата за батеријата дури и кога е многу оштетена или целосно потрошена. Касетата за батеријата може да експлодира ако се стави во оган.
8. Внимавајте да не ја испуштите или удриите батеријата.
9. Не користете оштетена батерија.
10. Содржаните батерии со литиумови јони се подложни на условите во Правилата за опасни предмети.

За комерцијален транспорт на пр. од трети лица и посредници, мора да се следат посебните услови на пакувањата или ознаките. При подготовка на предметот кој треба да се испрати, консултирајте се со експерт за опасни материјали. Исто така, следете ги потенцијално подеталните национални правила.

Залепете ги со леплива лента или маскирајте ги отворените контакти, а батеријата спакувајте ја, така што нема да се движи слободно во пакувањето.

11. Почитувајте ги локалните законски прописи што се однесуваат на фрлање во отпад на батеријата.
12. Користете ги батериите само со производителите назначени од Makita. Монтирањето батерии на неусогласените производи може да резултира со пожар, прекумерна топлина, експлозија или истекување на електролитот.

## ЧУВАЈТЕ ГО УПАТСТВОТО.

**▲ВНИМАНИЕ:** Користете само оригинални батерии на Makita. Користењето неоригинални батерии на Makita или батерии што се изменети може да резултира со распукување на батеријата, предизвикувајќи пожар, телесна повреда и оштетување. Тоа исто така ќе ја поништи гаранцијата на Makita за алатот и полначот на Makita.

## Совети за одржување максимален работен век на батеријата

1. Заменете ја касетата за батеријата пред целосно да се испразни. Секогаш запирајте ја работата со алатот и заменете ја касетата за батеријата кога ќе забележите дека алатот дава помала моќност.
2. Никогаш немојте да пополните целосно полна касета за батерија. Прекумерното полнење го скратува работниот век на батеријата.
3. Пополнете ја касетата за батеријата на собна температура од 10°C - 40°C. Дозволете загреаната касета за батерија да се олади пред да ја ставите на полнење.
4. Пополнете ја касетата за батеријата доколку не ја користите подолго време (повеќе од шест месеци).

## Важни безбедносни упатства за безжичниот уред

1. Не расклопувајте го или не експериментирајте со безжичниот уред.
2. Држете го безжичниот уред подалеку од мали деца. Доколку случајно се проголта, веднаш побарајте медицинска помош.
3. Користете го безжичниот уред само со алати од Makita.
4. Не изложувајте го безжичниот уред на дожд или влажни услови.
5. Не користете го безжичниот уред на места каде што температурата надминува 50°C.
6. Не работете со безжичниот уред на места каде што во близина има медицински инструменти, како пејсмејкери.
7. Не работете со безжичниот уред на места каде што во близина има автоматски уреди. Доколку работат, автоматските уреди може да развијат дефект или грешка.
8. Безжичниот уред може да создаде електромагнетни полиња (ЕМП), но тие не се штетни за корисникот.
9. Безжичниот уред е прецизен инструмент. Внимавајте да не го испуштите или удриите безжичниот уред.
10. Избегнувајте допирање на терминалот на безжичниот уред со голи раце или метални материјали.
11. Секогаш отстранувајте ја батеријата на алатот кога го инсталирате безжичниот уред.

12. Кога го отворате капакот на отворот, избегнувајте го местото на кое во отворот може да влезат прав и вода. Секогаш одржувајте го чист влезниот отвор.
13. Секогаш вметнувајте го безжичниот уред во правилната насока.
14. Не притискајте го копчето за активирање на безжичниот уред премногу силно и/или притискајте го копчето со предмет со остар раб.
15. Кога работите, секогаш затворајте го капакот на отворот.
16. Не отстранувајте го безжичниот уред од отворот додека алатот се напојува. Тоа може да предизвика дефект на безжичниот уред.
17. Не отстранувајте ја лепенката на безжичниот уред.
18. Не ставајте лепенка на безжичниот уред.
19. Не оставајте го безжичниот уред на место каде што може да се создаде статички електрицитет или електрична бучава.
20. Не оставајте го безжичниот уред на места подложни на голема топлина, како автомобил што е на сонце.
21. Не оставајте го безжичниот уред на место исполнето со прашина или прав или на место каде што може да се создаде корозивен гас.
22. Ненадејната промена на температурата може да го навлажни безжичниот уред. Не користете го безжичниот уред додека влагата не се исуши целосно.
23. Кога го чистите безжичниот уред, нежно бришете го со сува, мека крпа. Не користете бензин, разредувач, спроводливо средство за подмачкување или слично.
24. Кога го складирате безжичниот уред, чувајте го во испорачаната кутија или сад без статика.
25. Не вметнувајте други уреди освен безжичниот уред на Makita во отворот на алатот.
26. Не користете го алатот со оштетен капак на отворот. Водата, правот и нечистотијата што влегуваат во отворот може да предизвикаат дефект.
27. Не влечете го и/или не виткајте го капакот на отворот повеќе отколку што е потребно. Вратете го капакот доколку се извади од алатот.
28. Заменете го капакот на отворот ако се изгуби или оштети.

## ЧУВАЈТЕ ГО УПАТСТВОТО.

## ОПИС НА ФУНКЦИЈЕ

**⚠ВНИМАНИЕ:** Пред секое нагодување или проверка на алатот, проверувајте дали е исклучен и батеријата е извадена.

## Монтирање или отстранување на касетата за батеријата

**⚠ВНИМАНИЕ:** Секогаш исклучувајте го алатот пред ставањето или вадењето на касетата за батеријата.

**⚠ВНИМАНИЕ:** Држете ги алатот и касетата за батеријата цврсто кога ја монтирате или вадите касетата за батеријата. Ако не ги држите цврсто алатот и касетата за батеријата, тие може да се лизнат од вашите раце и да дојде до нивно оштетување, како и до телесна повреда.

► **Сл.1:** 1. Црвен индикатор 2. Копче 3. Касета за батерија

За да ја извадите касетата за батеријата, повлечете ја од алатот додека го лизгате копчето на предната страна на касетата.

За вметнување на касетата за батеријата, порамнете го јазичето на касетата со жлебот во кукиштето и лизнете го во место. Вметнете ја до крај додека не се блокира во место при што ќе се слушне мало кликување. Ако можете да го видите црвениот индикатор на горната страна од копчето, тоа значи дека не е заклучена целосно во место.

**⚠ВНИМАНИЕ:** Секогаш монтирајте ја касетата за батеријата целосно додека црвениот индикатор не се изгасне. Во спротивно, може ненадејно да испадне од алатот предизвикувајќи ви повреда вам или на некој друг околу вас.

**⚠ВНИМАНИЕ:** Немојте да ја монтирате касетата за батеријата на сила. Ако касетата не може да се лизне лесно, тоа значи дека не е поставена правилно.

## Укажување на преостанатиот капацитет на батеријата

**Само за батерии со индикатор**

► **Сл.2:** 1. Индикаторски ламбички 2. Копче за проверка

Притиснете го копчето за проверка на касетата за батеријата за укажување на преостанатиот капацитет на батеријата. Индикаторските ламбички светнуваат неколку секунди.

Индикаторски ламбички			Преостанат капацитет
Запалено	Исклучено	Трепка	
			75% до 100%
			50% до 75%
			25% до 50%
			0% до 25%
			Наполнете ја батеријата.
			Батеријата можеби е неисправна.

**НАПОМЕНА:** Во зависност од условите на користење и амбиенталната температура, индикацијата може да се разликува во мала мера од реалниот капацитет.

## Укажување на преостанатиот капацитет на батеријата

### Конкретно за држава

Кога ќе го вклучите алатот, индикаторот за батерија го покажува преостанатиот капацитет на батеријата.

► **Сл.3: 1.** Индикатор за батерија

Преостанатиот капацитет на батеријата се прикажува во вид на следнава табела.

Статус на индикатор за батерија			Преостанат капацитет на батеријата
Вклучено	Исклучено	Трепка	
			од 50% до 100%
			од 20% до 50%
			од 0% до 20%
			Наполнете ја батеријата

## Систем за заштита на алатот/ батеријата

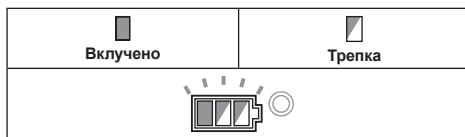
Алатот е опремен со систем за заштита на алатот/ батеријата. Овој систем автоматски го прекинува напојувањето на моторот за да го продолжи работниот век на алатот и на батеријата. Алатот автоматски ќе се исклучи за време на работењето ако тој или батеријата се најдат под еден од следниве услови:

### Заштита од преоптоварување

Кога со алатот се работи на начин што предизвикува повлекување прекумерно висока струја, тој автоматски се исклучува без никаква индикација. Во таква ситуација, исклучете го алатот и запрете со примената која предизвикала негово преоптоварување. Потоа, повторно вклучете го алатот.

### Заштита од прегревање

Кога алатот е прегреан, алатот се исклучува автоматски и индикаторот за батерија ја покажува следнава состојба. Во оваа ситуација, оставете алатот да се олади пред повторно да го вклучите.



Ако алатот не се вклучи, батеријата може да се прегрее. Во оваа ситуација, оставете ја батеријата да се олади пред повторно да го вклучите алатот.

### Заштита од прекумерно празнење

Кога капацитетот на батеријата нема да биде доволен, алатот автоматски се исклучува. Во овој случај, извадете ја батеријата од алатот и наполнете ја.

### Ослободување на заштитната блокада

Кога системот за заштита работи повторливо, алатот е блокиран и индикаторот за батеријата ја покажува следнава состојба.

Во оваа ситуација, алатот не стартува дури ни ако го исклучувате и вклучувате. За да ја ослободите заштитната блокада, извадете ја батеријата, поставете ја на полначот за батерии и почекајте додека не заврши полнењето.





## Блокада на оската

Притиснете ја блокадата на оската за да спречите вртење на вретеното кога ставате или вадите додатци.

► **Сл.4:** 1. Блокада на оската

**ЗАБЕЛЕШКА:** Не затегнувајте ја блокадата на оската кога вретеното се движи. Алатот може да се оштети.

## Вклучување

**⚠ВНИМАНИЕ:** Пред да ја монтирате батеријата во алатот, секогаш проверувајте дали функционира правилно клизниот прекинувач и дали се враќа во положбата „OFF“ кога ќе се притисне задниот дел од клизниот прекинувач.

**⚠ВНИМАНИЕ:** Прекинувачот може да биде блокиран во положбата „ON“ за поголема удобност за лицето што ракува со алатот при подолготрајна употреба. Бидете внимателни кога го блокирате алатот во положбата „ON“ и одржувајте стабилен зафат на алатот.

За да го стартувате алатот, лизнете го лизгачкиот прекинувач кон положбата „I (ON)“ (ВКЛУЧЕНО) со притискање на неговиот заден дел. За континуирано работење, притиснете го предниот дел од лизгачкиот прекинувач за да го блокирате.

За да го исклучите алатот, притиснете го задниот дел од лизгачкиот прекинувач, потоа лизнете го во положба „O (OFF)“.

► **Сл.5:** 1. Лизгачки прекинувач

## Бирач за нагодување на брзината

Брзината на ротација на алатот може да се нагоди со вртење на бирачот за нагодување на брзината. Табелата подолу ги прикажува бројот на бирачот и соодветната брзина на ротација.

► **Сл.6:** 1. Бирач за нагодување на брзината

Број	Брзина
1	3.000 мин. <sup>-1</sup>
2	4.500 мин. <sup>-1</sup>
3	6.000 мин. <sup>-1</sup>
4	7.500 мин. <sup>-1</sup>
5	8.500 мин. <sup>-1</sup>

**ЗАБЕЛЕШКА:** Ако со алатот се ракува континуирано при ниска брзина подолго време, моторот ќе се прегрее, што може да резултира со дефект на уредот.

**ЗАБЕЛЕШКА:** Кога ја менувате брзината на бирачот од „5“ на „1“, свртете го бирачот налево. Не вртете го бирачот надесно со сила.

## Функција за автоматско менување на брзината

► **Сл.7:** 1. Индикатор за режим

Статус на индикатор за режим	Работен режим
	Режим со голема брзина
	Режим на голем вртежен момент

Овој алат има „режим со голема брзина“ и „режим со голем вртежен момент“. Автоматски го менува работниот режим во зависност од работното оптоварување. Кога индикаторот за режим ќе се вклучи во текот на работењето, алатот е во режим на голем вртежен момент.

## Функција за спречување случајно рестартирање

Дури и со монтирана батерија во алатот и со клизниот прекинувач во положба „I (ON)“, алатот не се вклучува.

За да го вклучите алатот, прво излизгајте го страничниот прекинувач кон позицијата „O (OFF)“, а потоа излизгајте ја кон позицијата „I (ON)“.

## Електронска функција за регулирање сила на вртење

Алатот електронски открива ситуации каде тркалото или опремата се изложени на ризик да бидат ограничени. Во таа ситуација, алатот автоматски се исклучува за да спречи додатна ротација на вретеното (не спречува повратен удар).

За да го рестартирате алатот, прво исклучете го, отстранете ја причината за ненадејниот пад на брзината на ротација, а потоа вклучете го.

## Одлика за меко стартување

Одликата за меко стартување ја намалува почетната реакција.

## Електрична сопирачка

**Само за моделот DGA413/DGA414/DGA463/DGA464/DGA513/DGA514**

Електричната сопирачка се активира по исклучување на алатот.

Сопирачката нема да работи кога ќе се исклучи напојувањето, како при ненадејно отстранување на батеријата додека прекинувачот е вклучен.

## СОСТАВУВАЊЕ

**⚠ВНИМАНИЕ:** Пред секое нагодување или проверка на алатот, проверувајте дали е исклучен и батеријата е извадена.



## Местење на страничниот држач (рачка)

**▲ВНИМАНИЕ:** Секогаш проверувајте дали страничниот држач е наместен цврсто пред да работите.

Завртете го страничниот држач цврсто во положбата на алатот како што е прикажано на сликата.

► Сл.8

## Ставање или вадење на штитникот за тркалото (за тркало со вдлабнато средиште, повеќеделен диск, флекси-тркало, жичена четка/тркало за абразивно сечење, дијамантско тркало)

**▲ПРЕДУПРЕДУВАЊЕ:** Кога користите тркало со вдлабнато средиште, повеќеделен диск, флекси-тркало или тркало со жичена четка, штитникот за тркалото треба да се монтира на алатот, така што затворената страна на штитникот да биде свртена кон операторот.

**▲ПРЕДУПРЕДУВАЊЕ:** Кога користите тркало за абразивно сечење/дијамантско тркало, внимавајте да го користите само специјалниот штитник конструиран за тркалата за сечење.

(Во некои европски земји може да се користи и обичниот штитник при користење на дијамантските тркала. Почитувајте ги прописите во земјата.)

## За алат со штитник за тркалото со завртка

Монтирајте го штитникот за тркалото со испакнатините на лентата на штитникот за тркалото порамнета со жлебовите на кутијата на лежиштето. Потоа, свртете го штитникот на тркалото до агол што ќе го заштити операторот зависно од работата. Цврсто стегнете ја завртката.

За да го извадите штитникот, следете ја постапката за мерење по обратен редослед.

► Сл.9: 1. Штитник за тркало 2. Склоп со лагери 3. Завртка

## За алати со штитник за тркалото со рачка за стегање

Олабавете ја завртката и потоа, повлечете ја рачката во насока на стрелката. Монтирајте го штитникот за тркалото со испакнатините на лентата на штитникот за тркалото порамнета со жлебовите на кутијата на лежиштето. Потоа, свртете го штитникот на тркалото до агол што ќе го заштити операторот зависно од работата.

► Сл.10: 1. Штитник за тркало 2. Склоп со лагери 3. Завртка 4. Рачка

Повлечете ја рачката во насока на стрелката. Потоа, прицврстете го штитникот за тркалото стегнувајќи ја завртката. Цврсто стегнете ја завртката. Аголот на штитникот за тркалото може да се приспособи со помош на рачката.

► Сл.11: 1. Завртка 2. Рачка

За да го извадите штитникот, следете ја постапката за мерење по обратен редослед.

## Монтирање или вадење на тркало со вдлабнато средиште или повеќеделен диск

### Опционален прибор

**▲ПРЕДУПРЕДУВАЊЕ:** Кога користите тркало со вдлабнато средиште или повеќеделен диск, штитникот на тркалото треба да се монтира на алатот, така што затворената страна на штитникот да биде свртена кон операторот.

**▲ВНИМАНИЕ:** Уверете се дека делот од внатрешната фланша што се монтира совршено го собира во внатрешниот дијаметар на вдлабнатото средиште/повеќеделниот диск. Ако внатрешната фланша се монтира на погрешната страна, може да настанат опасни вибрации.

Монтирајте ја внатрешната фланша на вретеното. Поставете го вдлабнатиот дел од внатрешната фланша на рамниот дел на дното од вретеното. Наместете го вдлабнатото средиште/повеќеделниот диск на внатрешната фланша и завртете ја навртката на вретеното.

► Сл.12: 1. Навртка за стегање 2. Тркало со вдлабнато средиште 3. Внатрешна фланша 4. Дел за монтирање

За да ја затегнете навртката, притиснете ја цврсто блокадата на оската, така што вретеното нема да може да се врти, па со клучот за стегање затегнете ја надесно.

► Сл.13: 1. Клуч за стегање 2. Блокада на оската

За да го извадите тркалото, следете ја постапката за мерење по обратен редослед.

## Ставање и вадење флекси-тркало

### Опционален прибор

**▲ПРЕДУПРЕДУВАЊЕ:** Секогаш користете го испорачаниот штитник кога флекси-тркалото е поставено на алатот. Тркалото може да се распрсне за време на употребата, а штитникот помага во намалување на шансите за телесна повреда.

► Сл.14: 1. Навртка за стегање 2. Флекси-тркало 3. Подлошка 4. Внатрешна фланша

Следете ги упатствата за тркалото со вдлабнато средиште, но, исто така, користете подлошка врз тркалото. Редоследот на склопување можете да го видите на страницата за додаточите во ова упатство за употреба.

## Инсталирање или отстранување на абразивниот диск

### Опционален прибор

**НАПОМЕНА:** Користете додатоци за стругање назначени во ова упатство. Тие треба да се купат посебно.

### За модел од 100 мм

► **Сл.15:** 1. Навртка за шмирглање 2. Абразивен диск 3. Гумена подлошка 4. Внатрешна фланша

1. Монтирајте ја внатрешната фланша на вретеното.
2. Монтирајте ја гумената подлошка на вретеното.
3. Поставете го дискот на гумената подлошка и завртете ја навртката за блокирање на вретеното.
4. Држете го вретеното со блокадата на оската и убаво стегнете ја навртката за шмирглање надесно со клуч за навртки.

За да го извадите дискот, следете ја постапката за мesteње по обратен редослед.

### За модел од 115 мм/125 мм

► **Сл.16:** 1. Навртка за шмирглање 2. Абразивен диск 3. Гумена подлошка

1. Монтирајте ја гумената подлошка на вретеното.
2. Поставете го дискот на гумената подлошка и завртете ја навртката за блокирање на вретеното.
3. Држете го вретеното со блокадата на оската и убаво стегнете ја навртката за шмирглање надесно со клуч за навртки.

За да го извадите дискот, следете ја постапката за мesteње по обратен редослед.

## Поврзување вакуумска смукалка

### Опционален прибор

**▲ПРЕДУПРЕДУВАЊЕ:** Никогаш не смукајте метални честички што се создаваат при брусење/сечење/стругање. Металните честички што се создаваат од таквата работа се толку жешки што може да ги запалат правот и филтерот во внатрешноста на вакуумската правосмукалка.

За да се избегне средина со прав предизвикана од сечење ѕидарски материјали, користете штитник за тркало за собирање прав и вакуумска правосмукалка.

Погледнете го прирачникот со упатства прикачен на штитникот за тркало за собирање прав за негово склопување и користење.

► **Сл.17:** 1. Штитник за тркало за собирање прав 2. Црево на вакуумската правосмукалка

## РАБОТЕЊЕ

**▲ПРЕДУПРЕДУВАЊЕ:** Никогаш не би требало да се применува сила врз алатот. Тежината на алатот нанесува доволно притисок. Додавањето сила и прекумерен притисок може да предизвикаа опасно кршење на тркалото.

**▲ПРЕДУПРЕДУВАЊЕ:** СЕКОГАШ заменувајте го тркалото ако алатот ви падне при брусење.

**▲ПРЕДУПРЕДУВАЊЕ:** НИКОГАШ не удирајте ја плочата или тркалото за брусење на материјалот.

**▲ПРЕДУПРЕДУВАЊЕ:** Избегнувајте отскокнување и заглавување на тркалото, особено кога работите на агли, остри рабови и сл. Така може да изгубите контрола и да дојде до повратен удар.

**▲ПРЕДУПРЕДУВАЊЕ:** НЕ КОРИСТЕТЕ ГО алатот со сечила за дрворез и други пили за дрво. Таквите сечила, кога се користат со брусилка, често удираат и предизвикуваат губење контрола, што може да доведе до телесна повреда.

**▲ВНИМАНИЕ:** Никогаш не вклучувајте го алатот кога е во контакт со работниот материјал, во спротивно може да дојде до повреда на операторот.

**▲ВНИМАНИЕ:** Секогаш носете заштитни очила или маска за заштита на лицето при работата.

**▲ВНИМАНИЕ:** По работата, секогаш исклучувајте го алатот и почекајте додека тркалото не сопре сосема пред да го одложите алатот.

**▲ВНИМАНИЕ:** СЕКОГАШ држете го алатот цврсто со едната рака за кукиштето и со другата на страничниот држач (рачка).

## Брусење и шмирглање

► **Сл.18**

Вклучете го алатот и потоа, ставете ги тркалото или дискот во работниот материјал.

По принцип, одржувајте го работ од тркалото или дискот под агол од околу 15° во однос на површината на работниот материјал. За време на првичниот период на користење ново тркало, не работете со брусилката во насока напред бидејќи ќе засече во работниот материјал. Штом работ на тркалото ќе се заобли од употребата, со тркалото може да се работи во двете насоки, напред и назад.

## Работа со тркало за абразивно сечење/дијамантско тркало

### Опционален прибор

**▲ПРЕДУПРЕДУВАЊЕ:** Кога користите тркало за абразивно сечење/дијамантско тркало, внимавајте да го користите само специјалниот штитник конструиран за тркалата за сечење.

(Во некои европски земји може да се користи и обичниот штитник при користење на дијамантските тркала. Почитувајте ги прописите во земјата.)

**▲ПРЕДУПРЕДУВАЊЕ:** НИКОГАШ не користете го тркалото за сечење за странично брусене.

**▲ПРЕДУПРЕДУВАЊЕ:** Не заглавувајте го тркалото и не притискајте прекумерно. Не обидувајте се да сечете предлабоко. Пренапрегнувањето на тркалото го зголемува оптоварувањето и можноста за извиткување или лепење на тркалото во засекот и можноста за повратен удар, кршење на тркалото и прегревање на моторот.

**▲ПРЕДУПРЕДУВАЊЕ:** Не почнувајте со сечењето повторно додека тркалото е во материјалот. Оставете го тркалото да достигне максимална брзина и внимателно влезете во засекот, движејќи го алатот напред преку површината на материјалот. Тркалото може да осцилира, да излезе или да удри наназад ако алатот се стартува во материјалот.

**▲ПРЕДУПРЕДУВАЊЕ:** За време на сечењето, не менувајте го аголот на тркалото. Ако се притиска странично на тркалото за сечење (при брусене) може да дојде до пукање или кршење на тркалото, што може да предизвика тешки телесни повреди.

**▲ПРЕДУПРЕДУВАЊЕ:** Со дијамантското тркало треба да се работи вертикално врз материјалот за сечење.

- **Сл.19:** 1. Навртка за стегање 2. Тркало за абразивно сечење/дијамантско тркало 3. Внатрешна фланша 4. Штитник за тркало за абразивно сечење/дијамантско тркало

За монтирање, следете ги упатствата за тркало со вклопаното средиште.

**Насоката за монтирање на навртката и внатрешната фланша се разликува зависно од дебелината на тркалото.**

Погледнете ги следните цифри.

## За модел од 100 мм

Кога се монтира абразивното тркало за сечење:

- **Сл.20:** 1. Навртка за стегање 2. Абразивно тркало за сечење (потенко од 4 мм) 3. Абразивно тркало за сечење (од 4 мм или подебело) 4. Внатрешна фланша

Кога се монтира дијамантското тркало:

- **Сл.21:** 1. Навртка за стегање 2. Дијамантско тркало (потенко од 4 мм) 3. Дијамантско тркало (од 4 мм или подебело) 4. Внатрешна фланша

## За модел од 115 мм/125 мм

Кога се монтира абразивното тркало за сечење:

- **Сл.22:** 1. Навртка за стегање 2. Абразивно тркало за сечење (потенко од 4 мм) 3. Абразивно тркало за сечење (од 4 мм или подебело) 4. Внатрешна фланша

Кога се монтира дијамантското тркало:

- **Сл.23:** 1. Навртка за стегање 2. Дијамантско тркало (потенко од 4 мм) 3. Дијамантско тркало (од 4 мм или подебело) 4. Внатрешна фланша

## Операции со испакната жичена четка

### Опционален прибор

**▲ВНИМАНИЕ:** Проверете ја функционалноста на четката оставајќи го алатот да работи без оптоварување, осигурувајќи дека нема никој пред или во линија со четката.

**▲ВНИМАНИЕ:** Не користете ја четката ако е оштетена или ако е неурамнотежена. Користењето оштетена четка може да го зголеми потенцијалот за повреда од доаѓање во допир со скршени жици од четката.

- **Сл.24:** 1. Испакната жичена четка

Извадете ја батеријата од алатот и поставете го наопаку, овозможувајќи лесен пристап до вретеното. Извадете ги сите додатоци од вретеното. Монтирајте испакната жичена четка врз вретеното и стегнете ја со испорачаниот клуч.

**ЗАБЕЛЕШКА:** Избегнете преголем притисок при користење на четката, со што може да се извиткаат жиците. Со тоа може предвремено да се искршат.

## Операции со кружна жичена четка

### Опционален прибор

**▲ВНИМАНИЕ:** Проверете ја функционалноста на жичената четка оставајќи го алатот да работи без оптоварување, осигурувајќи дека нема никој пред или во линија со четката.

**▲ВНИМАНИЕ:** Не користете ја жичената четка ако е оштетена или ако е неурамнотежена. Користењето оштетена жичена четка може да го зголеми потенцијалот за повреда од доаѓање во допир со скршени жици од четката.

**▲ВНИМАНИЕ:** СЕКОГАШ користете штитник со жичените кружни четки, уверувајќи се дека дијаметарот на тркалото одговара на штитникот. Тркалото може да се распрсне за време на употребата, а штитникот помага во намалување на шансите за телесна повреда.

► **Сл.25:** 1. Кружна жичена четка

Извадете ја батеријата од алатот и поставете го наопаку, овозможувајќи лесен пристап до вретеното. Извадете ги сите додатоци од вретеното. Ставете ја кружната жичена четка врз вретеното и затегнете го клучевите.

**ЗАБЕЛЕШКА:** Избегнете преголем притисок при користење на четката, со што може да се извиткаат жиците. Со тоа може предвремено да се искршат.

## ФУНКЦИЈА ЗА АКТИВИРАЊЕ НА БЕЗЖИЧНИОТ УРЕД

Само за DGA412/DGA414/DGA462/DGA464/  
DGA512/DGA514

### Што може да направите со функцијата за активирање на безжичниот уред

Функцијата за активирање на безжичниот уред овозможува чисто и удобно работење. Со поврзување на поддржаната вакуумска правосмукалка, таа ќе работи автоматски заедно со менување на работата на алатот.

► **Сл.26**

За користење на функцијата за активирање на безжичниот уред, подгответе ги следниве ставки:

- безжичен уред
- вакуумска правосмукалка што ја поддржува функцијата за активирање на безжичниот уред

Прегледот на поставувањето на функцијата за активирање на безжичниот уред е следниот. Погледнете го секој дел за детални постапки.

1. Инсталирање на безжичниот уред
2. Регистрација на алатот за вакуумска правосмукалка
3. Стартување на функцијата за активирање на безжичниот уред

## Инсталирање на безжичниот уред

**▲ВНИМАНИЕ:** Поставете го алатот на рамна и стабилна површина кога го инсталирате безжичниот уред.

**ЗАБЕЛЕШКА:** Исчистете го правот и нечистотијата на алатот пред да го инсталирате безжичниот уред. Правот или нечистотијата може да предизвикаат дефект доколку дојдат во отворот на безжичниот уред.

**ЗАБЕЛЕШКА:** За спречување дефект предизвикан од статички електрицитет, допрете материјал за статичко празнење, како метален дел од алатот, пред да го подигнете безжичниот уред.

**ЗАБЕЛЕШКА:** Кога го инсталирате безжичниот уред, секогаш проверувајте дали тој се вметнува во правилна насока и дали капакот е целосно затворен.

1. Отворете го капакот на алатот како што е покажано на сликата.

► **Сл.27:** 1. Капак

2. Вметнете го безжичниот уред во отворот и потоа затворете го капакот.

Кога го инсталирате безжичниот уред, порамнете ги издадените делови со вдлабнатите делови на отворот.

► **Сл.28:** 1. Безжичен уред 2. Издаден дел 3. Капак 4. Вдлабнат дел

Кога го отстранувате безжичниот уред, полека отворајте го капакот. Куките на задниот дел од капакот ќе го подигнат безжичниот уред додека го повлекувате.

► **Сл.29:** 1. Безжичен уред 2. Кука 3. Капак

По отстранувањето на безжичниот уред, чувајте го во испорачаната кутија или сад без статика.

**ЗАБЕЛЕШКА:** Секогаш користете ги куките на задниот дел од капакот кога го отстранувате безжичниот уред. Доколку куките на го фатат безжичниот уред, целосно затворете го капакот и потоа повторно отворете го.

## Регистрација на алатот за вакуумска правосмукалка

**НАПОМЕНА:** За регистрација на алатот е потребна вакуумска правосмукалка на Makita што ја поддржува функцијата за активирање на безжичниот уред.

**НАПОМЕНА:** Завршете го инсталирањето на безжичниот уред на алатот пред да ја стартувате регистрацијата на алатот.

**НАПОМЕНА:** За време на регистрацијата на алатот не повлекувајте го прекинувачот за стартување или не вклучувајте го прекинувачот за напојување на вакуумската правосмукалка.

**НАПОМЕНА:** Исто така, погледнете го прирачникот со упатства на вакуумската правосмукалка.

Доколку сакате да ја активирате вакуумската правосмукалка заедно со менувањето на работата на алатот, претходно завршете ја регистрацијата на алатот.

1. Монтирајте ги батериите на вакуумската правосмукалка и алатот.
2. Поставете го прекинувачот за режим на подготвеност на вакуумската правосмукалка на „AUTO“.

► **Сл.30:** 1. Прекинувач за режим на подготвеност

3. Држете го копчето за активирање на безжичниот уред на вакуумската правосмукалка 3 секунди додека ламбичката за активирање на безжичниот уред не затрепка зелено. И потоа на ист начин притиснете го копчето за активирање на безжичниот уред на алатот.

► **Сл.31:** 1. Копче за активирање на безжичниот уред 2. Ламбичка за активирање на безжичниот уред

Доколку вакуумската правосмукалка и алатот се поврзат успешно, ламбичките за активирање на безжичниот уред ќе засветат зелено 2 секунди и ќе почнат да трепкаат сино.

**НАПОМЕНА:** Ламбичките за безжично активирање ќе престанат да трепкаат зелено по 20 секунди. Притиснете го копчето за безжично активирање на алатот додека трепка ламбичката за безжично активирање на правосмукалката. Доколку ламбичката за безжично активирање не трепка зелено, притиснете го кратко копчето за безжично активирање и повторно задржете го.

**НАПОМЕНА:** Кога изведувате една или повеќе регистрации на алатот за една вакуумска правосмукалка, завршете ја регистрацијата на алатот едно по едно.

## Стартување на функцијата за активирање на безжичниот уред

**НАПОМЕНА:** Завршете ја регистрацијата на алатот за вакуумската правосмукалка пред активирање на безжичниот уред.

**НАПОМЕНА:** Исто така, погледнете го прирачникот со упатства на вакуумската правосмукалка.

По регистрирање на алатот на вакуумската правосмукалка, таа ќе работи автоматски заедно со менувањето на работата на алатот.

1. Монтирајте го безжичниот уред на алатот.

2. Поврзете го цревето од вакуумската правосмукалка со алатот.

► **Сл.32**

3. Поставете го прекинувачот за режим на подготвеност на вакуумската правосмукалка на „AUTO“.

► **Сл.33:** 1. Прекинувач за режим на подготвеност

4. Кратко притиснете го копчето за активирање на безжичниот уред на алатот. Ламбичката за активирање на безжичниот уред ќе свети сино.

► **Сл.34:** 1. Копче за активирање на безжичниот уред 2. Ламбичка за активирање на безжичниот уред

5. Повлечете го прекинувачот за стартување на алатот. Проверете дали вакуумската правосмукалка работи додека е повлечен прекинувачот за стартување.

За запирање на активирањето на безжичниот уред на вакуумската правосмукалка, притиснете го копчето за активирање на безжичниот уред на алатот.

**НАПОМЕНА:** Ламбичката за активирање на безжичниот уред ќе престане да трепка сино кога нема работа 2 часа. Во овој случај, поставете го прекинувачот за режим на подготвеност на вакуумската правосмукалка на „AUTO“ и повторно притиснете го копчето за активирање на безжичниот уред на алатот.

**НАПОМЕНА:** Вакуумската правосмукалка стартува/запира со задоцнување. Постои временско задоцнување кога вакуумската правосмукалка открива менување на работата на алатот.

**НАПОМЕНА:** Далечината на пренос на безжичниот уред може да се разликува, зависно од условите на локацијата и околината.

**НАПОМЕНА:** Кога на вакуумската правосмукалка се регистрирани два или повеќе алати, таа може да почне да работи дури и ако не го повлечете прекинувачот за стартување бидејќи друг корисник ја користи функцијата за активирање на безжичниот уред.

## Опис на статусот на ламбичката за активирање на безжичниот уред

- **Сл.35:** 1. Ламбичка за активирање на безжичниот уред

Ламбичката за активирање на безжичниот уред го покажува статусот на функцијата за активирање на безжичниот уред. Погледнете ја табелата подолу за значењето на статусот на ламбичката.

Статус	Ламбичка за активирање на безжичниот уред			Времетраење	Опис
	Боја	<input type="checkbox"/> Вклучено	<input type="checkbox"/> Трепка		
Режим на готовност	Сино	<input checked="" type="checkbox"/>		2 часа	Активирањето на безжичниот уред на вакуумската правосмукалка е достапно. Ламбичката автоматски ќе се исклучи кога не се извршува работа 2 часа.
		<input type="checkbox"/>		Кога алатот работи.	Активирањето на безжичниот уред на вакуумската правосмукалка е достапно и алатот работи.
Регистрација на алатот	Зелено	<input checked="" type="checkbox"/>		20 секунди	Подготвено за регистрација на алатот. Се чека регистрација од вакуумската правосмукалка.
		<input type="checkbox"/>		2 секунди	Регистрацијата на алатот е завршена. Ламбичката за активирање на безжичниот уред ќе почне да свети сино.
Откажување на регистрацијата на алатот	Црвено	<input checked="" type="checkbox"/>		20 секунди	Подготвено за откажување на регистрацијата на алатот. Се чека откажување од вакуумската правосмукалка.
		<input type="checkbox"/>		2 секунди	Откажувањето на регистрацијата на алатот е завршено. Ламбичката за активирање на безжичниот уред ќе почне да свети сино.
Друго	Црвено	<input type="checkbox"/>		3 секунди	Безжичниот уред се напојува и се стартува функцијата за активирање на безжичниот уред.
	Исклучено	-		-	Активирањето на безжичниот уред на вакуумската правосмукалка е запрено.

### Откажување на регистрацијата за вакуумска правосмукалка

Извршете ја следнава постапка кога ја откажувате регистрацијата на алатот за вакуумска правосмукалка.

1. Монтирајте ги батериите на вакуумската правосмукалка и алатот.
  2. Поставете го прекинувачот за режим на подготвеност на вакуумската правосмукалка на „AUTO“.
- **Сл.36:** 1. Прекинувач за режим на подготвеност
3. Држете го копчето за активирање на безжичниот уред на вакуумската правосмукалка 6 секунди. Ламбичката за активирање на безжичниот уред трепка зелено, а потоа станува црвена. Потоа на ист начин притиснете го копчето за активирање на безжичниот уред на алатот.
- **Сл.37:** 1. Копче за активирање на безжичниот уред  
2. Ламбичка за активирање на безжичниот уред

Доколку откажувањето се изврши успешно, ламбичките за активирање на безжичниот уред ќе засветат црвено 2 секунди и ќе почнат да трепкаат сино.

**НАПОМЕНА:** Ламбичките за безжично активирање ќе престанат да трепкаат црвено по 20 секунди. Притиснете го копчето за безжично активирање на алатот додека трепка ламбичката за безжично активирање на правосмукалката. Доколку ламбичката за безжично активирање не трепка црвено, притиснете го кратко копчето за безжично активирање и повторно задржете го.

## Решавање проблеми на функцијата за активирање на безжичниот уред

Пред да нарачате поправка, прво сами проверете ја состојбата. Ако најдете проблем што не е објаснет во упатството, не обидувајте се да го расклопите алатот. Наместо тоа, побарајте помош од овластените сервисни центри на Makita и секогаш користете делови за замена и поправка од Makita.

Состојба на аномалии	Можна причина (дефект)	Поправка
Ламбичката за активирање на безжичниот уред не свети/трепка.	Безжичниот уред не е инсталиран во алатот. Безжичниот уред е неправилно инсталиран во алатот.	Инсталирајте го безжичниот уред правилно.
	Терминалот на безжичниот уред и/или отворот се валкани.	Нежно избришете ги нечистотијата и правот од безжичниот уред и исчистете го отворот.
	Копчето за активирање на безжичниот уред на алатот не е притиснато.	Кратко притиснете го копчето за активирање на безжичниот уред на алатот.
	Прекинувачот за режим на подготвеност на вакуумската правосмукалка не е поставен на „AUTO“.	Поставете го прекинувачот за режим на подготвеност на вакуумската правосмукалка на „AUTO“.
	Нема напојување	Напојувајте ги алатот и вакуумската правосмукалка.
Регистрацијата на алатот/откажувањето на регистрацијата на алатот не може да се заврши успешно.	Безжичниот уред не е инсталиран во алатот. Безжичниот уред е неправилно инсталиран во алатот.	Инсталирајте го безжичниот уред правилно.
	Терминалот на безжичниот уред и/или отворот се валкани.	Нежно избришете ги нечистотијата и правот од безжичниот уред и исчистете го отворот.
	Прекинувачот за режим на подготвеност на вакуумската правосмукалка не е поставен на „AUTO“.	Поставете го прекинувачот за режим на подготвеност на вакуумската правосмукалка на „AUTO“.
	Нема напојување	Напојувајте ги алатот и вакуумската правосмукалка.
	Неправилна работа	Кратко притиснете го копчето за активирање на безжичниот уред и повторно извршете ја постапката за регистрација/откажување на регистрацијата на алатот.
	Алатот и вакуумската правосмукалка се оддалечени еден од друг (надвор од опсегот за пренос).	Приближете ги алатот и вакуумската правосмукалка еден до друг. Максималната далечина на преносот е околу 10 м, сепак може да се разликува зависно од околностите.
	Пред завршување на регистрацијата/откажувањето на алатот; - прекинувачот за стартување на алатот е повлечен; - копчето за напојување на вакуумската правосмукалка е вклучено.	Кратко притиснете го копчето за активирање на безжичниот уред и повторно извршете ја постапката за регистрација/откажување на регистрацијата на алатот.
	Постапката за регистрација на алатот за алатот или вакуумската правосмукалка не е завршена.	Извршете ги постапките за регистрација на алатот истовремено за алатот и вакуумската правосмукалка.
Радиопречки од други уреди што создаваат радиобранови со висок интензитет.	Држете ги алатот и вакуумската правосмукалка подалеку од уредите како Wi-Fi-уреди и микробранови печки.	

Состојба на аномалии	Можна причина (дефект)	Поправка
Вакуумската правосмукалка не работи заедно со менувањето на работата на алатот.	Безжичниот уред не е инсталиран во алатот. Безжичниот уред е неправилно инсталиран во алатот.	Инсталирајте го безжичниот уред правилно.
	Терминалот на безжичниот уред и/или отворот се валкани.	Нежно избришете ги нечистотијата и правот од безжичниот уред и исчистете го отворот.
	Копчето за активирање на безжичниот уред на алатот не е притиснато.	Притиснете го кратко копчето за активирање на безжичниот уред и осигурете се дека ламбичката за активирање на безжичниот уред трепка сино.
	Прекинувачот за режим на подготвеност на вакуумската правосмукалка не е поставен на „AUTO“.	Поставете го прекинувачот за режим на подготвеност на вакуумската правосмукалка на „AUTO“.
	Повеќе од 10 алати се регистрирани на вакуумската правосмукалка.	Повторно извршете ја регистрацијата на алатот. Ако повеќе од 10 алати се регистрирани на вакуумската правосмукалка, алатот што е регистриран најрано ќе биде откажан автоматски.
	Вакуумската правосмукалка ги избриша сите регистрации на алатот.	Повторно извршете ја регистрацијата на алатот.
	Нема напојување	Напојувајте ги алатот и вакуумската правосмукалка.
	Алатот и вакуумската правосмукалка се оддалечени еден од друг (надвор од опсегот за пренос).	Приближете ги алатот и вакуумската правосмукалка еден до друг. Максималната далечина на преносот е околу 10 м, сепак може да се разликува зависно од околностите.
	Радиопречки од други уреди што создаваат радиобранови со висок интензитет.	Држете ги алатот и вакуумската правосмукалка подалеку од уредите како Wi-Fi-уреди и микробранови печки.
Вакуумската правосмукалка работи додека е не повлечен прекинувачот за стартување.	Други корисници го користат активирањето на безжичниот уред на вакуумската правосмукалка со нивните алати.	Исклучете го копчето за активирање на безжичниот уред на другите алати или откажете ја регистрацијата на алатот на другите алати.

## ОДРЖУВАЊЕ

**⚠ ВНИМАНИЕ:** Пред секоја проверка или одржување, секогаш проверувајте дали алатот е исклучен и касетата за батеријата е извадена.

**ЗАБЕЛЕШКА:** За чистење, не користете нафта, бензин, разредувач, алкохол или слично. Тие средства ја вадат бојата и може да предизвикаат деформации или пукнатини.

## Чистење на отворите за воздух

Алатот и отворите за воздух треба да се одржуваат чисти. Редовно чистете ги отворите за воздух на алатот или секогаш кога ќе се изваалкаат.

► **Сл.38:** 1. Отвор за испуштање воздух 2. Отвор за вшмукување воздух

Извадете го капакот за прав од отворот за вентилација и исчистете го за да се добие добра циркулација на воздухот.

► **Сл.39:** 1. Капак на резервоар за прав

**ЗАБЕЛЕШКА:** Работењето со затнат капак за прав може да го оштети алатот. Ако продолжите со работа со затнат капак за прав, може да се оштети алатот.



# ОПЦИОНАЛЕН ПРИБОР

**⚠ ВНИМАНИЕ:** Овој прибор или додатоци се препорачуваат за користење со алатот од Makita дефиниран во упатството. Со користење друг прибор или додатоци може да се изложите на ризик од телесни повреди. Користете ги приборот и додатоците само за нивната назначена намена.

Ако ви треба помош за повеќе детали за приборот, прашајте во локалниот сервисен центар на Makita.

- Оригинална батерија и полнач на Makita
- Безжичен уред (за модели со функцијата за активирање на безжичниот уред)

► Сл.40

-	Модел од 100 мм	Модел од 115 мм	Модел од 125 мм
1	Држач 36		
2	Штитник за тркало (за брусно тркало)		
3	Внатрешна фланша		
4	Тркало со вдлабната средина/повеќеделен диск		
5	Навртка за стегање		
6	Подлошка		
7	Флекси-тркало		
8	Внатрешна фланша и гумена подлога 76	Гумена подлошка 100	Гумена подлошка 115
9	Абразивен диск		
10	Навртка за шмирглање		
11	Кружна жичена четка		
12	Испакната жичена четка		
13	Штитник за тркало (за тркало за сечење) *1		
14	Тркало за абразивно сечење/дијамантско тркало		
15	Штитник за тркало за собирање прав		
-	Клуч за стегање		

**НАПОМЕНА:** \*1 При употребата на дијамантско тркало во некои европски земји, може да се користи обичен штитник наместо специјален кој ги покрива двете страни на тркалото. Почитувајте ги прописите во земјата.

**НАПОМЕНА:** Некои ставки на листата може да се вклучени со алатот како стандарден прибор. Тие може да се разликуваат од држава до држава.

## ТЕХНИЧКИ ПОДАЦИ

Модел:	DGA411	DGA412	DGA413	DGA414
Пречник плоче	100 мм (4")			
Макс. дебљина плоче	6,4 мм			
Навој вретена	M10			
Номинална брзина (н)	8.500 мин <sup>-1</sup>			
Укупна дужина	382 мм			
Номинални напон	DC 18 V			
Нето тежина	2,2 – 2,8 кг			
Електрична кочница	-		✓	
Функција бежичног активирања	-	✓	-	✓

Модел:	DGA461	DGA462	DGA463	DGA464
Пречник плоче	115 мм (4-1/2")			
Макс. дебљина плоче	7,2 мм			
Навој вретена	M14 или 5/8" (у зависности од земље)			
Номинална брзина (н)	8.500 мин <sup>-1</sup>			
Укупна дужина	382 мм			
Номинални напон	DC 18 V			
Нето тежина	2,3 – 3,0 кг			
Електрична кочница	-		✓	
Функција бежичног активирања	-	✓	-	✓

Модел:	DGA511	DGA512	DGA513	DGA514
Пречник плоче	125 мм (5")			
Макс. дебљина плоче	7,2 мм			
Навој вретена	M14 или 5/8" (у зависности од земље)			
Номинална брзина (н)	8.500 мин <sup>-1</sup>			
Укупна дужина	382 мм			
Номинални напон	DC 18 V			
Нето тежина	2,3 – 3,0 кг		2,4 – 3,0 кг	
Електрична кочница	-		✓	
Функција бежичног активирања	-	✓	-	✓

- На основу нашег непрестаног истраживања и развоја задржавамо право измена наведених техничких података без претходне најаве.
- Спецификације могу да се разликују у различитим земљама.
- Тежина може да се разликује у зависности од наставка, укључујући и уложак батерије. Најлакша и најтежа комбинација, према процедури ЕПТА 01/2014, приказане су у табели.

### Применљив уложак батерије

BL1815N / BL1820 / BL1820B / BL1830 / BL1830B / BL1840 / BL1840B / BL1850 / BL1850B / BL1860B

- Неки горенаведени улошци батерија можда неће бити доступни у зависности од места становања.

**▲УПОЗОРЕЊЕ:** Користите само горенаведене улошке батерије. Коришћење других уложака батерије може довести до повреде и/или пожара.

## Намена

Овај алат је намењен за брушење, полирање и резање метала и камена без употребе воде.

## Бука

Типичан А-пондерисани ниво буке одређен је према стандарду EN60745:

Модел	Ниво звучног притиска ( $L_{pA}$ ): (dB (A))	Ниво звучне снаге ( $L_{WA}$ ): (dB (A))	Несигурност (K): (dB (A))
DGA411	80	-	3
DGA412	80	-	3
DGA413	80	-	3
DGA414	80	-	3
DGA461	79	-	3
DGA462	79	-	3
DGA463	79	-	3
DGA464	79	-	3
DGA511	79	-	3
DGA512	79	-	3
DGA513	79	-	3
DGA514	79	-	3

Ниво буке током рада може да премаши 80 dB (A).

**▲УПОЗОРЕЊЕ:** Носите заштитне слушалице.

## Вибрације

Укупна вредност вибрација (векторски збир по три осе) одређена је према стандарду EN60745:

**Режим рада:** брушење површине помоћу стандардног бочног рукохвата (дршке)

Модел	Вредност емисије вибрација ( $a_{H,AG}$ ): ( $m/c^2$ )	Несигурност (K): ( $m/c^2$ )
DGA411	4,5	1,5
DGA412	4,5	1,5
DGA413	4,5	1,5
DGA414	4,5	1,5
DGA461	6,5	1,5
DGA462	6,5	1,5
DGA463	6,5	1,5
DGA464	6,5	1,5
DGA511	6,5	1,5
DGA512	6,5	1,5
DGA513	6,5	1,5
DGA514	6,5	1,5

**Режим рада: брушење површине помоћу антивибрационог бочног рукохвата (дршке)**

Модел	Вредност емисије вибрација ( $a_{h,AG}$ ) : ( $m/c^2$ )	Несигурност (К): ( $m/c^2$ )
DGA411	4,0	1,5
DGA412	4,0	1,5
DGA413	4,0	1,5
DGA414	4,0	1,5
DGA461	6,0	1,5
DGA462	6,0	1,5
DGA463	6,0	1,5
DGA464	6,0	1,5
DGA511	6,0	1,5
DGA512	6,0	1,5
DGA513	6,0	1,5
DGA514	6,0	1,5

**Режим рада: брушење диском помоћу стандардног бочног рукохвата**

Модел	Вредност емисије вибрација ( $a_{h,DS}$ ) : ( $m/c^2$ )	Несигурност (К): ( $m/c^2$ )
DGA411	2,5 $m/c^2$ или мања	1,5
DGA412	2,5 $m/c^2$ или мања	1,5
DGA413	2,5 $m/c^2$ или мања	1,5
DGA414	2,5 $m/c^2$ или мања	1,5
DGA461	2,5 $m/c^2$ или мања	1,5
DGA462	2,5 $m/c^2$ или мања	1,5
DGA463	2,5 $m/c^2$ или мања	1,5
DGA464	2,5 $m/c^2$ или мања	1,5
DGA511	2,5 $m/c^2$ или мања	1,5
DGA512	2,5 $m/c^2$ или мања	1,5
DGA513	2,5 $m/c^2$ или мања	1,5
DGA514	2,5 $m/c^2$ или мања	1,5

**Режим рада: брушење диском помоћу антивибрационог бочног рукохвата**

Модел	Вредност емисије вибрација ( $a_{h,DS}$ ) : ( $m/c^2$ )	Несигурност (К): ( $m/c^2$ )
DGA411	2,5 $m/c^2$ или мања	1,5
DGA412	2,5 $m/c^2$ или мања	1,5
DGA413	2,5 $m/c^2$ или мања	1,5
DGA414	2,5 $m/c^2$ или мања	1,5
DGA461	2,5 $m/c^2$ или мања	1,5
DGA462	2,5 $m/c^2$ или мања	1,5
DGA463	2,5 $m/c^2$ или мања	1,5
DGA464	2,5 $m/c^2$ или мања	1,5
DGA511	2,5 $m/c^2$ или мања	1,5
DGA512	2,5 $m/c^2$ или мања	1,5
DGA513	2,5 $m/c^2$ или мања	1,5
DGA514	2,5 $m/c^2$ или мања	1,5

**НАПОМЕНА:** Декларисана вредност емисије вибрација је измерена према стандардизованом мерном поступку и може се користити за упоређивање алата.

**НАПОМЕНА:** Декларисана вредност емисије вибрација се такође може користити за прелиминарну процену изложености.

**▲УПОЗОРЕЊЕ:** Вредност емисије вибрација током стварне примене електричног алата може се разликовати од декларисане вредности емисије вибрација, што зависи од начина на који се користи алат.

**▲УПОЗОРЕЊЕ:** Уверите се да сте идентификовали безбедносне мере за заштиту руковаоца које су засноване на процени изложености у стварним условима употребе (узимајући у обзир све делове радног циклуса, као што је време рада уређаја, али и време када је алат искључен и када ради у празном ходу).

**▲УПОЗОРЕЊЕ:** Декларисана вредност емисије вибрација важи за главне примене електричног алата. Међутим, ако се електрични алат користи за друге примене, вредност емисије вибрација се може разликовати.

## ЕЗ декларација о усаглашености

*Само за европске земље*

ЕЗ декларација о усаглашености део је Додатка А у овом приручнику са упутствима.

## БЕЗБЕДНОСНА УПОЗОРЕЊА

### Општа безбедносна упозорења за електричне алате

**▲УПОЗОРЕЊЕ:** Прочитајте сва безбедносна упозорења, упутства, илустрације и спецификације које су испоручене уз овај електрични алат. Непоштовање свих доле наведених безбедносних упутстава може изазвати електрични удар, пожар и/или озбиљну повреду.

### Сачувајте сва упозорења и упутства за будуће потребе.

Термин „електрични алат“ у упозорењима односи се на електрични алат који се напаја из електричне мреже (каблом) или батерије (без кабла).

### Безбедносна упозорења за бежичну брусилу

Безбедносна упозорења која се односе на брушење, полирање, четкање жичаном четком или абразивно одсецање:

1. Овај електрични алат је предвиђен да функционише као алат за брушење, глачање, четкање и одсецање. Прочитајте сва безбедносна упозорења, упутства, илустрације и спецификације које су испоручене уз овај електрични алат. Непоштовање свих доле наведених безбедносних упутстава може изазвати електрични удар, пожар и/или озбиљну повреду.
2. Овај електрични алат се не препоручује за обављање радова као што је полирање. Обављање радова за које електрични алат није намењен може изазвати опасности и телесне повреде.

3. Не користите прибор који није специјално пројектован и препоручен од стране произвођача алата. Ако неки прибор може да се прикључи на ваш електрични алат, то не значи да осигурава безбедан рад.
4. Номинална брзина прибора мора да буде најмање једнака максималној брзини означеној на електричном алату. Прибори који се крећу брже од њихове номиналне брзине могу да се поломе и разлете у комадићима.
5. Спољни пречник и дебљина прибора морају да одговарају номиналном капацитету вашег електричног алата. Додатни прибори неправилне величине не могу се адекватно заштитити или контролисати.
6. Монтирање прибора са навојем мора да се поклапа са навојем вретена брусилуце. За прибор монтиран помоћу прирубница, прикључни отвор додатног прибора мора да одговара пречнику површине прирубнице. Додатни прибор који не одговара монтажном делу електричног алата биће избачен из равнотеже, јако ће вибрирати и може да доведе до губитка контроле.
7. Не користите оштећени додатни прибор. Пре сваке употребе преконтролишите додатни прибор, на пример, брусне плоче на листање и напрслине, подметаче на напрслине, хабање или претерано трошење, жичану четку на лабаве или напрсле чекиње. Ако електрични алат или прибор падну, проверите да ли су оштећени или инсталирајте неоштећени прибор. Пошто преконтролишите и инсталирате прибор, присутни посматрачи и ви сами треба да се склоните од равни ротирајућег прибора, а електрични алат прво пустите да ради са максималном брзином празног хода око један минут. Оштећени прибор би се обично поломио током овог времена тестирања.
8. Носите заштитну опрему. У зависности од примене, користите штитник за лице, заштитну маску или заштитне наочаре. Ако је потребно, носите маску за заштиту од прашине, штитнике за слух, рукавице и радну кецељу која може да заустави мале абразивне честице или делиће предмета обраде. Заштита за очи мора да буде у стању да заустави летеће опилке који се стварају при разним операцијама. Маска за праšину или респиратор морају да буду у стању да филтрирају честице које се стварају док радите. Дуже излагање високом нивоу буке може довести до губитка слуха.

9. **Удаљите посматраче на безбедну удаљеност од радног подручја. Свако ко улази у радно подручје мора да носи личну заштитну опрему.** Делићи предмета обраде или поломљеног прибора могу се одбацити и изазвати повреду и изван непосредног радног подручја.
10. **Електрични алат држите искључиво за изоловане рукохвате када обављате радове при којима постоји могућност да резни алат додирне скривене водове.** Контакт са каблом под напоном ставља под напон и изложене металне делове електричног алата и излаже руковаоца електричном удару.
11. **Никад не одлажите електрични алат док се прибор потпуно не заустави.** Ротирајући прибор може да се укопа у површину и избаци електрични алат из ваше контроле.
12. **Немојте да укључујете електрични алат док га носите поред тела.** Случајан додир са ротирајућим прибором може да захвати вашу одећу и повуче прибор према вашем телу.
13. **Редовно чистите вентилационе отворе електричног алата.** Мотор-вентилатор ће увлачити прашину у кућиште, а превелико нагомилана метална прашина може изазвати електричне опасности.
14. **Не укључујте електрични алат близу запаљивих материјала.** Варнице би могле да упале такве материјале.
15. **Немојте да користите прибор за који је потребна расхладна течност.** Употреба воде или других расхладних течности може довести до електричног удара.

#### **Повратни удар и повезана упозорења**

Повратни удар представља изненадну реакцију која се јавља када се ротирајућа плоча, подметач, четка или други прибор укљеште или укопају. Укљештење или укопавање изазива брзо блокирање ротирајућег прибора који са своје стране доводи до принудног неконтролисаног кретања алата у смеру супротном од смера ротације прибора у тренутку укљештења. На пример, ако се брусна плоча укопа или укљешти у предмет обраде, ивица плоче која улази у тачку укљештења може да зарони у површину материјала изазивајући извлачење или одскакање плоче. Плоча може да одскочи или ка руковаоцу или од њега, што зависи од смера кретања плоче у тренутку укљештења. Под таквим условима, може доћи до лома брусних плоча.

Повратни удар је резултат неправилног коришћења електричног алата и/или неправилних радних поступака или услова и може се избегнути предузимањем одговарајућих мера опреза које су наведене у наставку.

1. **Чврсто држите алат, а тело и руку поставите тако да може издржати силе повратног удара. Увек користите помоћну дршку, ако постоји, ради максималне контроле над повратним ударом или реакције на обртни момент при покретању.** Руковалац може да контролише силе реакције на обртни момент или силе повратног удара ако предузме одговарајуће мере опреза.

2. **Никада не стављајте руку близу ротирајућег прибора.** Прибор може да направи повратни удар преко ваше руке.
3. **Не заузимајте положај у подручју кретања електричног алата у случају повратног удара.** Повратни удар ће принудити алат да се креће у смеру који је супротан од смера кретања плоче у тренутку укљештења.
4. **Будите нарочито пажљиви када обрађујете углове, оштре ивице итд. Избегавајте одскакање и укопавање прибора.** Углови, оштре ивице или одскакање имају тенденцију укопавања ротирајућег прибора и могу да изазову губљење контроле или повратни удар.
5. **Немојте прикључивати лист тестере за резање дрвета или других материјала.** Такве тестере често стварају повратни удар и доводе до губитка контроле.

#### **Безбедносна упозорења за операције брушења и абразивног одсецања:**

1. **Користите само оне типове плоча који се препоручују за ваш електрични алат и специјалне штитнике за изабрану плочу.** Плоче за које електрични алат није дизајниран не могу се адекватно заштитити и нису безбедне.
2. **Брусна површина коленастих брусних плоча мора да буде монтирана испод равни ивице штитника.** Неисправно монтирана плоча која прелази преко равни ивице штитника не може да буде адекватно заштићена.
3. **Штитник мора да буде чврсто причвршћен на електрични алат и постављен тако да обезбеди максималну безбедност, што значи да ће плоча бити минимално изложена на страни руковаоца.** Штитник помаже да се руковалац заштити од делића поломљене плоче, случајног додиривања плоче или варијанца што може упалити одећу.
4. **Плоче морају да се користе искључиво за предвиђену намену. На пример: немојте да брусите бочном страном диска за одсецање.** Брусне плоче за одсецање намењене су за периферно брушење пошто бочна сила примењена на ове плоче може да изазове њихово пуцање.
5. **За изабрану плочу увек користите неоштећене прирубнице за плоче, одговарајуће величине и облика.** Правилно изабране прирубнице за плоче подржавају плоче и смањују могућност да се распадну. Прирубнице за дискове за одсецање могу се разликовати од прирубница за брусне плоче.
6. **Не користите истрошене плоче са већих електричних алата.** Плоча која је намењена за већи алат није подесна за веће брзине мањег алата и може се распрснути.

#### **Додатна безбедносна упозорења за операције абразивног одсецања:**

1. **Не „ометајте“ диск за одсецање и не примењујте превелики притисак. Не покушавајте да направите превише дубоки рез.** Пренапрезање плоче повећава оптерећење и склоност ка увртању и блокирању плоче у резу и могућности повратног удара или помљења плоче.

2. **Не заузимајте положај у линији са или иза ротирајуће плоче.** Када се у току рада плоча креће супротно од вашег тела, могући повратни удар може принудно усмерити ротирајућу плочу и електрични алат ка вама.
3. **Када се плоча блокира или ако се резање из неког разлога прекине, искључите алат и не померајте га док се плоча потпуно не заустави.** Никада не покушавајте да уклоните диск за одсецање из реза док се плоча врти, јер то може изазвати повратни удар. Проверите и предузмите корективне мере да бисте елиминисали разлог блокирања плоче.
4. **Не започињите поново резање у предмету обраде.** Пустите да плоча достигне пуну брзину и пажљиво поново уведите алат у рез. Плоча може да се блокира, издиге или прави повратни удар у случају да се струја укључи док се плоча налази у резу.
5. **Подуприте плоче или било који предимензионирани предмет обраде да бисте опасност од уклештења и повратног удара свели на минимум.** Велики предмети обраде имају тенденцију да се улежу под сопственом тежином. Средства за осигурање се морају поставити испод предмета обраде, у близини линије резања и у близини ивице предмета обраде, са обе стране плоче.
6. **Будите посебно пажљиви када сечете „цепове“ у постојећим зидовима или на другим непрегледним местима.** Плоча може исећи цевоводе за глин или воду, електричне каблове или предмете који могу изазвати повратни удар.

#### **Безбедносна упозорења за операције полирања брусним папиром:**

1. **Не користите предимензионисани брусни папир.** Придржавајте се препорука произвођача при избору брусног папира. Већи брусни папир који штрчи изван брусне плоче, представља опасност од цепања и може изазвати уковавање и кидање плоче или повратни удар.

#### **Безбедносна упозорења за операције са жичаном четком:**

1. **Имајте на уму да чекиње четке отпадају и приликом нормалног четкања.** Немојте да пренапрежете чекиње примењујући превелико оптерећење на четку. Жичане чекиње могу лако да продру у танку одећу и/или кожу.
2. **Ако користите штитник који је препоручен за рад са жичаном четком, пазите да штитник не омета жичани диск или четку.** Жичани диск или четка могу да повећају свој пречник због рада и центрифугалних сила.

#### **Додатна безбедносна упозорења:**

1. **Као коленасте брусне плоче увек употребљавајте само плоче појачане стакленим влакнима.**

2. **НИКАД НЕ КОРИСТИТЕ** камена тоцила за рад ове бруснице. Ова брусница није пројектована за ову врсту плоча јер може доћи до тешких телесних повреда.
3. **Немојте да оштеђујете вретено, прирубницу (посебно монтажну површину) или сигурносне навртње.** Оштећење тих делова може да проузрокује распадање брусне плоче.
4. **Уверите се да плоча није у додиру са предметом обраде пре него што укључите прекидач.**
5. **Пре примене алата на стварном предмету обраде, пустите га да ради извесно време.** Водите рачуна о вибрацијама или подрхтавању који су знак неправилне монтаже или неуравнотежене плоче.
6. **За брушење употребљавајте прописану површину плоче.**
7. **Немојте да остављате укључен алат.** Алат укључите само када га држите рукама.
8. **Предмет обраде не додирујте одмах после завршеног брушења,** јер може да буде врло врућ и можете да се опечете.
9. **Водите рачуна о упутству произвођача у вези са правилном монтажом и употребом брусних плоча.** Плочама рукујте опрезно и опрезно их складиштите.
10. **За прилагођавање брусних плоча са већим отвором не употребљавајте посебне редуковане спојнице или адаптере.**
11. **Користите само прирубнице које су спецификацијом предвиђене за овај алат.**
12. **Код алата са навојним отвором плоче побрините се да дужина навоја на плочи одговара за прихватање дужине вретена.**
13. **Проверите да ли је предмет обраде правилно подупрт.**
14. **Водите рачуна о томе да се плоча окреће још извесно време после искључивања алата.**
15. **Ако је радно место веома вруће, влажно или пуно прашине која проводи електрицитет, прикључите апарат помоћу склопке за заштиту од кратког споја (30 mA) ради заштите руковаоца.**
16. **Алат не употребљавајте за обраду материјала који садрже азбест.**
17. **Када користите диск за одсецање, увек радите са штитником плоче за сакупљање прашине, што је предвиђено локалним прописима.**
18. **Резне плоче не смеју да буду изложене било каквом бочном притиску.**
19. **Немојте да користите платнене рукавице током рада.** Влакна са платнених рукавица могу да доспеју у алат, што може да доведе до квара на алату.

**САЧУВАЈТЕ ОВО УПУТСТВО.**

**▲УПОЗОРЕЊЕ:** НЕМОЈТЕ себи да дозволите да занемарите строга безбедносна правила која се односе на овај производ услед чињенице да сте производ добро упознали и стекли рутину у руковању њиме (услед честог коришћења). НЕНАМЕНСКА УПОТРЕБА или непоштовање безбедносних правила наведених у овом упутству могу довести до тешких телесних повреда.

## Важна безбедносна упутства која се односе на уложак батерије

- Пре употребе уложка батерије, прочитајте сва упутства и безбедносне ознаке на (1) пуњачу батерије, (2) батерији и (3) производу који користи батерију.
- Немојте да расклапате уложак батерије.
- Ако се време рада знатно скратило, одмах престаните са коришћењем. То може да доведе до ризика од прегревања, могућих опекотина, па чак и експлозије.
- Ако електролит доспе у очи, исперите их чистом водом и одмах затражите помоћ лекара. То може да доведе до губитка вида.
- Немојте да изазивате кратак спој уложка батерије:
  - Немојте додиривати прикључке било којим проводним материјалом.
  - Избегавајте складиштење уложка батерије у кутији са другим металним предметима као што ексери, новчићи итд.
  - Немојте да излажете уложак батерије води или киши.Кратак спој батерије може да доведе до великог протока струје, прегревања, могућих опекотина, па чак и прегоривања.
- Немојте да складиштите алат и уложак батерије на местима где температура може да достигне или премаши 50°C (122°F).
- Немојте да палите уложак батерије чак ни када је озбиљно оштећен или потпуно похабан. Уложак батерије може да експлодира у ватри.
- Пазите да не испустите и не ударите батерију.
- Немојте да користите оштећену батерију.
- Садржане литијум-јонске батерије подлежу Закону о превозу опасних материја. Приликом комерцијалног превоза, нпр. од стране трећих лица и превозника, мора се обратити посебна пажња на специјалне захтеве паковања и обележавања. Приликом припреме материјала за превоз, потребно је саветовати се са стручњаком за опасне материје. Такође обратите пажњу на евентуалне даље националне прописе. Омотајте траком или прекријте отворене контакте и запакујте батерију тако да се не може померати унутар паковања.
- Придржавајте се локалних прописа у вези са одлагањем батерије.

- Батерије користите само са производима које је навела компанија Makita. Постављање батерије на производе који нису усаглашени може да доведе до пожара, прекомерне топлоте, експлозије или цурења електролита.

## САЧУВАЈТЕ ОВО УПУТСТВО.

**▲ПАЖЊА:** Користите само оригиналне Makita батерије. Коришћење Makita батерија које нису оригиналне или батерија које су измењене може да доведе до пуцања батерије, које може да изазове пожар, телесне повреде или штету. То ће такође поништити гаранцију компаније Makita за Makita алат и пуњач.

## Савети за максимално трајање батерије

- Напуните уложак батерије пре него што се потпуно испразни. Сваки пут прекините рад са алатом и напуните уложак батерије када приметите да је снага алата слабија.
- Никада немојте да поново пуните потпуно напуњени уложак батерије. Препуњавање скраћује радни век батерије.
- Пуните уложак батерије на собној температури између 10°C и 40°C (између 50°F и 104°F). Сачекајте да се врући уложак батерије охлади пре пуњења.
- Напуните уложак батерије ако га нећете користити дуже време (више од шест месеци).

## Важна безбедносна упутства која се односе на бежичну јединицу

- Не растављајте и не модификујте бежичну јединицу.
- Држите бежичну јединицу даље од мале деце. Ако дође до случајног гутања јединице, одмах затражите лекарску помоћ.
- Бежичну јединицу користите искључиво у комбинацији са Makita алатом.
- Не излажите бежичну јединицу киши или влази.
- Не користите бежичну јединицу на местима на којим температура премашује 50 °C.
- Не користите бежичну јединицу у близини медицинских инструмената, попут пејсмејкера.
- Не користите бежичну јединицу у близини аутоматизованих уређаја. У супротном може да дође до квара или грешке аутоматизованог уређаја.
- Бежична јединица може да производи електромагнетна поља која нису штетна по корисника.
- Бежична јединица је прецизни инструмент. Пазите да не испустите или не ударите бежичну јединицу.
- Не додирујте контакте бежичне јединице голим рукама или металним предметима.
- Обавезно извадите батерију из алата пре постављања бежичне јединице.



12. Немојте отварати поклопац отвора на местима на којима прашина и вода могу да доспеју у отвор. Увек одржавајте улаз отвора чистим.
13. Увек пазите да бежична јединица при уметању буде правилно окренута.
14. Не притискајте дугме за бежично активирање на бежичној јединици прејак о / или предметом са оштром ивицом.
15. Обавезно вратите поклопац отвора пре почетка рада.
16. Не вадите бежичну јединицу из отвора док је алат под напоном. У супротном, може да дође до квара бежичне јединице.
17. Не скидајте налепницу са бежичне јединице.
18. Не стављајте налепнице на бежичну јединицу.
19. Не остављајте бежичну јединицу на местима на којима могу да се јаве статички електрицитет или електрични шум.
20. Не остављајте бежичну јединицу на месту изложеном великој топлоти, на пример у аутомобилу који стоји на сунцу.
21. Не остављајте бежичну јединицу на прашњавим местима или местима на којима може да се створи нагрizaјући гас.
22. Нагле промене температуре могу да изазову стварање росе на бежичној јединици. Не користите бежичну јединицу док роса потпуно не испари.
23. Бежична јединица се чисти пажљивим брисањем сувом, меком крпом. Не користите апотекарски бензин, разређивач, проводну маст и слична средства.
24. Бежична јединица се чува у добијеној кутији или амбалажи отпорној на статички електрицитет.
25. У отвор на алату не стављајте друге уређаје сем Makita бежичне јединице.
26. Не користите алат ако је поклопац отвора оштећен. Вода, прашина и прљавштина који уђу у отвор могу да изазову квар.
27. Не вуците и/или упредајте поклопац отвора више него што је неопходно. Вратите поклопац на алат ако спадне.
28. Замените поклопац отвора ако се изгуби или оштети.

## САЧУВАЈТЕ ОВО УПУТСТВО.

## ОПИС НАЧИНА ФУНКЦИОНИСАЊА

**ПАЖИЊА:** Пре подешавања или провере функција алата увек проверите да ли је алат искључен и да ли је уложак батерије уклоњен.

### Постављање и уклањање уложка батерије

**ПАЖИЊА:** Увек искључите алат пре постављања или уклањања уложка батерије.

**ПАЖИЊА:** Држите чврсто алат и уложак батерије када постављате или уклањате уложак батерије. Ако алат и уложак батерије не будете држали чврсто, могу вам исклизнути из руку, оштетити се при паду и повредити вас.

► **Слика1:** 1. Црвени индикатор 2. Дугме 3. Уложак батерије

Да бисте уклонили уложак батерије, клизањем га извуците из алата док клизањем померате дугме на предњој страни уложка.

Да бисте поставили уложак батерије, поравнајте језичак на њему са жлебом на кућишту и гурните га на место. Гурните га до краја тако да легне на своје место и чује се тихо шкљоцање. Ако можете да уочите црвени индикатор на горњој страни дугмета, то значи да уложак батерије није потпуно закључан.

**ПАЖИЊА:** Увек до краја гурните уложак батерије тако да се црвени индикатор не види. У супротном, он случајно може испати из алата и повредити вас или неку особу у вашој близини.

**ПАЖИЊА:** Немојте на силу да постављате уложак батерије. Ако уложак не можете лако да гурнете, то значи да га не постављате исправно.










### Приказ преосталог капацитета батерије

**Само за уложке батерије са индикатором**

► **Слика2:** 1. Индикаторске лампице 2. Дугме за проверу

Притисните дугме за проверу на уложку батерије да бисте приказали преостали капацитет батерије. Индикаторске лампице ће се укључити на неколико секунди.

Индикаторске лампице			Преостали капацитет
 Светли	 Искључено	 Трепће	
			Од 75% до 100%
			Од 50% до 75%
			Од 25% до 50%
			Од 0% до 25%
			Напуните батерију.

Индикаторске лампице			Преостали капацитет
Светли	Искључено	Трепће	
			Моруће је да је батерија постала неисправна.
			
			

**НАПОМЕНА:** У зависности од услова коришћења и температуре околине, приказани капацитет може донекле да се разликује од стварног.













## Приказ преосталог капацитета батерије

### У зависности од земље

Када укључите алат, индикатор батерије показује преостали капацитет батерије.

► **Слика3:** 1. Индикатор батерије

Преостали капацитет батерије приказује се према следећој табели.

Статус индикатора батерије			Преостали капацитет батерије
Укључено	Искључено	Трепће	
			Од 50% до 100%
			
			Од 20% до 50%
			Од 0% до 20%
			Напуните батерију

## Систем за заштиту алата/батерије




Алат је опремљен системом за заштиту алата/батерије. Овај систем аутоматски прекида напajaње мотора како би продужио век трајања алата и батерије. Алат ће се аутоматски зауставити током рада ако алат или батерија уђу у једно од следећих стања:

### Заштита од преоптерећења

Када се алатом рукује тако да он вуче превелику струју, алат ће аутоматски престати са радом без упозорења. У овој ситуацији, искључите алат и престаните са употребом која је довела до преоптерећења алата. Затим укључите алат да бисте га поново покренули.

### Заштита од прегревања

Када се алат прегреје, он аутоматски престаје са радом и индикатор батерије показује следеће стање. У овој ситуацији, пустите да се алат охлади пре него што га поново укључите.

Укључено	Трепће
	
	

Ако се алат не покрене, батерија је можда прегрејана. У овом случају, пустите да се батерија охлади пре поновног покретања алата.

## Заштита од превеликог пражњења

Када капацитет батерије није довољан, алат аутоматски престаје с радом. У том случају, уклоните батерију из алата и напуните је.

## Ослобађање заштитне браве

Када се систем за заштиту активира узастопно, алат се закључава, а индикатор батерије приказује следеће стање.

У овој ситуацији, алат се не покрене чак ни када га искључите и поново укључите. Да бисте ослободили заштитну браву, уклоните батерију, убаците је у пуњач батерије и сачекајте да се пуњење заврши.

Укључено	Искључено	Трепће
		
		

## Брава осовине

Притисните тастер за браву осовине да се осовина не би обртала када постављате или скидате додатну опрему.

► **Слика4:** 1. Брава осовине

**ОБАВЕШТЕЊЕ:** Немојте да активирате браву осовине када се осовина окреће. Може доћи до оштећења алата.

## Функционисање прекидача

**ПАЖЊА:** Пре убацивања улошка батерије у алат, увек проверите да ли клизни прекидач ради правилно и да ли се враћа у положај „OFF“ (искључено) када притиснете задњу страну клизног прекидача.

**ПАЖЊА:** Прекидач може да буде закључан у положају „ON“ (укључивање) за удобнији рад оператора приликом дуге употребе. Будите пажљиви приликом закључавања алата у положају „ON“ (укључивање) и непрекидно чврсто држите алат.

Да бисте укључили алат, гурните клизни прекидач у положај „I (ON)“ (укључено) тако што ћете притиснути задњу страну клизног прекидача.

За непрекидни рад блокирајте клизни прекидач притискањем његове предње стране.

Да бисте искључили алат, притисните задњу страну клизног прекидача, а затим гурните прекидач у положај „O (OFF)“ (искључено).

► **Слика5:** 1. Клизни прекидач

## Бројчаник за подешавање брзине

Брзина ротације алата може се променити окретањем бројчаника за подешавање брзине. Табела у наставку приказује број на бројчанику и одговарајућу брзину ротације.

► **Слика6:** 1. Бројчаник за подешавање брзине

Број	Брзина
1	3.000 мин <sup>-1</sup>
2	4.500 мин <sup>-1</sup>
3	6.000 мин <sup>-1</sup>
4	7.500 мин <sup>-1</sup>
5	8.500 мин <sup>-1</sup>

**ОБАВЕШТЕЊЕ:** Ако се алат стално користи на мањим брзинама током дужег периода, мотор ће се преоптеретити, што ће довести до квара.

**ОБАВЕШТЕЊЕ:** Ако окрећете бројчаник за мењање брзине са броја „5“ на „1“, окрените бројчаник у смеру супротном кретању казаљке на сату. Немојте на силу да окрећете бројчаник у смеру казаљке на сату.

## Функција аутоматске промене брзине

► **Слика7:** 1. Индикатор режима

Стање индикатора режима	Режим рада
	Режим велике брзине
	Режим великог момента

Овај алат има „режим велике брзине“ и „режим великог момента“. Он аутоматски мења режим рада у зависности од радног оптерећења. Када се индикатор режима укључи током рада, алат је у режиму великог момента.

## Функција за спречавање случајног укључивања

Иако је уложак батерије постављен у алат са клизним прекидачем у положају „I (ON)“ (укључено), алат се не покреће.

Да бисте покренули алат, прво повуците клизни прекидач према положају „O (OFF)“, а затим према положају „I (ON)“.

## Функција електронске контроле обртног момента

Алат електронски открива ситуације у којима су диск или прибор у опасности да се заглаве. У том случају, алат се аутоматски искључује како би се спречила даља ротација осовине (што неће спречити повратни удар). Да бисте поново покренули алат, најпре га искључите, уклоните разлог изненадног пада брзине ротације, а затим поново укључите алат.

## Функција лаганог старта

Функција лаганог старта смањује почетну реакцију.

## Електрична кочница

**Само за модел DGA413/DGA414/DGA463/DGA464/DGA513/DGA514**

Електрична кочница се активира након искључивања алата.

Кочница не функционише када је напајање искључено, на пример – када батерија случајно испадне, а прекидач је и даље укључен.

## СКЛАПАЊЕ

**ПАЖЊА:** Пре подешавања или провере функција алата увек проверите да ли је алат искључен и да ли је уложак батерије уклоњен.

## Монтажа бочног рукохвата (дршке)

**ПАЖЊА:** Пре употребе се побрините да бочни рукохват буде правилно монтиран.

Бочни рукохват чврсто притегните на алат у положају приказаном на слици.

► **Слика8**

## Монтажа или скидање штитника плоче (коленасте брусне плоче, преклопног диска, еластичне плоче, обртне жичане четке / брусне плоче за одсецање, дијамантске плоче)

**УПОЗОРЕЊЕ:** Када се користи коленаста брусна плоча / преклопни диск, еластична плоча или обртна жичана четка, штитник плоче треба причврстити на алат тако да страна са штитником плоче буде увек усмерена према руковаоцу алатом.

**УПОЗОРЕЊЕ:** Када се користи брусна плоча за одсецање / дијамантска плоча, обавезно користите искључиво специјални штитник плоче пројектован за коришћење са брусним дисковима за одсецање.

(У појединим европским земљама се може користити обичан штитник за рад са дијамантском плочом. Придржавајте се прописа у вашој земљи.)

## За алат са штитником плоче у виду зауставног завртња

Штитник плоче поставите тако да избочине на прстену штитника плоче буду поравнате са жлебом на кућишту лежаја. Затим окрените штитник плоче под углом под којим ће руковалац на одговарајући начин бити заштићен у односу на посао који обавља. Пазите да завртањ буде чврсто затегнут.

Да бисте скинули штитник плоче, примените обрнути редослед.

- **Слика9:** 1. Штитник плоче 2. Кућиште лежаја 3. Завртањ

## За алат са штитником плоче у виду полуге за стезање

Олабавите завртањ, а затим повуците полуку у смеру стрелице. Штитник плоче поставите тако да избочине на прстену штитника плоче буду поравнате са жлебом на кућишту лежаја. Затим окрените штитник плоче под углом под којим ће руковалац на одговарајући начин бити заштићен у односу на посао који обавља.

- **Слика10:** 1. Штитник плоче 2. Кућиште лежаја 3. Завртањ 4. Полука

Повуците полуку у смеру стрелице. Затим причврстите штитник плоче тако што ћете затегнути завртањ.

Пазите да завртањ буде чврсто затегнут. Угао штитника плоче можете да подесите помоћу полуге.

- **Слика11:** 1. Завртањ 2. Полука

Да бисте скинули штитник плоче, примените обрнути редослед.

## Постављање или скидање коленасте брусне плоче / преклопног диска

### Опциони додатни прибор

**▲УПОЗОРЕЊЕ:** Када се користи коленаста брусна плоча или преклопни диск, штитник плоче треба причврстити на алат тако да страна са штитником буде увек усмерена према руковаоцу.

**▲ПАЖЊА:** Уверите се да се део за постављање унутрашње прирубнице савршено уклапа у унутрашњи пречник коленасте брусне плоче / преклопног диска. Постављање унутрашње прирубнице на погрешну страну може да доведе до опасних вибрација.

Унутрашњу прирубницу поставите на осовину. Уверите се да је назубљени део унутрашње прирубнице налегао на прави део на дну осовине. Коленасту брусну плочу / преклопни диск навуците на унутрашњу прирубницу и заврните сигурносни навртањ на осовину.

- **Слика12:** 1. Сигурносни навртањ 2. Коленаста брусна плоча 3. Унутрашња прирубница 4. Део за постављање

Да бисте притегли сигурносни навртањ, снажно притисните браву осовине тако да осовина не може да се окреће, а затим кључем чврсто притегните сигурносни навртањ у смеру казаљке на сату.

- **Слика13:** 1. Кључ за сигурносни навртањ 2. Брава осовине

Да бисте скинули брусну плочу, примените обрнути редослед.

## Постављање или скидање еластичне плоче

### Опциони додатни прибор

**▲УПОЗОРЕЊЕ:** Увек користите испоручени штитник када је еластична плоча на алату. Плоча се може сломити током употребе, а штитник помаже тако што смањује шансе да дође до повреде.

- **Слика14:** 1. Сигурносни навртањ 2. Еластична плоча 3. Подметач 4. Унутрашња прирубница

Пратите упутства за коленасту брусну плочу, али на плочи користите и подметач. Погледајте редослед склапања на страници са додатним прибором у овом приручнику.

## Монтирање и уклањање брусног диска

### Опциони додатни прибор

**НАПОМЕНА:** Употребљавајте само брусни прибор наведен у овом упутству. Морате га засебно купити.

## За модел од 100 мм (4")

- **Слика15:** 1. Сигурносни навртањ за полирање 2. Брусни диск 3. Гумена подлошка 4. Унутрашња прирубница

1. Унутрашњу прирубницу поставите на осовину.
2. Гумену подлошку поставите на осовину.
3. Поставите диск на гумену подлошку и заврните сигурносни навртањ за полирање на осовину.
4. Држите осовину уз помоћ браве осовине и помоћу кључа за сигурносни навртањ добро затегните навртањ за закључавање шмиргле у смеру казаљке на сату.

Да бисте скинули диск, примените обрнути редослед.

## За модел од 115 мм (4–1/2") / 125 мм (5")

- **Слика16:** 1. Сигурносни навртањ за полирање 2. Брусни диск 3. Гумена подлошка

1. Гумену подлошку поставите на осовину.
2. Поставите диск на гумену подлошку и заврните сигурносни навртањ за полирање на осовину.
3. Држите осовину уз помоћ браве осовине и помоћу кључа за сигурносни навртањ добро затегните навртањ за закључавање шмиргле у смеру казаљке на сату.

Да бисте скинули диск, примените обрнути редослед.

## Повезивање усисивача

### Опциони додатни прибор

**▲УПОЗОРЕЊЕ:** Немојте никада усисавати металне честице настале брушењем/сечењем/полирањем. Металне честице настале таквим операцијама толико су вруће да могу да упале прашину и филтер унутар усисивача.

Да бисте избегли да услед сечења зиданих материјала настане прашњаво окружење, користите штитник плоче за сакупљање праšине и усисивач. Упутства о склапању и коришћењу потражите у упутству за употребу које се испоручује са штитником плоче за сакупљање праšине.

► **Слика17:** 1. Штитник плоче за сакупљање праšине 2. Црево усисивача

## РАД

**▲УПОЗОРЕЊЕ:** Током рада никада не употребљавајте силу. Сама тежина алата обезбеђује довољан притисак. У случају претераног притиска постоји опасност да се плоча распадне.

**▲УПОЗОРЕЊЕ:** Брусну плочу **УВЕК** замените ако се алат током брушења срружио.

**▲УПОЗОРЕЊЕ:** Брусна плоча **НИКАДА** не сме да удари о предмет обраде.

**▲УПОЗОРЕЊЕ:** Водите рачуна да брусна плоча не одскочи или да се не окрњи, нарочито приликом обраде углова, оштрих ивица итд. То би могло да изазове губитак контроле и повратни ударац.

**▲УПОЗОРЕЊЕ:** Алат **НИКАДА** не употребљавајте са листовима тестере за резање дрвета и другим листовима тестере. Ако се употребе на брусници, такви листови тестере изазивају честе повратне ударце и губитак контроле, што може да доведе до повреда.

**▲ПАЖЊА:** Никада немојте да укључујете алат када је у контакту са предметом обраде, јер може доћи до повреде руковаоца.

**▲ПАЖЊА:** Увек носите заштитне наочаре или штитник за лице током рада.

**▲ПАЖЊА:** По завршетку рада увек искључите алат и пре одлагања алата сачекајте да се брусна плоча потпуно заустави.

**▲ПАЖЊА:** Алат **УВЕК** чврсто држите једном руком за куиште, а другом за бочни рукохват (дршку).

## Брушење и полирање

### ► Слика18

Укључите алат, а затим ставите плочу или диск на предмет обраде.

Обично ивицу плоче или диска треба држати под углом од отприлике 15° у односу на површину предмета обраде.

Током периода уходавања са новом плочом, немојте да усмеравате брусницу унапред, пошто ће засећи предмет обраде. Када се ивица плоче услед употребе заобли, плочу можете да употребљавате у оба правца – унапред и уназад.

## Рад са брусном плочом за одсецање / дијамантском плочом

### Опциони додатни прибор

**▲УПОЗОРЕЊЕ:** Када се користи брусна плоча за одсецање / дијамантска плоча, **обавезно користите искључиво специјални штитник плоче пројектован за коришћење са брусним дисковима за одсецање.**

(У појединим европским земљама се може користити обичан штитник за рад са дијамантском плочом. Придржавајте се прописа у вашој земљи.)

**▲УПОЗОРЕЊЕ:** **НИКАДА** не користите брусни диск за одсецање за радове на бочном брушењу.

**▲УПОЗОРЕЊЕ:** Не „ометајте“ плочу и не примењујте превелики притисак. Не покушавајте да направите превише дубоки рез. Пренапрезање плоче повећава оптерећење и склоност ка увртању и блокирању плоче у резу и могућност повратног удара, ломљења плоче и прегревања мотора.

**▲УПОЗОРЕЊЕ:** Не започињите резање у предмету обраде. Пустите да плоча достигне пуну брзину и пажљиво унесите алат у рез померајући алат унапред преко површине предмета обраде. Плоча може да се блокира, издигне или прави повратни удар у случају да дође до укључивања струје док се плоча налази у резу.

**▲УПОЗОРЕЊЕ:** Никад не мењајте угао нагиба плоче током резања. Бочни притисак на диск за одсецање (као код брушења) доводи до прскања и ломљења диска, што може проузроковати озбиљне повреде.

**▲УПОЗОРЕЊЕ:** Дијамантску плочу треба употребљавати под правим углом у односу на материјал који се сече.

► **Слика19:** 1. Сигурносни навртањ 2. Брусна плоча за одсецање / дијамантска плоча 3. Унутрашња прирубница 4. Штитник плоче за брусну плочу за одсецање / дијамантску плочу

За монтажу пратите упутство за коленасту брусну плочу. **Смер монтаже сигурносног навртња и унутрашње прирубнице зависи од типа и дебљине плоче.**

Погледајте следеће слике.

## За модел од 100 мм (4")

Приликом постављања брусне плоче за одсецање:

- **Слика20:** 1. Сигурносни навртањ 2. Брусна плоча за одсецање (тања од 4 мм (5/32")) 3. Брусна плоча за одсецање (4 мм (5/32") или дебља) 4. Унутрашња прирубница

Приликом постављања дијамантске плоче:

- **Слика21:** 1. Сигурносни навртањ 2. Дијамантска плоча (тања од 4 мм (5/32")) 3. Дијамантска плоча (4 мм (5/32") или дебља) 4. Унутрашња прирубница

## За модел од 115 мм (4–1/2") / 125 мм (5")

Приликом постављања брусне плоче за одсецање:

- **Слика22:** 1. Сигурносни навртањ 2. Брусна плоча за одсецање (тања од 4 мм (5/32")) 3. Брусна плоча за одсецање (4 мм (5/32") или дебља) 4. Унутрашња прирубница

Приликом постављања дијамантске плоче:

- **Слика23:** 1. Сигурносни навртањ 2. Дијамантска плоча (тања од 4 мм (5/32")) 3. Дијамантска плоча (4 мм (5/32") или дебља) 4. Унутрашња прирубница

## Руковање жичаном четком у облику купе

Опциони додатни прибор

**ПАЖЊА:** Проверите функционисање четке радом у празном ходу, и то само када сте сигурни да никог нема испред или у линији са четком.

**ПАЖЊА:** Не употребљавајте четку која је оштећена или неуравнотежена. Ако користите оштећену четку, повећаће се опасност од повреде изазване сломљеним жицама са четке.

- **Слика24:** 1. Жичана четка у облику купе

Скините уложак батерије са алата и окрените га наопако да бисте омогућили једноставан приступ осовини.

Скините све додатке са осовине. Ставите жичану четку у облику купе на осовину и стегните је испорученим кључем.

**ОБАВЕШТЕЊЕ:** Немојте примењивати превелики притисак док користите четку, јер то изазива савијање жица. Може довести до превременог ломљења.

## Руковање обртном жичаном четком

Опциони додатни прибор

**ПАЖЊА:** Проверите функционисање обртне жичане четке радом у празном ходу, и то само када сте сигурни да никог нема испред или у линији са четком.

**ПАЖЊА:** Не употребљавајте обртну жичану четку која је оштећена или неуравнотежена. Ако користите оштећену обртну жичану четку, повећаће се опасност од повреде изазване сломљеним жицама са четке.

**ПАЖЊА:** УВЕК користите штитник с обртним жичаним четкама, водећи рачуна да пречник плоче одговара штитнику. Плоча се може сломити током употребе, а штитник помаже тако што смањује шансе да дође до повреде.

- **Слика25:** 1. Обртна жичана четка

Скините уложак батерије са алата и окрените га наопако да бисте омогућили једноставан приступ осовини.

Скините све додатке са осовине. Заврните обртну жичану четку на осовину и стегните је кључем.

**ОБАВЕШТЕЊЕ:** Немојте примењивати превелики притисак док користите обртну жичану четку, јер то изазива савијање жица. Може довести до превременог ломљења.

## ФУНКЦИЈА БЕЖИЧНОГ АКТИВИРАЊА

Само за модел DGA412/DGA414/DGA462/DGA464/DGA512/DGA514

## Шта све можете да радите са функцијом бежичног активирања

Функција бежичног активирања омогућава уредан и удобан рад. Када повежете подржани усисивач са алатом, можете аутоматски да покрећете усисивач притискањем прекидача на алату.

- **Слика26**

Да бисте могли да користите функцију бежичног активирања, припремите следеће предмете:

- Бежична јединица
- Усисивач који подржава функцију бежичног активирања

Следи преглед подешавања функције бежичног активирања. Детаљи процедура су описани у одговарајућим одељцима.

1. Постављање бежичне јединице
2. Регистрација алата за усисивач
3. Покретање функције бежичног активирања



## Постављање бежичне јединице

**ПАЖЊА:** Пре постављања бежичне јединице ставите алат на равну и стабилну површину.

**ОБАВЕШТЕЊЕ:** Очистите прашину и прљавштину са алата пре постављања бежичне јединице. Прашина и прљавштина могу да изазову квар ако доспеју у отвор за бежичну јединицу.

**ОБАВЕШТЕЊЕ:** Да не би дошло до сметњи због статичког електрицитета, додирните материјал кроз који се он празни, попут неког металног дела алата, пре него што узмете бежичну јединицу.

**ОБАВЕШТЕЊЕ:** При постављању бежичне јединице строго водите рачуна да бежична јединица буде окренута на одговарајући начин и да је поклопац потпуно затворен.

1. Отворите поклопац, као што је показано на слици.

► **Слика27:** 1. Поклопац

2. Убаците бежичну јединицу у отвор, па затворите поклопац.

При постављању бежичне јединице поравнајте избочине са удубљењима у отвору.

► **Слика28:** 1. Бежична јединица 2. Избочина 3. Поклопац 4. Места удубљења

Пре скидања бежичне јединице пажљиво скините поклопац. Кукице на задњој страни поклопца ће подићи бежичну јединицу кад подигнете поклопац.

► **Слика29:** 1. Бежична јединица 2. Кука 3. Поклопац

Након уклањања бежичне јединице чувајте је у добијеној кутији или амбалажи отпорној на статички електрицитет.

**ОБАВЕШТЕЊЕ:** Бежичну јединицу увек водите помоћу кукица на задњој страни поклопца. Ако кукице не ухвате бежичну јединицу, потпуно затворите поклопац па га поново отворите.

## Регистрација алата за усисивач

**НАПОМЕНА:** За регистрацију алата је потребан Makita усисивач који подржава функцију бежичног активирања.

**НАПОМЕНА:** Довршите постављање бежичне јединице пре почетка регистрације алата.

**НАПОМЕНА:** Током регистрације алата не дирајте окидач прекидача и не укључујте прекидач на усисивачу.

**НАПОМЕНА:** Погледајте и приручник са упутствима за усисивач.

Ако желите да се усисивач активира када се притисне прекидач на алату, прво довршите регистрацију алата.

1. Поставите батерије у усисивач и алат.

2. Поставите прекидач за стање приправности на усисивачу на „АUTO“.

► **Слика30:** 1. Прекидач за стање приправности

3. Притисните и 3 секунде држите дугме за бежично активирање на усисивачу док лампица за бежично активирање не почне да трепти зелено. Затим на исти начин притисните дугме за бежично активирање на алату.

- **Слика31:** 1. Дугме за бежично активирање  
2. Лампица за бежично активирање

Ако се усисивач и алат успешно повежу, лампица за бежично активирање ће сијати зелено 2 секунде, а затим почети да трепти плаво.

**НАПОМЕНА:** Лампице за бежично активирање ће престати да сијају зелено након 20 секунди. Притисните дугме за бежично активирање на алату када лампица за бежично активирање на усисивачу почне да трепти. Ако лампица за бежично активирање не почне да трепти зелено, једном кратко притисните дугме за бежично активирање, па га опет држите.

**НАПОМЕНА:** Ако региструјете више алата на једном усисивачу, регистрације вршите једну по једну.

## Покретање функције бежичног активирања

**НАПОМЕНА:** Довршите регистрацију алата за усисивач пре бежичног активирања.

**НАПОМЕНА:** Погледајте и приручник са упутствима за усисивач.

Након регистраовања алата на усисивачу, усисивач ће се аутоматски укључивати када се притисне прекидач на алату.

1. Поставите бежичну јединицу у алат.

2. Повежите црево усисивача на алат.

► **Слика32**

3. Поставите прекидач за стање приправности на усисивачу на „АUTO“.

► **Слика33:** 1. Прекидач за стање приправности

4. Накратко притисните дугме за бежично активирање на алату. Лампица за бежично активирање ће почети да сија плаво.

► **Слика34:** 1. Дугме за бежично активирање  
2. Лампица за бежично активирање

5. Повуците окидач прекидача на алату.

Проверите да ли усисивач ради када се притисне окидач прекидача.

Ако желите да зауставите бежично активирање усисивача, притисните дугме за бежично активирање на алату.

**НАПОМЕНА:** Лампица за бежично активирање на алату ће престати да трепти плаво ако нема активности у року од 2 сата. У том случају, поставите прекидач за стање приправности у положај „АUTO“ и поново притисните дугме за бежично активирање на алату.

**НАПОМЕНА:** Усисивач ће се покретати/ заустављати уз кашњење. Јавља се кашњење када усисивач детектује притискање прекидача на алату.










**НАПОМЕНА:** Домет бежичне јединице може да варира у зависности од локације и услова средине.

**НАПОМЕНА:** Када су два или више алата регистрована на један усисивач, он ће можда почети да ради и када не притиснете окидач прекидача јер неки други корисник користи функцију бежичног активирања.

## Опис статуса лампице за бежично активирање

### ► Слика35: 1. Лампица за бежично активирање

Лампица за бежично активирање приказује статус функције бежичног активирања. У табели испод су наведена значења статуса лампице.

Статус	Лампица за бежично активирање				Опис
	Боја	 Сија	 Трепће	Трајање	
Мировање	Плаво			2 сата	Усисивач може бежично да се активира. Лампица ће се аутоматски искључити ако нема активности у року од 2 сата.
				Када алат не ради.	Усисивач може бежично да се активира и алат ради.
Регистрација алата	Зелено			20 секунди	Спреман за регистрацију алата. Чека се на регистрацију усисивача.
				2 секунди	Регистрација алата је завршена. Лампица за бежично активирање ће почети да трепти плаво.
Отказивање регистрације алата	Црвено			20 секунди	Спреман за отказивање регистрације алата. Чека се на отказивање од стране усисивача.
				2 секунди	Отказивање регистрације алата је завршено. Лампица за бежично активирање ће почети да трепти плаво.
Друго	Црвено			3 секунди	Бежична јединица је под напоном, а функција бежичног активирања се покреће.
	Искључено		–	–	Бежично активирање усисивача је заустављено.

## Отказивање регистрације алата за усисивач

Обавите следећу процедуру ако желите да откажете регистрацију алата за усисивач.

1. Поставите батерије у усисивач и алат.
2. Поставите прекидач за стање приправности на усисивачу на „АУТО“.

### ► Слика36: 1. Прекидач за стање приправности

3. Притисните и 6 секунди држите дугме за бежично активирање на усисивачу. Лампица за бежично активирање ће трептати зелено, па почети да сија црвено. Затим на исти начин притисните дугме за бежично активирање на алату.

- ### ► Слика37: 1. Дугме за бежично активирање
2. Лампица за бежично активирање

Ако отказивање успе, лампица за бежично активирање ће сијати црвено 2 секунде, а затим почети да трепти плаво.

**НАПОМЕНА:** Лампице за бежично активирање ће престати да сијају црвено након 20 секунди. Притисните дугме за бежично активирање на алату када лампица за бежично активирање на усисивачу почне да трепти. Ако лампица за бежично активирање не почне да трепти црвено, једном кратко притисните дугме за бежично активирање, па га опет држите.



## Решавање проблема са функцијом бежичног активирања

Пре него што затражите поправку, најпре сами извршите преглед. Уколико наиђете на проблем који није објашњен у упутству, не покушавајте да расклопите алат. Уместо тога тражите поправке од овлашћених сервисних центара Makita и увек користите оригиналне Makita резервне делове приликом поправки.

Неисправно стање	Вероватан узрок (квар)	Отклањање квара
Лампица за бежично активирање не сија / не трепти.	Бежична јединица није постављена у алат. Бежична јединица није правилно постављена у алат.	Правилно поставите бежичну јединицу.
	Контакти на бежичној јединици и/или у отвору су прљави.	Пажљиво обришите прашину и прљавштину са контаката бежичне јединице и очистите отвор.
	Дугме за бежично активирање на алату је притиснуто.	Накратко притисните дугме за бежично активирање на алату.
	Прекидач за стање приправности на усисивачу није постављен на „AUTO“.	Поставите прекидач за стање приправности на усисивачу на „AUTO“.
	Нема напајања струјом	Обезбедите напајање алата и усисивача струјом.
Није могуће довршити регистрацију алата / отказивање регистрације алата.	Бежична јединица није постављена у алат. Бежична јединица није правилно постављена у алат.	Правилно поставите бежичну јединицу.
	Контакти на бежичној јединици и/или у отвору су прљави.	Пажљиво обришите прашину и прљавштину са контаката бежичне јединице и очистите отвор.
	Прекидач за стање приправности на усисивачу није постављен на „AUTO“.	Поставите прекидач за стање приправности на усисивачу на „AUTO“.
	Нема напајања струјом	Обезбедите напајање алата и усисивача струјом.
	Неправилан рад	Накратко притисните дугме за бежично активирање и извршите регистрацију/ отказивање алата.
	Алат и усисивач су превише међусобно удаљени (ван домета).	Приближите алат и усисивач. Максималан домет износи око 10 м, али може да варира у зависности од услова.
	Пре довршетка регистрације алата / отказивања; – окидач прекидача на алату је притиснут; – дугме за укључивање на усисивачу је укључено.	Накратко притисните дугме за бежично активирање и извршите регистрацију/ отказивање алата.
	Процедура регистрације алата за алат или усисивач није довршена.	Обавите процедуре регистрације за алат и усисивач у исто време.
Радио-смeтње од других апарата који одају радио-таласе високог интензитета.	Држите алат и усисивач даље од апарата попут Wi-Fi уређаја и микроталасних пећница.	

Неисправно стање	Вероватан узрок (квар)	Отклањање квара
Усисивач се не активира кад се притисне прекидач на алату.	Бежична јединица није постављена у алат. Бежична јединица није правилно постављена у алат.	Правилно поставите бежичну јединицу.
	Контакти на бежичној јединици и/или у отвору су прљави.	Пажљиво обришите прашину и прљавштину са контаката бежичне јединице и очистите отвор.
	Дугме за бежично активирање на алату је притиснуто.	Накратко притисните дугме за бежично активирање и сачекајте да лампица за бежично активирање почне да трепти плаво.
	Прекидач за стање приправности на усисивачу није постављен на „АУТО“.	Поставите прекидач за стање приправности на усисивачу на „АУТО“.
	Више од 10 алата је регистровано на усисивачу.	Поновите регистрацију алата. Ако је на усисивач регистровано више од 10 алата, најраније регистровани алат ће аутоматски бити избрисан.
	Усисивач је обрисао све регистроване алате.	Поновите регистрацију алата.
	Нема напајања струјом	Обезбедите напајање алата и усисивача струјом.
	Алат и усисивач су превише међусобно удаљени (ван домета).	Приближите алат и усисивач. Максималан домет износи око 10 м, али може да варира у зависности од услова.
	Радио-сметње од других апарата који одају радио-таласе високог интензитета.	Држите алат и усисивач подаље од апарата попут Wi-Fi уређаја и микроталасних пећница.
Усисивач се покреће и ако окидач прекидача није притиснут.	Искључите дугме за бежично активирање на другим алатима или откажите регистрацију других алата.	

## ОДРЖАВАЊЕ

**▲ПАЖЊА:** Пре него што почнете с прегледом или одржавањем алата, искључите алат и уклоните уложак батерије.

**ОБАВЕШТЕЊЕ:** Никад немојте да користите нафту, бензин, разређивач, алкохол и слична средства. Може доћи до губитка боје, деформације или оштећења.

## Чишћење вентилационог отвора

Алат и вентилационе отворе увек одржавајте чистим. Вентилационе отворе чистите редовно или када почну да се зачепљују.

► **Слика38:** 1. Издувни отвор 2. Усисни отвор

Скините поклопац за прашину са усисног отвора и очистите га ради несметаног циркулисања ваздуха.

► **Слика39:** 1. Поклопац за заштиту од прашине

**ОБАВЕШТЕЊЕ:** Очистите поклопац за прашину када се запуши прашином или страним предметима. Наставак употребе са запушеним поклопцем за прашину може оштетити алат.

# ОПЦИОНИ ПРИБОР

**⚠ ПАЗИЋА:** Ова опрема и прибор су предвиђени за употребу са алатом Makita описаним у овом упутству за употребу. Употреба друге опреме и прибора може да доведе до повреда. Користите делове прибора или опрему искључиво за предвиђену намену.

Да бисте добили више детаља у вези са овим прибором, обратите се локалном сервисном центру компаније Makita.

- Makita оригинална батерија и пуњач
- Бежична јединица (за моделе са функцијом бежичног активирања)

► Слика40

-	Модел од 100 мм (4")	Модел од 115 мм (4–1/2")	Модел од 125 мм (5")
1	Дршка 36		
2	Штитник плоче (за брусну плочу)		
3	Унутрашња прирубница		
4	Коленаста брусна плоча / преклопни диск		
5	Сигурносни навртањ		
6	Подметач		
7	Еластична плоча		
8	Унутрашња прирубница и гумена подлошка 76	Гумена подлошка 100	Гумена подлошка 115
9	Брусни диск		
10	Сигурносни навртањ за полирање		
11	Обртна жичана четка		
12	Жичана четка у облику купе		
13	Штитник плоче (за диск за одсецање) *1		
14	Брусна плоча за одсецање / дијамантска плоча		
15	Штитник плоче за сакупљање прашине		
-	Кључ за сигурносни навртањ		

**НАПОМЕНА:** \*1 У неким европским земљама, када се користи дијамантска плоча, обични штитник може да се користи уместо специјалног штитника покривајући обе стране плоче. Придржавајте се прописа у вашој земљи.

**НАПОМЕНА:** Поједине ставке на листи могу бити укључене у садржај паковања алата као стандардна опрема. Оне се могу разликовати од земље до земље.

## SPECIFICAȚII

Model:	DGA411	DGA412	DGA413	DGA414
Diametrul discului	100 mm (4")			
Grosimea maximă a discului	6,4 mm			
Filetul arborelui	M10			
Turație nominală (n)	8.500 min <sup>-1</sup>			
Lungime totală	382 mm			
Tensiune nominală	18 V c.c.			
Greutate netă	2,2 - 2,8 kg			
Frână electrică	-		✓	
Funcția de activare wireless	-	✓	-	✓

Model:	DGA461	DGA462	DGA463	DGA464
Diametrul discului	115 mm (4-1/2")			
Grosimea maximă a discului	7,2 mm			
Filetul arborelui	M14 sau 5/8" (diferă în funcție de țară)			
Turație nominală (n)	8.500 min <sup>-1</sup>			
Lungime totală	382 mm			
Tensiune nominală	18 V c.c.			
Greutate netă	2,3 - 3,0 kg			
Frână electrică	-		✓	
Funcția de activare wireless	-	✓	-	✓

Model:	DGA511	DGA512	DGA513	DGA514
Diametrul discului	125 mm (5")			
Grosimea maximă a discului	7,2 mm			
Filetul arborelui	M14 sau 5/8" (diferă în funcție de țară)			
Turație nominală (n)	8.500 min <sup>-1</sup>			
Lungime totală	382 mm			
Tensiune nominală	18 V c.c.			
Greutate netă	2,3 - 3,0 kg		2,4 - 3,0 kg	
Frână electrică	-		✓	
Funcția de activare wireless	-	✓	-	✓

- Datorită programului nostru continuu de cercetare și dezvoltare, specificațiile pot fi modificate fără o notificare prealabilă.
- Specificațiile pot varia în funcție de țară.
- Greutatea poate diferi în funcție de accesoriu(ii), inclusiv cartușul acumulatorului. În tabel se prezintă combinația cea mai ușoară și cea mai grea, conform Procedurii EPTA 01/2014.

### Cartușul acumulatorului aplicabil

BL1815N / BL1820 / BL1820B / BL1830 / BL1830B / BL1840 / BL1840B / BL1850 / BL1850B / BL1860B

- Este posibil ca unele cartușe ale acumulatorilor menționate mai sus să nu fie disponibile în funcție de regiunea dvs. de reședință.

**⚠ AVERTIZARE:** Utilizați numai cartușele de acumulator enumerate mai sus. Utilizarea oricăror altor cartușe de acumulator poate duce la rănire și/sau incendiu.

**Makita Europe N.V.** Jan-Baptist Vinkstraat 2,  
3070 Kortenberg, Belgium

**Makita Corporation** 3-11-8, Sumiyoshi-cho,  
Anjo, Aichi 446-8502 Japan

[www.makita.com](http://www.makita.com)

885615-963 EN, SL, SQ, BG, HR, MK, SR, RO, UK, RU 20170627
--