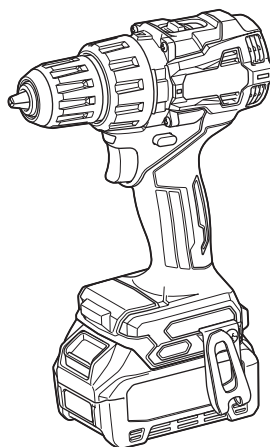




EN	Cordless Driver Drill	INSTRUCTION MANUAL	4
SL	Brezžični vijačni vrtalnik	NAVODILA ZA UPORABO	10
SQ	Trapan me bateri	MANUALI I PËRDORIMIT	16
BG	Акумулаторна бормашина с винтоверт	РЪКОВОДСТВО ЗА ЕКСПЛОАТАЦИЯ	22
HR	Bežična udarna bušilica	PRIRUČNIK S UPUTAMA	30
MK	Безжична шрафцигер-дупчалка	УПАТСТВО ЗА УПОТРЕБА	36
SR	Бежична бушилица	УПУТСТВО ЗА УПОТРЕБУ	43
RO	Mașină de găurit și înșurubat cu acumulator	MANUAL DE INSTRUCȚIUNI	50
UK	Дриль із бездротовим приводом	ІНСТРУКЦІЯ З ЕКСПЛУАТАЦІЇ	57
RU	Аккумуляторная дрель-шуруповерт	РУКОВОДСТВО ПО ЭКСПЛУАТАЦИИ	64

## DF002G



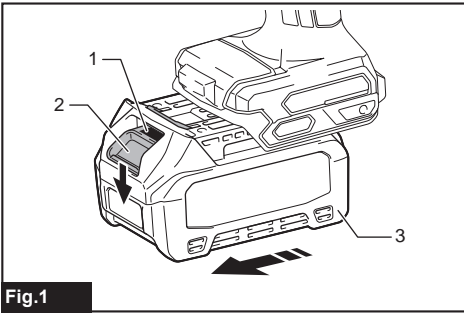


Fig.1

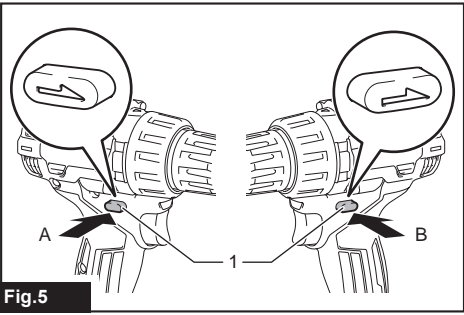


Fig.5

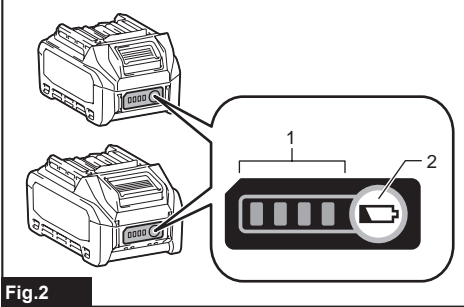


Fig.2

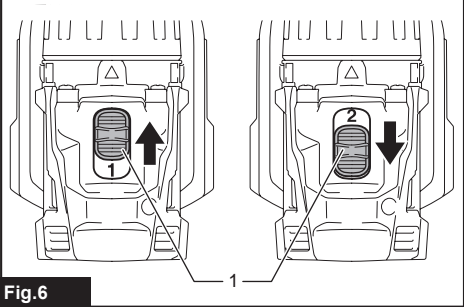


Fig.6

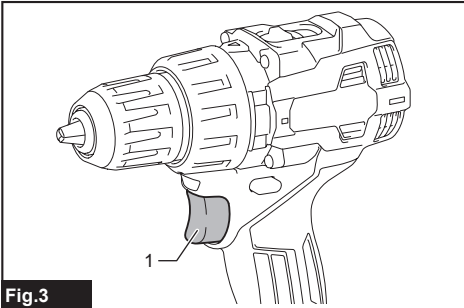


Fig.3

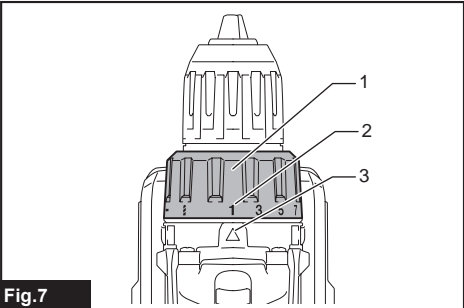


Fig.7

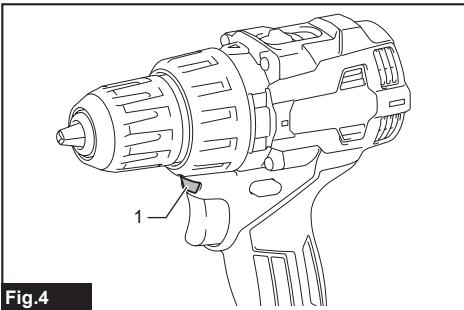


Fig.4

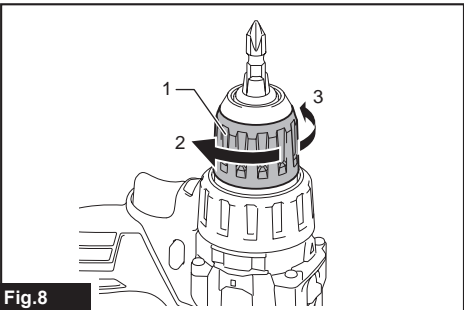
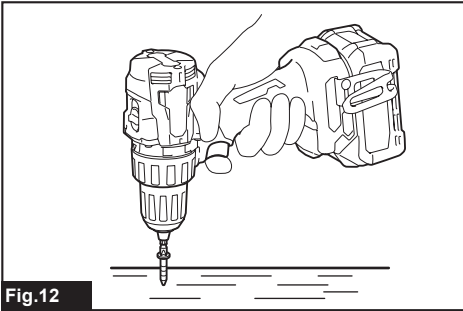
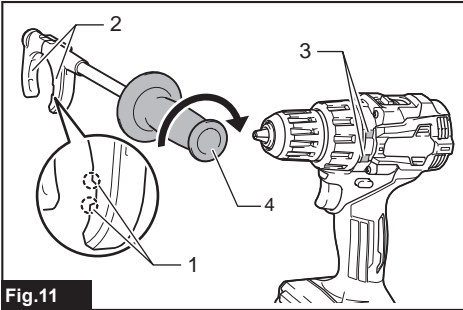
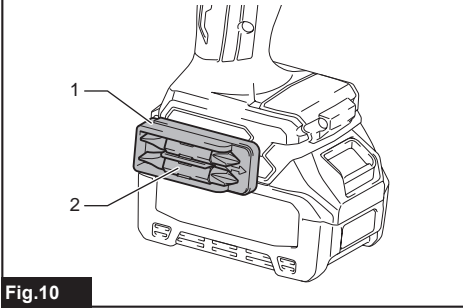
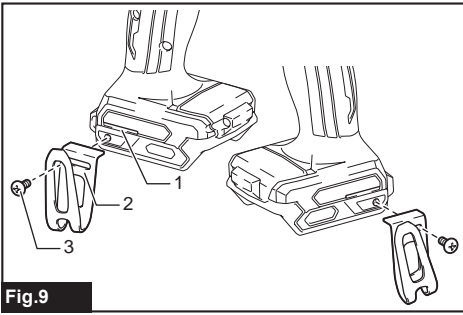


Fig.8



# SPECIFICATIONS

<b>Model:</b>		<b>DF002G</b>
Drilling capacities	Steel	13 mm
	Wood	Auger bit: 38 mm Self-feed bit: 38 mm Hole saw: 51 mm
Fastening capacities	Wood screw	10 mm x 90 mm
	Machine screw	M6
No load speed (RPM)	High (2)	0 - 2,200 min <sup>-1</sup>
	Low (1)	0 - 600 min <sup>-1</sup>
Overall length	164 mm	
Rated voltage	D.C. 36 V - 40 V max	
Net weight	1.9 - 2.8 kg	

- Due to our continuing program of research and development, the specifications herein are subject to change without notice.
- Specifications may differ from country to country.
- The weight may differ depending on the attachment(s), including the battery cartridge. The lightest and heaviest combination, according to EPTA-Procedure 01/2014, are shown in the table.

## Applicable battery cartridge and charger

Battery cartridge	BL4020* / BL4025* / BL4040* / BL4050F * : Recommended battery
Charger	DC40RA / DC40RB / DC40RC

- Some of the battery cartridges and chargers listed above may not be available depending on your region of residence.

**⚠ WARNING:** Only use the battery cartridges and chargers listed above. Use of any other battery cartridges and chargers may cause injury and/or fire.

### Intended use

The tool is intended for drilling and screw driving in wood, metal and plastic.

### Noise

The typical A-weighted noise level determined according to EN62841-2-1:

Sound pressure level ( $L_{pA}$ ) : 78 dB(A)

Uncertainty (K) : 3 dB(A)

The noise level under working may exceed 80 dB (A).

**NOTE:** The declared noise emission value(s) has been measured in accordance with a standard test method and may be used for comparing one tool with another.

**NOTE:** The declared noise emission value(s) may also be used in a preliminary assessment of exposure.

**⚠ WARNING:** Wear ear protection.

**⚠ WARNING:** The noise emission during actual use of the power tool can differ from the declared value(s) depending on the ways in which the tool is used especially what kind of workpiece is processed.

**⚠ WARNING:** Be sure to identify safety measures to protect the operator that are based on an estimation of exposure in the actual conditions of use (taking account of all parts of the operating cycle such as the times when the tool is switched off and when it is running idle in addition to the trigger time).

### Vibration

The vibration total value (tri-axial vector sum) determined according to EN62841-2-1:

Work mode: drilling into metal

Vibration emission ( $a_{h,D}$ ) : 2.5 m/s<sup>2</sup> or less

Uncertainty (K) : 1.5 m/s<sup>2</sup>

**NOTE:** The declared vibration total value(s) has been measured in accordance with a standard test method and may be used for comparing one tool with another.

**NOTE:** The declared vibration total value(s) may also be used in a preliminary assessment of exposure.

**⚠ WARNING:** The vibration emission during actual use of the power tool can differ from the declared value(s) depending on the ways in which the tool is used especially what kind of workpiece is processed.

**⚠ WARNING:** Be sure to identify safety measures to protect the operator that are based on an estimation of exposure in the actual conditions of use (taking account of all parts of the operating cycle such as the times when the tool is switched off and when it is running idle in addition to the trigger time).

## EC Declaration of Conformity

### For European countries only

The EC declaration of conformity is included as Annex A to this instruction manual.

# SAFETY WARNINGS

## General power tool safety warnings

**⚠ WARNING:** Read all safety warnings, instructions, illustrations and specifications provided with this power tool. Failure to follow all instructions listed below may result in electric shock, fire and/or serious injury.

## Save all warnings and instructions for future reference.

The term "power tool" in the warnings refers to your mains-operated (corded) power tool or battery-operated (cordless) power tool.

## Cordless driver drill safety warnings

### Safety instructions for all operations

1. **Hold the power tool by insulated gripping surfaces, when performing an operation where the cutting accessory or fasteners may contact hidden wiring.** Cutting accessory or fasteners contacting a "live" wire may make exposed metal parts of the power tool "live" and could give the operator an electric shock.
2. **Always be sure you have a firm footing. Be sure no one is below when using the tool in high locations.**
3. **Hold the tool firmly.**
4. **Keep hands away from rotating parts.**
5. **Do not leave the tool running. Operate the tool only when hand-held.**
6. **Do not touch the drill bit, the workpiece or chips immediately after operation; they may be extremely hot and could burn your skin.**
7. **Some material contains chemicals which may be toxic. Take caution to prevent dust inhalation and skin contact. Follow material supplier safety data.**
8. **If the drill bit cannot be loosened even you open the jaws, use pliers to pull it out.** In such a case, pulling out the drill bit by hand may result in injury by its sharp edge.
9. **Make sure there are no electrical cables, water pipes, gas pipes etc. that could cause a hazard if damaged by use of the tool.**

### Safety instructions when using long drill bits

1. **Never operate at higher speed than the maximum speed rating of the drill bit.** At higher speeds, the bit is likely to bend if allowed to rotate freely without contacting the workpiece, resulting in personal injury.
2. **Always start drilling at low speed and with the bit tip in contact with the workpiece.** At higher speeds, the bit is likely to bend if allowed to rotate freely without contacting the workpiece, resulting in personal injury.
3. **Apply pressure only in direct line with the bit and do not apply excessive pressure.** Bits can bend causing breakage or loss of control, resulting in personal injury.

## SAVE THESE INSTRUCTIONS.

**⚠ WARNING:** DO NOT let comfort or familiarity with product (gained from repeated use) replace strict adherence to safety rules for the subject product. MISUSE or failure to follow the safety rules stated in this instruction manual may cause serious personal injury.

## Important safety instructions for battery cartridge

1. **Before using battery cartridge, read all instructions and cautionary markings on (1) battery charger, (2) battery, and (3) product using battery.**
2. **Do not disassemble or tamper the battery cartridge.** It may result in a fire, excessive heat, or explosion.
3. **If operating time has become excessively shorter, stop operating immediately. It may result in a risk of overheating, possible burns and even an explosion.**
4. **If electrolyte gets into your eyes, rinse them out with clear water and seek medical attention right away. It may result in loss of your eyesight.**
5. **Do not short the battery cartridge:**
  - (1) **Do not touch the terminals with any conductive material.**
  - (2) **Avoid storing battery cartridge in a container with other metal objects such as nails, coins, etc.**
  - (3) **Do not expose battery cartridge to water or rain.**

A battery short can cause a large current flow, overheating, possible burns and even a breakdown.
6. **Do not store and use the tool and battery cartridge in locations where the temperature may reach or exceed 50 °C (122 °F).**
7. **Do not incinerate the battery cartridge even if it is severely damaged or is completely worn out. The battery cartridge can explode in a fire.**
8. **Do not nail, cut, crush, throw, drop the battery cartridge, or hit against a hard object to the battery cartridge.** Such conduct may result in a fire, excessive heat, or explosion.
9. **Do not use a damaged battery.**

10. **The contained lithium-ion batteries are subject to the Dangerous Goods Legislation requirements.**

For commercial transports e.g. by third parties, forwarding agents, special requirement on packaging and labeling must be observed. For preparation of the item being shipped, consulting an expert for hazardous material is required. Please also observe possibly more detailed national regulations.

Tape or mask off open contacts and pack up the battery in such a manner that it cannot move around in the packaging.

11. **When disposing the battery cartridge, remove it from the tool and dispose of it in a safe place. Follow your local regulations relating to disposal of battery.**
12. **Use the batteries only with the products specified by Makita.** Installing the batteries to non-compliant products may result in a fire, excessive heat, explosion, or leak of electrolyte.
13. **If the tool is not used for a long period of time, the battery must be removed from the tool.**
14. **During and after use, the battery cartridge may take on heat which can cause burns or low temperature burns. Pay attention to the handling of hot battery cartridges.**
15. **Do not touch the terminal of the tool immediately after use as it may get hot enough to cause burns.**
16. **Do not allow chips, dust, or soil stuck into the terminals, holes, and grooves of the battery cartridge.** It may result in poor performance or breakdown of the tool or battery cartridge.
17. **Unless the tool supports the use near high-voltage electrical power lines, do not use the battery cartridge near a high-voltage electrical power lines.** It may result in a malfunction or breakdown of the tool or battery cartridge.
18. **Keep the battery away from children.**

## SAVE THESE INSTRUCTIONS.

**CAUTION:** Only use genuine Makita batteries. Use of non-genuine Makita batteries, or batteries that have been altered, may result in the battery bursting causing fires, personal injury and damage. It will also void the Makita warranty for the Makita tool and charger.

## Tips for maintaining maximum battery life

- Charge the battery cartridge before completely discharged. Always stop tool operation and charge the battery cartridge when you notice less tool power.
- Never recharge a fully charged battery cartridge. Overcharging shortens the battery service life.
- Charge the battery cartridge with room temperature at 10 °C - 40 °C (50 °F - 104 °F). Let a hot battery cartridge cool down before charging it.
- When not using the battery cartridge, remove it from the tool or the charger.
- Charge the battery cartridge if you do not use it for a long period (more than six months).

## FUNCTIONAL DESCRIPTION

**CAUTION:** Always be sure that the tool is switched off and the battery cartridge is removed before adjusting or checking function on the tool.

### Installing or removing battery cartridge

**CAUTION:** Always switch off the tool before installing or removing of the battery cartridge.

**CAUTION:** Hold the tool and the battery cartridge firmly when installing or removing battery cartridge. Failure to hold the tool and the battery cartridge firmly may cause them to slip off your hands and result in damage to the tool and battery cartridge and a personal injury.

► **Fig.1:** 1. Red indicator 2. Button 3. Battery cartridge

To remove the battery cartridge, slide it from the tool while sliding the button on the front of the cartridge.

To install the battery cartridge, align the tongue on the battery cartridge with the groove in the housing and slip it into place. Insert it all the way until it locks in place with a little click. If you can see the red indicator on the upper side of the button, it is not locked completely.

**CAUTION:** Always install the battery cartridge fully until the red indicator cannot be seen. If not, it may accidentally fall out of the tool, causing injury to you or someone around you.

**CAUTION:** Do not install the battery cartridge forcibly. If the cartridge does not slide in easily, it is not being inserted correctly.

### Indicating the remaining battery capacity

Press the check button on the battery cartridge to indicate the remaining battery capacity. The indicator lamps light up for a few seconds.

► **Fig.2:** 1. Indicator lamps 2. Check button

Indicator lamps			Remaining capacity
Lighted	Off	Blinking	
■ ■ ■ ■			75% to 100%
■ ■ ■	□		50% to 75%
■ ■	□ □		25% to 50%
■	□ □ □		0% to 25%
▬	□ □ □		Charge the battery.
■ ■ □ □			The battery may have malfunctioned.
□ □ ■ ■			

**NOTE:** Depending on the conditions of use and the ambient temperature, the indication may differ slightly from the actual capacity.

**NOTE:** The first (far left) indicator lamp will blink when the battery protection system works.

## Tool / battery protection system

The tool is equipped with a tool/battery protection system. This system automatically cuts off the power to extend tool and battery life. The tool will automatically stop during operation if the tool or battery is placed under one of the following conditions:

### Overload protection

This protection works when the tool or battery is operated in a manner that causes it to draw an abnormally high current. In this situation, turn the tool off and stop the application that caused the tool to become overloaded. Then turn the tool on to restart.

### Overheat protection

This protection works and the lamp blinks when the tool or battery is overheated. In this situation, let the tool and battery cool before turning the tool on again.

### Overdischarge protection

This protection works when the remaining battery capacity gets low. In this situation, remove the battery from the tool and charge the battery.

## Switch action

**CAUTION:** Before installing the battery cartridge into the tool, always check to see that the switch trigger actuates properly and returns to the "OFF" position when released.

To start the tool, simply pull the switch trigger. Tool speed is increased by increasing pressure on the switch trigger. Release the switch trigger to stop.

► **Fig.3:** 1. Switch trigger

**NOTE:** The tool automatically stops if you keep pulling the switch trigger for about 6 minutes.

## Electric brake

This tool is equipped with an electric brake. If the tool consistently fails to quickly stop after the switch trigger is released, have the tool serviced at a Makita service center.

## Lighting up the front lamp

**CAUTION:** Do not look in the light or see the source of light directly.

Pull the switch trigger to light up the lamp. The lamp keeps on lighting while the switch trigger is being pulled. The lamp goes out approximately 10 seconds after releasing the switch trigger.

► **Fig.4:** 1. Lamp

**NOTE:** When the tool is overheated, the tool stops automatically and the lamp starts flashing. In this case, release the switch trigger. The lamp turns off in one minute.

**NOTE:** Use a dry cloth to wipe the dirt off the lens of the lamp. Be careful not to scratch the lens of lamp, or it may lower the illumination.

## Reversing switch action

**CAUTION:** Always check the direction of rotation before operation.

**CAUTION:** Use the reversing switch only after the tool comes to a complete stop. Changing the direction of rotation before the tool stops may damage the tool.

**CAUTION:** When not operating the tool, always set the reversing switch lever to the neutral position.

This tool has a reversing switch to change the direction of rotation. Depress the reversing switch lever from the A side for clockwise rotation or from the B side for counterclockwise rotation.

When the reversing switch lever is in the neutral position, the switch trigger cannot be pulled.

► **Fig.5:** 1. Reversing switch lever

## Speed change

**CAUTION:** Always set the speed change lever fully to the correct position. If you operate the tool with the speed change lever positioned halfway between the "1" side and "2" side, the tool may be damaged.

**CAUTION:** Do not use the speed change lever while the tool is running. The tool may be damaged.

Displayed Number	Speed	Torque	Applicable operation
1	Low	High	Heavy loading operation
2	High	Low	Light loading operation

To change the speed, switch off the tool first. Push the speed change lever to display "2" for high speed or "1" for low speed but high torque. Be sure that the speed change lever is set to the correct position before operation.

If the tool speed is coming down extremely during the operation with display "2", push the lever to display "1" and restart the operation.

► **Fig.6:** 1. Speed change lever

## Adjusting the fastening torque

► **Fig.7:** 1. Adjusting ring 2. Graduation 3. Arrow

The fastening torque can be adjusted in 22 levels by turning the adjusting ring. Align the graduations with the arrow on the tool body. You can get the minimum fastening torque at 1 and maximum torque at 22 marking. The clutch will slip at various torque levels when set at the number 1 to 21. The clutch does not work at the 22 marking.

Before actual operation, drive a trial screw into your material or a piece of duplicate material to determine which torque level is required for a particular application.

The following shows the rough guide of the relationship between the screw size and graduation.

Graduation		1	2	3	4	5	6	7	8	9	10	11	12	13	14	15	16	17	18	19	20	21	
Machine screw		M4					M5					M6											
Wood screw	Soft wood (e.g. pine)	-					ø3.5 x 22					ø4.1 x 38					-						
	Hard wood (e.g. lauan)	-					ø3.5 x 22					ø4.1 x 38					-						

## ASSEMBLY

**CAUTION:** Always be sure that the tool is switched off and the battery cartridge is removed before carrying out any work on the tool.

### Installing or removing driver bit/drill bit

► **Fig.8:** 1. Sleeve 2. Close 3. Open

Turn the sleeve counterclockwise to open the chuck jaws. Place the driver bit/drill bit in the chuck as far as it will go. Turn the sleeve clockwise to tighten the chuck. To remove the driver bit/drill bit, turn the sleeve counterclockwise.

### Installing hook

**CAUTION:** When installing the hook, always secure it with the screw firmly. If not, the hook may come off from the tool and result in the personal injury.

**CAUTION:** Use the hanging/mounting parts for their intended purposes only. Using for unintended purpose may cause accident or personal injury.

► **Fig.9:** 1. Groove 2. Hook 3. Screw

The hook is convenient for temporarily hanging the tool. This can be installed on either side of the tool. To install the hook, insert it into a groove in the tool housing on either side and then secure it with a screw. To remove, loosen the screw and then take it out.

**NOTICE:** When hanging the tool on your belt using the hook, remove the driver bit/drill bit and the side grip.

### Installing driver bit holder

**Optional accessory**

► **Fig.10:** 1. Driver bit holder 2. Driver bit

Fit the driver bit holder into the protrusion at the tool foot on either right or left side and secure it with a screw. When not using the driver bit, keep it in the driver bit holders. Driver bits 45 mm-long can be kept there.

### Installing side grip (auxiliary handle)

**Optional accessory**

► **Fig.11:** 1. Protrusion 2. Arm 3. Recess 4. Grip

Insert the side grip so that the protrusions on the arm fit in the recesses on the tool. Then tighten the grip by turning clockwise.

Depending the operations, you can install the side grip either right or left side of the tool.

## OPERATION

**CAUTION:** Always insert the battery cartridge all the way until it locks in place. If you can see the red indicator on the upper side of the button, it is not locked completely. Insert it fully until the red indicator cannot be seen. If not, it may accidentally fall out of the tool, causing injury to you or someone around you.

**CAUTION:** When the speed comes down extremely, reduce the load or stop the tool to avoid the tool damage.

Hold the tool firmly with one hand on the grip and the other hand on the bottom of the battery cartridge to control the twisting action.



## Screwdriving operation

**⚠ CAUTION:** Adjust the adjusting ring to the proper torque level for your work.


**⚠ CAUTION:** Make sure that the driver bit is inserted straight in the screw head, or the screw and/or driver bit may be damaged.

Place the point of the driver bit in the screw head and apply pressure to the tool. Start the tool slowly and then increase the speed gradually. Release the switch trigger as soon as the clutch cuts in.

▶ Fig.12

**NOTE:** When driving wood screw, pre-drill a pilot hole 2/3 the diameter of the screw. It makes driving easier and prevents splitting of the workpiece.

## Drilling operation

First, turn the adjusting ring so that the arrow points to the  marking. Then proceed as follows.

### Drilling in wood

When drilling in wood, the best results are obtained with wood drills equipped with a guide screw. The guide screw makes drilling easier by pulling the drill bit into the workpiece.

### Drilling in metal

To prevent the drill bit from slipping when starting a hole, make an indentation with a center-punch and hammer at the point to be drilled. Place the point of the drill bit in the indentation and start drilling.

Use a cutting lubricant when drilling metals. The exceptions are iron and brass which should be drilled dry.

**⚠ CAUTION:** Pressing excessively on the tool will not speed up the drilling. In fact, this excessive pressure will only serve to damage the tip of your drill bit, decrease the tool performance and shorten the service life of the tool.

**⚠ CAUTION:** Hold the tool firmly and exert care when the drill bit begins to break through the workpiece. There is a tremendous force exerted on the tool/drill bit at the time of hole break through.

**⚠ CAUTION:** A stuck drill bit can be removed simply by setting the reversing switch to reverse rotation in order to back out. However, the tool may back out abruptly if you do not hold it firmly.

**⚠ CAUTION:** Always secure workpieces in a vise or similar hold-down device.

**⚠ CAUTION:** If the tool is operated continuously until the battery cartridge has discharged, allow the tool to rest for 15 minutes before proceeding with a fresh battery.

## MAINTENANCE

**⚠ CAUTION:** Always be sure that the tool is switched off and the battery cartridge is removed before attempting to perform inspection or maintenance.

**NOTICE:** Never use gasoline, benzine, thinner, alcohol or the like. Discoloration, deformation or cracks may result.

To maintain product SAFETY and RELIABILITY, repairs, any other maintenance or adjustment should be performed by Makita Authorized or Factory Service Centers, always using Makita replacement parts.

## OPTIONAL ACCESSORIES

**⚠ CAUTION:** These accessories or attachments are recommended for use with your Makita tool specified in this manual. The use of any other accessories or attachments might present a risk of injury to persons. Only use accessory or attachment for its stated purpose.

If you need any assistance for more details regarding these accessories, ask your local Makita Service Center.

- Drill bits
- Driver bits
- Driver bit holder
- Hook
- Side grip
- Makita genuine battery and charger

**NOTE:** Some items in the list may be included in the tool package as standard accessories. They may differ from country to country.

## TEHNIČNI PODATKI

<b>Model:</b>		<b>DF002G</b>
Vrtalne zmogljivosti	Jeklo	13 mm
	Les	Nastavek z vrtalnim polžem: 38 mm Nastavek za samodejno podajanje: 38 mm Vbodna žaga: 51 mm
Zatezne zmogljivosti	Lesni vijak	10 x 90 mm
	Strojni vijak	M6
Hitrost brez obremenitve (vrt/min)	Visoka (2)	0 – 2.200 min <sup>-1</sup>
	Nizka (1)	0 – 600 min <sup>-1</sup>
Celotna dolžina		164 mm
Nazivna napetost		D.C. največ 36 V – 40 V
Neto teža		1,9 – 2,8 kg

- Ker nenehno opravljamo raziskave in razvijamo svoje izdelke, se lahko tehnični podatki v tem dokumentu spremenijo brez obvestila.
- Tehnični podatki se lahko razlikujejo od države do države.
- Teža se lahko razlikuje glede na priključke, vključno z akumulatorsko baterijo. Najlažja in najtežja kombinacija v skladu s postopkom EPTA 01/2014 sta prikazani v preglednici.

### Uporabna akumulatorska baterija in polnilnik

Baterijski vložek	BL4020* / BL4025* / BL4040* / BL4050F * : Priporočeni akumulator
Polnilnik	DC40RA / DC40RB / DC40RC

- Nekatere zgoraj navedene akumulatorske baterije in polnilniki morda v vaši državi prebivališča niso na voljo.

**⚠ OPOZORILO:** Uporabljajte le zgoraj navedene akumulatorske baterije in polnilnike. Uporaba drugih akumulatorskih baterij in polnilnikov lahko povzroči telesne poškodbe in/ali požar.

### Predvidena uporaba

Orodje je namenjeno za vrtnanje in vijačenje v les, kovino in plastiko.

### Hrup

Običajna A-ovrednotena raven hrupa v skladu z EN62841-2-1:

Raven zvočnega tlaka ( $L_{pA}$ ): 78 dB (A)

Odstopanje (K): 3 dB (A)

Nivo hrupa med delom lahko preseže 80 dB (A).

**OPOMBA:** Navedene vrednosti oddajanja hrupa so bile izmerjene v skladu s standardnimi metodami testiranja in se lahko uporabljajo za primerjavo orodij.

**OPOMBA:** Navedene vrednosti oddajanja hrupa se lahko uporabljajo tudi pri predhodni oceni izpostavljenosti.

**⚠ OPOZORILO:** Uporabljajte zaščito za sluh.

**⚠ OPOZORILO:** Oddajanje hrupa med dejansko uporabo električnega orodja se lahko razlikuje od navedenih vrednosti, odvisno od načina uporabe orodja in predvsem vrste obdelovanca.

**⚠ OPOZORILO:** Upravljalavec mora za lastno zaščito poznati varnostne ukrepe, ki temeljijo na oceni izpostavljenosti v dejanskih pogojih uporabe (poleg časa proženja je treba upoštevati celoten delovni cikel, vključno s časom, ko je orodje izklopljeno, in časom, ko deluje v prostem teku).

### Vibracije

Skupne vrednosti vibracij (vektorska vsota treh osi) v skladu z EN62841-2-1:

Delovni način: vrtnanje v kovino

Emisije vibracij ( $a_{h,D}$ ): 2,5 m/s<sup>2</sup> ali manj

Odstopanje (K): 1,5 m/s<sup>2</sup>

**OPOMBA:** Navedene skupne vrednosti oddajanja vibracij so bile izmerjene v skladu s standardnimi metodami testiranja in se lahko uporabljajo za primerjavo orodij.

**OPOMBA:** Navedene skupne vrednosti oddajanja vibracij se lahko uporabljajo tudi pri predhodni oceni izpostavljenosti.

**⚠ OPOZORILO:** Oddajanje vibracij med dejansko uporabo električnega orodja se lahko razlikuje od navedenih vrednosti, odvisno od načina uporabe orodja in predvsem vrste obdelovanca.

**⚠ OPOZORILO:** Upravljalavec mora za lastno zaščito poznati varnostne ukrepe, ki temeljijo na oceni izpostavljenosti v dejanskih pogojih uporabe (poleg časa proženja je treba upoštevati celoten delovni cikel, vključno s časom, ko je orodje izklopljeno, in časom, ko deluje v prostem teku).

## Izjava o skladnosti ES

### Samo za evropske države

Izjava ES o skladnosti je vključena v dodatku A, ki je priložen tem navodilom za uporabo.

## VARNOSTNA OPOZORILA

### Splošna varnostna opozorila za električno orodje

**⚠ OPOZORILO:** Preberite vsa varnostna opozorila in navodila s slikami in tehničnimi podatki, ki so dobavljeni skupaj z električnim orodjem. Ob neupoštevanju spodaj navedenih navodil obstaja nevarnost električnega udara, požara in/ali hudih telesnih poškodb.

### Shranite vsa opozorila in navodila za poznejšo uporabo.

Izraz „električno orodje“ v opozorilih se nanaša na vaše električno orodje (s kablom) ali baterijsko električno orodje (brez kabla).

### Varnostna opozorila za brezžični vijak in vrtalnik

#### Varnostna navodila za vse načine uporabe

1. Če obstaja nevarnost, da bi z rezalnim pripomočkom ali sponkami prerezali skrito električno napeljavo, držite električno orodje na izoliranih držalnih površinah. Ob stiku rezalnega pripomočka ali sponk z vodniki pod napestjo dobijo napetost vsi neizolirani kovinski deli električnega orodja, zaradi česar lahko uporabnik utrpi električni udar.
2. Vedno zagotovite, da imate trden oprijem na podlagi, kjer stojite. Kadar uporabljate orodje na višini, se prepričajte, da spodaj ni nikogar.
3. Trdno držite orodje.
4. Ne približujte rok vrtečim se delom.
5. Orodja ne pustite delovati brez nadzora. Dovoljeno ga je uporabljati samo ročno.
6. Neposredno po končani obdelavi se ne dotikajte vrtalnega nastavka, obdelovanca ali ostružkov; lahko so zelo vroči in se lahko z njimi opečete.
7. Nekateri materiali vsebujejo kemikalije, ki so lahko strupene. Bodite previdni in preprečite vdihavanje prahu in stik s kožo. Upoštevajte varnostne podatke dobavitelja materiala.
8. Če vrtalnega nastavka ni mogoče sprostiti, niti ko odprete čeljusti, ga izvlecite s kleščami. V takšnih primerih se lahko pri vlečenju vrtalnega nastavka z roko poškodujete ob ostrem robu nastavka.
9. Prepričajte se, da v bližini ni električnih kablov, vodovodnih cevi, plinskih cevi in drugih elementov, ki bi predstavljali nevarnost, če bi jih poškodovali z orodjem.

#### Varnostna navodila za uporabo dolgih vrtalnih nastavkov

1. Nikoli ne uporabljajte vrtalnega nastavka pri hitrosti, ki je višja od njegove največje nazivne hitrosti. Pri višjih hitrostih se lahko nastavek ukrivi, če se prosto vrtil brez stika z obdelovancem, zaradi česar lahko pride do telesnih poškodb.
2. Vedno začnite vrtati pri nizki hitrosti, pri čemer mora biti konica nastavka v stiku z obdelovancem. Pri višjih hitrostih se lahko nastavek ukrivi, če se prosto vrtil brez stika z obdelovancem, zaradi česar lahko pride do telesnih poškodb.
3. Na orodje pritiskajte samo v smeri nastavka in ne uporabite prekomerne sile. Nastavki se lahko ukrivijo, zaradi česar lahko pride do zloma ali izgube nadzora ter posledično tudi do telesnih poškodb.

### SHRANITE TA NAVODILA.

**⚠ OPOZORILO:** NE dovolite, da bi zaradi udobnejšega dela ali znanja o uporabi izdelka (pridobljenega z večkratno uporabo) opustili strogo upoštevanje varnostnih zahtev v okviru pravilne uporabe orodja. ZLORABA ali neupoštevanje varnostnih zahtev v teh navodilih za uporabo lahko povzroči resne telesne poškodbe.

### Pomembna varnostna navodila za akumulatorsko baterijo

1. Pred uporabo baterijskega vložka preberite vsa navodila in opozorilne oznake na (1) polnilniku akumulatorja, (2) akumulatorju in (3) izdelku, ki uporablja akumulator.
2. Ne razstavljajte ali spreminjajte akumulatorske baterije. S tem lahko povzročite požar, prekomerno vročino ali eksplozijo.
3. Če se je čas delovanja občutno skrajšal, takoj prenehajte uporabljati orodje. V nasprotnem primeru lahko pride do pregretja, morebitnih opeklin in celo eksplozije.
4. Če pride elektrolit v stik z očmi, jih sperite s čisto vodo in takoj poiščite zdravniško pomoč. Posledica je lahko izguba vida.
5. Ne povzročite kratkega stika baterijskega vložka:
  - (1) Ne dotikajte se priključkov s kakršnim koli prevodnim materialom.
  - (2) Izogibajte se shranjevanju baterijskega vložka v vsebniku z drugimi kovinskimi predmeti kot so žebli, kovanci itn.
  - (3) Ne izpostavljajte baterijskega vložka vodi ali dežju.Kratek stik akumulatorja lahko povzroči velik električni tok, pregrevanje, morebitne opeklino in celo okvaro.
6. Ne shranjujte in uporabljajte orodja in akumulatorske baterije na mestih, kjer lahko temperatura doseže ali preseže 50 °C (122 °F).
7. Ne sežigajte baterijskega vložka, tudi če je hudo poškodovan ali v celoti izpraznjen. Baterijski vložek lahko v ognju eksplodira.
8. Ne pribijajte, režite, drobite, mečite, spuščajte akumulatorske baterije oziroma ne udarjajte z akumulatorsko baterijo po trdem predmetu. Takšno ravnanje lahko povzroči požar, prekomerno vročino ali eksplozijo.

9. Ne uporabljajte poškodovanih akumulatorjev.
10. Priložene litij-ionske baterije ustrezajo zahtevam zakonodaje v zvezi z nevarnim blagom. Za komercialne prevoze, npr. tiste, ki jih opravljajo tretje stranke in carinski posredniki, je treba upoštevati posebne zahteve v zvezi z embalažo in označevanjem. Med postopkom priprave na odpremo izdelka se je treba posvetovati s strokovnjakom za nevarne snovi. Pri tem upoštevajte tudi podrobnejše nacionalne predpise. Odprte stike oblepite z lepilnim trakom ali jih drugače zaščitite, baterijo pa zapakirajte tako, da se v embalaži ne more premikati.
11. Ko odstranjujete akumulatorsko baterijo, jo vzemite iz orodja in varno zavrzite. Upoštevajte lokalne uredbe glede odlaganja baterije.
12. Baterije uporabljajte le z izdelki, ki jih določi Makita. Če namestite baterije v neskladne izdelke, lahko pride do požara, pregrevanja, eksplozije ali puščanja elektrolita.
13. Če orodja dlje časa ne uporabljate, morate iz njega odstraniti baterijo.
14. Med uporabo in po uporabi lahko akumulatorska baterija postane vroča in povzroči opekline. Z vročimi akumulatorskimi baterijami ravnajte pazljivo.
15. Ne dotikajte se priključka orodja takoj po uporabi, ker se lahko dovolj segreje, da povzroči opekline.
16. Ne dovolite, da bi se v priključke, odprtine in utore akumulatorske baterije zleplili ostružki, prah ali zemlja. Umazanija lahko povzroči slabše delovanje ali okvaro orodja oziroma akumulatorske baterije.
17. Razen če orodje podpira uporabo v bližini visokonapetostnih električnih vodov, akumulatorske baterije ne uporabljajte v bližini visokonapetostnih električnih vodov. Takšna uporaba lahko povzroči motnje v delovanju ali okvaro orodja oziroma akumulatorske baterije.
18. Baterijo hranite izven dosega otrok.

## SHRANITE TA NAVODILA.

**⚠️ POZOR:** Uporabljajte le originalne baterije Makita. Če uporabljate neoriginalne baterije Makita ali baterije, ki so bile spremenjene, lahko pride do eksplozije baterije in posledično do požara, telesnih poškodb ali materialne škode. S takšno uporabo boste tudi razveljavili garancijo Makita za orodje in polnilnik Makita.

## Nasveti za ohranjanje največje zmogljivosti akumulatorja

1. Napolnite baterijski vložek, preden se v celoti izprazni. Ko opazite, da ima orodje manjšo moč, vedno ustavite delovanje orodja in napolnite baterijski vložek.
2. Nikoli znova ne polnite popolnoma napolnjenega baterijskega vložka. Prenapolnjenje skrajša življenjsko dobo akumulatorja.
3. Baterijski vložek s sobno temperaturo polnite pri temperaturi okolja od 10 °C do 40 °C. Počakajte, da se vroč baterijski vložek pred polnjenjem ohladi.
4. Ko akumulatorske baterije ne uporabljate, jo odstranite iz orodja ali polnilnika.
5. Če baterijskega vložka ne uporabljate dalj časa (več kot 6 mesecev), ga napolnite.

## OPIS DELOVANJA

**⚠️ POZOR:** Pred nastavljanjem ali preizkusom delovanja orodja se prepričajte, ali je orodje izključeno in ali je akumulatorska baterija odstranjena.

### Nameščanje ali odstranjevanje akumulatorske baterije

**⚠️ POZOR:** Vedno izklopite orodje, preden namestite ali odstranite akumulatorsko baterijo.

**⚠️ POZOR:** Kadar nameščate ali odstranjujete akumulatorsko baterijo, trdno držite orodje in akumulatorsko baterijo. Če orodja in akumulatorske baterije ne držite trdno, se lahko zgodi, da vam zdrsneto iz rok, posledica pa je lahko poškodba orodja in akumulatorske baterije ter telesna poškodba.

► **SI.1:** 1. Rdeči indikator 2. Gumb 3. Baterijski vložek

Če želite odstraniti akumulatorsko baterijo, jo potisnete iz orodja, pri tem pa pomikajte gumb na sprednji strani vložka.

Akumulatorsko baterijo vstavite tako, da poravnate jeziček na bateriji z utorom na ohišju in jo potisnete v ležišče. Potisnite jo do konca, da se zaskoči. Če je rdeči indikator na zgornji strani gumba viden, pomeni, da baterija ni ustrezno zaklenjena.

**⚠️ POZOR:** Vedno namestite akumulatorsko baterijo tako, da rdeči indikator ni več viden. Če tega ne upoštevate, lahko baterija nepričakovano pade iz orodja in poškoduje vas ali osebe v neposredni bližini.

**⚠️ POZOR:** Ne nameščajte akumulatorske baterije s silo. Če se akumulatorska baterija ne zaskoči zlahka, ni pravilno vstavljena.

### Prikazuje preostalo raven napoljenosti akumulatorja

Pritisnite gumb za preverjanje na baterijskem vložku, da preverite raven napoljenosti akumulatorja. Indikatorske lučke na kratko zasvetijo.

► **SI.2:** 1. Indikatorske lučke 2. Gumb za preverjanje

Indikatorske lučke			Prikaz preostale ravni napoljenosti
Sveti	Ne sveti	Utripa	
■	□	▬	od 75 % do 100 %
■	■	□	od 50 % do 75 %
■	■	□	od 25 % do 50 %
■	□	□	od 0 % do 25 %
▬	□	□	Napolnite akumulator.
■	■	□	Akumulator je morda okvarjen.
□	□	■	

**OPOMBA:** Odvisno od pogojev uporabe in okoljske temperature se označba lahko nekoliko razlikuje od dejanske napolnjenosti.

**OPOMBA:** Prva opozorilna lučka (skrajno levo) bo utripala, ko sistem za zaščito akumulatorja deluje.

## Zaščitni sistem orodja/akumulatorja

Orodje je opremljeno z zaščitnim sistemom za orodje/akumulator. Sistem samodejno prekine napajanje, da podaljša življenjsko dobo orodja in akumulatorja. Orodje se samodejno zaustavi med delovanjem, če orodje ali akumulator delujeta pod naslednjimi pogoji:

### Zaščita pred preobremenitvijo

Ta zaščita deluje, kadar orodje ali akumulator uporabljate na način, ki povzroča neobičajno visoko porabo toka. V tem primeru izklopite orodje in prekinite delo, ki je povzročilo preobremenitev orodja. Nato vklopite orodje, da ga znova zaženete.

### Zaščita pred pregrevanjem

Ta zaščita deluje in lučka utripa, kadar sta orodje ali akumulator pregreta. V tem primeru počakajte, da se orodje in akumulator ohladita, preden znova vklopite orodje.

### Zaščita pred izpraznjenjem

Ta zaščita deluje, ko se zmanjša zmogljivost baterije. V tem primeru odstranite akumulator iz orodja in ga napolnite.

## Delovanje stikala

**⚠️ POZOR:** Preden vstavite akumulatorsko baterijo v orodje, se vedno prepričajte, da stikalo deluje brezhibno in se vrača v položaj za izklop (OFF), ko ga spustite.

Za zagon orodja povlecite sprožilno stikalo. Hitrost orodja se poveča za povečani tlak na sprožilnem stikalu. Za izklop spustite stikalo.

► **SI.3:** 1. Sprožilno stikalo

**OPOMBA:** Orodje se samodejno ustavi, če držite sprožilno stikalo pritisnjeno približno 6 minut.

## Električna zavora

Orodje je opremljeno z električno zavoro. Če se orodje po sprostitvi sprožilca ni zmožno hitro zaustaviti, odnesite orodje na popravilo v servisni center Makita.

## Vklop sprednje lučke

**⚠️ POZOR:** Ne glejte neposredno v lučko ali vir svetlobe.

Za vklop svetilke pritisnite sprožilno stikalo. Lučka sveti, dokler je pritisnjeno sprožilno stikalo. Lučka se izklopi približno 10 sekund zatem, ko spustite sprožilno stikalo.

► **SI.4:** 1. Lučka

**OPOMBA:** Če je orodje pregreto, se samodejno ustavi in lučka začne utripati. V tem primeru izpusnite sprožilno stikalo. Lučka ugasne v eni minuti.

**OPOMBA:** Uporabite suho krpo, da obrišete umazanijo z leče lučke. Pazite, da ne opraskate stekla lučke, ker praske občutno zmanjšajo svetilnost.

## Stikalo za preklop smeri vrtenja

**⚠️ POZOR:** Pred obratovanjem vedno preverite smer vrtenja.

**⚠️ POZOR:** Stikalo za spreminjanje smeri vrtenja uporabite šele, ko se stroj popolnoma ustavi. Če smer vrtenja spremenite, preden se stroj ustavi, se ta lahko poškoduje.

**⚠️ POZOR:** Ko orodja ne uporabljate, vedno potisnite preklopno stikalo v nevtralen položaj.

To orodje je opremljeno s preklopnikom za spremembo smeri vrtenja. Ročico preklopnika smeri vrtenja pritisnite v smeri A za vrtenje v smeri urnega kazalca in v smeri B za vrtenje v obratni smeri urnega kazalca.

Ko je preklopno stikalo v nevtralnem položaju, se glavnega stikala ne da premakniti.

► **SI.5:** 1. Ročica za preklop smeri vrtenja

## Spreminjanje hitrosti

**⚠️ POZOR:** Ročico za spreminjanje hitrosti vedno potisnite do konca v pravilen položaj. Če vklopite orodje, medtem ko je ročica za spremembo hitrosti v vmesnem položaju med oznakama „1“ in „2“, lahko pride do okvare orodja.

**⚠️ POZOR:** Ročice za spreminjanje hitrosti ne premikajte med delovanjem orodja. Orodje se lahko poškoduje.


Prikazana številka	Hitrost	Navor	Namenska uporaba
1	Nizka	Visoka	Uporaba pri težji obremenitvi
2	Visoka	Nizka	Uporaba pri lažji obremenitvi


Če želite spremeniti hitrost, najprej izklopite orodje. Potisnite ročico za spreminjanje hitrosti na „2“ za visoko hitrost ali „1“ za nizko hitrost, vendar z visokim navorom. Pred obratovanjem preverite, ali je ročica za spreminjanje hitrosti vrtenja nastavljena v pravilen položaj. Če se hitrost orodja med delovanjem na stopnji „2“ izjemno zmanjša, premaknite ročico na „1“ in znova začinite z delom.

► **SI.6:** 1. Ročica za spreminjanje hitrosti

## Nastavitev zateznega momenta

► **Sl.7:** 1. Nastavitveni obroč 2. Stopnja 3. Puščica

Zatezni moment lahko z obračanjem nastavitvenega obroča nastavite na 22 stopenj. Poravnajte stopnje s puščico na ohišju orodja. Najmanjši zatezni moment je pri stopnji 1, največji pa pri oznaki .

Če je sklopka v položaju od 1 do 21, bo zdrsnila pri različnih stopnjah zateznega momenta. Pri oznaki  sklopka ne deluje.

Pred dejanskim začetkom dela privijte v vzorčni kos materiala vijak, da ugotovite, katera stopnja zateznega momenta je najustreznejša.

V nadaljevanju si poglejte okvirni vodnik razmerja med velikostjo vijaka in stopnjo privijanja.

Stopnja	1	2	3	4	5	6	7	8	9	10	11	12	13	14	15	16	17	18	19	20	21	
Strojni vijak	M4					M5										M6						
Lesni vijak	Mehak les (npr. borovec)	–					φ3,5 x 22					φ4,1 x 38					–					
	Trd les (npr. lauan)	–					φ3,5 x 22					φ4,1 x 38					–					

## MONTAŽA

**⚠ POZOR:** Pred vsako izvedbo dela na orodju se prepričajte, da je le to izključeno in da je akumulatorska baterija odstranjena.

### Vstavljanje in odstranjevanje vijačnih/vrtalnih nastavkov

► **Sl.8:** 1. Zaporni obroč 2. Zapiranje 3. Odpiranje

Razprite čeljusti vpenjalne glave tako, da zaporni obroč zavrtite v nasprotni smeri urnega kazalca. Vstavite vijačni/vrtalni nastavek v vpenjalno glavo in ga potisnite do konca. Zategnite vpenjalno glavo tako, da zaporni obroč zavrtite v smeri urnega kazalca. Vijačni/vrtalni nastavek odstranite tako, obrnete zaporni obroč v nasprotni smeri urnega kazalca.

### Nameščanje kavlja

**⚠ POZOR:** Kavelj pri nameščanju vedno močno zategnite z vijakom. Če ga ne zategnete, se lahko kavelj sname z orodja in povzroči telesne poškodbe.

**⚠ POZOR:** Uporabite dele za obešanje/nastavke samo za njihove predvidene namene. Če jih uporabite za namene, ki niso predvideni, lahko pride do nesreče ali hudih telesnih poškodb.

► **Sl.9:** 1. Vdolbina 2. Kavelj 3. Vijak

Kavelj je priložen pripomoček za začasno obešanje stroja. Namestite ga lahko na katero koli stran stroja. Kavelj vstavite v utor na levi ali desni strani ohišja stroja in ga privijte z vijakom. Odstranite ga tako, da odvijete vijak in ga izvlečete.

**OBVESTILO:** Ko obesite orodje na pas s kavljem, odstranite vijačni nastavek/vrtalni nastavek in stranski ročaj.

### Nameščanje držala vijačnih nastavkov

**Dodatna oprema**

► **Sl.10:** 1. Držalo vijačnih nastavkov 2. Vijačni nastavek

Namestite držalo vijačnih nastavkov v zarezo na podstavku orodja na desno ali levo stran in ga pritrdite z vijakom.

Kadar ne uporabljate vijačnega nastavka, ga hranite v držalu vijačnih nastavkov. Držalo omogoča shranjevanje vijačnih nastavkov dolžine 45 mm.

### Nameščanje stranskega ročaja (pomožni ročaj)

**Dodatna oprema**

► **Sl.11:** 1. Izbočeni del 2. Roka 3. Vdolbina 4. Držalo

Vstavite stranski ročaj, tako da se izbočeni deli na roki prilegajo vdolbinam na orodju. Nato privijte ročaj, tako da ga zavrtite v smeri urnega kazalca.

Glede na uporabo lahko namestite stranski ročaj na desno ali levo stran orodja.

## UPRAVLJANJE

**⚠ POZOR:** Akumulatorsko baterijo vedno vstavite do konca, tako da se zaskoči. Če je na zgornji strani gumba viden rdeč indikator, pomeni, da baterija ni ustrezno zaskočena. Vstavite jo do konca, tako da rdečega indikatorja ni mogoče videti. V nasprotnem primeru se lahko akumulatorska baterija sname z orodja in poškoduje vas ali osebe v neposredni bližini.

**⚠ POZOR:** Če se hitrost močno zniža, zmanjšajte obremenitev ali ustavite orodje, da preprečite poškodbo orodja.

Orodje trdno držite z eno roko na ročaju in z drugo ob vznožju akumulatorske baterije, da lahko nadzorujete zvižanje.

## Vijačenje

**⚠️ POZOR:** Nastavitveni obroč nastavite na ustrezen zatezni moment.


**⚠️ POZOR:** Pazite, da bo vijačni nastavek vstavljen naravnost v glavo vijaka. V nasprotnem primeru se vijak in/ali vijačni nastavek lahko poškodujeta.

Postavite konico vijačnega nastavka v glavo vijaka in pritisnite na orodje. Počasi zaženite orodje in nato postopno povečujte hitrost. Ko se vklopi zdrsa sklopka, spustite stikalo za vklop.

► SI.12

**OPOMBA:** Kadar privijate lesni vijak, najprej izvrтайте vodilno luknjo s premerom 2/3 vijaka. S tem boste olajšali vijačenje in preprečili razcep obdelovanca.

## Vrtanje

Najprej zavrtite nastavitveni obroč tako, da bo puščica obrnjena proti oznaki . Nato nadaljujte, kot je opisano v nadaljevanju.

### Vrtanje v les

Pri vrtanju v les dosežete najboljše rezultate z lesnimi svetri, ki so opremljeni s centrirno konico. Centrirna konica olajša vrtanje, saj pospeši prodiranje vrtnega nastavka v les.

### Vrtanje v kovino

Pri vrtanju v kovine uporabite točkalo, s katerim si označite točko vrtanja in tako preprečite zdrs vrtnega nastavka ob začetku vrtanja. Postavite konico vrtnega nastavka v vdolbino in začnite vrtati.

Kadar vrtate v kovino, uporabite mazivo za rezanje. Pri vrtanju v železo in medenino mazivo ni potrebno.

**⚠️ POZOR:** Čezmerno pritiskanje na orodje ne bo pospešilo napredovanja nastavka med vrtanjem. Nasprotno, s čezmernim pritiskanjem se poškoduje konica vrtnega nastavka, kar zmanjša učinkovitost delovanja ter skrajša življenjsko dobo orodja.

**⚠️ POZOR:** Trdno držite orodje in bodite previdni, ko začne vrtni nastavek prebijati obdelovanca. Po prevrtanju materiala delujejo na orodje oz. vrtni nastavek izjemno visoke sile.

**⚠️ POZOR:** Zagozdeni vrtni nastavek lahko enostavno odstranite, tako da nastavite stikalo za spremembo smeri v položaj za vrtanje v obratno smer. Vseeno pa lahko orodje nenadoma sune nazaj, če ga ne držite trdno.

**⚠️ POZOR:** Obdelovance vedno vpnite v premež ali podobno napravo za držanje.

**⚠️ POZOR:** Če orodje neprekinjeno deluje, dokler se akumulatorska baterija ne izprazni, pustite orodje mirovati 15 minut in šele nato nadaljujte z novo baterijo.

## VZDRŽEVANJE

**⚠️ POZOR:** Preden se lotite pregledovanja ali vzdrževanja orodja, se vedno prepričajte, da je orodje izklopljeno in akumulatorska baterija odstranjena.

**OBVESTILO:** Nikoli ne uporabljajte bencina, razredčila, alkohola ali podobnega sredstva. V tem primeru se lahko orodje razbarva ali deformira oziroma lahko nastanejo razpoke.

VARNO in ZANESLJIVO delovanje tega izdelka bo zagotovljeno le, če boste popravila, vzdrževanje in nastavitve prepustili pooblaščenemu servisu za orodja Makita ali tovarniškemu osebju, ki vgrajuje izključno originalne nadomestne dele.

## DODATNA OPREMA

**⚠️ POZOR:** Ta dodatni pribor ali pripomočki so predvideni za uporabo z orodjem Makita, ki je opisano v teh navodilih za uporabo. Pri uporabi drugega pribora ali pripomočkov obstaja nevarnost telesnih poškodb. Dodatni pribor ali pripomočke uporabljajte samo za navedeni namen.

Za več informacij o dodatni opremi se obrnite na najbližji pooblaščen servis za orodja Makita.

- Vrtni nastavki
- Vijačni nastavki
- Držalo vijačnih nastavkov
- Kavelj
- Stranski ročaj
- Originalna akumulator in polnilnik Makita

**OPOMBA:** Nekateri predmeti na seznamu so lahko priloženi orodju kot standardna dodatna oprema. Lahko se razlikujejo od države do države.



## SPECIFIKIMET

<b>Modeli:</b>		<b>DF002G</b>
Kapacitetet e shpimit	Çelik	13 mm
	Dru	Punto turjelë: 38 mm Punto me vetëfurnizim: 38 mm Sharrë për vrima: 51 mm
Kapacitetet shtrënguese	Vidë druri	10 mm x 90 mm
	Vidë makinerie	M6
Shpejtësia pa ngarkesë (RPM)	E lartë (2)	0 - 2 200 min <sup>-1</sup>
	E ulët (1)	0 - 600 min <sup>-1</sup>
Gjatësia totale		164 mm
Tensioni nominal		D.C. 36 V - 40 V maks.
Pesha neto		1,9 - 2,8 kg

- Për shkak të programit tonë të vazhdueshëm të kërkim-zhvillimit, specifikimet që jepen këtu mund të ndryshojnë pa dhënë njoftim.
- Specifikimet mund të ndryshojnë nga njëri shtet në tjetrin.
- Pesha mund të ndryshojë në varësi të aksesorit(ëve), përfshirë kutinë e baterisë. Kombinimi më i lehtë dhe më i rëndë, sipas Procedurës EPTA 01/2014, tregohet në tabelë.

## Kutia e aplikueshme e baterisë dhe karikuesi

Kutia e baterisë	BL4020* / BL4025* / BL4040* / BL4050F * : Bateria e rekomanduar
Karikuesi	DC40RA / DC40RB / DC40RC

- Disa prej kutive të baterive dhe karikuesve të renditura më lart mund të mos jenë të disponueshme në varësi të zonës ku ju banoni.

**⚠ PARALAJMËRIM:** Përdorni vetëm kutitë e baterisë dhe karikuesit e listuar më lart. Përdorimi i karikuesve dhe kutive të tjera të baterisë mund të shkaktojë lëndim dhe/ose zjarr.

## Përdorimi i synuar

Pajisja është synuar për shpim dhe vendosje të vidave në dru, metal dhe plastikë.

## Zhurma

Niveli tipik i zhurmës A, i matur sipas EN62841-2-1:

Niveli i presionit të zhurmës (L<sub>PA</sub>) : 78 dB (A)

Pasiguria (K): 3 dB (A)

Niveli i zhurmës mund të tejkalojë 80 dB (A).

**SHËNIM:** Vlerat e deklaruar totale të emetimeve të zhurmës janë matur sipas një metode standarde testimi dhe mund të përdoren për të krahasuar një vegël me një tjetër.

**SHËNIM:** Vlerat e deklaruar totale të emetimeve të zhurmës mund të përdoren për një vlerësim paraprak të ekspozimit.

**⚠ PARALAJMËRIM:** Mbani mbrojtëse për veshët.

**⚠ PARALAJMËRIM:** Emetimet e zhurmës gjatë përdorimit aktual të veglës elektrike mund të ndryshojnë nga vlerat e deklaruar në varësi të mënyrave sesi përdoret vegla, veçanërisht nga lloji i materialit të punës që përdoret.

**⚠ PARALAJMËRIM:** Vërtetoni që masat e sigurisë për mbrojtjen e përdoruesit bazohen në vlerësimin e ekspozimit ndaj kushteve aktuale të përdorimit (duke marrë parasysh të gjitha pjesët e ciklit të funksionimit si ato kur pajisja është e fikur dhe punon pa prerë ashtu edhe kohën e përdorimit).

## Dridhja

Vlera totale e dridhjeve (shuma e vektorit me tre akse) përcaktohet sipas EN62841-2-1:  
Regjimi i punës: shpimi në metal  
Emetimi i dridhjeve (a<sub>h,D</sub>) : 2,5 m/s<sup>2</sup> ose më pak  
Pasiguria (K): 1,5 m/s<sup>2</sup>

**SHËNIM:** Vlerat e deklaruar totale të dridhjeve janë matur sipas një metode standarde testimi dhe mund të përdoren për të krahasuar një vegël me një tjetër.

**SHËNIM:** Vlerat e deklaruar totale të dridhjeve mund të përdoren për një vlerësim paraprak të ekspozimit.



**⚠️ PARALAJMËRIM:** Emetimet e dridhjeve gjatë përdorimit aktual të veglës elektrike mund të ndryshojnë nga vlerat e deklaruara në varësi të mënyrave sesi përdoret vegla, veçanërisht nga lloji i materialit të punës që përdoret.

**⚠️ PARALAJMËRIM:** Vërtetoni që masat e sigurisë për mbrojtjen e përdoruesit bazohen në vlerësimin e ekspozimit ndaj kushteve aktuale të përdorimit (duke marrë parasysh të gjitha pjesët e ciklit të funksionimit si ato kur pajisja është e fikur dhe punon pa prerë ashtu edhe kohën e përdorimit).

## Deklarata e konformitetit me KE-në

### Vetëm për shtetet evropiane

Deklarata e konformitetit me KE-në përfshihet si Shtojca A në këtë manual përdorimi.

## PARALAJMËRIME SIGURIE

### Paralajmërimet e përgjithshme për sigurinë e veglës

**⚠️ PARALAJMËRIM:** Lexoni të gjitha paralajmërimet për sigurinë, udhëzimet, ilustrimet dhe specifikimet e dhëna me këtë vegël elektrike. Mosndjekja e të gjitha udhëzimeve të renditura më poshtë mund të shkaktojë goditje elektrike, zjarr dhe/ose lëndim të rëndë.

### Ruajini të gjitha paralajmërimet dhe udhëzimet për të ardhmen.

Termi "vegël elektrike" në paralajmërimet e referohet veglës elektrike që përdoret e lidhur në prizë (me kordon) ose veglës së përdorur me bateri (pa kordon).

### Paralajmërimet e sigurisë për trapanin me bateri

#### Udhëzimet e sigurisë për të gjitha veprimet

1. Mbajeni veglën elektrike të sipërfaqet kapëse të izoluar kur të jeni duke kryer një veprim në të cilin aksesori prerës ose shtrëngueset mund të prekin tela të fshehur. Nëse aksesori prerës ose shtrëngueset prekin një tel me rrymë, atëherë pjesët metalike të veglës elektrike elektrizohen dhe mund t'i shkaktojnë përdoruesit goditje elektrike.
2. Gjithmonë sigurohuni që të keni bazament të fortë qëndrimi. Sigurohuni që të mos ketë njeri poshtë ndërkohë që e përdorni pajisjen në vende të larta.
3. Mbajeni veglën fort.
4. Mbajini duart larg pjesëve rrotulluese.
5. Mos e lini veglën të ndezur. Përdoreni veglën vetëm duke e mbajtur në dorë.
6. Mos prekni majën e puntos, materialin e punës ose cifat menjëherë pas punës; mund të jenë shumë të nxehtë dhe mund t'ju djegin lëkurën.
7. Disa materiale përmbajnë kimikate që mund të jenë toksike. Kini kujdes që të parandaloni thithjen e pluhurave dhe kontaktin me lëkurën. Ndriqni të dhënat e sigurisë nga furnizuesi i materialit.

8. Nëse maja e puntos nuk mund të lirohet edhe nëse lironi nofullat, përdorni pinca për ta tërhequr. Në rast të tillë, nxjerri e majës së puntos me dorë mund të rezultojë në lëndim nga ana e saj e mprehtë.
9. Sigurohuni që të mos ketë kablllo elektrike, tuba uji, tuba gazit etj. që mund të shkaktojnë rrezik nëse dëmtohen nga përdorimi i veglës.

#### Udhëzimet e sigurisë kur përdorni maja puntosh të gjata

1. **Asnjëherë mos e përdorni me shpejtësi më të lartë se shpejtësia maksimale nominale e majës së puntos.** Në shpejtësi më të larta, maja mund të shtrembërohet nëse lejohet të rrotullohet lirshëm pa kontaktuar me materialin e punës, gjë që rezulton në lëndim personal.
2. **Gjithmonë shpini me shpejtësi të ulëta dhe me majën e puntos në kontakt me materialin e punës.** Në shpejtësi më të larta, maja mund të shtrembërohet nëse lejohet të rrotullohet lirshëm pa kontaktuar me materialin e punës, gjë që rezulton në lëndim personal.
3. **Aplikoni presion vetëm në vijë direkte me majën dhe mos aplikoni presion të tepërt.** Majat mund të shtrembërohen duke shkaktuar thyerje ose humbje të kontrollit, duke rezultuar në lëndim personal.

## RUAJINI KËTO UDHËZIME.

**⚠️ PARALAJMËRIM:** MOS lejoni që njohja ose familjarizimi me produktin (të fituara nga përdorimi i shpeshtë) të zëvendësojnë zbatimin me përpikëri të rregullave të sigurisë për produktin në fjalë. KEQPËRDORIMI ose mosndjekja e rregullave të sigurisë të dhëna në këtë manual përdorimi mund të shkaktojë dëmtime të rënda personale.

### Udhëzime të rëndësishme rreth sigurisë për kutinë e baterisë

1. Përpara se ta përdorni kutinë e baterisë, lexoni të gjitha udhëzimet dhe shënimet e masave parandaluese të (1) ngarkuesi i baterisë, (2) bateria dhe (3) produkti që përdor baterinë.
2. Mos e çmontoni ose dëmtoni kutinë e baterisë. Kjo mund të shkaktojë zjarr, nxehtësi të lartë ose shpërthim.
3. Nëse koha e përdorimit është shkurtuar jashtë mase, ndalojeni punën menjëherë. Kjo mund të rezultojë në rrezik mbinxehjeje, djegie të mundshme, madje edhe shpërthim.
4. Nëse ju futen elektrolitit në sy, shpëlajini sytë me ujë të pastër dhe kërkoni ndihmë mjekësore menjëherë. Kjo gjë mund të rezultojë në humbje të shikimit.
5. Mos bëni lidhje të shkurtër me kutinë e baterisë:
  - (1) Mos i prekni terminalin e materialit përcjellëse.
  - (2) Shmangni ruajtjen e kutisë së baterisë në një kuti me objekte të tjera metalike, si gozhdë, monedha etj.
  - (3) Mos e ekspozoni kutinë e baterisë në ujë ose shi. Qarku i shkurtër i baterisë mund të shkaktojë qarkullim të madh të rrymës elektrike, mbinxehje, djegie të mundshme dhe madje prishje.

6. Mos e ruani dhe mos e përdorni pajisjen dhe kutinë e baterisë në vende ku temperatura mund të arrijë ose tejkalojë 50 °C (122 °F).
7. Mos e digjini kutinë e baterisë, edhe nëse është shumë e dëmtuar ose është konsumuar plotësisht. Kutia e baterisë mund të shpërthejë në zjarr.
8. Mos e shpini, pritni, shtypni, hidhni apo rrezoni kutinë e baterisë apo ta goditni kutinë e baterisë me një objekt të fortë. Një sjellje e tillë mund të shkaktojë zjarr, nxehtësi të lartë ose shpërthim.
9. Mos përdorni bateri të dëmtuar.
10. Bateritë e përfshira të litiumit, u nënshtrohen kërkesave të legjislacionit për mallrat e rrezikshme.

Për transport tregtar p.sh. nga palë të treta, agjentë të ndërmjetëm, duhet të ndiqen kërkesa specifike mbi paketimin dhe etiketimin. Për përgatitjen e artikullit për transport, është i nevojshëm konsultimi i një eksperti për materiale të rrezikshme. Ju lutemi, ndiqni gjithashtu rregulloret me gjasë më të detajuara vendore. Mbuloni me ngjitëse ose maskoni kontaktet e zhveshura dhe paketojeni baterinë në mënyrë të tillë që të mos lëvizë në paketim.

11. Kur hidhni kutinë e baterisë, hiqeni nga vegla dhe hidhni në një vend të sigurt. Zbatoni rregulloret lokale rreth hedhjes së baterisë.
12. Përdorini bateritë vetëm me produktet e specifikuar nga Makita. Instalimi i baterive në produkte të papajtueshme mund të rezultojë në zjarr, nxehtësi të lartë, shpërthim ose rrjedhje të elektroliteve.
13. Nëse vegla nuk përdoret për një periudhë të gjatë kohe, bateria duhet të hiqet nga vegla.
14. Gjatë dhe pas përdorimit, kutia e baterisë mund të nxehet, gjë që mund të shkaktojë djegie ose djegie në temperaturë të ulët. Tregoni kujdes gjatë manovrimit të kutive të nxehta të baterive.
15. Mos prekni terminalin e veglës menjëherë pas përdorimit pasi mund të nxehet aq shumë sa të shkaktojë djegie.
16. Mos lejoni që grumbullimin e ashklave, pluhurave ose papastërtive në terminalet, vrimat ose kanalet e kutisë së baterisë. Kjo mund të shkaktojë rendiment të ulët ose dëmtim të veglës ose të kutisë së baterisë.
17. Përveç kur vegla e mbështet përdorimin pranë linjave elektrike me voltazh të lartë, mos e përdorni kutinë e baterisë pranë linjave elektrike me voltazh të lartë. Kjo mund të shkaktojë një defekt ose dëmtim të veglës ose të kutisë së baterisë.
18. Mbajeni baterinë larg fëmijëve.

## RUAJINI KËTO UDHËZIME.

**▲KUJDES:** Përdorni vetëm bateri origjinale Makita. Përdorimi i baterive jo-origjinale Makita ose baterive që mund të jenë modifikuar, mund të rezultojë në marrjen flakë të baterisë, lëndime personale apo dëmtime. Kjo do të anulojë gjithashtu edhe garancinë e Makita-s për veglën e Makita-s dhe ngarkuesin.

## Këshilla për të ruajtur jetëgjatësinë maksimale të baterisë

1. Ngarkojeni baterinë përpara se të shkarkohet plotësisht. Gjithmonë ndaloni punën me pajisjen dhe ngarkoni baterinë kur vëreni ulje të fuqisë së pajisjes.
2. Asnjëherë mos e ringarkoni baterinë e ngarkuar plotësisht. Mbingarkimi shkurton jetëgjatësinë e shërbimit të baterisë.
3. Ngarkojeni baterinë në temperaturën e dhomës në 10 °C - 40 °C. Lërimi i kutisë e nxehtë të baterisë të ftohet përpara se ta ngarkoni atë.
4. Kur nuk e përdorni kutinë e baterisë, hiqeni atë nga vegla ose karikuesi.
5. Ngarkojeni baterinë nëse nuk e përdorni për një kohë të gjatë (mbi gjashtë muaj).

## PËRSHKRIMI I PUNËS

**▲KUJDES:** Sigurohuni gjithmonë që vegla të jetë e fikur dhe kutia e baterisë të jetë hequr përpara se ta rregulloni apo t'i kontrolloni funksionet e veglës.

## Instalimi ose heqja e kutisë së baterisë

**▲KUJDES:** Fikeni gjithmonë veglën përpara se të instaloni ose hiqni kutinë e baterisë.

**▲KUJDES:** Mbajeni fort veglën dhe kutinë e baterisë kur montoni ose hiqni kutinë e baterisë. Mosmbajta fort e veglës dhe e kutisë së baterisë mund të bëjë që t'ju rrëshqasin nga duart dhe të shkaktojë dëmtim të veglës dhe të kutisë së baterisë, si dhe lëndim personal.

► Fig.1: 1. Treguesi i kuq 2. Butoni 3. Kutia e baterisë

Për të hequr kutinë e baterisë, rrëshqiteni atë nga vegla ndërsa rrëshqisni butonin në pjesën e përparme të kutisë së baterisë.

Për të vendosur kutinë e baterisë, bashkërenditni gjuhëzën e kutisë së baterisë me kanalën e folesë dhe rrëshqiteni për ta futur. Futeni deri në fund, derisa të kërçasë dhe të bllokohet në vend. Nëse shikoni treguesin e kuq në anën e sipërme të butonit, ajo nuk është e bllokuar plotësisht.

**▲KUJDES:** Vendoseni gjithnjë plotësisht kutinë e baterisë derisa treguesi i kuq të mos duket. Në të kundërt, ajo mund të bjerë aksidentalisht nga vegla duke ju lënduar juve ose personin pranë jush.

**▲KUJDES:** Mos e vendosni me forcë kutinë e baterisë. Nëse kutia nuk hyn lehtë, nuk po e futni siç duhet.

## Treguesi i kapacitetit të mbetur të baterive

Shtypni butonin e kontrollit në kutinë e baterisë për të treguar kapacitetin e mbetur të baterisë. Llambat treguese ndizen për pak sekonda.

► Fig.2: 1. Llambat treguese 2. Butoni i kontrollit

Llambat treguese			Kapaciteti i mbetur
Ndezur	Fikur	Duke pulsuar	
			75% deri 100%
			50% deri 75%
			25% deri 50%
			0% deri 25%
			Ngarkojeni baterinë.
			Llambushka mund të ketë keqfunksionuar.

**SHËNIM:** Në varësi të kushteve të përdorimit dhe të temperaturës së ambientit, treguesi mund të ndryshojë paksa nga kapaciteti aktual.

**SHËNIM:** Llamba e parë e treguesit (në fund majtas) do të pulsojë kur sistemi i mbrojtjes së baterisë është në punë.

## Sistemi i mbrojtjes së veglës/baterisë

Vegla është e pajisur me një sistem të mbrojtjes së veglës/baterisë. Ky sistem ndërpret automatikisht energjinë për të zgjatur jetëgjatësinë e veglës dhe baterisë. Vegla do të ndalojë automatikisht gjatë punës nëse vegla ose bateria janë vendosur sipas një prej kushteve të mëposhtme:

### Mbrojtja nga mbingarkesa

Kjo mbrojtje funksionon kur vegla ose bateria përdoret në një mënyrë që e bën atë të marrë rrymë të lartë anormale. Në këtë situatë, fikeni veglën dhe ndaloni punën që shkaktoi mbingarkesën e veglës. Pastaj ndizeni veglën për të rinisur punën.

### Mbrojtja ndaj mbinxehjes

Kjo mbrojtje funksionon dhe llamba pulson kur vegla ose bateria mbinxehen. Në këtë situatë, lëreni veglën dhe baterinë të ftohen përpara se ta ndizni veglën sërish.

### Mbrojtja nga mbishkarkimi

Kjo mbrojtje funksionon kur ulet kapaciteti i mbetur i baterisë. Në këtë situatë, hiqeni baterinë nga vegla dhe karikojeni.

## Veprimi i ndërrimit

**▲KUJDES:** Përpara se ta vendosni kutinë e baterisë në vegël, kontrolloni gjithmonë nëse çelësi është në pozicionin e duhur dhe nëse kthehet në pozicionin "OFF" (fikur) kur lëshohet.

Për ta ndezur veglën, thjesht tërhiqni këmbëzën e çelësit. Shpejtësia e veglës rritet me rritjen e trysnisë në këmbëzën e çelësit. Lëshoni këmbëzën e çelësit për ta fikur.

► Fig.3: 1. Çelësi

**SHËNIM:** Vegla ndalon automatikisht nëse vazhdoni të tërhiqni këmbëzën e çelësit për rreth 6 minuta.

## Freni elektrik

Kjo vegël është pajisur me fren elektrik. Nëse vegla vazhdimisht nuk arrin të ndalojë me shpejtësi pasi lëshohet këmbëza e çelësit, dërgojeni veglën për shërbim te një qendër shërbimi Makita.

## Ndezja e llambës së përparme

**▲KUJDES:** Mos e shikoni direkt dritën ose burimin e dritës.

Tërhiqni çelësin për të ndezur llambën. Llamba vazhdon të ndriçojë gjatë tërheqjes së çelësit. Llamba fiket afërsisht pas 10 sekondash pas lëshimit të këmbëzës së çelësit.

► Fig.4: 1. Llamba

**SHËNIM:** Kur vegla është e mbinxehur, ajo ndalon automatikisht dhe llamba nis të pulsojë. Në këtë rast, lëshoni këmbëzën e çelësit. Llamba fiket për një minutë.

**SHËNIM:** Përdorni një leckë të thatë për të fshirë papastërtitë nga lentet e llambës. Bëni kujdes të mos gërvishitni lentet e llambës, në të kundërt ajo do të ulë ndriçimin.

## Çelësi i ndryshimit të veprimit

**▲KUJDES:** Kontrolloni gjithmonë drejtimin e rrotullimit përpara përdorimit.

**▲KUJDES:** Përdorni çelësin e ndryshimit vetëm pasi vegla të ndalojë plotësisht. Ndryshimi i drejtimin të rrotullimit përpara se të ndalojë vegla mund të dëmtojë veglën.

**▲KUJDES:** Kur nuk e përdorni veglën, vendosni gjithmonë levën e çelësit të ndryshimit në pozicionin neutral.

Vegla ka një çelës ndryshimi për të ndryshuar drejtimin e rrotullimit. Shtypni levën e çelësit të ndryshimit nga ana A për rrotullimin në drejtimin orar ose nga ana B për rrotullimin në drejtimin kundërorar. Kur leva e çelësit të ndryshimit është në pozicionin neutral, çelësi nuk mund të tërhiqet.

► Fig.5: 1. Leva e ndryshimit të veprimit

## Ndryshimi i shpejtësisë

**▲KUJDES:** Vendosni gjithmonë leva për ndryshimin e shpejtësisë në pozicionin e duhur. Nëse përdorni veglën duke vendosur levën e ndryshimit të shpejtësisë midis anës "1" dhe "2", vegla mund të dëmtohet.

**▲KUJDES:** Mos e përdorni levën e ndryshimit të shpejtësisë ndërsa është duke punuar. Vegla mund të dëmtohet.


Numri i afishuar	Shpejtësia	Forca e shtrëngimit	Përdorimi i aplikueshëm
1	E ulët	E lartë	Përdorimi me ngarkesë të rëndë
2	E lartë	E ulët	Përdorimi me ngarkesë të lehtë

Për të ndryshuar shpejtësinë, në fillim fikni veglën. Shtyni levën e ndryshimit të shpejtësisë që të afishojë "2" për shpejtësi të lartë dhe "1" për shpejtësi të ulët, por forcë të lartë. Përpara përdorimit, sigurohuni që leva e ndryshimit të shpejtësisë të jetë vendosur në pozicionin e duhur. Nëse shpejtësia e veglës ulët shumë gjatë përdorimit me afishimin "2", shtyni levën në afishimin "1" dhe rifilloni përdorimin.

► **Fig.6:** 1. Leva e ndryshimit të shpejtësisë

## Rregullimi i rrotullimit shtrëngues

► **Fig.7:** 1. Unaza e rregullimit 2. Gradimi 3. Shigjeta

Rrotullimi shtrëngues mund të rregullohet në 22 nivele duke rrotulluar unazën e rregullimit. Bashkërenditni gradimet me shigjetën në trupin e veglës. Mund të përftoni rrotullimin shtrëngues minimal në 1 dhe rrotullimin shtrëngues maksimal në shenjë .

Friksioni do të rritet në nivele të ndryshme shtrëngimi kur caktohet në numrat 1 deri në 21.

Friksioni nuk funksionon në shenjë .

Përpara se të filloni punë fusni një vidë për provë në materialin tuaj të punës ose në një material identik me të për të përcaktuar se cili nivel rrotullimi kërkohet për një aplikim të caktuar.

Më poshtë tregohet një udhëzues i përafërt i lidhjes ndërmjet përmasës së vidës dhe gradimit.

Gradimi	1	2	3	4	5	6	7	8	9	10	11	12	13	14	15	16	17	18	19	20	21
Vidë makinerie	M4					M5					M6										
Vidë druri	Dru i butë (p.sh. pishë)		-			φ3,5 x 22			φ4,1 x 38			-									
	Dru i fortë (p.sh. lauan)		-			φ3,5 x 22			φ4,1 x 38			-									

## MONTIMI

**▲KUJDES:** Sigurohuni gjithmonë që vegla të jetë e fikur dhe kutia e baterisë të jetë hequr përpara se të kryeni ndonjë punë në vegël.

### Instalimi ose heqja e majës së kaçavidës / majës së puntos

► **Fig.8:** 1. Bokulla 2. Mbyllur 3. Hapur

Ktheni bokullën në drejtimin kundërorar për të hapur nufullat e mandrinës. Vendosni majën e kaçavidës / majën e puntos në mandrinë deri në fund. Kthejeni bokullën në drejtim orar për të shtrënguar mandrinën. Për ta hequr majën e kaçavidës / majën e puntos, kthejeni bokullën në drejtim kundërorar.

### Vendosja e grepit

**▲KUJDES:** Kur instaloni grepin, gjithmonë sigurojeni atë fort me vidën. Ndryshe, grepi mund të bjerë nga vegla dhe mund të rezultojë në lëndime personale.

**▲KUJDES:** Përdorini pjesët e varjes/montimit vetëm për qëllimin e tyre të synuar. Përdorimi për qëllime të pasyнуara, mund të shkaktojë aksident ose lëndim personal.

► **Fig.9:** 1. Ulluku 2. Grepit 3. Vida

Grepit shërben për ta varur veglën përkohësisht. Grepit mund të montohet në cilëndo anë të veglës. Për të instaluar grepin, futeni në një kanal në folenë e veglës në njërin anë dhe më pas sigurojeni atë me një vidë. Për ta hequr, lirojini vidën dhe më pas nxirreni.

**VINI RE:** Kur e varni veglën te rripi duke përdorur grepin, hiqni majën e kaçavidës/puntos dhe mbajtësen anësore.

### Vendosja e mbajtëses së majës së kaçavidës

**Aksesorë opsionalë**

► **Fig.10:** 1. Mbajtësi i majës së kaçavidës 2. Maja e kaçavidës

Puthiteni mbajtësen e majës së kaçavidës te pjesa e dalë në bazamentin e veglës në anën e djathtë ose të majtë dhe fiksojeni me një vidë.

Nëse nuk e përdorni majën e kaçavidës, mbajeni atë në mbajtëset e majës së kaçavidës. Aty mund të mbahen maja 45 mm të gjata.

### Instalimi i mbajtëses anësore (dorezës ndihmëse)

**Aksesorë opsionalë**

► **Fig.11:** 1. Pjesa e dalë 2. Krahu 3. Pjesa e futur 4. Mbajtësja

Futni mbajtësen anësore në mënyrë që pjesët e dala në krah të puthiten në pjesët e futura në vegël. Më pas, shtrëngojeni mbajtësen duke e rrotulluar në drejtim të akrepave të orës.

Në varësi të punëve, mund ta vendosni mbajtësen anësore, ose djathtas, ose majtas veglës.

# PËRDORIMI

**▲KUJDES:** Futeni gjithmonë deri në fund kutinë e baterisë derisa të bllokohet në vend. Nëse shikoni treguesin e kuq në anën e sipërme të butonit, ajo nuk është e bllokuar plotësisht. Futeni plotësisht derisa treguesi i kuq të mos shihet. Në të kundërt, ajo mund të bjerë aksidentalisht nga vegla duke ju lënduar juve ose personin pranë jush.

**▲KUJDES:** Kur shpejtësia ulët shumë, ulni ngarkesën ose ndaloni veglën për të shmangur dëmtimin e saj.

Mbajeni veglën fort me njëren dorë të doreza dhe me dorën tjetër në pjesën e poshtme të kutisë së baterisë për të kontrolluar veprimin e përdredhjes.

## Funksionimi i vidhosjes

**▲KUJDES:** Rregulloni unazën rregulluese në nivelin e duhur të rrotullimit për punën tuaj.


**▲KUJDES:** Sigurohuni që puntoja futet drejt në kokën e vidës ose vida dhe/ose maja e kaçavidës mund të dëmtohet.

Vendosni majën e puntos së vidhosjes në kokën e vidës dhe ushtroni presion në vegël. Ndizni veglën ngadalë dhe më pas rrisni gradualisht shpejtësinë. Lëshoni çelësin sapo shtrëngimi të aktivizohet.

► Fig.12

**SHËNIM:** Kur vidhosni vida druri, shpuni paraprakisht një vrimë pilot me diametër sa 2/3 e diametrit të vidës. Kjo e bën vidhosjen më të lehtë dhe parandalon çarjen e materialit të punës.

## Funksionimi i shpimit

Së pari ktheni unazën e rregullimit në mënyrë që shigjeta në trupin e veglës të tregojë drejt shenjës . Më pas procedoni si më poshtë.

### Shpimi në dru

Gjatë shpimit në dru arrihen rezultate më të mira me përdorimin e puntove për dru me vidë udhëzuese. Vida udhëzuese lehtëson shpimin sepse tërheq majën e puntos në objekt.

### Shpimi në metal

Për të parandaluar daljen e majës së puntos kur bëni një vrimë, bëni një shenjë me bulino dhe çekiç në vendin ku do të shpohet. Pastaj në vendin e shënuar vendosni majën e puntos dhe filloni shpimin. Gjatë shpimit të metalit përdorni lubrifkuesin për prerje. Përrjashtim bën shpimi i hekurit dhe bronzi që duhet të shpohen në të thatë.

**▲KUJDES:** Shtypja e tepërt e veglës nuk do të dëmtojë majën. Në fakt, shtypja e madhe do të dëmtojë majën e puntos, zvogëlon efikasitetin e veglës dhe shkurton afatin e përdorimit të veglës.

**▲KUJDES:** Mbajeni veglën fort dhe bëni kujdes kur maja e puntos fillon të depërtojë përmes objektit që po punohet. Gjatë depërimit të puntos në anën e kundërt të objektit mbi vegël/majën e puntos ushtrohet një forcë e madhe shpuese.

**▲KUJDES:** Maja e puntos e ngecur mund të hiqet thjesht duke vendosur çelësin e ndryshimit në rrotullimin e anasjelltë për ta nxjerrë puntos. Megjithatë, vegla mund të dalë papritmas nëse nuk e mbani fort.

**▲KUJDES:** Sigurori gjithmonë materialet e punës në morsë ose pajisje të ngjashme për shtrëngim.

**▲KUJDES:** Nëse vegla përdoret në mënyrë të vazhdueshme derisa bateria të shkarkohet, mos e përdorni veglën për 15 minuta derisa të vazhdoni me një bateri të re.

# MIRËMBAJTJA

**▲KUJDES:** Sigurohuni gjithmonë që vegla të jetë fikur dhe të jetë hequr nga bateria përpara se të kryeni inspektimin apo mirëmbajtjen.

**VINI RE:** Mos përdorni kurrë benzinë, pastrimi, hollues, alkoool dhe të ngjashme. Mund të shkaktoni çngjyrosje, deformime ose krisje.

Për të ruajtur SIGURINË dhe QËNDRUESHMËRINË, riparimet dhe çdo mirëmbajtje apo rregullim tjetër duhen kryer nga qendrat e autorizuara të shërbimit ose të shërbimit të fabrikës të Makita-s, duke përdorur gjithnjë pjesë këmbimi të Makita-s.

# AKSESORË OPSIONALË

**▲KUJDES:** Këta aksesorë ose shtojca rekomandohen për përdorim me veglën Makita të përcaktuar në këtë manual. Përdorimi i aksesorëve apo shtojcave të tjera ndryshe nga këto mund të përbëjë rrezik lëndimi. Aksesorët ose shtojcat përdorini vetëm për qëllimin e tyre të përcaktuar.

Nëse keni nevojë për më shumë të dhëna në lidhje me aksesorët, pyesni qendrën vendore të shërbimit të Makita-s.

- Majat e puntove
- Majat e kaçavidës
- Mbajtësi i majës së kaçavidës
- Grep
- Mbajtësja anësore
- Bateria dhe ngarkues origjinal Makita

**SHËNIM:** Disa artikuj të listës mund të përfshihen në paketën e veglës si aksesorë standardë. Ato mund të ndryshojnë nga njëri shtet në tjetrin.

## СПЕЦИФИКАЦИИ

<b>Модел:</b>		<b>DF002G</b>
Работен капацитет при пробиване	Стомана	13 мм
	Дърво	Винтово свердрло: 38 мм Самопроходно свердрло: 38 мм Боркорона: 51 мм
Стойности на работния капацитет при затягане	Винт за дърво	10 мм x 90 мм
	Машинен винт	M6
Обороти на празен ход (об./мин.)	Висока (2)	0 – 2 200 мин <sup>-1</sup>
	Ниски (1)	0 – 600 мин <sup>-1</sup>
Обща дължина		164 мм
Номинално напрежение		Постоянно напрежение 36 V – 40 V макс.
Нето тегло		1,9 – 2,8 кг

- Поради нашата непрекъсната научно-развойна дейност посочените тук спецификации могат да бъдат променени без предизвестие.
- Спецификациите може да са различни в различните държави.
- Теглото може да се различава в зависимост от принадлежността(ите), включително акумулаторната батерия. Най-леката и най-тежката комбинация в съответствие с процедурата на ЕРТА 01/2014 са показани в таблицата.

## Приложима акумулаторна батерия и зарядно устройство

Акумулаторна батерия	BL4020* / BL4025* / BL4040* / BL4050F *: Препоръчителна батерия
Зарядно устройство	DC40RA / DC40RB / DC40RC

- Някои от акумулаторните батерии и зарядните устройства, посочени по-горе, може да не са налични в зависимост от региона на местоживеене.

**▲ ПРЕДУПРЕЖДЕНИЕ:** Използвайте само посочените по-горе акумулаторни батерии и зарядни устройства. Използването на други акумулаторни батерии и зарядни устройства може да причини нараняване и/или пожар.

## Предназначение

Инструментът е предназначен за пробиване и завиване на винтове в дърво, метал и пластмаса.

## Шум

Обичайното ниво на шума с тегловен коефициент А, определено съгласно EN62841-2-1:

Ниво на звуково налягане ( $L_{pA}$ ): 78 dB(A)

Коефициент на неопределеност (K): 3 dB(A)

При работа нивото на шума може да превиши 80 dB (A).

**ЗАБЕЛЕЖКА:** Обявената(ите) стойност(и) на шумовите емисии  $e_{(sa)}$  измерена(и) в съответствие със стандартни методи за изпитване и може да се използва(т) за сравняване на инструменти.

**ЗАБЕЛЕЖКА:** Обявеното(ите) стойност(и) на шумови емисии може да се използва(т) също и за предварителна оценка на вредното въздействие.

**▲ ПРЕДУПРЕЖДЕНИЕ:** Използвайте предпазни средства за слуха.

**▲ ПРЕДУПРЕЖДЕНИЕ:** Нивото на шума при работа с електрическия инструмент може да се различава от обявената(ите) стойност(и) в зависимост от начина на използване на инструмента, по-специално какъв детайл се обработва.

**▲ ПРЕДУПРЕЖДЕНИЕ:** Задължително определете предпазни мерки за защита на оператора въз основа на оценка на риска в реални работни условия (като се вземат предвид всички етапи на работния цикъл, като например момента на изключване на инструмента, работата на празен ход, както и времето на задействане).

## Вибрации

Общата стойност на вибрациите (сума от три осови вектора), определена съгласно EN62841-2-1:

Работен режим: пробиване в метал

Ниво на вибрациите ( $a_{h,D}$ ): 2,5  $m/s^2$  или по-малко

Коефициент на неопределеност (K): 1,5  $m/s^2$



**ЗАБЕЛЕЖКА:** Обявената(ите) обща(и) стойност(и) на вибрациите е(са) измерена(и) в съответствие със стандартни методи за изпитване и може да се използва(т) за сравняване на инструменти.

**ЗАБЕЛЕЖКА:** Обявената(ите) обща(и) стойност(и) на вибрациите може да се използва(т) също и за предварителна оценка на вредното въздействие.

**▲ ПРЕДУПРЕЖДЕНИЕ:** Нивото на вибрациите при работа с електрическия инструмент може да се различава от обявената(ите) стойност(и) в зависимост от начина на използване на инструмента, по-специално какъв детайл се обработва.

**▲ ПРЕДУПРЕЖДЕНИЕ:** Задължително определете предпазни мерки за защита на оператора въз основа на оценка на риска в реални работни условия (като се вземат предвид всички етапи на работния цикъл, като например момента на изключване на инструмента, работата на празен ход, както и времето на задействане).

## ЕО декларация за съответствие

### Само за европейските страни

ЕО декларацията за съответствие е включена като Анекс А към тази инструкция за употреба.

## ПРЕДУПРЕЖДЕНИЯ ЗА БЕЗОПАСНОСТ

### Общи предупреждения за безопасност при работа с електрически инструменти

**▲ ПРЕДУПРЕЖДЕНИЕ:** Прочетете всички предупреждения, инструкции, илюстрации и спецификации за безопасността, предоставени с този електрически инструмент. При неспазване на изброените по-долу инструкции има опасност от токов удар, пожар и/или тежко нараняване.

### Запазете всички предупреждения и инструкции за справка в бъдеще.

Терминът "електрически инструмент" в предупрежденията се отнася за вашия инструмент (с кабел за включване в мрежата) или работещ на батерии (безжичен) електрически инструмент.

### Предупреждения за безопасна работа с акумулаторна бормашина с винтоверт

Инструкции за безопасност за всички операции

1. Дръжте електрическия инструмент за изолираните и нехлъзгави повърхности, когато по време на работа има опасност режещият елемент или закрепващите елементи да се допрат до скрити кабели. Ако режещият елемент или закрепващите елементи докоснат проводник под напрежение, токът може да премине през металните части на електрическия инструмент и да „ударят“ работещия.

2. Винаги осигурявайте добра опора за краката си. Когато използвате инструмента на високи места, се убедете, че отдолу няма никои.
3. Дръжте инструмента здраво.
4. Дръжте ръцете си далеч от въртящите се части.
5. Не оставяйте инструмента да работи без надзор. Инструментът трябва да работи само когато го държите в ръце.
6. Не докосвайте свредлото, обработвания детайл или стружките непосредствено след работа, защото могат да са много горещи и да изгорят кожата ви.
7. Някои материали съдържат химикали, които е възможно да са токсични. Вземете предпазни мерки, за да предотвратите вдишването на прах и контакта с кожата. Следвайте информацията на доставчика за безопасната работа с материала.
8. Ако свредлото не може да се разхлаби дори при отваряне на челюстите, използвайте клещи, за да го извадите. Изваждането на свредлото с ръка може да Ви нарани с острите си ръбове.
9. Уверете се, че няма електрически кабели, водопроводни тръби, газови тръби и др., които биха могли да създадат опасност, ако бъдат повредени при използване на инструмента.

Инструкции за безопасност при използване на дълги свредла

1. Никога не работете на по-високи обороти от максималните, за които е оразмерено свредлото. При по-високи обороти свредлото може да се огъне, ако му се позволи да се върти свободно, без да е в контакт с детайла, което ще доведе до телесно нараняване.
2. Винаги започвайте да пробивате на ниски обороти и с връх на свредлото, допрян до детайла. При по-високи обороти свредлото може да се огъне, ако му се позволи да се върти свободно, без да е в контакт с детайла, което ще доведе до телесно нараняване.
3. Прилагайте натиск само по права линия спрямо свредлото, но не натискайте твърде силно. Свредлата може да се огънат, което ще доведе до счупване или загуба на контрол, причинявайки телесни наранявания.

## ЗАПАЗЕТЕ НАСТОЯЩИТЕ ИНСТРУКЦИИ.

**▲ ПРЕДУПРЕЖДЕНИЕ:** НЕ позволявайте комфорта от познаването на продукта (придобит при дългата му употреба) да замени стриктното спазване на правилата за безопасност за въпросния продукт. НЕПРАВИЛНАТА УПОТРЕБА и неспазването на правилата за безопасност, посочени в настоящото ръководство за експлоатация, могат да доведат до тежки наранявания.

## Важни инструкции за безопасност за акумулаторната батерия

1. Преди да използвате акумулаторната батерия, прочетете всички инструкции и предупредителни маркировки на (1) зарядното устройство за батериите, (2) за батериите и (3) за използвания батериите продукт.
2. Не разглобявайте и не променяйте акумулаторната батерия. Това може да предизвика пожар, прегряване или взрив.
3. Ако мощността на машината намалее много, веднага спрете да работите. Това може да доведе до риск от прегряване, до възможни изгаряния и даже до експлозии.
4. Ако в очите ви попадне електролит, изплакнете ги с чиста вода и веднага потърсете лекарска помощ. Това може да доведе до загуба на зрението ви.
5. Не давайте на късо акумулаторните батерии:
  - (1) Не докосвайте клемите с проводими материали.
  - (2) Избягвайте съхраняването на акумулаторните батерии в контейнер с други метални предмети като пирони, монети и други подобни.
  - (3) Не излагайте акумулаторните батерии на вода или дъжд.

Закъсяването на акумулаторна батерия може да доведе до протичане на много силен ток, до прегряване, до възможни изгаряния и даже до разпадане на батерията.

6. Не съхранявайте и не използвайте инструмент и акумулаторните батерии на места, където температурата може да достигне или надмине 50 °C (122 °F).
7. Не изгаряйте акумулаторните батерии даже и ако те са сериозно повредени или напълно износени. Акумулаторната батерия може да експлодира в огън.
8. Не забивайте пирони, не режете, не смачквайте, не хвърляйте, не изпускате и не удряйте в твърд предмет акумулаторната батерия. Това поведение може да предизвика пожар, прегряване или взрив.
9. Не използвайте повредени акумулаторни батерии.
10. Съдържащите се литиево-йонни акумулаторни батерии са обект на изискванията на законодателството за опасни стоки.

При търговски превози, напр. от трети страни, спедитори, трябва да се спазват специални изисквания за опаковане и етикетироване. За подготовка на артикула, който трябва да бъде изпратен, е необходима консултация с експерт по опасните материали. Моля, спазвайте и евентуално по-подробните национални разпоредби. Зелепете с лента или покрийте откритите контакти и опаковайте акумулаторната батерия по такъв начин, че да не може да се премества в опаковката.
11. При изхвърляне на акумулаторната батерия я извадете от инструмента и я изхвърлете на подходящо място. Спазвайте местните разпоредби за изхвърляне на акумулаторни батерии.

12. Използвайте батериите само с продуктите, определени от Makita. Поставянето на батериите към неподобрени продукти може да предизвика пожар, прегряване, взрив или изтичане на електролит.
13. Ако инструментът няма да се използва продължително време, батерията трябва да се извади от него.
14. По време на и след употреба акумулаторната батерия може да поеме топлина, която може да причини изгаряния или нискотемпературни изгаряния. Внимавайте, когато боравите с горещите акумулаторни батерии.
15. Не докосвайте клемата на инструмента веднага след употреба, тъй като е възможно да е достатъчно нагрята, за да предизвика изгаряния.
16. Не позволявайте стружки, прах или почва да попаднат по клемите, отворите и каналите на акумулаторната батерия. Това може да доведе до лоши работни характеристики или повреда на инструмента или акумулаторната батерия.
17. Освен ако инструментът поддържа използването в близост до високоволтови електропроводи, не използвайте акумулаторната батерия близо до високоволтови електропроводи. Това може да доведе до неизправност или повреда на инструмента или акумулаторната батерия.
18. Пазете батерията от деца.

## ЗАПАЗЕТЕ НАСТОЯЩИТЕ ИНСТРУКЦИИ.

**▲ВНИМАНИЕ:** Използвайте само оригинални акумулаторни батерии на Makita. При използване на различни от акумулаторните батерии на Makita или стари акумулаторни батерии може да се получи пръскане на акумулаторната батерия, което да доведе до пожар, нараняване или повреда. Това също ще анулира гаранцията на Makita за инструмента и зарядното устройство Makita.

## Съвети за поддържане на максимално дълъг живот на акумулаторните батерии

1. Зареждайте акумулаторните батерии, преди те да са се разредили напълно. Когато забележите, че мощността на инструмента намалява, винаги спирайте работата с инструмента и заредете акумулаторната батерия.
2. Никога не презареждайте напълно заредена акумулаторна батерия. Презарядът скъсява експлоатационния живот на батерията.
3. Зареждайте акумулаторната батерия при стайна температура от 10 °C – 40 °C (50 °F – 104 °F). Оставете заргетите акумулаторни батерии да се охладят, преди да ги зареждате.
4. Когато не използвате акумулаторната батерия, извадете я от инструмента или зарядното устройство.
5. Заредете акумулаторната батерия, ако не сте го използвали дълъг период от време (повече от шест месеца).



# ОПИСАНИЕ НА ФУНКЦИИТЕ

**⚠ ВНИМАНИЕ:** Винаги проверявайте дали инструментът е изключен и касетата с акумулаторната батерия е извадена, преди да регулирате или проверявате дадена функция на инструмента.

## Поставяне и изваждане на акумулаторната батерия

**⚠ ВНИМАНИЕ:** Винаги изключвайте инструмента преди поставяне или изваждане на акумулаторната батерия.

**⚠ ВНИМАНИЕ:** Когато инсталирате или изваждате акумулаторната батерия, дръжте здраво инструмента и акумулаторната батерия. Ако не държите здраво инструмента и акумулаторната батерия, те могат да се изплъзнат от ръцете ви и да доведат до повреждане на инструмента и акумулаторната батерия или нараняване.

► **Фиг.1:** 1. Червен индикатор 2. Бутон 3. Акумулаторна батерия

За да извадите акумулаторната батерия, я плъзнете извън инструмента, плъзгайки същевременно бутон в предната част на акумулаторната батерия.

За да поставите акумулаторната батерия, изравнете езицето на акумулаторната батерия с жлеба в корпуса и го плъзнете на мястото му. Вмъкнете го докрай, докато ключалката го задържи на място с малко прищракване. В случай че виждате червения индикатор в горната част на бутона, това означава, че тя не е фиксирана напълно на мястото си.

**⚠ ВНИМАНИЕ:** Винаги вмъквайте акумулаторната батерия докрай, така че червеният индикатор да се скрие. В противен случай тя може неволно да изпадне от инструмента, което може да нарани вас или някого около вас.

**⚠ ВНИМАНИЕ:** Не инсталирайте акумулаторната батерия със сила. Ако батерията не се движи свободно, тя не е била поставена правилно.

## Индикация на оставащия капацитет на акумулаторната батерия

Натиснете бутон за проверка на акумулаторната батерия за показване на оставащия заряд на батерията. Светлинните индикатори ще светнат за няколко секунди.

► **Фиг.2:** 1. Светлинни индикатори 2. Бутон за проверка

Светлинни индикатори			Оставащ заряд на батерията
Свети	Изкл.	Мига	
			75% до 100%
			50% до 75%
			25% до 50%
			0% до 25%
			Заредете батерията.
			Батерията може да не работи правилно.

**ЗАБЕЛЕЖКА:** В зависимост от условията на употреба и околната температура е възможно показанията леко да се различават от действителния капацитет.

**ЗАБЕЛЕЖКА:** Първият (краен ляв) светлинен индикатор ще мига, когато системата за защита на батерията функционира.

## Система за защита на инструмента / акумулаторната батерия

Инструментът е оборудван със система за защита на инструмента/акумулаторната батерия. Тази система автоматично прекъсва захранването, за да осигури по-дълъг живот на инструмента и акумулаторната батерия. Инструментът ще спре автоматично по време на работа, ако инструментът или батерията се намират в едно от следните условия:

### Защита срещу претоварване

Тази защита действа, когато инструментът или батерията се използва по начин, който налага използването на прекалено много ток. В такъв случай изключете инструмента и прекратете използването му по начина, който го претоварва. След това включете инструмента за повторно стартиране.

### Защита срещу прегряване

Тази защита действа и лампата мига, когато инструментът или батерията са прегрели. При това положение оставете инструмента и батерията да се охлаждат, преди да включите инструмента отново.

### Защита срещу прекомерно разреждане

Тази защита действа, когато оставащият капацитет на акумулаторната батерия намалее. В този случай извадете батерията от инструмента и я заредете.

## Включване

**⚠ВНИМАНИЕ:** Преди да поставите батерията в инструмента, винаги проверявайте дали пусковият прекъсвач работи нормално и се връща в положение "OFF" (ИЗКЛ.) при отпускането му.

За да включите инструмента, просто натиснете пусковия прекъсвач. Оборотите на инструмента се увеличават с увеличаване на натиска върху пусковия прекъсвач. За спиране отпуснете пусковия прекъсвач.

► **Фиг.3:** 1. Пусков прекъсвач

**ЗАБЕЛЕЖКА:** Инструментът ще спре автоматично, ако задържите пусковия прекъсвач около 6 минути.

## Електрическа спирачка

Този инструмент е оборудван с електрическа спирачка. Ако инструментът неколкократно не успява да спре бързо след освобождаване на пусковия прекъсвач, занесете инструмента за извършване на техническо обслужване в сервизен център на Makita.

## Включване на предната лампичка

**⚠ВНИМАНИЕ:** Не гледайте директно в светлинния източник.

Натиснете пусковия прекъсвач, за да включите лампата. Лампата свети, докато пусковият прекъсвач е натиснат. Лампата се самоизключва около 10 секунди след отпускане на пусковия прекъсвач.

► **Фиг.4:** 1. Лампа

**ЗАБЕЛЕЖКА:** Ако инструментът прегрее, той автоматично спира да работи и лампата започва да мига. В този случай отпуснете пусковия прекъсвач. Лампата се изключва след една минута.

**ЗАБЕЛЕЖКА:** Използвайте суха кърпа, за да изчистите полепналата по лупата на лампата мръсотия. Внимавайте да не надраскате лупата на лампата, тъй като това ще влоши осветяването.

## Действие на превключвателя за промяна на посоката

**⚠ВНИМАНИЕ:** Винаги проверявайте посоката на въртене преди работа.

**⚠ВНИМАНИЕ:** Използвайте превключвателя за промяна на посоката на въртене само когато инструментът е напълно спрял. Промяна на посоката на въртене преди спиране на инструмента може да го повреди.

**⚠ВНИМАНИЕ:** Когато инструментът не се използва, винаги поставяйте превключвателя на посоката на въртене в неутрално положение.

Инструментът е снабден с превключвател за промяна на посоката на въртене. Натиснете превключвателя на посоката на въртене от положение А за въртене по посока на часовниковата стрелка към положение В за посока обратна на часовниковата стрелка.

Когато превключвателя на посоката на въртене е в неутрална позиция, пусковият прекъсвач не може да бъде натиснат.

► **Фиг.5:** 1. Превключвател на посоката на въртене

## Промяна на скоростта на въртене

**⚠ВНИМАНИЕ:** Винаги поставяйте превключвателя на скоростта на въртене докрай в правилното положение. Ако експлоатирате инструмента, когато превключвателят на скоростта на въртене е поставен по средата, между страна "1" и страна "2", това може да повреди инструмента.

**⚠ВНИМАНИЕ:** Не използвайте превключвателя на скоростта на въртене, докато инструментът работи. Инструментът може да се повреди.

Показана цифра	Обороти	Въртящ момент	Приложимо действие
1	Ниско	Високо	Работа с високо натоварване
2	Високо	Ниско	Работа с ниско натоварване


За промяна на оборотите най-напред изключете инструмента. Натиснете превключвателя на скоростта на въртене, така че да покаже "2" за висока скорост или "1" за ниска скорост, но с висок въртящ момент. Преди работа проверявайте дали превключвателя на скоростта на въртене е поставен в правилното положение.


Ако оборотите на инструмента рязко спадат по време на работа в позиция "2", преместете превключвателя на "1" и подновете работата.

► **Фиг.6:** 1. Превключвател на скоростта на въртене

## Регулиране на момента на затягане

► **Фиг.7:** 1. Регулиращ пръстен 2. Скала 3. Стрелка

Моментът на затягане може да се регулира на 22 степени чрез завъртане на регулиращия пръстен. Изравнете деленията със стрелката върху корпуса на инструмента. Моментът на затягане е минимален в положение "1" и максимален в положението на маркировката .

Съединителят ще приплъзва при различни нива на момента на затягане при задаване на 1 до 21. Съединителят не работи в положението на маркировката . Преди работа завийте един винт за проба в материала или в образец от него, за да определите нужното ниво на затягане за конкретното приложение. Следното дава обща представа за връзката между размера на винта и деленията.

Скала		1	2	3	4	5	6	7	8	9	10	11	12	13	14	15	16	17	18	19	20	21
Машинен винт		M4					M5					M6										
Винт за дърво	Меко дърво (напр. бор)	–					φ3,5 x 22			φ4,1 x 38				–								
	Твърдо дърво (напр. лауан)	–					φ3,5 x 22				φ4,1 x 38				–							

## СГЛОБЯВАНЕ

**⚠ ВНИМАНИЕ:** Преди да извършите някакви дейности по инструмента, задължително проверете дали той е изключен и акумулаторната батерия е извадена.

### Монтаж или демонтаж на накрайник за отвертка/свредло

► **Фиг.8:** 1. Патронник 2. Затваряне 3. Отваряне

Завъртете патронника по посока, обратна на часовниковата стрелка, за да се отворят челюстите му. Поставете накрайника за отвертка/свредлото възможно най-навътре в патронника. Завъртете патронника по посока на часовниковата стрелка, за да затегнете челюстите. За изваждане на накрайника за отвертка/свредлото завъртете патронника обратно на часовниковата стрелка.

### Монтиране на кука

**⚠ ВНИМАНИЕ:** Когато монтирате куката, винаги я затягвайте здраво с винта. В противен случай куката може да изпадне от инструмента и да причини телесно нараняване.

**⚠ ВНИМАНИЕ:** Използвайте частите за закачане/монтаж само по предназначение. Ако не се използва по предназначение, може да причини злополуки или телесни наранявания.

► **Фиг.9:** 1. Жлеб 2. Кука 3. Винт

Куката може да се използва за ваше удобство за временно закачане на инструмента. Куката може да се монтира от всяка страна на инструмента. За да монтирате куката, поставете я в жлеба на инструмента независимо от коя страна, след което я завийте с винт. За да я свалите, отвийте винта и я махнете.

**БЕЛЕЖКА:** Когато закачате инструмента на колана си, като използвате куката, отстранете накрайника за отвертка/свредлото и страничната дръжка.

## Монтиране на държача на накрайници за отвертка

*Допълнителни аксесоари*

► **Фиг.10:** 1. Държач на накрайници за отвертка  
2. Накрайник за отвертка

Поставете държача на накрайници за отвертка в изпъкналата част в основата на инструмента отъдно или отляво и го закрепете с винт. Когато не използвате накрайника за отвертка, го съхранявайте в държачите за накрайници. Там могат да се съхраняват накрайници с дължина 45 мм.

## Монтиране на страничната ръкохватка (допълнителна ръкохватка)

*Допълнителни аксесоари*

► **Фиг.11:** 1. Изпъкналост 2. Рамо 3. Вдлъбнатина  
4. Ръкохватка

Монтирайте страничната ръкохватка така, че изпъкналостта на рамото да попаднат във вдлъбнатините на инструмента. След това затегнете ръкохватката, като я завъртите по посока на часовниковата стрелка.

В зависимост от операции можете да монтирате страничната ръкохватка от дясната или от лявата страна на инструмента.

## Експлоатация

**⚠ВНИМАНИЕ:** Винаги поставяйте акумулаторната батерия, докато се фиксира на място. В случай че виждате червения индикатор в горната част на бутона, това означава, че тя не е фиксирана напълно на мястото си. Приплъзнете го докрай, докато червеният индикатор се скрие. В противен случай тя може неволно да изпадне от инструмента, което може да нарани вас или някого около вас.

**⚠ВНИМАНИЕ:** При рязко спадане на оборотите, намалете натоварването или спрете инструмента, за да не го повредите.

Хванете здраво инструмента с едната ръка върху ръкохватката и с другата върху долната страна на акумулаторната батерия, за да противодействате на силата на въртене.

## Работа със завинтване

**⚠ВНИМАНИЕ:** Поставете регулиращия пръстен на правилното ниво за затягане, необходимо за вашата работа.


**⚠ВНИМАНИЕ:** Уверете се, че накрайникът за отвертка е поставен директно в главата на винта – в противен случай винтът и/или накрайникът може да се повреди.

Поставете върха на накрайника за отвертка в главата на винта и окажете натиск върху инструмента. Пуснете инструмента на бавен ход, а след това постепенно увеличавайте оборотите. Отпуснете пусковия прекъсвач веднага щом инструментът превърти.

► Фиг.12

**ЗАБЕЛЕЖКА:** При вкарване на винт за дърво предварително пробийте водещ отвор с диаметър 2/3 от диаметъра на винта. Това улеснява завинтането на винта и предпазва обработвания детайл от разцепване.

## Работа с пробиване

Първо завъртете регулиращия пръстен така, че стрелката върху корпуса на инструмента да сочи към отметката . След това продължете, както следва.

## Пробиване в дърво

Когато пробивате в дърво, най-добри резултати се получават със свредла за пробиване на дърво, снабдени с водещ винт. Той улеснява пробиването като издърпва свредлото в обработвания детайл.

## Пробиване в метал

За да избегнете отклоняване на свредлото, когато започвате да пробивате отвор, направете вдлъбнатина с пробой и чук в точката на пробиване. Поставете върха на свредлото във вдлъбнатината и започнете да пробивате.

При пробиване на метали използвайте смазка за рязане. Изключения са чугунът и бронзът, които трябва да се пробиват на сухо.

**⚠ВНИМАНИЕ:** Прекомерно силен натиск върху инструмента няма да ускори пробиването. Всъщност този излишен натиск само може да доведе до повреда на върха на свредлото, да намали ефективността на инструмента и да съкрати срока за експлоатация на инструмента.

**⚠ВНИМАНИЕ:** Дръжте инструмента здраво и работете с внимание, когато свредлото започне да прониква през обработвания детайл. В момента на разпробиване на отвор възниква огромна сила, упражнявана върху инструмента/свредлото.

**⚠ВНИМАНИЕ:** Блокирано свредло може да се извади лесно, като превключателят на посоката на въртене се настрои за обратно въртене, за да се извади. Въпреки това инструментът може рязко да завърти обратно, ако не го държите здраво.

**⚠ВНИМАНИЕ:** Малките обработвани детайли трябва винаги да се закрепват в менгеме или подобно задържащо устройство.

**⚠ВНИМАНИЕ:** Ако инструментът е бил използван без прекъсване на разреждане на акумулаторната батерия, го оставете в покой за 15 минути преди продължаване на работа с нова заредена батерия.

## ПОДДРЪЖКА

**⚠ВНИМАНИЕ:** Преди да проверявате или извършвате поддръжка на инструмента, се уверете, че той е изключен и акумулаторната батерия е извадена.

**БЕЛЕЖКА:** Не използвайте бензин, нафта, разредител, спирт и др. подобни. Това може да причини обезцветяване, деформация или пукнатини.

За да се поддържа БЕЗОПАСНОСТТА и НАДЕЖНОСТТА на продукта, ремонтите, поддръжката или регулирането трябва да се извършват от упълномощен сервиз или фабрични сервизни центрове на Makita, като винаги трябва да използвате резервни части от Makita.

# ДОПЪЛНИТЕЛНИ АКСЕСОАРИ

**⚠ ВНИМАНИЕ:** Препоръчва се използването на тези аксесоари или накрайници с вашия инструмент Makita, описан в настоящото ръководство. Използването на други аксесоари или накрайници може да доведе до опасност от телесни повреди. Използвайте съответния аксесоар или накрайник само по предназначение.

Ако имате нужда от помощ за повече подробности относно тези аксесоари, се обърнете към местния сервизен център на Makita.

- Свредла
- Накрайници за отвертка
- Държач на накрайници за отвертка
- Кука
- Странична ръкохватка
- Оригинална акумулаторна батерия и зарядно устройство на Makita

**ЗАБЕЛЕЖКА:** Някои артикули от списъка може да са включени в комплекта на инструмента, като стандартни аксесоари. Те може да са различни в различните държави.

## SPECIFIKACIJE

<b>Model:</b>		<b>DF002G</b>
Kapaciteti bušenja	Čelik	13 mm
	Drvo	Svrdo: 38 mm Pužni nastavak: 38 mm Pila s rupom: 51 mm
Kapaciteti pričvršćivanja	Vijak za drvo	10 mm x 90 mm
	Strojni vijak	M6
Brzina bez opterećenja (o/min)	Visoki (2)	0 – 2.200 min <sup>-1</sup>
	Niski (1)	0 – 600 min <sup>-1</sup>
Ukupna dužina		164 mm
Nazivni napon		DC 36 V – 40 V maks.
Neto težina		1,9 – 2,8 kg

- Zahvaljujući našem stalnom programu razvoja i istraživanja, navedene specifikacije podložne su promjenama bez obavijesti.
- Specifikacije mogu biti različite ovisno o zemlji.
- Težina se može razlikovati ovisno o opremi, uključujući baterijski uložak. Najlakša i najteža kombinacija, sukladno postupku EPTA 01/2014, prikazane su u nastavku.

### Odgovarajući baterijski uložak i punjač

Baterija	BL4020* / BL4025* / BL4040* / BL4050F * : preporučena baterija
Punjač	DC40RA / DC40RB / DC40RC

- Neki od navedenih baterijskih uložaka i punjača možda neće biti dostupni ovisno o regiji u kojoj se nalazite.

**⚠ UPOZORENJE:** Upotrebite samo navedene baterijske uloške i punjače. Upotreba bilo koje druge vrste baterijskih uložaka i punjača može prouzročiti ozljede i/ili požar.

### Namjena

Alat je namijenjen za bušenje i pričvršćivanje vijcima u drvu, metalu i plastici.

### Buka

Tipična jačina buke označena s A, određena sukladno EN62841-2-1:

Razina tlaka zvuka ( $L_{pA}$ ) : 78 dB (A)

Neodređenost (K): 3 dB (A)

Razina buke u radu može prelaziti 80 dB (A).

**NAPOMENA:** Deklarirana vrijednost emisije buke izmjerena je prema standardnoj metodi testiranja i može se rabiti za usporedbu jednog alata s drugim.

**NAPOMENA:** Deklarirana vrijednost emisije buke također se može rabiti za preliminarnu procjenu izloženosti.

**⚠ UPOZORENJE:** Nosite zaštitu za uši.

**⚠ UPOZORENJE:** Emisija buke tijekom stvarnog korištenja električnog ručnog alata se može razlikovati od deklariranih vrijednosti emisije, ovisno o načinu na koji se alat rabi, posebice ovisno o tome kakav se izradak izrađuje.

**⚠ UPOZORENJE:** Nemojte zaboraviti da identifikirate sigurnosne mjere zaštite rukovatelja koje se temelje na procjeni izloženosti u stvarnim uvjetima korištenja (uzimajući u obzir sve dijelove radnog ciklusa, poput vremena kada je alat isključen i kada on radi u praznom hodu, a također i vrijeme okidanja).

### Vibracija

Ukupna vrijednost vibracija (troosni vektorski zbir) izračunata u skladu s EN62841-2-1:

Način rada: bušenje metala

Emisija vibracija ( $a_{h,D}$ ) : 2,5 m/s<sup>2</sup> ili manje

Neodređenost (K): 1,5 m/s<sup>2</sup>

**NAPOMENA:** Deklarirana vrijednost ukupnih vibracija izmjerena je prema standardnoj metodi testiranja i može se rabiti za usporedbu jednog alata s drugim.

**NAPOMENA:** Deklarirana vrijednost ukupnih vibracija također se može rabiti za preliminarnu procjenu izloženosti.

**⚠ UPOZORENJE:** Emisija vibracija tijekom stvarnog korištenja električnog ručnog alata se može razlikovati od deklariranih vrijednosti emisije, ovisno o načinu na koji se alat rabi, posebice ovisno o tome kakav se izradak izrađuje.

**⚠ UPOZORENJE:** Nemojte zaboraviti da identificate sigurnosne mjere zaštite rukovatelja koje se temelje na procjeni izloženosti u stvarnim uvjetima korištenja (uzimajući u obzir sve dijelove radnog ciklusa, poput vremena kada je alat isključen i kada on radi u praznom hodu, a također i vrijeme okidanja).

## Izjava o sukladnosti EZ

*Samo za države članice Europske unije*

Izjava o sukladnosti EZ u privitku je Priloga A ovih uputa za upotrebu.

## SIGURNOSNA UPOZORENJA

### Opća sigurnosna upozorenja za električne ručne alate

**⚠ UPOZORENJE:** Pročitajte sva sigurnosna upozorenja, upute, ilustracije i specifikacije priložene uz ovaj električni ručni alat. Nepridržavanje svih uputa navedenih u nastavku može rezultirati strujnim udarom, požarom i/ili ozbiljnim ozljedama.

### Sačuvajte sva upozorenja i upute radi kasnijeg korištenja.

Pojam „električni alat“ u upozorenjima odnosi se na električni (kabelski) alat uključen u struju ili na bežične električne alate (na baterije).

### Sigurnosna upozorenja za bežičnu udarnu bušilicu

Sigurnosne upute za sve radnje

1. **Držite električni alat za izolirane rukohvatne površine kad izvodite radnju pri kojoj rezni dodatak ili pričvršćivači mogu doći u dodir sa skrivenim vodičima.** Rezni dodatak ili pričvršćivači koji dođu u dodir s vodičem pod naponom mogu dovesti pod napon izložene metalne dijelove električnog alata i mogu prouzročiti strujni udar kod rukovatelja.
2. **Uvijek stojte na čvrstom uporištu.** Pazite da nitko ne stoji ispod vas kad koristite uređaj na visini.
3. **Čvrsto držite alat.**
4. **Držite ruke podalje od dijelova koji se okreću.**
5. **Ne ostavljajte alat da radi.** Alatom radite isključivo držeći ga u ruci.
6. **Ne dodirujte nastavak za bušenje, izradak ili strugotine odmah nakon rada;** mogu biti izuzetno vrući i mogli bi vam opeći kožu.
7. **Neki materijal sadrži kemikalije koje mogu biti toksične.** Poduzmite potrebne mjere opreza da biste spriječili udisanje prašine i dodir s kožom. Pročitajte sigurnosno-tehnički list dobavljača materijala.

8. **Ako nastavak za bušenje ne možete otpustiti čak ni kad otvorite čeljust, izvucite ga klijestima.** U tom slučaju, izvlačenje nastavka za bušenje rukom može rezultirati ozljedama zbog oštrog ruba.
9. **Provjerite da nema električnih kabela, cijevi za vodu, plinskih cijevi i sl. koje mogu prouzročiti opasnost ako se pri upotrebi alata oštete.**

**Sigurnosne upute pri upotrebi dugačkih nastavaka za bušenje**

1. **Ne upravljajte nastavcima za bušenje pri brzini koja je veća od maksimalne brzine rada.** Ako se može slobodno okretati bez kontakta s izratkom, nastavak se pri većim brzinama može saviti, što će rezultirati ozljedama.
2. **Uvijek počnite bušiti na manjoj brzini tako da je vrh nastavka u kontaktu s izratkom.** Ako se može slobodno okretati bez kontakta s izratkom, nastavak se pri većim brzinama može saviti, što će rezultirati ozljedama.
3. **Primijenite pritisak samo na putanji nastavka i nemojte primjenjivati dodatni pritisak.** Nastavci se mogu saviti, što može dovesti do pucanja ili gubitka kontrole i rezultirati ozljedama.

## ČUVAJTE OVE UPUTE.

**⚠ UPOZORENJE:** NEMOJTE dozvoliti da udobnost ili znanje o proizvodu (stečeno stalnim korištenjem) zamijene strogo pridržavanje sigurnosnih propisa za određeni proizvod. ZLOUPORABA ili nepridržavanje sigurnosnih propisa navedenih u ovom priručniku s uputama mogu prouzročiti ozbiljne ozljede.

### Važne sigurnosne upute za bateriju

1. **Prije uporabe baterije pročitajte sve upute i oznake upozorenja na (1) punjaču za baterije, (2) bateriji i (3) proizvodu koji koristi bateriju.**
2. **Nemojte rastavljati ili izmjenjivati baterijski uložak.** To može dovesti do požara, pretjeranog zagrijavanja ili eksplozije.
3. **Ako se vrijeme rada znatno skratilo, odmah prestanite raditi.** Može doći do pregrijavanja, mogućih opekline pa čak i eksplozije.
4. **Ako vam elektrolit dospije u oči, isperite ih čistom vodom i odmah se obratite liječniku.** Tako možete izgubiti vid.
5. **Nemojte kratko spajati bateriju:**
  - (1) **Ne dovodite terminale u kontakt s provodljivim materijalima.**
  - (2) **Ne čuvajte bateriju u spremniku s drugim metalnim predmetima poput čavala, kovanica itd.**
  - (3) **Ne izlažite bateriju vodi ili kiši.** Kratki spoj baterije može uzrokovati velik protok struje, pregrijavanje, moguće opekline pa čak i kvar.
6. **Ne držite i ne upotrebljavajte alat i baterijski uložak na mjestima gdje temperatura može premašiti 50 °C (122 °F).**
7. **Ne spaljujte bateriju čak ni ako je ozbiljno oštećena ili potpuno istrošena.** Baterija može eksplodirati u vatri.
8. **Nemojte zabijati čavle u baterijski uložak, rezati ga, gnječiti, bacati ili udarati tvrdim predmetom.** Ti postupci mogu dovesti do požara, pretjeranog zagrijavanja ili eksplozije.

9. Ne koristite oštećene baterije.
10. Sadržane litij-ionske baterije podliježu odredbama zakonskih propisa o opasnim tvarima. Kada se radi o komercijalnom transportu koji obavlja npr. dobavljači ili špediteri, moraju se poštovati posebni zahtjevi na pakiranju i oznakama. Prilikom pripreme isporuke takve stavke potražite savjet stručnjaka za opasne tvari. Pogledajte i moguće podrobnije nacionalne propise. Prekrijte trakom ili zaštitite otvorene kontakte i bateriju zapakirajte tako da se ne može pomicati u pakiranju.
11. Kada odlažete baterijski uložak u otpad, uklonite ga iz alata i zbrinite na sigurnom mjestu. Pridržavajte se lokalnih zakonskih propisa za zbrinjavanje baterija.
12. Upotrebljavajte baterije samo s proizvodima koje je odobrila tvrtka Makita. Umetanje baterija u neprikladne proizvode može dovesti do požara, prekomjerne topline, eksplozije ili curenja elektrolita.
13. Ako se alat ne upotrebljava dulje vrijeme, bateriju morate ukloniti iz alata.
14. Tijekom i nakon upotrebe baterijski uložak može se zagrijati i prouzročiti opekline višeg ili nižeg stupnja. Pažljivo rukujte vrućim baterijskim ulošcima.
15. Nemojte dirati priključak alata neposredno nakon upotrebe jer se može zagrijati toliko da prouzroči opekline.
16. Ne dopustite da krhotine, prašina ili zemlja zapnu u priključcima, otvorima i urezima baterijskog uloška. To može dovesti do neispravnog rada ili kvara alata ili baterijskog uloška.
17. Ako alat ne podržava upotrebu u blizini visokonaponskih električnih vodova, nemojte upotrebljavati baterijski uložak u blizini a visokonaponskih električnih vodova. To može dovesti do neispravnog rada ili kvara alata ili baterijskog uloška.
18. Bateriju čuvajte podalje od djece.

## ČUVAJTE OVE UPUTE.

**⚠OPREZ:** Uvijek upotrebljavajte originalne baterije Makita. Upotreba baterija koje nisu originalne baterije Makita ili su izmijenjene može dovesti do rasprskavanja baterije i uzrokovati požar, tjelesnu ozljedu ili štetu. To će također poništiti jamstvo tvrtke Makita za alat i punjač Makita.

## Savjeti za održavanje najduljeg vijeka trajanja baterije

1. Napunite bateriju prije nego što se potpuno isprazni. Uvijek zaustavite alat i napunite bateriju kad primijetite da alat slabije radi.
2. Nikad ne punite već do kraja napunjenu bateriju. Pretjerano punjenje skraćuje radni vijek baterije.
3. Bateriju punite na sobnoj temperaturi između 10 °C i 40 °C. Vruću bateriju prije punjenja ostavite da se ohladi.
4. Kada ne upotrebljavate baterijski uložak, uklonite ga iz alata ili punjača.
5. Napunite bateriju ako je ne mislite koristiti duže vrijeme (duže od 6 mjeseci).

## FUNKCIONALNI OPIS

**⚠OPREZ:** Prije podešavanja ili provjere rada alata obavezno provjerite je li stroj isključen i baterija uklonjena.

## Umetanje ili uklanjanje baterije

**⚠OPREZ:** Uvijek isključite alat prije umetanja ili uklanjanja baterije.

**⚠OPREZ:** Čvrsto držite alat i bateriju pri umetanju ili uklanjanju baterije. Ako alat i bateriju ne držite čvrsto, mogli bi vam isključiti iz ruku te oštetiti alat i bateriju ili uzrokovati osobnu ozljedu.

► **Sl.1:** 1. Crvena oznaka 2. Gumb 3. Baterija

Za uklanjanje bateriju gurnite van iz alata pritiskom gumba na prednjoj strani uloška.

Za umetanje baterijskog uloška poravnajte jezičac na baterijskom ulošku s otvorom na kućištu i gurnite ga na mjesto. Umetnite baterijski uložak do kraja dok ne sjedne na svoje mjesto uz mali klik. Ako možete vidjeti crvenu oznaku na gornjoj strani gumba, baterijski uložak nije do kraja sjeo na svoje mjesto.

**⚠OPREZ:** Uvijek umetnite baterijski uložak do kraja tako da ne možete vidjeti crvenu oznaku. U suprotnom može slučajno ispasti iz alata, što može dovesti do ozljede vas ili nekog u blizini.

**⚠OPREZ:** Ne umećite bateriju silom. Ako baterija ne klizne lagano, znači da nije ispravno umetnuta.

## Prikaz preostalog kapaciteta baterije

Pritisnite gumb za provjeru na bateriji kako biste provjerili preostali kapacitet baterije. Žaruljica indikatora zasvijetlit će na nekoliko sekundi.

► **Sl.2:** 1. Žaruljice indikatora 2. Gumb za provjeru

Žaruljice indikatora			Preostali kapacitet
Svijetli	Isključeno	Treperi	
			75 % do 100 %
			50 % do 75 %
			25 % do 50 %
			0 % do 25 %
			Napunite bateriju.
			Baterija je možda neispravna.



**NAPOMENA:** Ovisno o uvjetima upotrebe i temperaturi okoline, prikaz indikatora može se donekle razlikovati od stvarnog kapaciteta.

**NAPOMENA:** Prva (krajnja lijeva) žaruljica indikatora treperit će dok radi sustav za zaštitu baterije.

## Sustav zaštite alata/baterije

Ovaj alat sadrži sustav zaštite alata/baterije. Sustav automatski prekida napajanje da bi produljio radni vijek alata i baterije. Alat automatski prestaje raditi ako se alat ili baterija nađu u nekom od sljedećih uvjeta:

### Zaštita od preopterećenja

Ta zaštita funkcionira kad se alatom ili baterijom upravlja na način koji dovodi do neuobičajeno velike potrošnje struje. U tom slučaju, isključite alat i prestanite ga upotrebljavati na način koji je izazvao preopterećenje. Zatim uključite alat kako biste ga ponovno pokrenuli.

### Zaštita od pregrijavanja

Ta zaštita funkcionira i žaruljica treperi kad se alat ili baterija pregriju. U tom slučaju pričekajte da se alat i baterija ohlade prije nego što ponovno pokrenete alat.

### Zaštita od prekomjernog pražnjenja

Ta zaštita funkcionira kad se smanji preostali kapacitet baterije. U tom slučaju izvadite bateriju iz alata i napunite je.

## Uključivanje i isključivanje

**⚠ OPREZ:** Prije umetanja baterije u alat provjerite radi li uključno/isključna sklopka i vraća li se u položaj za isključivanje „OFF” nakon otpuštanja.

Za pokretanja alata jednostavno povucite uključno/isključnu sklopku. Brzina alata povećava se povećanjem pritiska na uključno/isključnu sklopku. Za zaustavljanje alata otpustite uključno/isključnu sklopku.

► **SI.3:** 1. Uključno/isključna sklopka

**NAPOMENA:** Alat se automatski zaustavlja ako povlačite uključno/isključnu sklopku oko 6 minuta.

## Električna kočnica

Ovaj alat opremljen je električnom kočnicom. Ako se alat opetovano ne uspijeva brzo zaustaviti nakon otpuštanja uključno/isključne sklopke, odnesite alat na servisiranje u servisni centar tvrtke Makita.

## Uključuje se prednja žaruljica

**⚠ OPREZ:** Nemojte izravno gledati u svjetlo ili izvor svjetlosti.

Povucite uključno/isključnu sklopku da bi se uključila žaruljica. Žaruljica ostaje uključena dok god se povlači uključno/isključna sklopka. Žaruljica se isključuje otprilike 10 sekundi nakon otpuštanja uključno/isključne sklopke.

► **SI.4:** 1. Žaruljica

**NAPOMENA:** U slučaju pregrijavanja alat se automatski zaustavlja i žaruljica počinje treperiti. U tom slučaju otpustite uključno/isključnu sklopku. Žaruljica se isključuje nakon jedne minute.

**NAPOMENA:** Suhom krpom obrišite prljavštinu s leće žaruljice. Budite oprezni da ne zagrebete leću žaruljice jer to može smanjiti osvjetljenje.

## Rad prekidača za promjenu smjera

**⚠ OPREZ:** Uvijek provjerite smjer vrtnje prije rada.

**⚠ OPREZ:** Koristite prekidač za promjenu smjera tek kad se alat do kraja zaustavi. Promjena smjera vrtnje prije zaustavljanja može oštetiti alat.

**⚠ OPREZ:** Kad alat ne radi, uvijek postavite ručicu prekidača za promjenu smjera vrtnje u neutralan položaj.

Ovaj alat ima prekidač za promjenu smjera vrtnje. Otpustite prekidač za promjenu smjera iz strane A za zakretanje u smjeru kazaljke na satu ili iz strane B u smjeru suprotnom kazaljci na satu.

Kad je prekidač za promjenu smjera u neutralnom položaju, povlačenje uključno/isključne sklopke nije moguće.

► **SI.5:** 1. Ručica prekidača za promjenu smjera

## Promjena brzine

**⚠ OPREZ:** Uvijek postavite ručicu za promjenu brzine u točan položaj. Ako upotrebljavate alat dok je ručica za promjenu brzine postavljena na pola puta između strana „1” i „2”, alat se može oštetiti.

**⚠ OPREZ:** Ne koristite ručicu za promjenu brzine dok alat radi. Alat se može oštetiti.

Prikazani broj	Brzina	Okretni moment	Primjenjiva radnja
1	Nisko	Visoko	Rad pod velikim opterećenjem
2	Visoko	Nisko	Rad pod malim opterećenjem


Da biste promijenili brzinu, prvo isključite alat. Gurnite ručicu za promjenu brzine da bi se prikazao broj „2” za veliku brzinu ili „1” za malu brzinu no veliki moment. Ručica za promjenu brzine prije rada mora biti postavljena u točan položaj.

Ako se brzina alata značajno smanjuje tijekom rada s prikazanim brojem „2”, pomaknite ručicu kako bi se prikazao broj „1” i ponovite radnju.


► **SI.6:** 1. Ručica za promjenu brzine

## Prilagođavanje zateznog momenta

- **SI.7:** 1. Prsten za prilagodbu 2. Stupnjevanje  
3. Strelica

Zatezni moment može se prilagoditi u 22 koraka zakretanjem prstena za prilagođavanje. Poravnajte stupnjeve sa strelicom na kućištu alata. Minimalni je zatezni moment pod brojem 1, a maksimalni na oznaci .

Spojka će skliznuti na različite razine okretnog momenta kada je postavite na brojeve od 1 do 21.

Spojka ne radi s oznakom .

Prije samog rada zavijte probni vijak u željeni materijal ili uzorak materijala da biste utvrdili koja je razina okretnog momenta potrebna za tu primjenu.

Sljedeća tablica prikazuje ukivimi odnos veličine vijaka i stupnjevanja.

Stupnjevanje		1	2	3	4	5	6	7	8	9	10	11	12	13	14	15	16	17	18	19	20	21
Strojni vijak		M4						M5						M6								
Vijak za drvo	Meko drvo (npr. borovina)	–						φ3,5 x 22			φ4,1 x 38			–								
	Tvrdo drvo (npr. lauan)	–						φ3,5 x 22			φ4,1 x 38			–								

## MONTAŽA

**⚠ OPREZ:** Prije izvođenja bilo kakve radnje na alatu obavezno provjerite je li stroj isključen i baterija uklonjena.

### Postavljanje ili uklanjanje nastavka za zavrtač/nastavka za bušenje

- **SI.8:** 1. Tuljak 2. Zatvori 3. Otvori

Da biste otvorili vilice brzostezne glave, okrenite tuljak u smjeru suprotnom od smjera kazaljke na satu. Stavite nastavak za zavrtač/nastavak za bušenje do kraja u brzosteznu glavu. Da biste zategnuli brzosteznu glavu, okrenite tuljak u smjeru kazaljke na satu. Da biste uklonili nastavak za zavrtač/nastavak za bušenje, okrenite tuljak u smjeru suprotnom od smjera kazaljke na satu.

### Postavljanje kuke

**⚠ OPREZ:** Prilikom postavljanja kuke uvijek čvrsto zategnite vijak. Ako to ne učinite, kuka može pasti s alata i prouzročiti ozljede.

**⚠ OPREZ:** Dijelove za vješanje/montažu upotrebljavajte isključivo za njihove namjene. Ako se ne upotrebljavaju za svoju namjenu, može doći do nezgode ili tjelesnih ozljeda.

- **SI.9:** 1. Utor 2. Kuka 3. Vijak

Kuka služi da privremeno objesite alat. Može se postaviti s bilo koje strane alata. Da biste postavili kuku, umetnite je u utor na kućištu alata s jedne ili druge strane, a zatim je učvrstite vijkom. Za uklanjanje odvijte vijak i izvadite ga.

**NAPOMENA:** Kada alat vješate na remen s kukicom, uklonite nastavak za zavrtač/nastavak za bušenje i bočnu ručku.

## Postavljanje držača nastavka za zavrtač

### Dodatni pribor

- **SI.10:** 1. Držač nastavka za zavrtač 2. Nastavak za zavrtač

Umetnite držač nastavka za zavrtač u izbočenje u podnožju alata na desnoj ili lijevoj strani i učvrstite ga vijkom.

Dok ne koristite nastavak za zavrtač, držite ga u držačima nastavaka za zavrtač. Tamo se mogu pohraniti nastavci za zavrtač dugi 45 mm.

## Instalacija bočnog rukohvata (pomoćna ručka)

### Dodatni pribor

- **SI.11:** 1. Izbočina 2. Ručica 3. Udubina 4. Ručka

Umetnite bočnu ručku tako da izbočine na rukohvatu sjedaju u udubine na alatu. Zatim zategnite rukohvat okretanjem u smjeru kazaljke na satu.

Ovisno o radnji, bočnu ručku možete postaviti na desnu ili lijevu stranu alata.

## RAD

**⚠ OPREZ:** Uvijek umetnite bateriju do kraja tako da sjedne na mjesto. Ako možete vidjeti crveni indikator na gornjoj strani gumba, baterija nije do kraja sjela na svoje mjesto. Umetnite je do kraja tako da crveni indikator više ne bude vidljiv. U protivnom može slučajno ispasti iz alata, što može uzrokovati ozljede vas ili nekog u blizini.

**⚠ OPREZ:** U slučaju značajnog smanjenja brzine smanjite opterećenje ili zaustavite alat da se ne bi oštetio.

Čvrsto držite alat za rukohvat jednom rukom, a drugom držite donji dio baterije da biste kontrolirali uvijanje.

## Rad odvijača

**⚠ OPREZ:** Prilagodite prsten za prilagodbu na odgovarajuću razinu okretnog momenta za rad.


**⚠ OPREZ:** Nastavak za odvijač mora biti pravilno umetnut u glavu vijka ili može doći do oštećenja vijka i/ili nastavka za zavrtač.

Postavite vršak nastavka za zavrtač u glavu vijka i primijenite pritisak na alat. Pokrenite alat na maloj brzini i postupno je povećavajte. Otpustite uključno/isključnu sklopku čim se spojka usijee.

► SI.12

**NAPOMENA:** Kada uvrćete vijak za drvo, unaprijed izbušite pomoćnu rupu veličine 2/3 promjera vijka. Olakšava uvrtanje i sprječava puknuće izratka.

## Bušenje

Prvo postavite prsten za prilagodbu tako da vrh strelice pokazuje na oznaku . Potom nastavite kako slijedi.

### Bušenje drva

Pri bušenju drva najbolji se rezultati ostvaruju svrdlima za drvo s vodećim vijkom. Vodeći vijak olakšava bušenje gurajući nastavak za bušenje u izradak.

### Bušenje metala

Za sprječavanje klizanja nastavka za bušenje pri bušenju rupe napravite urez u središtu rupe za bušenje i udarite u točku u kojoj treba bušiti. Postavite vrh nastavka za bušenje u urez i počnite bušiti. Koristite mazivo za rezanje kad bušite metale. Izuzeci od ovog su željezo i bronca koje treba bušiti suhe.

**⚠ OPREZ:** Jače pritiskanje alata neće ubrzati bušenje. Štoviše, dodatni će pritisak samo oštetiti vrh vašeg nastavka za bušenje, smanjiti performanse alata i skratiti njegov radni vijek.

**⚠ OPREZ:** Čvrsto držite alat i obratite posebnu pozornost kad nastavak za bušenje počne prolaziti kroz izradak. Pri bušenju rupe na alat/nastavak za bušenje utječe velika sila.

**⚠ OPREZ:** Nastavak za bušenje koji se zaglavi lako se može ukloniti postavljanjem prekidača u obrnuti smjer vrtnje da bi ga povukao van. No alat može naglo odskočiti unatrag ako ga ne držite čvrsto.

**⚠ OPREZ:** Izratke uvijek držite u škripcu ili sličnom uređaju.

**⚠ OPREZ:** Ako alat kontinuirano radi sve dok se baterija ne isprazni, ostavite alat da odstoji 15 minuta prije nastavka s novom baterijom.

## ODRŽAVANJE

**⚠ OPREZ:** Prije svih zahvata na stroju provjerite jeste li isključili stroj i uklonili bateriju.

**NAPOMENA:** Nikada nemojte koristiti benzin, mješavinu benzina, razrjeđivač, alkohol ili slično. Kao rezultat toga može se izgubiti boja, pojaviti deformacija ili pukotine.

Da biste zadržali SIGURNOST I POUZDANOST proizvoda, održavanje ili namještanja trebali biste prepustiti ovlaštenim servisnim ili tvorničkim centrima tvrtke Makita; uvijek rabite originalne rezervne dijelove.

## DODATNI PRIBOR

**⚠ OPREZ:** Ovaj dodatni pribor ili priključci preporučuju se samo za upotrebu s alatom Makita navedenim u ovom priručniku. Upotreba bilo kojeg drugog dodatnog pribora ili priključaka može prouzročiti ozljede. Upotrebljavajte dodatni pribor ili priključak samo za njegovu navedenu svrhu.

Ako vam je potrebna pomoć za više detalja u pogledu ovih dodatnih pribora, obratite se najbližem Makita servisnom centru.

- Nastavci za bušenje
- Nastavci za zavrtač
- Držač nastavka za zavrtač
- Kuka
- Bočna ručica
- Izvorna Makita baterija i punjač

**NAPOMENA:** Neke stavke iz popisa se mogu isporučiti zajedno sa strojem kao standardni dodatni pribori. Oni mogu biti različiti ovisno o zemlji.

## СПЕЦИФИКАЦИИ

Модел:		DF002G
Капацитет на дупчење	Челик	13 мм
	Дрво	Спирална бургија: 38 мм Бургија со самотуркање: 38 мм Пила за дупки: 51 мм
Капацитети на затегнување	Шраф за дрво	10 мм x 90 мм
	Машински шраф	M6
Брзина без оптоварување (врт./мин.)	Висока (2)	0 - 2.200 мин. <sup>-1</sup>
	Ниска (1)	0 - 600 мин. <sup>-1</sup>
Вкупна должина		164 мм
Номинален напон		D.C. 36 V - 40 V макс.
Нето тежина		1,9 - 2,8 кг

- Поради нашата континуирана програма за истражување и развој, спецификациите тука подлежат на промена без најава.
- Спецификациите може да се разликуваат од држава до држава.
- Тежината може да се разликува во зависност од додатоците, вклучувајќи ја и касетата за батерија. Најлесната и најтешката комбинација, согласно процедурата на ЕПТА 01/2014 (Европската асоцијација за електрични алати), се прикажани во табелата.

## Применлива касета за батерија и полнач

Касета за батерија	BL4020* / BL4025* / BL4040* / BL4050F * : Препорачана батерија
Полнач	DC40RA / DC40RB / DC40RC

- Некои од касетите за батерији и полначите наведени погоре може да не се достапни зависно од регионот во кој живеете.

**▲ ПРЕДУПРЕДУВАЊЕ:** Користете ги само касетите за батерији и полначите наведени погоре. Користењето какви било поинакви касети за батерији и полначи може да создаде ризик од повреда и/или пожар.

## Наменета употреба

Алатот е наменет за дупчење и завртување завртки во дрво, метал и пластика.

## Бучава

Типична А-вредност за ниво на бучавата одредена во согласност со EN62841-2-1:

Ниво на звучниот притисок ( $L_{pA}$ ): 78 dB (A)

Отстапување (K): 3 dB (A)

Нивото на бучава при работа може да надмине 80 dB (A).

**НАПОМЕНА:** Номиналната вредност(и) за емисија на бучава е измерена во согласност со стандардни методи за испитување и може да се користи за споредување алати.

**НАПОМЕНА:** Номиналната вредност(и) за емисија на бучава може да се користи и како прелиминарна процена за изложеност.

**▲ ПРЕДУПРЕДУВАЊЕ:** Носете заштита за ушите.

**▲ ПРЕДУПРЕДУВАЊЕ:** Емисијата на бучава при фактичкото користење на алатот може да се разликува од номиналната вредност(и), зависно од начинот на којшто се користи алатот, особено од тоа како вид работен материјал се обработува.

**▲ ПРЕДУПРЕДУВАЊЕ:** Погрижете се да ги утврдите безбедносните мерки за заштита на лицето кое ракува со алатот врз основа на процена на изложеноста при фактичките услови на употреба (земајќи ги предвид сите делови на работниот циклус, како периодите кога електричниот алат е исклучен и кога работи во празен од, не само кога е активен).

## Вибрации

Вкупна вредност на вибрациите (векторска сума на три оски) одредена во согласност со EN62841-2-1: Работен режим: дупчење во метал  
Ширење вибрации ( $a_{h,D}$ ): 2,5 м/с<sup>2</sup> или помалку  
Отстапување (K): 1,5 м/с<sup>2</sup>

**НАПОМЕНА:** Вкупната вредност(и) на номиналната јачина на вибрациите е измерена во согласност со стандардни методи за испитување и може да се користи за споредување алати.

**НАПОМЕНА:** Вкупната вредност(и) на номиналната јачина на вибрациите може да се користи и како прелиминарна процена за изложеност.

**▲ ПРЕДУПРЕДУВАЊЕ:** Јачината на вибрациите при фактичкото користење на алатот може да се разликува од номиналната вредност(и), зависно од начинот на којшто се користи алатот, особено од тоа како вид работен материјал се обработува.

**▲ ПРЕДУПРЕДУВАЊЕ:** Погрижете се да ги утврдите безбедносните мерки за заштита на лицето кое ракува со алатот врз основа на процена на изложеноста при фактичките услови на употреба (земајќи ги предвид сите делови на работниот циклус, како периодите кога електричниот алат е исклучен и кога работи во празен од, не само кога е активен).

## Декларација за сообразност од ЕУ

### Само за земјите во Европа

Декларацијата за сообразност од ЕУ е вклучена во Додаток А од упатствата за корисникот.

## БЕЗБЕДНОСНИ ПРЕДУПРЕДУВАЊА

### Општи упатства за безбедност за електричните алати

**▲ ПРЕДУПРЕДУВАЊЕ:** Прочитајте ги сите безбедносни предупредувања, упатства, илустрации и спецификации дадени со електричниот алат. Ако не се почитуваат сите упатства наведени подолу, може да дојде до струен удар, пожар и/или сериозни повреди.

## Чувајте ги сите предупредувања и упатства за да може повторно да ги прочитате.

Под терминот „електричен алат“ во предупредувањата се мисли на вашиот електричен алат кој работи на струја (со кабел) или на батерии (безжично).

### Безбедносни предупредувања за безжична шрафцигер-дупчалка

#### Безбедносни упатства за сите работи

1. Држете го алатот за изолираните држачи кога вршите работи каде што додатокот за сечење или спојките може да дојдат во допир со скриени жици. Додатокот за сечење или спојките што ќе допрат жица под напон може да ја пренесат струјата до металните делови на алатот и да предизвикаат струен удар кај лицето што ракува со алатот.

2. Бидете сигурни дека секогаш стоите на цврста подлога. Уверете се дека под Вас нема никој кога го користите алатот на високи места.
3. Цврсто држете го алатот.
4. Не допирајте ги вртливите делови.
5. Не оставајте го алатот вклучен. Работете со алатот само кога кога го држите в раце.
6. Не допирајте ја бургијата или работниот материјал или струготините веднаш по работата; тие може да бидат многу жешки и да ви ја изгорат кожата.
7. Некои материјали содржат хемикалии што можат да бидат отровни. Избегнувајте вдишување на прашината и избегнувајте контакт на прашината со кожата. Следете ги упатствата од производителот на материјалот.
8. Ако бургијата не може да се олабави дури и ако сте ги отвориле стегите, користете клешти за да ја извадите. Во таков случај, вадете го на бургијата со рака може да резултира со повреда од нејзиниот остар раб.
9. Внимавајте да нема електрични кабли, цевки за вода, цевки за плин итн. што може да предизвикаат опасност доколку се оштетат со употребата на алатот.

#### Безбедносни упатства кога се користат долги бургии за дупчење

1. Не работете со брзина поголема од максималната работна брзина на бургијата за дупчење. На поголеми брзини бургијата веројатно ќе се свитка ако се дозволи да се врти слободно без допирање на работниот материјал, што ќе резултира со телесна повреда.
2. Секогаш започнете со дупчење на мала брзина и со врвот на бургијата во допир со работниот материјал. На поголеми брзини бургијата веројатно ќе се свитка ако се дозволи да се врти слободно без допирање на работниот материјал, што ќе резултира со телесна повреда.
3. Притискајте само во директна линија со бургијата и не притискајте прекумерно. Бургиите може да се скршат или да предизвикаат губење на контролата, што ќе резултира со телесна повреда.

## ЧУВАЈТЕ ГО УПАТСТВОТО.

**▲ ПРЕДУПРЕДУВАЊЕ:** НЕ ДОЗВОЛУВАЈТЕ удобноста или познавањето на производот (стекнати со подолга употреба) да ве наведат да не се придржувате строго до безбедносните правила за овој производ. ЗЛОУПОТРЕБАТА или непочитувањето на безбедносните правила наведени во ова упатство може да предизвикаат тешка телесна повреда.

## Важни безбедносни упатства за касетата за батеријата

1. Пред користење на касетата за батеријата, прочитајте ги сите упатства и ознаки за претпазливост на (1) полначот за батеријата, (2) батеријата и (3) производот што ја користи батеријата.
2. Не расклопувајте ја, ниту експериментирајте со касетата за батеријата. Тоа може да резултира со оган, прекумерна топлина или експлозија.
3. Ако оперативното времето станало прекумерно кратко, престанете веднаш со работа. Тоа може да резултира со ризик од прегревање, можни изгореници, па дури и експлозија.
4. Ако електролит навлезе во вашите очи, измијте ги со чиста вода и побарајте медицинска нега веднаш. Тоа може да резултира со губење на вашиот вид.
5. Не предизвикувајте спој на касетата за батеријата.
  - (1) Не допирајте ги контактите со никаков проводлив материјал.
  - (2) Избегнувајте да ја чувате касетата за батерија во сад со други метални предмети како што се шајки, монети и сл.
  - (3) На изложувајте ја касетата за батеријата на вода или дожд.Краткиот спој на батеријата може да предизвика голем проток на електрична енергија, прегревање, можни изгореници, па дури и пад на напојувањето.
6. Не складирајте и не користете ги алатот и касетата за батеријата на места каде што температурата може да достигне или надминува 50 °C (122 °F).
7. Не палете ја касетата за батеријата дури и кога е многу оштетена или целосно потрошена. Касетата за батеријата може да експлодира ако се стави во оган.
8. Не заковувајте ја, сечете ја, фрлајте ја, испуштајте ја касетата за батерија, ниту удирајте ја од тврд предмет касетата за батерија. Таквото однесување може да резултира со оган, прекумерна топлина или експлозија.
9. Не користете оштетена батерија.
10. Содржаните батерии со литиумови јони се подложни на условите во Правилата за опасни предмети. За комерцијален транспорт на пр. од трети лица и посредници, мора да се следат посебните услови на пакувањата или ознаките. При подготовка на предметот кој треба да се испрати, консултирајте се со експерт за опасни материјали. Исто така, следете ги потенцијално подеталните национални правила. Залепете ги со леплива лента или маскирајте ги отворените контакти, а батеријата спакувајте ја, така што нема да се движи слободно во пакувањето.
11. Кога ја фрлате во отпад касетата за батеријата, извадете ја од алатот и фрлете ја на безбедно место. Почитувајте ги локалните законски прописи што се однесуваат на фрлање во отпад на батеријата.
12. Користете ги батериите само со производите назначени од Makita. Монтирањето батерии на неусогласените производи може да резултира со пожар, прекумерна топлина, експлозија или истекување на електролитот.
13. Доколку алатот не се користи подолг временски период, батеријата мора да се извади од алатот.
14. Пред и по употребата, касетата за батеријата може да прими топлина што може да предизвика изгореници или изгореници од ниска температура. Внимавајте како ракувате со жешките касети за батерии.
15. Не допирајте го терминалот на алатот непосредно по употребата бидејќи може да се загрее доволно за да предизвика изгореници.
16. Не дозволувајте деланки, прав или земја да се заглават во терминалите, отворите и жлебовите на касетата за батерија. Тоа може да резултира со слаба изведба или пад на напојувањето на алатот или касетата за батерија.
17. Освен ако алатката не поддржува употреба на електричните далноводи со висок напон во близина, не користете ја касетата за батерија во близина на електричните далноводи со висок напон. Тоа може да резултира со дефект или пад на напојувањето на алатот или касетата за батерија.
18. Држете ја батеријата подалеку од деца.

## ЧУВАЈТЕ ГО УПАТСТВОТО.

**⚠ВАЖНО:** Користете само оригинални батерии на Makita. Користењето неоригинални батерии на Makita или батерии што се изменети може да резултира со распукување на батеријата, предизвикувајќи пожар, телесна повреда и оштетување. Тоа исто така ќе ја поништи гаранцијата на Makita за алатот и полначот на Makita.

## Совети за одржување максимален работен век на батеријата

1. Заменете ја касетата за батеријата пред целосно да се испразни. Секогаш запирајте ја работата со алатот и заменете ја касетата за батеријата кога ќе забележите дека алатот дава помала моќност.
2. Никогаш немојте да полните целосно полна касета за батерија. Прекумерното полнење го скратува работниот век на батеријата.
3. Полнете ја касетата за батеријата на собна температура од 10°C - 40°C. Дозволете загреаната касета за батерија да се олади пред да ја ставите на полнење.
4. Кога не ја користите касетата за батерија, извадете ја алатот или полначот.
5. Полнете ја касетата за батеријата доколку не ја користите подолго време (повеќе од шест месеци).

# ОПИС НА ФУНКЦИИТЕ

**⚠ ВНИМАНИЕ:** Пред секое нагодување или проверка на алатот, проверувајте дали е исклучен и батеријата е извадена.

## Монтирање или отстранување на касетата за батеријата

**⚠ ВНИМАНИЕ:** Секогаш исклучувајте го алатот пред ставањето или вадењето на касетата за батеријата.

**⚠ ВНИМАНИЕ:** Држете ги алатот и касетата за батеријата цврсто кога ја монтирате или вадите касетата за батеријата. Ако не ги држите цврсто алатот и касетата за батеријата, тие може да се лизнат од вашите раце и да дојде до нивно оштетување, како и до телесна повреда.

► **Сл.1:** 1. Црвен индикатор 2. Копче 3. Касета за батерија

За да ја извадите касетата за батеријата, повлечете ја од алатот додека го лизгате копчето на предната страна на касетата.

За вметнување на касетата за батеријата, порамнете го јазичето на касетата со жлебот во куќиштето и лизнете го во место. Вметнете ја до крај додека не се блокира во место при што ќе се слушне мало кликување. Ако можете да го видите црвениот индикатор на горната страна од копчето, тоа значи дека не е заклучена целосно во место.

**⚠ ВНИМАНИЕ:** Секогаш монтирајте ја касетата за батеријата целосно додека црвениот индикатор не се изгасне. Во спротивно, може ненадејно да испадне од алатот предизвикувајќи ви повреда вам или на некој друг околу вас.

**⚠ ВНИМАНИЕ:** Немојте да ја монтирате касетата за батеријата на сила. Ако касетата не може да се лизне лесно, тоа значи дека не е поставена правилно.

## Укажување на преостанатиот капацитет на батеријата

Притиснете го копчето за проверка на касетата за батеријата за укажување на преостанатиот капацитет на батеријата. Индикаторските ламбички светнуваат неколку секунди.

► **Сл.2:** 1. Индикаторски ламбички 2. Копче за проверка

Индикаторски ламбички			Преостанат капацитет
Запалено	Исклучено	Трепка	
■	□	▧	75% до 100%
■	■	■	
■	■	□	50% до 75%
■	□	□	25% до 50%
■	□	□	0% до 25%
▧	□	□	Наполнете ја батеријата.

Индикаторски ламбички			Преостанат капацитет
Запалено	Исклучено	Трепка	
■	□	▧	Батеријата можеби е неисправна.
■	■	□	
□	□	■	

**НАПОМЕНА:** Во зависност од условите на користење и амбиенталната температура, индикацијата може да се разликува во мала мера од реалниот капацитет.

**НАПОМЕНА:** Првата (најлево) ламбичка на индикаторот ќе трепка кога работи системот за заштита на батеријата.

## Систем за заштита на алатот/ батеријата

Алатот е опремен со систем за заштита на алатот/ батеријата. Овој систем автоматски го прекинува напонувањето за да го продолжи работниот век на алатот и на батеријата. Алатот автоматски ќе се исклучи за време на работењето ако тој или батеријата се најдат под еден од следниве услови:

### Заштита од преоптоварување

Оваа заштита работи кога со алатот или батеријата се ракува на начин што предизвикува тој да повлекува ненормално висока електрична енергија. Во таква ситуација, исклучете го алатот и запрете со примената што предизвикала негово преоптоварување. Потоа, повторно вклучете го алатот.

### Заштита од прегревавање

Оваа заштита работи и ламбичката трепка кога алатот или батеријата се прегреани. Во оваа ситуација, оставете ги алатот и батеријата да се оладат пред повторно да го вклучите.

### Заштита од прекумерно празнење

Оваа заштита работи кога преостанатиот капацитет на батеријата ќе дојде на ниско ниво. Во оваа ситуација, извадете ја батеријата од алатот и наполнете ја.

## Вклучување

**⚠ ВНИМАНИЕ:** Пред да ја ставите батеријата во алатот, проверете го прекинувачот дали функционира правилно и дали се враќа во положбата „OFF“ кога ќе се отпусти.

За вклучување на алатот, едноставно повлечете го прекинувачот за стартување. Брзината на алатот се зголемува со зголемување на притисокот врз прекинувачот. Отпустете го прекинувачот за да сопрете.

► **Сл.3:** 1. Прекинувач

**НАПОМЕНА:** Алатот автоматски запира ако го држите прекинувачот повлечен околу 6 минути.



## Електрична сопирачка

Алатот е опремен со електрична сопирачка. Ако алатот постојано не успева брзо да запре по отпуштање на прекинувачот за стартување, алатот треба да се однесе на сервис во сервисен центар на Makita.

## Вклучување на предната ламба

**▲ВНИМАНИЕ:** Не гледајте директно во светлината или во изворот на светлина.

Повлечете го прекинувачот за вклучување на ламбата. Ламбата продолжува да свети додека прекинувачот е повлечен. Ламбата ќе се исклучи приближно 10 секунди по отпуштањето на прекинувачот.

► **Сл.4:** 1. Ламба

**НАПОМЕНА:** Кога алатот е прегреан, тој автоматски ќе запре и ламбата ќе почне да трепка. Во овој случај, отпуштете го прекинувачот за стартување. Ламбата ќе се исклучи по една минута.

**НАПОМЕНА:** Користете сува крпа за да ја избришете нечистотијата од леќата на ламбата. Внимавајте да не ја изгребете леќата на ламбата затоа што тоа може да го намали осветлувањето.

## Прекинувач за обратна акција


**▲ВНИМАНИЕ:** Секогаш проверувајте ја насоката на ротација пред работата.

**▲ВНИМАНИЕ:** Користете го прекинувачот за обратна акција само откако алатот целосно ќе запре. Променувањето на насоката на ротација пред алатот целосно да застане може да го оштети алатот.

**▲ВНИМАНИЕ:** Кога не работите со алатот, секогаш поставувајте го прекинувачот за обратна акција во неутрална положба.

## Нагодување на вртежниот момент

► **Сл.7:** 1. Прстен за нагодување 2. Градација 3. Стрелка

Вртежниот момент на затегнување може да се постави на 22 нивоа со свртување на прстенот за нагодување. Порамнете ги градациите со стрелката на телото од алатот. На 1 се добива минимален, а на ознаката  максимален вртежен момент на затегнување.

Градација		1	2	3	4	5	6	7	8	9	10	11	12	13	14	15	16	17	18	19	20	21
Машинска завртка		M4						M5						M6								
Завртка за дрво	Мeko дрво (на пр. бор)	-						φ3,5 x 22						φ4,1 x 38								
	Цврсто дрво (на пр. шперплоча)	-						φ3,5 x 22						φ4,1 x 38								

Овој алат има прекинувач за обратна акција за променување на насоката на ротација. Отпуштете го прекинувачот за обратна акција од страна А за ротација во насока на стрелките на часовникот или од страна В за ротација во насока спротивна од стрелките на часовникот. Кога рачката на прекинувачот за обратна акција е во неутрална положба, прекинувачот за вклучување не може да се повлече.

► **Сл.5:** 1. Рачка на прекинувачот за обратна акција

## Промена на брзина

**▲ВНИМАНИЕ:** Секогаш поставувајте го лизгачот за промена на брзината целосно во соодветната положба. Ако ракувате со алатот со лизгачот за промена на брзината поставен во меѓуположба помеѓу страна „1“ и страна „2“, алатот може да се оштети.


**▲ВНИМАНИЕ:** Не користете го лизгачот за промена на брзината додека алатот работи. Алатот може да се оштети.

Прикажан број	Брзина	Вртежен момент	Соодветна работа
1	Ниско	Високо	Работа на тешко оптоварување
2	Високо	Ниско	Работа на лесно оптоварување

За да ја промените брзината, прво исклучете го алатот. Туркајте ја рачката за промена на брзината на дисплејот „2“ за висока брзина или „1“ за ниска брзина, но со висок вртежен момент. Осигурете се дека рачката за промена на брзината е во правилна положба пред работата.

Ако брзината на алатот нагло опаѓа за време на работа со дисплејот „2“, турнете ја рачката на дисплеј „1“ и рестартирајте ја операцијата.

► **Сл.6:** 1. Рачка за промена на брзина

Спојницата ќе паѓа на разни вртежни моменти кога е поставена на број од 1 до 21. Кога ќе се постави на ознаката , квалитетот не работи.

Пред да работите, ставете пробен шраф во вашиот материјал или парче дупликат материјал за да определите кој вртежен момент одговара за која примена. На следниов приказ е покажан груб водич за соодносот помеѓу големината на завртката и градацијата.



## СОСТАВУВАЊЕ

**▲ВНИМАНИЕ:** Пред секое дотерување или проверка на алатот, секогаш проверувајте дали е исклучен и батеријата е извадена.

## Монтирање или отстранување на бургијата за одвртување/дупчење

► **Сл.8:** 1. Ракав 2. Затвори 3. Отвори

Свртете го ракавот налево за да ги отворите стегите на главата. Поставете ја бургијата за одвртување/дупчење во клинот колку што може да оди. Свртете го ракавот во насока на стрелките на часовникот за да ја стегнете главата. За да ја извадите бургијата за одвртување/дупчење, свртете го ракавот во насока спротивна на стрелките на часовникот.

## Монтирање на куката

**▲ВНИМАНИЕ:** Кога ја монтирате куката, секогаш цврсто затегнете ја со шрафот. Ако не е затегната, куката може да испадне од алатот и да предизвика телесна повреда.

**▲ВНИМАНИЕ:** Користете ги деловите за закачување/монтирање само за нивните предвидени намени. Користењето за непредвидена намена може да предизвика несреќа или телесна повреда.

► **Сл.9:** 1. Жлеб 2. Кука 3. Завртка

Куката е практична за привремено закачување на алатот. Може да се монтира од двете страни на алатот. За да ја поставите куката, вметнете ја во жлебот на кукиштето на алатот од која било страна и потоа зацврстете ја со завртка. За да ја отстраните, ослабете ја завртката и извадете ја.

**ЗАБЕЛЕШКА:** Кога го закачувате алатот на ременот користејќи ја куката, извадете ја бургијата за одвртување/бургијата и страничниот држач.

## Монтирање држач за бургија за одвртување

### Опционален прибор

► **Сл.10:** 1. Држач за бургија за одвртување  
2. Бургија за одвртување

Поставете го држачот за бургии за одвртување во испакнатиот дел на долниот дел од алатот на левата или десната страна и зацврстете го со завртката. Кога не ја користите бургијата за одвртување, чувајте ја во држачот за бургии за одвртување. Овде може да се чуваат бургии за одвртување долги 45 мм.

## Монтирање на страничниот држач (помошна рачка)

### Опционален прибор

► **Сл.11:** 1. Испакнат дел 2. Рака 3. Вдлабнат дел  
4. Дршка

Вметнете го страничниот држач така што испакнатите делови на раката да влезат во испакнатите делови на алатот. Потоа, цврсто стегнете ја дршката со вртење надесно. Во зависност од работната операција, страничниот држач може да го монтирате и од десната и од левата страна на алатот.

## РАБОТЕЊЕ

**▲ВНИМАНИЕ:** Секогаш вметнувајте ја касетата со батерии до крај додека не се блокира во место. Ако можете да го видите црвениот индикатор на горната страна од копчето, тоа значи дека не е целосно блокирана во место. Вметнете ја целосно додека не се прекрие црвениот индикатор. Во спротивно, може ненадејно да испадне од алатот предизвикувајќи ви повреда вам или на некој друг околу вас.

**▲ВНИМАНИЕ:** Кога брзината нагло ќе опадне, намалете ја оптовареноста или запрете го алатот за да избегнете негово оштетување.

Држете го алатот цврсто со едната рака за дршката и другата рака на долниот дел од батеријата за контролирање на вртливото дејство.

## Одвртување/завртување

**▲ВНИМАНИЕ:** Поставете го прстенот за нагодување на соодветното ниво на вртежен момент за вашата работа.


**▲ВНИМАНИЕ:** Осигурете се дека бургијата за одвртување е вметната правилно во главата за одвртување/завртување, во спротивно завртката и/или бургијата за одвртување може да се оштетат.

Поставете го врвот на бургијата за одвртување во главата на завртката и применете притисок врз алатот. Полека стартувајте го алатот и постепено зголемувајте ја брзината. Отпуштете го прекинувачот за стартување штом завртката навлезе во материјалот.

► **Сл.12**

**НАПОМЕНА:** Кога завртувате завртка за дрво, претходно дупнете почетна дупка со дијаметар 2/3 од оној на завртката. Тоа ќе го олесни завртувањето и ќе спречи пукање на работниот материјал.

## Дупчење

Прво, свртете го прстенот за нагодување, така што стрелката ќе покажува кон ознаката . Потоа, продолжете на следниот начин.

### Дупчење во дрво

Кога дупчите во дрво, најдобрите резултати се добиваат со бургии за дрво опремени со водилка. Водилката го опеснува дупчењето со тоа што ја вовлекува бургијата за дупчење во работниот материјал.

### Дупчење во метал

За да спречите лизгање на бургијата за дупчење кога започнувате со дупка, направете вглабнување со шило и чекан на местото каде што сакате да дупчите. Поставете го врвот од бургијата за дупчење во продупченото место и започнете со дупчење. Кога дупчите во метал, користете средство за подмачкување при сечење. Исклучок од тоа се железо и месинг кои треба да се дупчат на суво.

**⚠ВНИМАНИЕ:** Притискањето силно врз алатот нема да го забрза дупчењето. Всушност, овој прекумерен притисок само ќе го оштети врвот на бургијата за дупчење, ќе ги намали перформансите на алатот и ќе го скрати неговиот работен век.

**⚠ВНИМАНИЕ:** Цврсто држете го алатот и внимателно напредувајте кога бургијата за дупчење почнува да навлегува во материјалот. Доаѓа до јака сила која делува врз алатот/ бургијата за дупчење при дупнувањето на дупката.

**⚠ВНИМАНИЕ:** Заглавената бургија за дупчење може лесно да се извади со поставување на прекинувачот за обратна акција на обратна ротација за да се повлече назад. Сепак, алатот може да отскокне наназад нагло ако не го држите доволно цврсто.

**⚠ВНИМАНИЕ:** Секогаш прицврстувајте ги работните материјали на менгеме или сличен уред за прицврстување.

**⚠ВНИМАНИЕ:** Ако алатот работи континуирано додека батеријата не се испразни, оставете го да се одмори 15 минути пред да продолжите со свежа батерија.

## ОДРЖУВАЊЕ

**⚠ВНИМАНИЕ:** Пред секоја проверка или одржување, секогаш проверувајте дали алатот е исклучен и касетата за батеријата е извадена.

**ЗАБЕЛЕШКА:** За чистење, не користете нафта, бензин, разредувач, алкохол или слично. Тие средства ја вадат бојата и може да предизвикаат деформации или пукнатини.

За да се одржи БЕЗБЕДНОСТА и СИГУРНОСТА на производот, поправките, одржувањата или дотерувањата треба да се вршат во овластени сервисни или фабрички центри на Makita, секогаш со резервни делови од Makita.

## ОПЦИОНАЛЕН ПРИБОР

**⚠ВНИМАНИЕ:** Овој прибор или додатоци се препорачуваат за користење со алатот од Makita дефиниран во упатството. Со користење друг прибор или додатоци може да се изложите на ризик од телесни повреди. Користете ги приборот и додатоците само за нивната назначена намена.

Ако ви треба помош за повеќе детали за приборот, прашајте во локалниот сервисен центар на Makita.

- Бургии за дупчење
- Бургии за одвртување
- Држач за бургија за одвртување
- Кука
- Страничен држач
- Оригинална батерија и полнач на Makita

**НАПОМЕНА:** Некои ставки на листата може да се вклучени со алатот како стандарден прибор. Тие може да се разликуваат од држава до држава.

## ТЕХНИЧКИ ПОДАЦИ

<b>Модел:</b>		<b>DF002G</b>
Капацитет бушења	Челик	13 мм
	Дрво	Бургија: 38 мм Крунаста тестера: 38 мм Тестера за бушење отвора: 51 мм
Капацитет затезања	Завртањ за дрво	10 мм x 90 мм
	Машински завртањ	М6
Брзина без оптерећења (о/мин)	Велика (2)	0 – 2.200 мин <sup>-1</sup>
	Низак (1)	0 – 600 мин <sup>-1</sup>
Укупна дужина		164 мм
Номинални напон		DC 36 V – 40 V макс.
Нето тежина		1,9 – 2,8 кг

- На основу нашег непрестаног истраживања и развоја задржавамо право измена наведених техничких података без претходне најаве.
- Спецификације могу да се разликују у различитим земљама.
- Тежина може да се разликује у зависности од наставка, укључујући и уложак батерије. Најлакша и најтежа комбинација, према процедури ЕПТА 01/2014, приказане су у табели.

### Применљив уложак батерије и пуњач

Уложак батерије	BL4020* / BL4025* / BL4040* / BL4050F *: Препоручена батерија
Пуњач	DC40RA / DC40RB / DC40RC

- Неки горенаведени улошки батерија и пуњачи можда неће бити доступни у зависности од места становања.

**▲ УПОЗОРЕЊЕ:** Користите само горенаведене улошке батерије и пуњаче. Коришћење других уложака батерије и пуњача може узроковати повреде и/или пожар.

### Намена

Алат је намењен за бушење и увртање завртања у дрво, метал и пластику.

### Бука

Типичан А-пондерисани ниво буке одређен је према стандарду EN62841-2-1:

Ниво звучног притиска ( $L_{pA}$ ): 78 dB (A)

Несигурност (K): 3 dB (A)

Ниво буке током рада може да премаше 80 dB (A).

**НАПОМЕНА:** Декларисане вредности емисије буке су измерене према стандардизованом мерном поступку и могу се користити за упоређивање алата.

**НАПОМЕНА:** Декларисана вредност емисије буке се такође може користити за прелиминарну процену изложености.

**▲ УПОЗОРЕЊЕ:** Носите заштитне слушалице.

**▲ УПОЗОРЕЊЕ:** Емисије буке током стварне примене електричног алата могу се разликовати од декларисане вредности у зависности од начина на који се користи алат, а посебно која врста предмета се обрађује.

**▲ УПОЗОРЕЊЕ:** Уверите се да сте идентификовали безбедносне мере за заштиту руковаоца које су засноване на процени изложености у стварним условима употребе (узимајући у обзир све делове радног циклуса, као што је време рада уређаја, али и време када је алат искључен и када ради у празном ходу).

### Вибрације

Укупна вредност вибрација (векторски збир по три осе) одређена је према стандарду EN62841-2-1:  
Режим рада: бушење метала  
Вредност емисије вибрација ( $a_{h,D}$ ): 2,5 m/c<sup>2</sup> или мања  
Несигурност (K): 1,5 m/c<sup>2</sup>

**НАПОМЕНА:** Декларисане укупне вредности вибрација су измерене према стандардизованом мерном поступку и могу се користити за упоређивање алата.

**НАПОМЕНА:** Декларисане укупне вредности вибрација се такође могу користити за прелиминарну процену изложености.

**▲УПОЗОРЕЊЕ:** Вредност емисије вибрација током стварне примене електричног алата може се разликовати од декларисане вредности у зависности од начина на који се користи алат, а посебно која врста предмета се обрађује.

**▲УПОЗОРЕЊЕ:** Уверите се да сте идентификовали безбедносне мере за заштиту руковаоца које су засноване на процени изложености у стварним условима употребе (узимајући у обзир све делове радног циклуса, као што је време рада уређаја, али и време када је алат искључен и када ради у празном ходу).

## ЕЗ декларација о усаглашености

*Само за европске земље*

ЕЗ декларација о усаглашености део је Додатка А у овом приручнику са упутствима.

## БЕЗБЕДНОСНА УПОЗОРЕЊА

### Општа безбедносна упозорења за електричне алате

**▲УПОЗОРЕЊЕ:** Прочитајте сва безбедносна упозорења, упутства, илустрације и спецификације које су испоручене уз овај електрични алат. Непоштовање свих доле наведених безбедносних упутстава може изазвати електрични удар, пожар и/или озбиљну повреду.

### Сачувајте сва упозорења и упутства за будуће потребе.

Термин „електрични алат“ у упозорењима односи се на електрични алат који се напаја из електричне мреже (каблом) или батерије (без кабла).

### Безбедносна упозорења за бежичну бушилицу

Безбедносна упутства за све операције

1. Електрични алат држите за изоловане рукохвате када обављате радове при којима постоји могућност да резни прибор или причвршћивач додирне скривене водове. Резни прибор или причвршћивачи који додирну струјни вод могу да ставе под напон изложене металне делове електричног алата и изложе руковаоца струјном удару.

2. Побрините се да увек имате чврст ослонац испод ногу. Уверите се да никога нема испод вас ако алат користите на високим местима.
3. Чврсто држите алат.
4. Држите руке даље од ротирајућих делова.
5. Немојте да остављате укључен алат. Алат укључите само када га држите рукама.
6. Немојте да додирујете бургију, предмет обраде нити опилке одмах после завршетка рада јер могу да буду врло врући и можете да се опечете.
7. Неки материјали садрже хемикалије које могу да буду отровне. Будите опрезни да не би дошло до удисања прашине или контакта са кожом. Следите безбедносне податке добављача материјала.
8. Ако бургију није могуће олабавити чак и ако сте отворили чељусти, извуците је клештима. Извлачење бургије рукама у оваквим ситуацијама може довести до повреде због њених оштрих ивица.
9. Уверите се да нема електричних каблова, водоводних цеви, гасних цеви итд. који могу да изазову опасност ако се оштете током коришћења алата.

### Безбедносна упутства за коришћење дугих бургија

1. Никада немојте да их користите на већој брзини од максималне наведене брзине бургије. При вишим брзинама наставак може да се савије ако се слободно окреће без додиривања предмета обраде, што може да доведе до повреде.
2. Обавезно почните да бушите при нижој брзини и тако да врх наставка додирује предмет обраде. При вишим брзинама наставак може да се савије ако се слободно окреће без додиривања предмета обраде, што може да доведе до повреде.
3. Примените притисак само у директној линији са наставком и немојте да примењујете прекомерни притисак. Наставци могу да се савију и тиме доведу до прелома или губитка контроле, што може да изазове повреду.

## САЧУВАЈТЕ ОВО УПУТСТВО.

**▲УПОЗОРЕЊЕ:** НЕМОЈТЕ себи да дозволите да занемарите строга безбедносна правила која се односе на овај производ услед чињенице да сте производ добро упознали и стекли рутину у руковању њиме (услед честог коришћења). НЕНАМЕНСКА УПОТРЕБА или непоштовање безбедносних правила наведених у овом упутству могу довести до тешких телесних повреда.

## Важна безбедносна упутства која се односе на уложак батерије

1. Пре употребе уложка батерије, прочитајте сва упутства и безбедносне ознаке на (1) пуњачу батерије, (2) батерији и (3) производу који користи батерију.
2. Не растављајте и не модификујте уложак батерије. Тиме можете да изазовете пожар, прекомерно загревање или експлозију.
3. Ако се време рада знатно скратило, одмах престаните са коришћењем. То може да доведе до ризика од прегревања, могућих опекотина, па чак и експлозије.
4. Ако електролит доспе у очи, исперите их чистом водом и одмах затражите помоћ лекара. То може да доведе до губитка вида.
5. Немојте да изазивате кратак спој уложка батерије:
  - (1) Немојте додиривати прикључке било којим проводним материјалом.
  - (2) Избегавајте складиштење уложка батерије у кутији са другим металним предметима као што ексери, новчићи итд.
  - (3) Немојте да излажете уложак батерије води или киши.

Кратак спој батерије може да доведе до великог протока струје, прегревања, могућих опекотина, па чак и прегоривања.

6. Немојте да складиштите и користите алат и уложак батерије на местима где температура може да достигне или премаше 50 °C (122 °F).
7. Немојте да палите уложак батерије чак ни када је озбиљно оштећен или потпуно похабан. Уложак батерије може да експлодира у ватри.
8. Немојте да закивате, сечете, ломите, бацате или испуштате уложак батерије, или да њиме ударате по чврстој површини. На тај начин можете да изазовете пожар, прекомерно загревање или експлозију.
9. Немојте да користите оштећену батерију.
10. Садржане литијум-јонске батерије подлежу Закону о превозу опасних материја. Приликом комерцијалног превоза, нпр. од стране трећих лица и превозника, мора се обратити посебна пажња на специјалне захтеве паковања и обележавања. Приликом припреме материјала за превоз, потребно је саветовати се са стручњаком за опасне материје. Такође обратите пажњу на евентуалне даље националне прописе. Омотајте траком или прекријте отворене контакте и запакујте батерију тако да се не може померати унутар паковања.
11. Када одлажете уложак батерије на отпад, извадите га из алата и одложите на безбедно место. Придржавајте се локалних прописа у вези са одлагањем батерије.

12. Батерије користите само са производима које је навела компанија Makita. Постављање батерије на производе који нису усаглашени може да доведе до пожара, прекомерне топлоте, експлозије или цурења електролита.
13. Ако се алат не користи током дужег периода, батерија мора да се извади из алата.
14. Током и након коришћења, уложак батерије може да акумулира толико топлоте да то може довести до опекотина, уобичајених и нискотемпературних. Пажљиво рукујте врућим улошцима батерије.
15. Не додирујте контакте алата одмах након коришћења јер су можда толико врући да могу да изазову опекотине.
16. Водите рачуна да се струготина, прашина или земља не заглаве у контактима, рупицама и жлебовима уложка батерије. У супротном може доћи до лошег учинка или прегоривања алата или уложка батерије.
17. Осим ако алат то не подржава, немојте да користите уложак батерије близу високонапонских разводних линија електричне струје. У супротном може доћи до квара или прегоривања алата или уложка батерије.
18. Држите батерију ван домаћаја деце.

## САЧУВАЈТЕ ОВО УПУТСТВО.

**▲ПАЖЊА:** Користите само оригиналне Makita батерије. Коришћење Makita батерија које нису оригиналне или батерија које су измењене може да доведе до пуцања батерије, које може да изазове пожар, телесне повреде или штету. То ће такође поништити гаранцију компаније Makita за Makita алат и пуњач.

## Савети за максимално трајање батерије

1. Напуните уложак батерије пре него што се потпуно испразни. Сваки пут прекините рад са алатом и напуните уложак батерије када приметите да је снага алата слабија.
2. Никада немојте да поново пуните потпуно напуњени уложак батерије. Препуњавање скраћује радни век батерије.
3. Пуните уложак батерије на собној температури између 10°C и 40°C (између 50°F и 104°F). Сачекајте да се врући уложак батерије охлади пре пуњења.
4. Када не користите уложак батерије, извадите га из алата или пуњача.
5. Напуните уложак батерије ако га нећете користити дуже време (више од шест месеци).

# ОПИС НАЧИНА ФУНКЦИОНИСАЊА

**▲ ПАЗЊА:** Пре подешавања или провере функција алата увек проверите да ли је алат искључен и да ли је уложак батерије уклоњен.

## Постављање и уклањање уложка батерије

**▲ ПАЗЊА:** Увек искључите алат пре постављања или уклањања уложка батерије.

**▲ ПАЗЊА:** Држите чврсто алат и уложак батерије када постављате или уклањате уложак батерије. Ако алат и уложак батерије не будете држали чврсто, могу вам исклизнути из руку, оштетити се при паду и повредити вас.

► **Слика1:** 1. Црвени индикатор 2. Дугме 3. Уложак батерије

Да бисте уклонили уложак батерије, клизањем га извучите из алата док клизањем померате дугме на предњој страни уложка.

Да бисте поставили уложак батерије, поравнајте језичак на њему са жлебом на кућишту и гурните га на место. Гурните га до краја тако да легне на своје место и чује се тихо шкљоцање. Ако можете да уочите црвени индикатор на горњој страни дугмета, то значи да уложак батерије није потпуно заључан.

**▲ ПАЗЊА:** Увек до краја гурните уложак батерије тако да се црвени индикатор не види. У супротном, он случајно може испати из алата и повредити вас или неку особу у вашој близини.

**▲ ПАЗЊА:** Немојте на силу да постављате уложак батерије. Ако уложак не можете лако да гурнете, то значи да га не постављате исправно.

## Приказ преосталог капацитета батерије

Притисните дугме за проверу на уложку батерије да бисте приказали преостали капацитет батерије. Индикаторске лампиче ће се укључити на неколико секунди.

► **Слика2:** 1. Индикаторске лампиче 2. Дугме за проверу

Индикаторске лампиче			Преостали капацитет
Светли	Искључено	Трепће	
■	□	▧	Од 75% до 100%
■	■	■	Од 50% до 75%
■	■	□	Од 25% до 50%
■	□	□	Од 0% до 25%
▧	□	□	Напуните батерију.
■	■	□	Могуће је да је батерија постала неисправна.
□	□	■	

**НАПОМЕНА:** У зависности од услова коришћења и температуре околине, приказани капацитет може донекле да се разликује од стварног.

**НАПОМЕНА:** Прва (крајња лева) индикаторска лампича трепери када систем за заштиту батерије ради.

## Систем за заштиту алата/батерије

Алат је опремљен системом за заштиту алата/ батерије. Овај систем аутоматски прекида напајање како би продужио век трајања алата и батерије. Алат ће се аутоматски зауставити током рада ако алат или батерија уђу у једно од следећих стања:

### Заштита од преоптерећења

Ова заштита ради када се алатом или батеријом рукује тако да вуче неуобичајено велику струју. У овој ситуацији, искључите алат и престаните са употребом која је довела до преоптерећења алата. Затим укључите алат да бисте га поново покренули.

### Заштита од прегревања

Ова заштита ради и лампа светли када су алат или батерија прегрејани. У овом случају, пустите да се алат и батерија охладе пре поновног укључивања алата.

### Заштита од превеликог пражњења

Ова заштита ради када се смањи преостали капацитет батерије. У том случају, уклоните батерију из алата и напуните је.

## Функционисање прекидача

**▲ ПАЗЊА:** Пре постављања уложка батерије у алат увек проверите да ли окидач прекидача ради правилно и да ли се након отпуштања враћа у положај „OFF“ (Искључено).

Да бисте активирали алат, једноставно притисните окидач прекидача. Брзину алата повећавате повећавањем притиска на окидач прекидача. Отпустите окидач прекидача да бисте зауставили алат.

► **Слика3:** 1. Окидач прекидача

**НАПОМЕНА:** Алат аутоматски престаје са радом ако узастопно повлачите окидач прекидача око 6 минута.

## Електрична кочница

Алат је опремљен електричном кочницом. Ако се више пута деси да се алат не зауставља брзо након пуштања окидача прекидача, однесите га у Makita сервисни центар.

## Укључивање предње лампе

**ПАЖЊА:** Немојте да гледате у лампу ни директно у извор светлости.

Притисните окидач прекидача да бисте укључили лампу. Лампа ће светлети све док држите притиснут окидач прекидача. Лампа ће се искључити приближно 10 секунди након што отпустите окидач прекидача.

► **Слика4:** 1. Лампа

**НАПОМЕНА:** Када је алат прегрејан, алат аутоматски престаје да ради и лампа почиње да трепће. У овом случају, отпустите окидач прекидача. Лампа се искључује за један минут.

**НАПОМЕНА:** Сувоом крпом обришите прљавштину са сочива лампе. Пазите да не огребете сочиво лампе, јер тако можете смањити осветљеност.

## Рад прекидача за окретање

**ПАЖЊА:** Увек проверите смер обртања пре рада.

**ПАЖЊА:** Користите прекидач за окретање тек након што се алат потпуно заустави. Промена смера обртања пре заустављања алата може оштетити алат.

**ПАЖЊА:** Када се алат не користи, увек поставите полуку прекидача за окретање у неутралан положај.


Овај алат има прекидач за окретање који служи за промену смера обртања. Притисните полуку прекидача за окретање са стране А за обртање у смеру кретања казаљке на сату или са стране В за обртање у супротном смеру.

Када се полука прекидача за окретање налази у неутралном положају, није могуће притиснути окидач прекидача.

► **Слика5:** 1. Полука прекидача за окретање

## Подешавање обртног момента затезања

► **Слика7:** 1. Прстен за подешавање 2. Подеоци 3. Стрелица

Обртни момент затезања може да се подеси у 22 нивоа окретањем прстена за подешавање. Поравнајте подеоке са стрелицом на телу алата. Минимални обртни момент затезања можете да добијете на подеоку 1, а максимални обртни момент са ознаком .

## Промена брзине

**ПАЖЊА:** Полуку за мењање брзине увек потпуно поставите у исправан положај. Ако алат користите док је полука за мењање брзине подешена између стране „1“ и „2“, алат се може оштетити.


**ПАЖЊА:** Немојте да користите полуку за мењање брзине док алат ради. Може доћи до оштећења алата.

Приказан број	Брзина	Обртни момент	Применљиве операције
1	Мала	Велики	Рад при великом оптерећењу
2	Велика	Мали	Рад при малом оптерећењу

Да бисте променили брзину, најпре искључите алат. Гурните полуку за мењање брзине на приказан број „2“ за велику брзину или „1“ за малу брзину, али велики обртни момент. Обавезно проверите да ли је полука за мењање брзине постављена у правилан положај пре рада.

Ако се брзина алата екстремно смањи током рада са приказаним бројем „2“, пребаците полуку на приказани број „1“ и поново почните да радите.

► **Слика6:** 1. Полука за мењање брзине

Спојка ће проклизавати на различитим нивоима обртног момента када се постави на бројеве од 1 до 21. Спојка не ради на ознаци .

Пре употребе, заврните пробни завртањ у жељени материјал или други комад истог материјала да бисте одредили ниво обртног момента који је неопходан за одређену примену.

Табела у наставку у грубим цртама указује на зону између величине завртња и подеока.

Подеоци		1	2	3	4	5	6	7	8	9	10	11	12	13	14	15	16	17	18	19	20	21
Машински завртањ		M4					M5					M6										
Завртањ за дрво	Мекo дрво (нпр. боровина)	-					φ3,5 x 22					φ4,1 x 38										
	Тврдо дрво (нпр. шперплоча)	-					φ3,5 x 22					φ4,1 x 38					-					



## СКЛАПАЊЕ

**⚠ ПАЖЊА:** Пре обављања било каквог посла на алату увек проверите да ли је он искључен и да ли је уложак батерије уклоњен.

### Постављање и уклањање уметка за завртање или бургије

► **Слика8:** 1. Наглавак 2. Затварање 3. Отварање

Окрените наглавак у смеру супротном кретању казаљке на сату да бисте отворили чељусти стезне главе. Поставите уметак за завртање, односно бургију у стезну главу до краја. Окрените наглавак у смеру кретања казаљке на сату да бисте притегнули стезну главу. Да бисте уклонили уметак за завртање, односно бургију, окрените наглавак у смеру супротном кретању казаљке на сату.

### Постављање куке

**⚠ ПАЖЊА:** Приликом постављање куке, увек је чврсто затегните помоћу завртња. У супротном кука може да испадне из алата и да изазове телесне повреде.

**⚠ ПАЖЊА:** Висеће делове/делове за постављање користите само за предвиђену намену. Коришћење у сврхе које нису предвиђене може да изазове незгоду или телесну повреду.

► **Слика9:** 1. Жлеб 2. Кука 3. Завртањ

Кука је згодна за привремено качење алата. Можете је поставити на било коју страну алата. Да бисте поставили куку, убаците је у жлеб на кућишту алата на било којој страни и причврстите је завртњем. Да бисте је уклонили, отпустите завртањ и извуците је.

**ОБАВЕШТЕЊЕ:** Када качите алат на каиш помоћу куке, уклоните уметак за завртање/ бургију и бочни рукохват.

### Постављање држача уметка за завртање

*Опциони додатни прибор*

► **Слика10:** 1. Држач уметка за завртање 2. Уметак за завртање

Поставите држач уметка за завртање у испупчење на левој или десној страни подножја алата и причврстите га завртњем.

Када не користите уметак за завртање, чувајте га у држачу уметка за завртање. У њему можете чувати уметке за завртање дужине 45 мм.

## Инсталирање бочне дршке (помоћна дршка)

*Опциони додатни прибор*

► **Слика11:** 1. Испупчење 2. Крак 3. Удубљење 4. Рукохват

Уметните бочни рукохват тако да испупчења на рукохвату улегну у удубљења на алату. Затим затегните рукохват окрећући супротно од смера казаљке на сату.

У зависности од радова, можете да монтирате бочни рукохват на десној или левој страни алата.

## РАД

**⚠ ПАЖЊА:** Увек уметните уложак батерије до краја, тако да легне на своје место. Ако можете да уочите црвени индикатор на горњој страни дугмета, то значи да уложак батерије није потпуно закључан. Убаците га у потпуности тако да се црвени индикатор не може видети. У супротном, он случајно може испасти из алата и повредити вас или неку особу у вашој близини.

**⚠ ПАЖЊА:** Ако брзина драстично опадне, смањите оптерећење или зауставите алат да бисте избегли његово оштећење.

Чврсто држите алат тако што ћете једну руку поставити на ручку, а другу са доње стране улошка батерије како бисте контролисали покрете увртања.

### Завртање

**⚠ ПАЖЊА:** Подесите прстен за подешавање на одговарајући ниво обртног момента.


**⚠ ПАЖЊА:** Уверите се да је уметак за завртање постављен вертикално у главу завртња, јер у супротном завртањ и/или уметак за завртање могу да се оштете.

Поставите врх уметка за завртање у главу завртња и притисните алат. Покрените алат лагано, а затим постепено повећавајте брзину. Пустите окидач прекидача чим се спојница активира.

► **Слика12**

**НАПОМЕНА:** Када завршете завртањ за дрво, претходно избушите отвор за вођење ширине 2/3 пречника завртња. Тиме ћете олакшати завртање и спречити цепање предмета обраде.

## Бушење

Најпре окрените прстен за подешавање тако да стрелица буде усмерена ка ознаци . Потом наставите на следећи начин.

### Бушење дрвета

Приликом бушења дрвета, најбољи резултати се постижу бушилицама за дрво опремљеним завртњем за вођење. Завртањ за вођење олакшава бушење увлачењем бургије у предмет обраде.

### Бушење метала

Да бисте спречили да бургија склизне на почетку бушења рупе, направите удубљење на месту бушења бушачем и чекићем. Поставите врх бургије у удубљење и започните бушење. Користите мазиво за сечење када бушите метал. Изузетак представљају гвожђе и месинг, које треба бушити на суво.

**⚠ПАЖЊА:** Прекомерним притискањем алата нећете убрзати бушење. Штавише, прекомерно притискање само оштећује врх бургије, смањује учинак алата и скраћује његов радни век.

**⚠ПАЖЊА:** Држите алат чврсто и будите пажљиви у тренутку када бургија почне да пробија предмет обраде. У тренутку пробијања рупе, на алат/бургију делује огромна сила.

**⚠ПАЖЊА:** Заглављена бургија се може једноставно уклонити подешавањем прекидача за окретање на ротацију у супротном смеру ради вађења. Међутим, алат може одскочити нагло ако га не држите чврсто.

**⚠ПАЖЊА:** Увек причврстите предмете обраде стегом или сличним уређајем за причвршћивање.

**⚠ПАЖЊА:** Ако се алат користи без престанка док се уложак батерије не испразни, оставите га да се охлади 15 минута пре него што наставите рад са свежом батеријом.

## ОДРЖАВАЊЕ

**⚠ПАЖЊА:** Пре него што почнете с прегледом или одржавањем алата, искључите алат и уклоните уложак батерије.

**ОБАВЕШТЕЊЕ:** Никад немојте да користите нафту, бензин, разређивач, алкохол и слична средства. Може доћи до губитка боје, деформације или оштећења.

БЕЗБЕДАН и ПОУЗДАН рад алата гарантујемо само ако поправке, свако друго одржавање или подешавање, препустите овлашћеном сервису компаније Makita или фабричком сервису, уз употребу оригиналних резервних делова компаније Makita.

## ОПЦИОНИ ПРИБОР

**⚠ПАЖЊА:** Ова опрема и прибор су предвиђени за употребу са алатом Makita описаним у овом упутству за употребу. Употреба друге опреме и прибора може да доведе до повреда. Користите делове прибора или опрему искључиво за предвиђену намену.

Да бисте добили више детаља у вези са овим прибором, обратите се локалном сервисном центру компаније Makita.

- Бургије
- Умеци за завртање
- Држач уметка за завртање
- Кука
- Бочни рукохват
- Makita оригинална батерија и пуњач

**НАПОМЕНА:** Поједине ставке на листи могу бити укључене у садржај паковања алата као стандардна опрема. Оне се могу разликовати од земље до земље.

## SPECIFICAȚII

<b>Model:</b>		<b>DF002G</b>
Capacități de găurire	Oțel	13 mm
	Lemn	Burghiu cilindric: 38 mm Burghiu cu alimentare automată: 38 mm Coroană de găurit: 51 mm
Capacități de străngere	Șurub pentru lemn	10 mm x 90 mm
	Șurub mecanic	M6
Turație în gol (RPM)	Nivel ridicat (2)	0 - 2.200 min <sup>-1</sup>
	Nivel scăzut (1)	0 - 600 min <sup>-1</sup>
Lungime totală		164 mm
Tensiune nominală		Max. 36 V - 40 V cc.
Greutate netă		1,9 - 2,8 kg

- Datorită programului nostru continuu de cercetare și dezvoltare, specificațiile pot fi modificate fără o notificare prealabilă.
- Specificațiile pot varia în funcție de țară.
- Greutatea poate diferi în funcție de accesoriu(ii), inclusiv cartușul acumulatorului. În tabel se prezintă combinația cea mai ușoară și cea mai grea, conform Procedurii EPTA 01/2014.

## Cartușul acumulatorului și încărcătorul aplicabile

Cartușul acumulatorului	BL4020* / BL4025* / BL4040* / BL4050F * : Acumulator recomandat
Încărcător	DC40RA / DC40RB / DC40RC

- Este posibil ca unele cartușe ale acumulatorilor și încărcătoare menționate mai sus să nu fie disponibile în funcție de regiunea dvs. de reședință.

**⚠️ AVERTIZARE:** Utilizați numai cartușele de acumulator și încărcătoarele enumerate mai sus. Utilizarea oricăror altor cartușe de acumulator și încărcătoare poate duce la rănire și/sau incendiu.

### Destinația de utilizare

Mașina este destinată găuririi și înșurubării în lemn, metal și plastic.

### Zgomot

Nivelul de zgomot normal ponderat A determinat în conformitate cu EN62841-2-1:

Nivel de presiune acustică ( $L_{pA}$ ): 78 dB(A)

Marjă de eroare (K): 3 dB(A)

Nivelul de zgomot în timpul funcționării poate depăși 80 dB (A).

**NOTĂ:** Valoarea (valorile) totală(e) a (ale) emisiilor de zgomot declarate a(u) fost măsurată(e) în conformitate cu o metodă de test standard și poate (pot) fi utilizată(e) pentru compararea unei unelte cu alta.

**NOTĂ:** Valoarea (valorile) totală(e) a (ale) emisiilor de zgomot declarate poate (pot) fi, de asemenea, utilizată(e) într-o evaluare preliminară a expunerii.

**⚠️ AVERTIZARE:** Purtați echipament de protecție pentru urechi.

**⚠️ AVERTIZARE:** Emisiile de zgomot în timpul utilizării efective a unei unelte electrice poate diferi de valoarea (valorile) nivelului declarat, în funcție de modul în care uneltea este utilizată, în special ce fel de piesă este prelucrată.

**⚠️ AVERTIZARE:** Asigurați-vă că identificați măsurile de siguranță pentru a proteja operatorul, acestea fiind bazate pe o estimare a expunerii în condiții reale de utilizare (luând în considerare toate părțile ciclului de operare, precum timpii în care uneltea a fost oprită, sau a funcționat în gol, pe lângă timpul de declanșare).

### Vibrații

Valoarea totală a vibrațiilor (suma vectorilor tri-axiali) determinată conform EN62841-2-1:

Mod de lucru: găurirea metalului

Emisie de vibrații ( $a_{h,D}$ ): 2,5 m/s<sup>2</sup> sau mai puțin

Marjă de eroare (K): 1,5 m/s<sup>2</sup>

**NOTĂ:** Valoarea (valorile) totală(e) a (ale) nivelului de vibrații declarat a (au) fost măsurată(e) în conformitate cu o metodă de test standard și poate (pot) fi utilizată(e) pentru compararea unei unelte cu alta.

**NOTĂ:** Valoarea (valorile) totală(e) a (ale) nivelului de vibrații declarat poate (pot) fi, de asemenea, utilizată(e) într-o evaluare preliminară a expunerii.

**⚠️ AVERTIZARE:** Nivelul de vibrații în timpul utilizării efective a unelei electrice poate diferi de valoarea (valorile) nivelului declarat, în funcție de modul în care unealta este utilizată, în special ce fel de piesă este prelucrată.

**⚠️ AVERTIZARE:** Asigurați-vă că identificați măsurile de siguranță pentru a proteja operatorul, acestea fiind bazate pe o estimare a expunerii în condiții reale de utilizare (luând în considerare toate părțile ciclului de operare, precum timpii în care unealta a fost oprită, sau a funcționat în gol, pe lângă timpul de declanșare).

## Declarație de conformitate CE

### Numai pentru țările europene

Declarația de conformitate CE este inclusă ca Anexa A în acest manual de instrucțiuni.

## AVERTIZĂRI DE SIGURANȚĂ

### Avertismente generale de siguranță pentru mașinile electrice

**⚠️ AVERTIZARE:** Citiți toate avertismentele privind siguranța, instrucțiunile, ilustrațiile și specificațiile furnizate cu această sculă electrică. Nerespectarea integrală a instrucțiunilor de mai jos poate cauza electrocutări, incendii și/sau vătămări corporale grave.

### Păstrați toate avertismentele și instrucțiunile pentru consultări ulterioare.

Termenul „mașină electrică” din avertizări se referă la mașinile dumneavoastră electrice acționate de la rețea (prin cablu) sau cu acumulator (fără cablu).

### Avertismente privind siguranța pentru mașina de găurit și înșurubat cu acumulator

Instrucțiuni privind siguranța pentru toate operațiunile

1. **Țineți mașina electrică de suprafețele de prindere izolate atunci când executați o operațiune în timpul căreia accesoriul de tăiere sau dispozitivele de fixare pot intra în contact cu cabluri ascunse.** Accesoriul de tăiere sau dispozitivele de fixare care intră în contact cu un cablu aflat sub tensiune pot pune sub tensiune componentele metalice neizolate ale mașinii electrice și pot supune operatorul la șoc electric.

2. **Păstrați-vă echilibrul. Asigurați-vă că nu se află nicio persoană dedesubt atunci când folosiți mașina la înălțime.**
3. **Țineți bine mașina.**
4. **Nu atingeți piesele în mișcare.**
5. **Nu lăsați mașina în funcțiune. Folosiți mașina numai când o țineți cu mâinile.**
6. **Nu atingeți pânza capul de burghiu, piesa de prelucrat sau așchiile imediat după executarea lucrării; acestea pot fi extrem de fierbinți și pot provoca arsuri ale pielii.**
7. **Acele materiale conțin substanțe chimice care pot fi toxice. Aveți grijă să nu inhalați praful și evitați contactul cu pielea. Respectați instrucțiunile de siguranță ale furnizorului.**
8. **În cazul în care capul de burghiu nu poate fi slăbit cu toate că deschideți fălcile, utilizați un clește pentru a-l trage afară. Într-un astfel de caz, tragerea manuală a capului de burghiu poate duce la vătămare din cauza marginii ascuțite a acestuia.**
9. **Asigurați-vă că nu există cabluri electrice, conducte de apă, conducte de gaz etc., care ar putea provoca un pericol în cazul în care ar fi deteriorate prin folosirea mașinii.**

Instrucțiuni privind siguranța atunci când utilizați capete lungi de burghiu

1. **Nu utilizați mașina la o viteză mai mare decât viteza maximă specificată a capului de burghiu.** La viteze mai mari, capul de burghiu se poate îndoi dacă se rotește liber fără să intre în contact cu piesa de prelucrat, provocând accidentări.
2. **Începeți întotdeauna să găuriți la o viteză redusă și ținând vârful capului de burghiu în contact cu piesa de prelucrat.** La viteze mai mari, capul de burghiu se poate îndoi dacă se rotește liber fără să intre în contact cu piesa de prelucrat, provocând accidentări.
3. **Aplicați presiune numai pe direcția capului de burghiu și nu aplicați presiune excesivă.** Capetele se pot îndoi provocând ruperi sau pierderea controlului, ducând la accidentări.

## PĂSTRAȚI ACESTE INSTRUCȚIUNI.

**⚠️ AVERTIZARE:** NU permiteți comodității și familiarizării cu produsul (obținute prin utilizare repetată) să înlocuiască respectarea strictă a normelor de securitate pentru acest produs. **FOLOSIREA INCORECTĂ** sau nerespectarea normelor de securitate din acest manual de instrucțiuni poate provoca vătămări corporale grave.

## Instrucțiuni importante privind siguranța pentru cartușul acumulatorului

1. Înainte de a folosi cartușul acumulatorului, citiți toate instrucțiunile și atenționările de pe (1) încărcătorul acumulatorului, (2) acumulator și (3) produsul care folosește acumulatorul.
2. Nu dezamblați și nu interveniți asupra cartușului acumulatorului. Acest lucru poate cauza incendii, căldură excesivă sau explozii.
3. Dacă timpul de funcționare s-a redus excesiv, întrerupeți imediat funcționarea. Aceasta poate prezenta risc de supraîncălzire, posibile arsuri și chiar explozie.
4. Dacă electrolitul pătrunde în ochi, clătiți bine ochii cu apă curată și consultați imediat un medic. Există risc de orbire.
5. Nu scurtcircuitați cartușul acumulatorului:
  - (1) Nu atingeți bornele cu niciun material conductor.
  - (2) Evitați depozitarea cartușului acumulatorului la un loc cu alte obiecte metalice cum ar fi cuie, monede etc.
  - (3) Nu expuneți cartușul acumulatorului la apă sau ploaie.

Un scurtcircuit al acumulatorului poate provoca un flux puternic de curent electric, supraîncălzire, posibile arsuri și chiar defectarea mașinii.
6. Nu depozitați și nu utilizați mașina și cartușul acumulatorului în locuri în care temperatura poate atinge sau depăși 50 °C (122 °F).
7. Nu incinerati cartușul acumulatorului chiar dacă acesta este grav deteriorat sau complet uzat. Cartușul acumulatorului poate exploda în foc.
8. Nu introduceți cuie în cartușul acumulatorului, nu îl tăiați, striviți, aruncați sau scăpați și nu îl loviți cu un obiect dur. Astfel de acțiuni pot provoca incendii, căldură excesivă sau explozii.
9. Nu utilizați un acumulator deteriorat.
10. Acumulatorii Li-Ion încorporați se supun cerințelor Legislației privind substanțele periculoase.

Pentru transporturi comerciale, efectuate de exemplu de către părți terțe, expeditori, trebuie respectate cerințele speciale de ambalare și etichetare.

Pentru pregătirea articolului care urmează să fie expediat, este necesară consultarea unui expert în materiale periculoase. Vă rugăm să respectați, de asemenea, reglementările naționale, care pot fi mai detaliate.

Izolați sau acoperiți contactele deschise și împachetați acumulatorul în așa fel încât să nu se poată mișca în ambalaj.
11. Atunci când eliminați la deșeuri cartușul acumulatorului, scoateți-l din mașină și eliminați-l într-un loc sigur. Respectați normele naționale privind eliminarea la deșeuri a acumulatorului.

12. Utilizați acumuloarele numai cu produsele specificate de Makita. Instalarea acumulatorilor în produse neconforme poate cauza incendii, căldură excesivă, explozii sau scurgeri de electrolit.
13. Dacă mașina nu este utilizată o perioadă lungă de timp, acumulatorul trebuie scos din acesta.
14. În timpul utilizării și după aceea, cartușul acumulatorului se poate încălzi, ceea ce poate cauza arsuri sau arsuri la temperaturi scăzute. Fiți atenți la manipularea cartușelor de acumulator atunci când sunt fierbinți.
15. Nu atingeți borna mașinii imediat după utilizare, întrucât se poate încălzi foarte tare și poate provoca arsuri.
16. Nu lăsați să pătrundă așchii, praf sau pământ în borne, în orificii și în canalurile cartușului acumulatorului. Acest lucru poate duce la o performanță slabă sau poate cauza defectarea mașinii sau a cartușului acumulatorului.
17. Nu utilizați cartușul acumulatorului în apropierea liniilor electrice de înaltă tensiune, cu excepția cazului în care mașina suportă utilizarea în apropierea liniilor electrice de înaltă tensiune. Acest lucru poate duce la funcționarea necorespunzătoare sau la defectarea mașinii sau a cartușului acumulatorului.
18. Țineți acumulatorul la distanță de copii.

## PĂSTRAȚI ACESTE INSTRUCȚIUNI.

**⚠ATENȚIE:** Folosiți numai acumulatori Makita originali. Acumulatorii Makita care nu sunt originali și acumulatorii care au suferit modificări se pot aprinde, provocând incendii, leziuni corporale și daune. De asemenea, anulează garanția oferită de Makita pentru unealta și încărcătorul Makita.

## Sfaturi pentru obținerea unei durate maxime de exploatare a acumulatorului

1. Încărcați cartușul acumulatorului înainte de a se descărca complet. Întrerupeți întotdeauna funcționarea mașinii și încărcați cartușul acumulatorului când observați o scădere a puterii mașinii.
2. Nu reîncărcați niciodată un acumulator complet încărcat. Supraîncărcarea va scurta durata de exploatare a acumulatorului.
3. Încărcați cartușul acumulatorului la temperatura camerei, între 10 °C - 40 °C (50 °F - 104 °F). Lăsați un acumulator fierbinte să se răcească înainte de a-l încărca.
4. Atunci când nu utilizați cartușul acumulatorului, scoateți-l din mașină sau din încărcător.
5. Încărcați cartușul acumulatorului în cazul în care nu a fost utilizat pe o perioadă mai lungă (mai mult de șase luni).

# DESCRIEREA FUNCȚIILOR

**⚠️ ATENȚIE:** Asigurați-vă întotdeauna că mașina este oprită și cartușul acumulatorului este scos înainte de a ajusta sau verifica funcționarea mașinii.

## Instalarea sau scoaterea cartușului acumulatorului

**⚠️ ATENȚIE:** Opriti întotdeauna mașina înainte de montarea sau demontarea cartușului de acumulator.

**⚠️ ATENȚIE:** Țineți ferm mașina și cartușul acumulatorului la montarea sau demontarea cartușului. În cazul în care nu țineți ferm mașina și cartușul de acumulator, acestea vă pot aluneca din mâini, rezultând defectarea mașinii și cartușului de acumulator, precum și în accidentări personale.

► Fig.1: 1. Indicator roșu 2. Buton 3. Cartușul acumulatorului

Pentru a scoate cartușul acumulatorului, glisați-l din mașină în timp ce glisați butonul de pe partea frontală a cartușului.

Pentru a instala cartușul acumulatorului, aliniați limba de pe cartușul acumulatorului cu canelura din carcasă și introduceți-l în locaș. Introduceți-l complet, până când se înclichează în locaș. Dacă puteți vedea indicatorul roșu din partea superioară a butonului, acesta nu este blocat complet.

**⚠️ ATENȚIE:** Instalați întotdeauna cartușul acumulatorului complet, până când indicatorul roșu nu mai este vizibil. În caz contrar, acesta poate cădea accidental din mașină provocând rănirea dumneavoastră sau a persoanelor din jur.

**⚠️ ATENȚIE:** Nu forțați cartușul acumulatorului la montare. Dacă acesta nu glisează ușor, înseamnă că a fost introdus incorect.

## Indicarea capacității rămase a acumulatorului

Apăsăți butonul de verificare de pe cartușul acumulatorului, astfel încât să se indice capacitățile rămase ale acumulatorului. Lămpile indicatorului vor lumina timp de câteva secunde.

► Fig.2: 1. Lămpi indicatoare 2. Buton de verificare

Lămpi indicatoare			Capacitate rămasă
Iluminat	Oprit	Iluminare intermitentă	
■	□	◐	între 75% și 100%
■	■	◐	între 50% și 75%
■	□	□	între 25% și 50%
■	□	□	între 0% și 25%
◐	□	□	Încărcați acumulatorul.
■	□	□	Este posibil ca acumulatorul să fie defect.
□	□	■	

**NOTĂ:** În funcție de condițiile de utilizare și temperatura ambientală, indicația poate fi ușor diferită de capacitatea reală.

**NOTĂ:** Prima lampă indicatoare (extremitatea stângă) va lumina intermitent când sistemul de protecție a acumulatorului funcționează.

## Sistem de protecție mașină/acumulator

Mașina este prevăzută cu un sistem de protecție mașină/acumulator. Acest sistem întrerupe automat alimentarea cu energie pentru a extinde durata de funcționare a mașinii și acumulatorului. Mașina se va opri automat în timpul funcționării dacă mașina sau acumulatorul se află într-una din situațiile următoare:

### Protecție la suprasarcină

Acest sistem de protecție funcționează atunci când mașina sau acumulatorul este utilizat(ă) într-o manieră care determină atragerea unui curent de o intensitate anormal de ridicată. În această situație, opriți mașina și întrerupeți aplicația care a dus la suprasolicitarea mașinii. Apoi, reporniți mașina.

### Protecție la supraîncălzire

Acest sistem de protecție funcționează și lampa luminează intermitent atunci când mașina sau acumulatorul se supraîncăzește. În această situație, lăsați mașina și acumulatorul să se răcească înainte de a reporni mașina.

### Protecție la supradescărcare

Acest sistem de protecție funcționează atunci când capacitatea rămasă a acumulatorului este scăzută. În această situație, scoateți acumulatorul din mașină și încărcați-l.

## Acționarea întrerupătorului

**⚠️ ATENȚIE:** Înainte de a introduce cartușul acumulatorului în mașină, verificați întotdeauna dacă butonul declanșator funcționează corect și revine în poziția „OFF” (oprit) când este eliberat.

Pentru a porni mașina, trageți de butonul declanșator. Viteza mașinii poate fi crescută prin creșterea forței de apăsare pe butonul declanșator. Eliberați butonul declanșator pentru a opri mașina.

► Fig.3: 1. Buton declanșator

**NOTĂ:** Mașina se va opri automat în cazul în care trageți continuu butonul declanșator timp de aproximativ 6 minute.

## Frână electrică

Această mașină este echipată cu frână electrică. Dacă, în repetate rânduri, mașina nu se oprește rapid după ce butonul declanșator este eliberat, solicitați repararea acesteia la un centru de service Makita.

## Aprinderea lămpii frontale

**⚠️ ATENȚIE:** Nu priviți direct în raza sau în sursa de lumină.

Apăsați butonul declanșator pentru a aprinde lampa. Lampa continuă să lumineze atât timp cât butonul declanșator este apăsat. Lampa se stinge după aproximativ 10 secunde de la eliberarea butonului declanșator.

► **Fig.4:** 1. Lampă

**NOTĂ:** În momentul în care mașina se supraîncălzește, aceasta se oprește automat și lampa începe să lumineze intermitent. În acest caz, eliberați butonul declanșator. Lampa se stinge într-un minut.

**NOTĂ:** Folosiți o lavetă uscată pentru a șterge murdăria de pe lentila lămpii. Aveți grijă să nu zgăriați lentila lămpii deoarece, în caz contrar, iluminarea va fi redusă.

## Funcția inversorului

**⚠️ ATENȚIE:** Verificați întotdeauna sensul de rotație înainte de utilizare.

**⚠️ ATENȚIE:** Folosiți inversorul numai după ce mașina s-a oprit complet. Schimbarea sensului de rotație înainte de oprirea mașinii poate avaria mașina.

**⚠️ ATENȚIE:** Atunci când nu folosiți mașina, deplasați întotdeauna pârghia inversorului în poziția neutră.

Această mașină dispune de un inversor pentru schimbarea sensului de rotație. Apăsați pârghia inversorului în poziția A pentru rotire în sens orar sau în poziția B pentru rotire în sens antiorar.

Când pârghia inversorului se află în poziție neutră, butonul declanșator nu poate fi apăsat.

► **Fig.5:** 1. Pârghie de inversor

## Reglarea cuplului de strângere

► **Fig.7:** 1. Inel de reglare 2. Gradație 3. Săgeată

Cuplul de strângere poate fi reglat în 22 trepte prin rotirea inelului de reglare. Aliniați gradațiile cu săgeata de pe corpul mașinii. Puteți obține momentul de strângere minim în poziția 1 și momentul maxim la marcajul 22. Ambreiajul va patina la diferite valori ale cuplului de strângere, dacă este reglat între valorile 1 și 21. Ambreiajul nu funcționează la marcajul 22.

Gradație		1	2	3	4	5	6	7	8	9	10	11	12	13	14	15	16	17	18	19	20	21
Șurub mecanic		M4					M5										M6					
Șurub pentru lemn	Lemn moale (de ex., pin)	-					φ3,5 x 22					φ4,1 x 38					-					
	Lemn dur (de ex., mahon)	-					φ3,5 x 22					φ4,1 x 38					-					

## Schimbarea vitezei

**⚠️ ATENȚIE:** Deplasați întotdeauna complet pârghia de schimbare a vitezei în poziția corectă. Dacă folosiți mașina cu pârghia de schimbare a vitezei poziționată intermediar între poziția „1” și poziția „2”, mașina poate fi avariata.

**⚠️ ATENȚIE:** Nu folosiți pârghia de schimbare a vitezei în timpul funcționării mașinii. Mașina poate fi avariata.

Număr afișat	Viteză	Cuplu	Tip de operare aplicabil
1	Turație joasă	Turație înaltă	Operare la sarcină ridicată
2	Turație înaltă	Turație joasă	Operare la sarcină redusă

Pentru a schimba viteza, opriți mai întâi mașina.

Împingeți pârghia de schimbare a vitezei pentru a afișa „2” pentru viteză ridicată sau „1” pentru viteză redusă și cuplu ridicat. Asigurați-vă că pârghia de schimbare a vitezei se află în poziția corectă înainte de utilizare. Dacă viteza mașinii scade extrem de mult în timpul utilizării cu afișarea „2”, împingeți maneta la afișarea „1” și reluați operația.

► **Fig.6:** 1. Pârghie de schimbare a vitezei

Înainte de folosirea propriu-zisă, înșurubați un șurub de probă în materialul dvs. sau într-o bucată de material identic pentru a determina valoarea cuplului de strângere necesară pentru o anumită utilizare.

În continuare este prezentat un ghid aproximativ al relației dintre dimensiunea șurubului și gradație.



## ASAMBLARE

**⚠ATENȚIE:** Asigurați-vă întotdeauna că mașina este oprită și cartușul acumulatorului este scos înainte de a executa orice lucrări la mașină.

### Montarea sau demontarea capului de acționare/capului de burghiu

► Fig.8: 1. Mașnon 2. Închis 3. Deschis

Rotiți mașnonul în sens antiorar pentru a deschide făcile mandrinei. Introduceți capul de acționare/capul de burghiu în mandrină până când se oprește. Rotiți mașnonul în sens orar pentru a strânge mandrina. Pentru a scoate capul de acționare/capul de burghiu, rotiți mașnonul în sens antiorar.

### Instalarea cârligului

**⚠ATENȚIE:** Când instalați cârligul, strângeți-l întotdeauna ferm cu șurubelnița. În caz contrar, se poate desprinde de mașină și vă poate răni.

**⚠ATENȚIE:** Utilizați piesele de suspendare/montare numai în scopul prevăzut. Utilizarea acestora în alte scopuri ar putea conduce la accidente sau la vătămări corporale.

► Fig.9: 1. Canelură 2. Cârlig 3. Șurub

Cârligul este util pentru suspendarea temporară a mașinii. Acesta poate fi instalat pe oricare latură a mașinii. Pentru a instala cârligul, introduceți-l într-o canelură din carcasa mașinii de pe oricare latură și fixați-l cu un șurub. Pentru demontare, slăbiți șurubul și apoi scoateți-l.

**NOTĂ:** Atunci când agățați mașina de centură cu ajutorul cârligului, scoateți capul de acționare/capul de burghiu și mânerul lateral.

### Instalarea suportului capului de acționare

**Accesorii opționale**

► Fig.10: 1. Suport cap de acționare 2. Cap de acționare

Introduceți suportul capului de acționare în proeminența de la baza mașinii, în partea dreaptă sau stângă, și fixați-l cu un șurub.

Atunci când nu folosiți capul de acționare, păstrați-l în suport. Aici pot fi păstrate capete de acționare cu o lungime de 45 mm.

### Instalarea mânerului lateral (mânerul auxiliar)

**Accesorii opționale**

► Fig.11: 1. Proeminență 2. Braț 3. Canal 4. Mâner

Introduceți mânerul lateral astfel încât proeminențele de pe braț să se potrivească în canalele de pe mașină. Apoi strângeți mânerul rotind spre dreapta.

În funcție de operațiuni, puteți să instalați mânerul lateral fie pe partea dreaptă, fie pe partea stângă a mașinii.

## OPERAREA

**⚠ATENȚIE:** Introduceți întotdeauna complet cartușul acumulatorului până când se blochează în locaș. Dacă puteți vedea indicatorul roșu din partea superioară a butonului, acesta nu este blocat complet. Introduceți-l complet, până când indicatorul roșu nu mai este vizibil. În caz contrar, acesta poate cădea accidental din mașină provocând rănirea dumneavoastră sau a persoanelor din jur.

**⚠ATENȚIE:** Când viteza scade extrem de mult, reduceți sarcina sau opriți mașina, pentru a preveni defectarea acesteia.

Țineți mașina ferm cu o mână de mâner și cu cealaltă mână de partea inferioară a cartușului acumulatorului, pentru a contracara mișcarea de torsiune.

### Înșurubarea

**⚠ATENȚIE:** Ajustați inelul de reglare la valoarea corectă a cuplului de strângere pentru lucrarea dvs.


**⚠ATENȚIE:** Asigurați-vă că ați introdus drept capul de acționare în capul șurubului, în caz contrar șurubul și/sau capul de acționare se pot/ poate deteriora.

Poziționați vârful capului de acționare în capul șurubului și apăsați pe mașină. Porniți mașina încet și apoi măriți treptat viteza. Eliberați butonul declanșator imediat ce ambreiajul intervine.

► Fig.12

**NOTĂ:** La înfiletarea unui șurub pentru lemn, efectuați în prealabil o gaură pilot cu un diametru de 2/3 din diametrul șurubului. În acest fel, găurirea va fi mai ușoară și se previne despicarea piesei de lucru.

### Găurirea

Mai întâi, rotiți inelul de reglare astfel încât săgeata să indice spre marcajul . Apoi, procedați după cum urmează.

### Găurirea lemnului

Când găuriți lemn, obțineți cele mai bune rezultate cu burghiile de lemn dotate cu șurub de ghidaj. Șurubul de ghidare ușurează găurirea trăgând capul de burghiu în piesa de prelucrat.

### Găurirea metalului

Pentru a preveni alunecarea capului de burghiu atunci când începeți găurirea, realizați o adâncitură cu un dorn și un ciocan în punctul în care se va găuri. Așezați vârful capului de burghiu în adâncitură și începeți găurirea. Folosiți un lubrifiant de tăiere atunci când găuriți metale. Excepție fac fierul și alama, care trebuie găurite pe uscat.

**⚠️ ATENȚIE:** Aplicarea unei forțe excesive asupra mașinii nu va grăbi operațiunea de găurire. De fapt, presiunea excesivă nu va face decât să deterioreze burghiul, reducând performanțele mașinii și durata de viață a acesteia.

**⚠️ ATENȚIE:** Țineți mașina ferm și procedați cu atenție atunci când capul de burghiu trece prin piesa de prelucrat. Asupra mașinii/capului de burghiu este exercitată o forță enormă în momentul în care gaura este străpunsă.

**⚠️ ATENȚIE:** Un cap de burghiu blocat se poate debloca prin simpla setare a inversorului pentru rotația în sens invers, pentru retragere. Totuși, mașina se poate retrage brusc dacă nu o țineți ferm.

**⚠️ ATENȚIE:** Piesele trebuie fixate întotdeauna cu o menghină sau cu un alt dispozitiv similar de fixare.

**⚠️ ATENȚIE:** Dacă mașina este folosită continuu până la descărcarea cartușului acumulatorului, lăsați mașina în repaus timp de 15 minute înainte de a continua cu un acumulator nou.

## ÎNTREȚINERE

**⚠️ ATENȚIE:** Asigurați-vă întotdeauna că mașina este oprită și cartușul acumulatorului scos înainte de a executa lucrările de inspecție și întreținere.

**NOTĂ:** Nu utilizați niciodată gazolină, benzină, diluant, alcool sau alte substanțe asemănătoare. În caz contrar, pot rezulta decolorări, deformări sau fisuri.

Pentru a menține SIGURANȚA și FIABILITATEA produsului, reparațiile și orice alte lucrări de întreținere sau reglare trebuie executate de centre de service Makita autorizate sau proprii, folosind întotdeauna piese de schimb Makita.

## ACCESORII OPȚIONALE

**⚠️ ATENȚIE:** Folosiți accesoriile sau piesele auxiliare recomandate pentru mașina dumneavoastră Makita în acest manual. Utilizarea oricăror alte accesorii sau piese auxiliare poate prezenta risc de vătămare corporală. Utilizați accesoriile și piesele auxiliare numai în scopul destinat.

Dacă aveți nevoie de asistență sau de mai multe detalii referitoare la aceste accesorii, adresați-vă centrului local de service Makita.

- Capete de burghiu
- Capete de acționare
- Suport cap de acționare
- Cârlig
- Mâner lateral
- Acumulator și încărcător original Makita

**NOTĂ:** Unele articole din listă pot fi incluse ca accesorii standard în ambalajul de scule. Acestea pot diferi în funcție de țară.

## ТЕХНІЧНІ ХАРАКТЕРИСТИКИ

<b>Модель:</b>		<b>DF002G</b>
Максимальний діаметр свердління	Сталь	13 мм
	Деревина	Гвинтове свердло: 38 мм Свердло з автоматичною подачею: 38 мм Кільцева пила: 51 мм
Підтримувані розміри кріпильних виробів	Шуруп	10 мм × 90 мм
	Гвинт для металу	M6
Робоча частота без навантаження (об/хв)	Висока (2)	0–2 200 хв <sup>-1</sup>
	Низька (1)	0–600 хв <sup>-1</sup>
Загальна довжина		164 мм
Номінальна напруга		36 В – макс. 40 В пост. струму.
Маса нетто		1,9–2,8 кг

- Оскільки наша програма наукових досліджень і розробок триває безперервно, наведені тут технічні характеристики можуть бути змінені без попередження.
- У різних країнах технічні характеристики можуть бути різними.
- Вага може відрізнятися залежно від допоміжного обладнання, наприклад касети з акумулятором. Найлегші та найважчі комплекти, відповідно до стандарту ЕРТА (Європейська асоціація виробників електроінструменту) від січня 01/2014 року, представлено в таблиці.

### Застосовна касета з акумулятором і зарядний пристрій

Касета з акумулятором	BL4020* / BL4025* / BL4040* / BL4050F *: рекомендований акумулятор
Зарядний пристрій	DC40RA / DC40RB / DC40RC

- Деякі касети з акумулятором і зарядні пристрої, які вказано вище, можуть бути недоступними залежно від вашого регіону або місця перебування.

**⚠ПОПЕРЕДЖЕННЯ:** Використовуйте лише касети з акумулятором і зарядні пристрої, зазначені вище. Використання будь-яких інших касет з акумулятором і зарядних пристроїв може призвести до травмування й/або пожежі.

### Призначення

Інструмент призначено для свердління та вкручування гвинтів у деревину, метал та пластмасу.

### Шум

Рівень шуму за шкалою А в типовому виконанні, визначений відповідно до стандарту EN62841-2-1: Рівень звукового тиску ( $L_{pA}$ ): 78 дБ (А)  
Похибка (К): 3 дБ (А)

Рівень шуму під час роботи може перевищувати 80 дБ (А).

**ПРИМІТКА:** Заявлене значення шуму було виміряно відповідно до стандартних методів тестування й може використовуватися для порівняння одного інструмента з іншим.

**ПРИМІТКА:** Заявлене значення шуму може також використовуватися для попереднього оцінювання впливу.

**⚠ПОПЕРЕДЖЕННЯ:** Користуйтеся засобами захисту органів слуху.

**⚠ПОПЕРЕДЖЕННЯ:** Залежно від умов використання рівень шуму під час фактичної роботи електроінструмента може відрізнятися від заявленого значення вібрації; особливо сильно на це впливає тип деталі, що оброблюється.

**⚠ПОПЕРЕДЖЕННЯ:** Забезпечте належні запобіжні заходи для захисту оператора, що відповідатимуть умовам використання інструмента (слід брати до уваги всі складові робочого циклу, як-от час, коли інструмент вимкнено та коли він починає працювати на холостому ході під час запуску).

### Вібрація

Загальна величина вібрації (векторна сума трьох напрямків) визначена згідно з EN62841-2-1:  
Режим роботи: свердління металу  
Вібрація ( $a_{hD}$ ): 2,5 м/с<sup>2</sup> або менше  
Похибка (К): 1,5 м/с<sup>2</sup>

**ПРИМІТКА:** Заявлене загальне значення вібрації було виміряно відповідно до стандартних методів тестування й може використовуватися для порівняння одного інструмента з іншим.

**ПРИМІТКА:** Заявлене загальне значення вібрації може також використовуватися для попереднього оцінювання впливу.

**▲ ПОПЕРЕДЖЕННЯ:** Залежно від умов використання вібрація під час фактичної роботи електроінструмента може відрізнятися від заявленого значення вібрації; особливо сильно на це впливає тип деталі, що оброблюється.

**▲ ПОПЕРЕДЖЕННЯ:** Забезпечте належні запобіжні заходи для захисту оператора, що відповідатимуть умовам використання інструмента (слід брати до уваги всі складові робочого циклу, як-от час, коли інструмент вимкнено та коли він починає працювати на холостому ході під час запуску).

## Декларація про відповідність стандартам ЄС

*Тільки для країн Європи*

Декларацію про відповідність стандартам ЄС наведено в Додатку А до цієї інструкції з експлуатації.

## ПОПЕРЕДЖЕННЯ ПРО ДОТРИМАННЯ ТЕХНІКИ БЕЗПЕКИ

### Загальні застереження щодо техніки безпеки при роботі з електроінструментами

**▲ ПОПЕРЕДЖЕННЯ:** Уважно ознайомтеся з усіма попередженнями про дотримання правил техніки безпеки, інструкціями, ілюстраціями та технічними характеристиками, що стосуються цього електроінструмента. Невиконання будь-яких інструкцій, перелічених нижче, може призвести до ураження електричним струмом, пожежі та/або тяжких травм.

### Збережіть усі інструкції з техніки безпеки та експлуатації на майбутнє.

Термін «електроінструмент», зазначений у інструкції з техніки безпеки, стосується електроінструмента, який функціонує від електромережі (електроінструмент з кабелем живлення), або електроінструмента з живленням від батареї (безпроводний електроінструмент).

## Попередження про необхідну обережність під час роботи з дрилем із бездротовим приводом

Інструкції з техніки безпеки під час виконання робіт

1. Тримайте електроінструмент за спеціальні ізольовані поверхні під час роботи в місцях, де різальне приладдя або кріпильні вироби можуть зачепити приховану електропроводку. Торкання різальними приладами або кріпильним виробом дроту під напругою може призвести до передавання напруги до оголених металевих частин інструмента й ураження оператора електричним струмом.
2. **Обов'язково забезпечте надійну опору.** При виконанні робіт з інструментом на висоті переконайтеся, що внизу нікого немає.
3. Тримайте інструмент міцно.
4. Не торкайтеся руками деталей, що обертаються.
5. Не залишайте інструмент, який працює. Працюйте з інструментом тільки тоді, коли тримаєте його в руках.
6. Не торкайтеся свердла, деталі або ошукрок відразу після роботи; вони можуть бути дуже гарячими й спричинити опіки.
7. Деякі матеріали мають у своєму складі токсичні хімічні речовини. Будьте обережні, щоб не допустити вдихання пилу та його контакту зі шкірою. Дотримуйтеся правил техніки безпеки виробника матеріалу.
8. Якщо свердло не можна відпустити навіть за відкритих лещат, витягніть його за допомогою плоскогубців. Витягування свердла руками в такому випадку може призвести до поранення його гострим краєм.
9. **Переконайтеся у відсутності електричних кабелів, водопровідних і газових труб тощо, які можуть становити небезпеку в разі пошкодження їх інструментом.**

Інструкції з техніки безпеки під час використання подовжених свердел

1. Заборонено працювати на робочій частоті, яка перевищує максимальне номінальне значення для свердла. На вищих робочих частотах свердло може зігнути, якщо обертається вільно без контакту із заготівкою, що може призвести до травми.
2. Завжди починайте свердління на низькій робочій частоті, притиснувши кінчик свердла до заготівки. На вищих робочих частотах свердло може зігнути, якщо обертається вільно без контакту із заготівкою, що може призвести до травми.
3. Тисніть на інструмент тільки за віссу свердла й не притискайте його занадто сильно. Свердла можуть зігнути, що призведе до поломки або втрати контролю – це може стати причиною травми.

### ЗБЕРІГАЙТЕ ЦІ ВКАЗІВКИ.

**▲ ПОПЕРЕДЖЕННЯ:** НІКОЛИ НЕ втрачайте пильності та не розслабляйтеся під час користування виробом (що можливо при частому користуванні); обов'язково строго дотримуйтеся відповідних правил безпеки. **НЕНАЛЕЖНЕ ВИКОРИСТАННЯ** або недотримання правил безпеки, викладених у цій інструкції з експлуатації, може призвести до серйозних травм.

## Важливі інструкції з безпеки для касети з акумулятором

1. Перед тим як користуватися касетою з акумулятором, слід прочитати всі інструкції та застережні знаки щодо (1) зарядного пристрою акумулятора, (2) акумулятора та (3) виробів, що працюють від акумулятора.
2. Не розбирайте касету з акумулятором і не змінюйте її конструкцію. Це може призвести до пожежі, перегріву або вибуху.
3. Якщо період роботи дуже покоротшав, слід негайно припинити користування. Це може призвести до виникнення ризику перегріву, опіку та навіть вибуху.
4. У разі потрапляння електроду в очі слід промити їх чистою водою та негайно звернутися до лікаря. Це може призвести до втрати зору.
5. Не закоротіть касету з акумулятором.
  - (1) Не слід торкатися клем будь-яким струмопровідним матеріалом.
  - (2) Не слід зберігати касету з акумулятором у ємності з іншими металевими предметами, такими як цвяхи, монети тощо.
  - (3) Не залишайте касету з акумулятором під дощем, запобігайте контакту з водою.

Коротке замикання може призвести до появи значного струму, перегріву, можливих опіків та навіть виходу з ладу.
6. Не слід зберігати й використовувати інструмент і касету з акумулятором у місцях, де температура може сягнути чи перевищити 50 °C (122 °F).
7. Не слід спалювати касету з акумулятором, навіть якщо вона була неодноразово пошкоджена або повністю спрацьована. Касета з акумулятором може вибухнути у вогні.
8. Заборонено забивати цвяхи в касету з акумулятором, різати, ламати, кидати, впускати касету з акумулятором або вдаряти її твердим предметом. Це може призвести до пожежі, перегріву або вибуху.
9. Не слід використовувати пошкоджений акумулятор.
10. Літій-іонні акумулятори, що містяться в інструменті, мають відповідати вимогам законів про небезпечні товари.

Під час транспортування за допомогою комерційних перевезень, наприклад із залученням третьої сторони та експедиторів, необхідно дотримуватися особливих вимог, вказаних на пакуванні й у маркуванні. Під час підготування позиції до відправлення необхідно проконсультуватися зі спеціалістом з небезпечних матеріалів. Крім того, слід виконувати більш докладні національні настанови, якщо такі є. Заклейте відкриті контакти стрічкою або заховайте їх і запакуйте акумулятор таким чином, щоб він не міг рухатися в пакуванні.
11. Для утилізації касети з акумулятором витягніть її з інструмента та утилізуйте безпечним способом. Дотримуйтеся норм місцевого законодавства щодо утилізації акумуляторів.
12. Використовуйте акумулятори лише з виробами, указаними компанією Makita. Установлення акумуляторів у невідповідні виробы може призвести до пожежі, надмірного нагрівання, вибуху чи витoku електроду.
13. Якщо інструментом не користуватимуться протягом тривалого періоду часу, вийміть акумулятор з інструмента.
14. Під час і після використання касета з акумулятором може нагріватися, що може стати причиною опіків або низькотемпературних опіків. Будьте обережні під час поводження з гарячою касетою з акумулятором.
15. Не торкайтеся контактів інструмента відразу після використання, оскільки він може бути досить гарячим, щоб викликати опіки.
16. Не допускайте, щоб уламки, пил або земля прилипали до контактів, отворів і пазів на касеті з акумулятором. Це може привести до зниження експлуатаційних параметрів, поломки інструмента або касети з акумулятором.
17. Якщо інструмент не розраховано на використання поблизу високовольтних ліній електропередач, не використовуйте касету з акумулятором поблизу високовольтних ліній електропередач. Це може призвести до несправності, поломки інструмента або касети з акумулятором.
18. Тримайте акумулятор у недоступному для дітей місці.

## ЗБЕРІГАЙТЕ ЦІ ВКАЗІВКИ.

**▲ОБЕРЕЖНО:** Використовуйте тільки акумулятори Makita. Використання акумуляторів, інших ніж оригінальні акумулятори Makita, або акумуляторів, конструкцію яких було змінено, може призвести до вибуху акумулятора і спричинити пожежу, травму або пошкодження. У зв'язку з цим також буде анульовано гарантію Makita на інструмент Makita і на зарядний пристрій.

## Поради з забезпечення максимального строку експлуатації акумулятора

1. Касету з акумулятором слід заряджати до того, як він розрядиться повністю. Завжди слід зупиняти роботу інструмента та зарядити акумулятор, якщо ви помітили зменшення потужності інструмента.
2. Ніколи не слід заряджати повторно повністю заряджену касету з акумулятором. Перезарядження скорочує строк експлуатації акумулятора.
3. Заряджайте касету з акумулятором при кімнатній температурі 10°C - 40°C (50°F - 104°F). Перед тим як заряджати касету з акумулятором, слід зачекати, доки вона охолоне.
4. Коли касета з акумулятором не використовується, виймайте її з інструмента або зарядного пристрою.
5. Якщо касета з акумулятором не використовувалася тривалий час (понад шість місяців), її слід зарядити.

## ОПИС РОБОТИ

**⚠ ОБЕРЕЖНО:** Обов'язково переконайтеся, що прилад вимкнено, а касету з акумулятором знято, перед регулюванням або перевіркою функціонування інструмента.

## Встановлення та зняття касети з акумулятором

**⚠ ОБЕРЕЖНО:** Завжди вимикайте інструмент перед встановленням або зняттям касети з акумулятором.

**⚠ ОБЕРЕЖНО:** Під час встановлення або зняття касети з акумулятором слід міцно тримати інструмент та касету з акумулятором. Якщо ви утримуватимете інструмент та касету з акумулятором недостатньо міцно, вони можуть вислизнути з рук, що може призвести до пошкодження інструмента та касети з акумулятором або може спричинити травми.

► **Рис.1:** 1. Червоний індикатор 2. Кнопка 3. Касета з акумулятором

Щоб зняти касету з акумулятором, слід витягнути її з інструмента, натиснувши на кнопку в передній частині касети.

Щоб установити касету з акумулятором, слід сумістити виступ на касеті з акумулятором із пазом у корпусі та вставити касету на місце. Її необхідно вставити повністю, аж доки не почуєте клацання. Якщо на верхній частині кнопки помітний червоний індикатор, це означає, що касета з акумулятором установлена не до кінця.

**⚠ ОБЕРЕЖНО:** Завжди вставляйте касету з акумулятором повністю, щоб червоного індикатора не було видно. Якщо цього не зробити, касета може випадково випасти з інструмента та завдати травми вам або людям, що знаходяться поряд.

**⚠ ОБЕРЕЖНО:** Не встановлюйте касету з акумулятором із зусиллям. Якщо касета не вставляється легко, то це означає, що ви її неправильно вставляєте.

## Відображення залишкового заряду акумулятора

Натисніть кнопку перевірки на касеті з акумулятором для відображення залишкового ресурсу акумулятора. Індикаторні лампи загоряться на кілька секунд.

► **Рис.2:** 1. Індикаторні лампи 2. Кнопка перевірки

Індикаторні лампи			Залишковий ресурс
Горить	Вимк.	Блимає	
■	□	▧	від 75 до 100%
■	■	■	
■	■	□	від 50 до 75%
■	□	□	від 25 до 50%
□	□	□	від 0 до 25%
▧	□	□	Зарядити акумулятор.

Індикаторні лампи			Залишковий ресурс
Горить	Вимк.	Блимає	
■	□	▧	Можливо, акумулятор вийшов з ладу.
■	■	□	
□	□	■	

**ПРИМІТКА:** Залежно від умов використання та температури оточуючого середовища показання можуть незначним чином відрізнятися від дійсного ресурсу.

**ПРИМІТКА:** Перша (дальня ліва) індикаторна лампа блимає під час роботи захисної системи акумулятора.

## Система захисту інструмента/акумулятора

Інструмент оснащено системою захисту інструмента/акумулятора. Ця система автоматично вимикає живлення з метою подовження терміну служби інструмента й акумулятора. Інструмент автоматично зупиняється під час роботи, якщо інструмент або акумулятор перебувають у зазначених далі умовах.

### Захист від перевантаження

Цей захист спрацює в разі занадто високого споживання струму інструментом або акумулятором у поточному режимі експлуатації. У такому випадку вимкніть інструмент і припиніть роботу, під час виконання якої сталося перевантаження інструмента. Щоб перезапустити інструмент, увімкніть його знову.

### Захист від перегрівання

Ця система захисту спрацює в разі перегріву інструмента або акумулятора; при цьому починає блимати лампа. У такому випадку дайте інструменту й акумулятору охолонути, перш ніж знову вмикайте інструмент.

### Захист від надмірного розрядження

Цей захист спрацює, коли рівень заряду акумулятора стає низьким. У цій ситуації вийміть акумулятор з інструмента й зарядіть його.

## Дія вмикача

**⚠ ОБЕРЕЖНО:** Перед тим як вставляти касету з акумулятором в інструмент, обов'язково перевірте, чи курок вмикача спрацює належним чином та повертається у положення «ВИМК.», коли його відпускають.

Щоб увімкнути інструмент, просто натисніть на курок вмикача. Швидкість інструмента зростає, якщо збільшити тиск на курок вмикача. Щоб зупинити роботу, відпустіть курок вмикача.

► **Рис.3:** 1. Курок вмикача

**ПРИМІТКА:** Інструмент автоматично зупиняється у разі натискання на курок вмикача упродовж приблизно 6 хвилин.

## Електричне гальмо

Цей інструмент обладнано електричним гальмом. Якщо після відпускання курка вмикача не відбувається швидкої зупинки інструмента, зверніться до сервісного центру Makita для обслуговування інструмента.

## Увімкнення переднього підсвічування

**⚠ ОБЕРЕЖНО:** Не дивіться на світло або безпосередньо на джерело світла.

Натисніть на курок вмикача, щоб увімкнути підсвічування. Лампа світиться, поки курок вмикача натиснуто. Підсвічування згасне приблизно за 10 секунд після відпускання курка вмикача.

► **Рис.4:** 1. Лампа

**ПРИМІТКА:** Якщо інструмент перегрівся, він автоматично вимикається, і лампа підсвічування починає блимати. У такому випадку відпустіть курок вмикача. Лампа підсвічування гасне через одну хвилину.

**ПРИМІТКА:** Для очищення скла лампи підсвічування протріть її сухою тканиною. Будьте обережні, щоб не подряпати скло лампи підсвічування, тому що це погіршить освітлювання.

## Робота перемикача реверсу

**⚠ ОБЕРЕЖНО:** Перед початком роботи обов'язково перевіряйте напрям обертання.

**⚠ ОБЕРЕЖНО:** Перемикач реверсу можна використовувати тільки після повної зупинки інструмента. Зміна напрямку обертання до повної зупинки інструмента може призвести до його пошкодження.

**⚠ ОБЕРЕЖНО:** Коли інструмент не використовується, важіль перемикача реверсу повинен знаходитися в нейтральному положенні.

Цей інструмент обладнано перемикачем реверсу для зміни напрямку обертання. Для обертання за годинниковою стрілкою пересуньте важіль перемикача реверсу в положення А, проти годинникової стрілки — у положення В. Коли важіль перемикача реверсу перебуває в нейтральному положенні, курок вмикача не можна натиснути.

► **Рис.5:** 1. Важіль перемикача реверсу

## Зміна швидкості

**⚠ ОБЕРЕЖНО:** Обов'язково встановлюйте важіль зміни швидкості у належне положення. Використання інструмента, коли важіль зміни швидкості розташовано між положеннями 1 та 2, може призвести до його пошкодження.

**⚠ ОБЕРЕЖНО:** Не можна пересувати важіль зміни швидкості, коли інструмент працює. Це може призвести до пошкодження інструмента.

Відображуване число	Швидкість	Крутний момент	Застосування
1	Низька	Висока	Робота зі значним навантаженням
2	Високий	Низький	Робота з незначним навантаженням

Щоб змінити швидкість, спочатку вимкніть інструмент. Переведіть важіль зміни швидкості таким чином, щоб відобразалося «2» для високої швидкості або «1» для низької швидкості з високим крутним моментом. Перед тим як починати роботу, переконайтеся, що важіль зміни швидкості встановлено в правильне положення.

Якщо швидкість інструмента під час роботи сильно знижується, коли відобразується «2», пересуньте важіль таким чином, щоб відобразалося «1», і знову розпочніть роботу.

► **Рис.6:** 1. Важіль зміни швидкості

## Регулювання моменту затягування

► **Рис.7:** 1. Кільце регулювання 2. Градування 3. Стрілка

Момент затягування можна відрегулювати за 22 рівнем повертанням кільця регулювання. Сумістіть поділки зі стрілкою на корпусі інструмента. Мінімальний момент затягування відповідає позначці 1, а максимальний — позначці 22.

Зчеплення прослизатиме при різних моментах затягування у разі встановлення позначки від 1 до 21.

Зчеплення не працює на позначці 22.

Перед тим як власне починати роботу, слід скрутити пробний гвинт у матеріал або дублікат деталі, щоб визначити рівень моменту затягування, необхідний для даної роботи. У нижченаведеній таблиці показано приблизне співвідношення між розміром гвинта і поділкою.

Градування		1	2	3	4	5	6	7	8	9	10	11	12	13	14	15	16	17	18	19	20	21
Гвинт для металу		M4					M5										M6					
Шуруп	М'яка деревина (наприклад, сосна)	—					φ3,5 x 22					φ4,1 x 38					—					
	Жорстка деревина (наприклад, шорея)	—					φ3,5 x 22					φ4,1 x 38					—					



## ЗБОРКА

**⚠ОБЕРЕЖНО:** Обов'язково переконайтеся, що прилад вимкнено, а касету з акумулятором знято, перш ніж проводити будь-які роботи з інструментом.

## Встановлення та зняття наконечника для викручування або свердла

► **Рис.8:** 1. Муфта 2. Закрити 3. Відкрити

Поверніть муфту проти годинникової стрілки, щоб відкрити кулачки патрона. Вставте наконечник для викручування або свердло в патрон до упору. Поверніть муфту за годинниковою стрілкою, щоб затягнути кулачки патрона. Щоб зняти наконечник для викручування або свердло, поверніть муфту проти годинникової стрілки.

## Встановлення гака

**⚠ОБЕРЕЖНО:** Під час установлення гачка надійно зафіксуйте його гвинтом. В іншому випадку гачок може від'єднатися від інструмента, що може призвести до травми.

**⚠ОБЕРЕЖНО:** Використовуйте деталі для підвішування й монтажу лише за призначенням. Використання цих деталей не за призначенням може призвести до нещасного випадку або травми.

► **Рис.9:** 1. Паз 2. Гак 3. Гвинт

Гак зручно використовувати для тимчасового підвішування інструмента. Його можна встановлювати на будь-якому боці інструмента. Щоб встановити гак, вставте його в паз на корпусі інструмента з будь-якого боку та закріпіть за допомогою гвинта. Щоб зняти гак, відпустіть гвинт і витягніть його.

**УВАГА:** Перед тим як підвісити інструмент на пояс за допомогою гачка, витягніть наконечник для викручування/свердло й бокову рукоятку.

## Встановлення касети для наконечників

### Додаткове приладдя

► **Рис.10:** 1. Касета для наконечників  
2. Наконечник для викручування

Вставте касету для наконечників у виступ у нижній частині інструмента ліворуч або праворуч та закріпіть її за допомогою гвинта. Коли наконечник для викручування не використовується, зберігайте його в касеті для наконечників. У ній можна зберігати наконечники для викручування довжиною 45 мм.

## Установка бокової рукоятки (додаткова рукоятка)

### Додаткове приладдя

► **Рис.11:** 1. Виступ 2. Напрямна насаддка  
3. Канавка 4. Ручка

Вставте бокову рукоятку таким чином, щоб виступи на напрямній насадці ввійшли у виїмки на інструменті. Потім затягніть рукоятку, повернувши її за годинниковою стрілкою.

Залежно від виконуваних робіт бокову рукоятку можна встановлювати з лівого або з правого боку.

## РОБОТА

**⚠ОБЕРЕЖНО:** Обов'язково вставляйте касету з акумулятором до кінця з фіксацією на місці. Якщо на верхній частині кнопки помітний червоний індикатор, це означає, що касета з акумулятором зафіксована не до кінця. Вставте касету повністю, щоб червоний індикатор зник. Якщо цього не зробити, касета може випадково випасти з інструмента та завдати травми вам або людям, що знаходяться поряд.

**⚠ОБЕРЕЖНО:** Коли швидкість сильно знижується, слід зменшити навантаження або зупинити інструмент, щоб уникнути його пошкодження.

Інструмент потрібно міцно тримати однією рукою за ручку, а другою — за низ касети з акумулятором для того, щоб керувати видовбувальним рухом.

## Загвинчування

**⚠ОБЕРЕЖНО:** Відрегулюйте кільце регулювання для встановлення крутного моменту, необхідного для роботи.


**⚠ОБЕРЕЖНО:** Перевірте, чи наконечник для викручування рівно вставлено в голівку гвинта, інакше гвинт та/або наконечник можуть пошкодитись.

Вставте кінчик наконечника для викручування в голівку гвинта та натисніть на інструмент. Повільно запустіть інструмент, а потім поступово збільшуйте швидкість. Відпустіть курок вмикача, щойно буде задіяно зчеплення.

► **Рис.12**

**ПРИМІТКА:** У разі вкручування шурупа заздалегідь просвердліть напрямний отвір, діаметр якого становить 2/3 діаметра гвинта. Це полегшить вкручування гвинта та дозволить уникнути розколювання оброблюваної деталі.

## Свердління

Спочатку поверніть кільце регулювання таким чином, щоб стрілка вказувала на мітку . Потім виконайте такі дії.

### Свердління деревини

Під час свердління деревини найліпші результати можна отримати, використовуючи свердла для деревини, обладнані напрямним гвинтом. Напрямний гвинт полегшує свердління тим, що він втягує свердло в оброблювану деталь.

### Свердління металу

Щоб запобігти зісковзуванню свердла на початку свердління отвору, місце свердління необхідно накернити за допомогою керна та молотка. Встановіть кінчик свердла в накернене місце та почніть свердління.

Під час свердління металу слід використовувати мастильно-охолоджувальну рідину. Винятком є чавун та латунь, які свердлять насухо.

**⚠ОБЕРЕЖНО:** Прикладання до інструмента надмірного тиску не пришвидшує свердління. Насправді надмірний тиск може лише пошкодити свердло, погіршити характеристики інструмента та скоротити термін його експлуатації.

**⚠ОБЕРЕЖНО:** Слід тримати інструмент міцно та бути обережним, коли свердло починає входити в оброблювану деталь. Під час пробивання отвору до інструмента/свердла прикладається величезне зусилля.

**⚠ОБЕРЕЖНО:** Свердло, яке застрягло, можна легко видалити, встановивши важіль перемикача реверсу на зворотний напрямок обертання, щоб отримати задній хід. Але якщо інструмент не тримати міцно, він може різко відскочити.

**⚠ОБЕРЕЖНО:** Оброблювану деталь обов'язково необхідно затискати в лещатах або подібному пристрої фіксації.

**⚠ОБЕРЕЖНО:** У разі неперервної роботи інструмента до розрядження касети з акумулятором необхідно зробити перерву на 15 хвилин, перед тим як продовжувати роботу з новим акумулятором.

## ТЕХНІЧНЕ ОБСЛУГОВУВАННЯ

**⚠ОБЕРЕЖНО:** Перед здійсненням перевірки або обслуговування завжди перевіряйте, щоб інструмент був вимкнений, а касета з акумулятором була знята.

**УВАГА:** Ніколи не використовуйте газолін, бензин, розріджувач, спирт та подібні речовини. Їх використання може призвести до зміни кольору, деформації або появи тріщин.

Для забезпечення БЕЗПЕКИ та НАДІЙНОСТІ продукції, її ремонт, а також роботи з обслуговування або регулювання повинні виконуватись уповноваженими або заводськими сервісними центрами Makita із використанням запчастин виробництва компанії Makita.

## ДОДАТКОВЕ ПРИЛАДДЯ

**⚠ОБЕРЕЖНО:** Це додаткове та допоміжне обладнання рекомендовано використовувати з інструментом Makita, зазначеним у цій інструкції з експлуатації. Використання будь-якого іншого додаткового та допоміжного обладнання може становити небезпеку травмування. Використовуйте додаткове та допоміжне обладнання лише за призначенням.

У разі необхідності отримати допомогу в більш детальному ознайомленні з оснащенням звертайтеся до місцевого сервісного центру Makita.

- Свердла
- Наконечники для викручування
- Касета для наконечників
- Гак
- Бокова рукоятка
- Оригінальний акумулятор та зарядний пристрій Makita

**ПРИМІТКА:** Деякі елементи списку можуть входити до комплекту інструмента як стандартне приладдя. Вони можуть відрізнитися залежно від країни.

## ТЕХНИЧЕСКИЕ ХАРАКТЕРИСТИКИ

<b>Модель:</b>		<b>DF002G</b>
Максимальный диаметр сверления	Сталь	13 мм
	Дерево	Винтовое сверло: 38 мм Сверло с автоматической подачей: 38 мм Кольцевая пила: 51 мм
Размеры поддерживаемых крепежей	Шуруп	10 мм × 90 мм
	Мелкий крепежный винт	M6
Частота вращения без нагрузки (об/мин)	Высокая (2)	0–2 200 мин <sup>-1</sup>
	Низкая (1)	0–600 мин <sup>-1</sup>
Общая длина		164 мм
Номинальное напряжение		36 В – 40 В пост. тока макс.
Масса нетто		1,9–2,8 кг

- Благодаря нашей постоянно действующей программе исследований и разработок указанные здесь технические характеристики могут быть изменены без предварительного уведомления.
- Технические характеристики могут различаться в зависимости от страны.
- Масса может отличаться в зависимости от дополнительного оборудования. Обратите внимание, что блок аккумулятора также считается дополнительным оборудованием. В таблице представлены комбинации с наибольшим и наименьшим весом в соответствии с процедурой ЕРТА 01/2014.

### Подходящий блок аккумулятора и зарядное устройство

Блок аккумулятора	BL4020* / BL4025* / BL4040* / BL4050F *: рекомендуемый аккумулятор
Зарядное устройство	DC40RA / DC40RB / DC40RC

- В зависимости от региона проживания некоторые блоки аккумуляторов и зарядные устройства, перечисленные выше, могут быть недоступны.

**⚠ОСТОРОЖНО:** Используйте только перечисленные выше блоки аккумуляторов и зарядные устройства. Использование других блоков аккумуляторов и зарядных устройств может привести к травме и/или пожару.

### Назначение

Инструмент предназначен для сверления и закручивания шурупов в дерево, металл и пластик.

### Шум

Типичный уровень взвешенного звукового давления (A), измеренный в соответствии с EN62841-2-1:

Уровень звукового давления ( $L_{pA}$ ): 78 дБ (A)

Погрешность (K): 3 дБ (A)

Уровень шума при выполнении работ может превышать 80 дБ (A).

**ПРИМЕЧАНИЕ:** Заявленное значение распространения шума измерено в соответствии со стандартной методикой испытаний и может быть использовано для сравнения инструментов.

**ПРИМЕЧАНИЕ:** Заявленное значение распространения шума можно также использовать для предварительных оценок воздействия.

**⚠ОСТОРОЖНО:** Используйте средства защиты слуха.

**⚠ОСТОРОЖНО:** Распространение шума во время фактического использования электроинструмента может отличаться от заявленного значения в зависимости от способа применения инструмента и в особенности от типа обрабатываемой детали.

**⚠ОСТОРОЖНО:** Обязательно определите меры безопасности для защиты оператора, основанные на оценке воздействия в реальных условиях использования (с учетом всех этапов рабочего цикла, таких как выключение инструмента, работа без нагрузки и включение).

## Вибрация

Суммарное значение вибрации (сумма векторов по трем осям), определенное в соответствии с EN62841-2-1:

Рабочий режим: сверление металла

Распространение вибрации ( $a_{h,D}$ ): 2,5 м/с<sup>2</sup> или менее

Погрешность (K): 1,5 м/с<sup>2</sup>

**ПРИМЕЧАНИЕ:** Заявленное общее значение распространения вибрации измерено в соответствии со стандартной методикой испытаний и может быть использовано для сравнения инструментов.

**ПРИМЕЧАНИЕ:** Заявленное общее значение распространения вибрации можно также использовать для предварительных оценок воздействия.

**⚠ОСТОРОЖНО:** Распространение вибрации во время фактического использования электроинструмента может отличаться от заявленного значения в зависимости от способа применения инструмента и в особенности от типа обрабатываемой детали.

**⚠ОСТОРОЖНО:** Обязательно определите меры безопасности для защиты оператора, основанные на оценке воздействия в реальных условиях использования (с учетом всех этапов рабочего цикла, таких как выключение инструмента, работа без нагрузки и включение).

## Декларация о соответствии ЕС

*Только для европейских стран*

Декларация о соответствии ЕС включена в руководство по эксплуатации (Приложение А).

## МЕРЫ БЕЗОПАСНОСТИ

### Общие рекомендации по технике безопасности для электроинструментов

**⚠ОСТОРОЖНО:** Ознакомьтесь со всеми представленными инструкциями по технике безопасности, указаниями, иллюстрациями и техническими характеристиками, прилагаемыми к данному электроинструменту. Несоблюдение каких-либо инструкций, указанных ниже, может привести к поражению электрическим током, пожару и/или серьезной травме.

### Сохраните брошюру с инструкциями и рекомендациями для дальнейшего использования.

Термин "электроинструмент" в предупреждениях относится ко всему инструменту, работающему от сети (с проводом) или на аккумуляторах (без провода).

## Меры безопасности при использовании аккумуляторной дрели-шуруповерта

Инструкции по технике безопасности при выполнении работ

1. Если при выполнении работ существует риск контакта режущего инструмента или крепежной со скрытой электропроводкой, держите электроинструмент за специальные изолированные поверхности. Контакт режущего инструмента или крепежей с проводом под напряжением может привести к тому, что металлические детали инструмента также окажутся под напряжением, что может стать причиной поражения оператора током.
2. При выполнении работ всегда занимайте устойчивое положение. При использовании инструмента на высоте убедитесь в отсутствии людей внизу.
3. Крепко держите инструмент.
4. Руки должны находиться на расстоянии от вращающихся деталей.
5. Не оставляйте работающий инструмент без присмотра. Включайте инструмент только тогда, когда он находится в руках.
6. Не касайтесь головки сверла, обрабатываемой детали или опилок сразу же после работы: они могут быть очень горячими и обжечь кожу.
7. Некоторые материалы могут содержать токсичные химические вещества. Примите соответствующие меры предосторожности, чтобы избежать вдыхания или контакта с кожей таких веществ. Соблюдайте требования, указанные в паспорте безопасности материала.
8. Если головку сверла не удается ослабить даже с помощью открывания зажимов, воспользуйтесь плоскогубцами, чтобы вытянуть ее. Вытягивание головки сверла вручную может привести к травмированию ее острой кромкой.
9. Убедитесь в отсутствии поблизости электрических проводов, водопроводных и газовых труб и других предметов, которые могут стать причиной опасной ситуации в случае их повреждения при использовании инструмента.

Инструкции по технике безопасности при использовании удлиненных головок сверла

1. Запрещено работать на рабочей частоте, превышающей максимальные номинальные значения для головки сверла. На более высоких рабочих частотах сверло может изогнуться, если позволить ему вращаться свободно без контакта с заготовкой, что может привести к травме.
2. Всегда начинайте сверление на низкой частоте, прижав кончик сверла к заготовке. На более высоких рабочих частотах сверло может изогнуться, если позволить ему вращаться свободно без контакта с заготовкой, что может привести к травме.
3. Прикладывайте давление к инструменту только по оси сверла и не прижимайте сверло слишком сильно. Сверла могут согнуться, что приведет к поломке или потере контроля и может стать причиной травмы.

## СОХРАНИТЕ ДАННЫЕ ИНСТРУКЦИИ.

**⚠ОСТОРОЖНО:** НЕ ДОПУСКАЙТЕ, чтобы удобство или опыт эксплуатации данного устройства (полученный от многократного использования) доминировали над строгим соблюдением правил техники безопасности при обращении с этим устройством. **НЕПРАВИЛЬНОЕ ИСПОЛЬЗОВАНИЕ** инструмента или несоблюдение правил техники безопасности, указанных в данном руководстве, может привести к тяжелой травме.

## Важные правила техники безопасности для работы с аккумуляторным блоком

1. Перед использованием аккумуляторного блока прочитайте все инструкции и предупреждающие надписи на (1) зарядном устройстве, (2) аккумуляторном блоке и (3) инструменте, работающем от аккумуляторного блока.
2. Не разбирайте блок аккумулятора и не меняйте его конструкцию. Это может привести к пожару, перегреву или взрыву.
3. Если время работы аккумулятора значительно сократилось, немедленно прекратите работу. В противном случае, может возникнуть перегрев блока, что приведет к ожогам и даже к взрыву.
4. В случае попадания электролита в глаза промойте их обильным количеством чистой воды и немедленно обратитесь к врачу. Это может привести к потере зрения.
5. Не замыкайте контакты аккумуляторного блока между собой:
  - (1) Не прикасайтесь к контактам какими-либо токопроводящими предметами.
  - (2) Не храните аккумуляторный блок в контейнере вместе с другими металлическими предметами, такими как гвозди, монеты и т. п.
  - (3) Не допускайте попадания на аккумуляторный блок воды или дождя.Замыкание контактов аккумуляторного блока между собой может привести к возникновению большого тока, перегреву, возможным ожогам и даже поломке блока.
6. Не храните и не используйте инструмент и аккумуляторный блок в местах, где температура может достигать или превышать 50 °C (122 °F).
7. Не бросайте аккумуляторный блок в огонь, даже если он сильно поврежден или полностью вышел из строя. Аккумуляторный блок может взорваться под действием огня.
8. Запрещено вбивать гвозди в блок аккумулятора, резать, ломать, бросать, ронять блок аккумулятора или ударять его твердым предметом. Это может привести к пожару, перегреву или взрыву.
9. Не используйте поврежденный аккумуляторный блок.

10. Входящие в комплект литий-ионные аккумуляторы должны эксплуатироваться в соответствии с требованиями законодательства об опасных товарах.

При коммерческой транспортировке, например, третьей стороной или экспедитором, необходимо нанести на упаковку специальные предупреждения и маркировку.

В процессе подготовки устройства к отправке обязательно проконсультируйтесь со специалистом по опасным материалам. Также соблюдайте местные требования и нормы. Они могут быть строже.

Закройте или закрепите разомкнутые контакты и упакуйте аккумулятор так, чтобы он не перемещался по упаковке.

11. Для утилизации блока аккумулятора извлеките его из инструмента и утилизируйте безопасным способом. Выполняйте требования местного законодательства по утилизации аккумуляторного блока.
12. Используйте аккумуляторы только с продукцией, указанной Makita. Установка аккумуляторов на продукцию, не соответствующую требованиям, может привести к пожару, перегреву, взрыву или утечке электролита.
13. Если инструментом не будут пользоваться в течение длительного периода времени, извлеките аккумулятор из инструмента.
14. Во время и после использования блок аккумулятора может нагреваться, что может стать причиной ожогов или низкотемпературных ожогов. Будьте осторожны при обращении с горячим блоком аккумулятора.
15. Не прикасайтесь к контактам инструмента сразу после использования, поскольку они могут быть достаточно горячими, чтобы вызвать ожоги.
16. Не допускайте, чтобы обломки, пыль или земля прилипали к контактам, отверстиям и пазам на блоке аккумулятора. Это может привести к снижению эксплуатационных параметров, поломке инструмента или блока аккумулятора.
17. Если инструмент не рассчитан на использование вблизи высоковольтных линий электропередач, не используйте блок аккумулятора вблизи высоковольтных линий электропередач. Это может привести к неисправности, поломке инструмента или блока аккумулятора.
18. Храните аккумулятор в недоступном для детей месте.

## СОХРАНИТЕ ДАННЫЕ ИНСТРУКЦИИ.

**⚠ВНИМАНИЕ:** Используйте только фирменные аккумуляторные батареи Makita.

Использование аккумуляторных батарей, не произведенных Makita, или батарей, которые были подвергнуты модификациям, может привести к взрыву аккумулятора, пожару, травмам и повреждению имущества. Это также автоматически аннулирует гарантию Makita на инструмент и зарядное устройство Makita.

## Советы по обеспечению максимального срока службы аккумулятора

1. Заряжайте блок аккумуляторов перед его полной разрядкой. Обязательно прекратите работу с инструментом и зарядите блок аккумуляторов, если вы заметили снижение мощности инструмента.
2. Никогда не подзаряжайте полностью заряженный блок аккумуляторов. Перезарядка сокращает срок службы аккумулятора.
3. Заряжайте блок аккумуляторов при комнатной температуре в 10 - 40 °C (50 - 104 °F). Перед зарядкой горячего блока аккумуляторов дайте ему остыть.
4. Если блок аккумулятора не используется, извлеките его из инструмента или зарядного устройства.
5. Зарядите ионно-литиевый аккумуляторный блок, если вы не будете пользоваться инструментом длительное время (более шести месяцев).

## ОПИСАНИЕ РАБОТЫ

**ВНИМАНИЕ:** Перед регулировкой или проверкой функций инструмента обязательно убедитесь, что он выключен и его аккумуляторный блок снят.

### Установка или снятие блока аккумуляторов

**ВНИМАНИЕ:** Обязательно выключайте инструмент перед установкой и извлечением аккумуляторного блока.

**ВНИМАНИЕ:** При установке и извлечении аккумуляторного блока крепко удерживайте инструмент и аккумуляторный блок. Если не соблюдать это требование, они могут выскользнуть из рук, что приведет к повреждению инструмента, аккумуляторного блока и травмированию оператора.

► **Рис.1:** 1. Красный индикатор 2. Кнопка 3. Блок аккумулятора

Для снятия аккумуляторного блока нажмите кнопку на лицевой стороне и извлеките блок.

Для установки блока аккумулятора совместите выступ блока аккумулятора с пазом в корпусе и задвиньте его на место. Устанавливайте блок до упора так, чтобы он зафиксировался на месте с небольшим щелчком. Если вы можете видеть красный индикатор на верхней части клавиши, блок аккумулятора не полностью зафиксирован на месте.

**ВНИМАНИЕ:** Обязательно устанавливайте блок аккумулятора до конца, чтобы красный индикатор не был виден. В противном случае блок аккумулятора может выпасть из инструмента и нанести травму вам или другим людям.

**ВНИМАНИЕ:** Не прилагайте чрезмерных усилий при установке аккумуляторного блока. Если блок не двигается свободно, значит он вставлен неправильно.

## Индикация оставшегося заряда аккумулятора

Нажмите кнопку проверки на аккумуляторном блоке для проверки заряда. Индикаторы загорятся на несколько секунд.

► **Рис.2:** 1. Индикаторы 2. Кнопка проверки

Индикаторы			Уровень заряда
Горит	Выкл.	Мигает	
■ ■ ■ ■	□ □ □ □	□ □ □ □	от 75 до 100%
■ ■ ■ □	□ □ □ □	□ □ □ □	от 50 до 75%
■ ■ □ □	□ □ □ □	□ □ □ □	от 25 до 50%
■ □ □ □	□ □ □ □	□ □ □ □	от 0 до 25%
▣ □ □ □	□ □ □ □	□ □ □ □	Зарядите аккумуляторную батарею.
■ ■ □ □	□ □ □ □	□ □ □ □	Возможно, аккумуляторная батарея неисправна.
□ □ ■ ■	□ □ □ □	□ □ □ □	

**ПРИМЕЧАНИЕ:** В зависимости от условий эксплуатации и температуры окружающего воздуха индикация может незначительно отличаться от фактического значения.

**ПРИМЕЧАНИЕ:** Первая (дальняя левая) индикаторная лампа будет мигать во время работы защитной системы аккумулятора.

## Система защиты инструмента/ аккумулятора

На инструменте предусмотрена система защиты инструмента/аккумулятора. Она автоматически отключает питание для продления срока службы инструмента и аккумулятора. Инструмент автоматически отключится в указанных далее случаях, влияющих на работу самого инструмента или аккумулятора.

### Защита от перегрузки

Эта защита срабатывает в случае слишком высокого потребления тока инструментом или аккумулятором в текущем режиме эксплуатации. В этом случае выключите инструмент и прекратите работу, из-за которой произошла перегрузка инструмента. Затем включите инструмент для перезапуска.

### Защита от перегрева

Эта система защиты срабатывает в случае перегрева инструмента или аккумулятора; о срабатывании системы сигнализирует мигание лампы. В этом случае дайте инструменту и аккумулятору остыть перед повторным включением.



## Защита от переразрядки

Эта защита срабатывает, когда уровень заряда аккумулятора становится низким. В этой ситуации извлеките аккумулятор из инструмента и зарядите его.

### Действие выключателя

**ВНИМАНИЕ:** Перед установкой аккумуляторного блока в инструмент обязательно убедитесь, что его триггерный переключатель нормально работает и возвращается в положение "OFF" (ВЫКЛ) при отпускании.

Для запуска инструмента просто нажмите на триггерный переключатель. Для увеличения числа оборотов нажмите триггерный переключатель сильнее. Отпустите триггерный переключатель для остановки.

► **Рис.3:** 1. Триггерный переключатель

**ПРИМЕЧАНИЕ:** Инструмент автоматически остановится, если удерживать триггерный переключатель нажатым примерно 6 минут.

### Электрический тормоз

Этот инструмент оснащен электрическим тормозом. Если после отпускания триггерного переключателя не происходит быстрой остановки инструмента, отправьте инструмент в сервисный центр Makita для обслуживания.

### Включение передней лампы

**ВНИМАНИЕ:** Не смотрите непосредственно на свет или источник света.

Лампа продолжает гореть, пока нажат триггерный переключатель. Лампа будет светиться до тех пор, пока нажат триггерный переключатель. Лампа гаснет примерно через 10 секунд после отпускания триггерного переключателя.

► **Рис.4:** 1. Лампа

**ПРИМЕЧАНИЕ:** При перегреве инструмент автоматически останавливается, лампа начинает мигать. В этом случае отпустите триггерный переключатель. Лампа погаснет через одну минуту.

**ПРИМЕЧАНИЕ:** Для удаления пыли с линзы лампы используйте сухую ткань. Не допускайте возникновения царапин на линзе лампы, так как это приведет к снижению освещенности.

## Действие реверсивного переключателя

**ВНИМАНИЕ:** Перед работой всегда проверяйте направление вращения.

**ВНИМАНИЕ:** Используйте реверсивный переключатель только после полной остановки инструмента. Изменение направления вращения до полной остановки инструмента может привести к его повреждению.

**ВНИМАНИЕ:** Если инструмент не используется, обязательно переведите рычаг реверсивного переключателя в нейтральное положение.

Этот инструмент оборудован реверсивным переключателем для изменения направления вращения. Нажмите на рычаг реверсивного переключателя со стороны А для вращения по часовой стрелке или со стороны В для вращения против часовой стрелки. Когда рычаг реверсивного переключателя находится в нейтральном положении, триггерный переключатель нажать нельзя.

► **Рис.5:** 1. Рычаг реверсивного переключателя

## Изменение скорости

**ВНИМАНИЕ:** Всегда устанавливайте рычаг изменения скорости в правильное положение до конца. Если Вы работаете с инструментом, а рычаг изменения скорости находится посередине между обозначениями "1" и "2", это может привести к повреждению инструмента.

**ВНИМАНИЕ:** Не используйте рычаг переключения скорости при работающем инструменте. Это может привести к повреждению инструмента.

Отображаемая цифра	Скорость	Крутящий момент	Допустимые работы
1	Низкая	Высокая	Работа с высокой нагрузкой
2	Высокая	Низкая	Работа с малой нагрузкой

Для изменения скорости работы сначала выключите инструмент. Переведите рычаг изменения скорости в положение "2" для высоких оборотов или положение "1" для низких оборотов с высоким крутящим моментом. Перед началом работ убедитесь, что рычаг переключения скорости находится в правильном положении.

Если скорость работы инструмента значительно снизилась во время использования в режиме "2", переведите рычаг в положение "1" и продолжите работу.

► **Рис.6:** 1. Рычаг изменения скорости



## Регулировка крутящего момента затяжки

- **Рис.7:** 1. Регулировочное кольцо 2. Градуировка 3. Стрелка

Крутящий момент затяжки настраивается поворотом регулировочного кольца (предусмотрено 22 положения). Совместите градуировку со стрелкой на корпусе инструмента. Минимальному крутящему моменту затяжки соответствует положение 1, а максимальному – отметка 22.

Муфта будет проскальзывать при различных уровнях крутящего момента, установленного на значение от 1 до 21. Муфта не работает при выборе отметки 22. Перед выполнением работы закрутите пробный болт в ваш материал или деталь из такого материала для определения необходимого крутящего момента для данного конкретного применения. Ниже приводятся ориентировочные данные о зависимости между размером шурупа и градуировкой.

Градуировка		1	2	3	4	5	6	7	8	9	10	11	12	13	14	15	16	17	18	19	20	21
Мелкий крепежный винт		M4						M5						M6								
Шуруп	Мягкое дерево (например, сосна)	–						φ3,5 x 22			φ4,1 x 38			–								
	Твердое дерево (например, диптерокарп)	–						φ3,5 x 22			φ4,1 x 38			–								

## СБОРКА

**⚠ ВНИМАНИЕ:** Перед проведением каких-либо работ с инструментом обязательно убедитесь, что инструмент отключен, а блок аккумулятора снят.

### Установка или снятие насадки для отвертки или головки сверла

- **Рис.8:** 1. Муфта 2. Закрыть 3. Открыть

Поверните муфту против часовой стрелки для открытия кулачков зажимного патрона. Вставьте насадку для отвертки или головку сверла в зажимной патрон как можно глубже. Поверните муфту по часовой стрелке для затяжки патрона. Для снятия насадки/головки поверните муфту против часовой стрелки.

### Установка крючка

**⚠ ВНИМАНИЕ:** При установке крючка надежно фиксируйте его винтом. В противном случае крючок может отсоединиться от инструмента, что может привести к травме.

**⚠ ВНИМАНИЕ:** Используйте детали для подвешивания и монтажа только по назначению. Использование этих деталей не по назначению может привести к несчастному случаю или травме.

- **Рис.9:** 1. Паз 2. Крючок 3. Винт

Крючок удобен для временного подвешивания инструмента. Он может быть установлен с любой стороны инструмента. Для установки крючка вставьте его в паз в корпусе инструмента с одной из сторон и закрепите при помощи винта. Чтобы снять крючок, необходимо сначала отвернуть винт.

**ПРИМЕЧАНИЕ:** Перед тем как подвесить инструмент на пояс с помощью крючка, извлеките насадку для отвертки / головку сверла и боковую ручку.

### Порядок установки держателя насадки для отвертки

#### Дополнительные принадлежности

- **Рис.10:** 1. Держатель насадок для отвертки 2. Насадка для отвертки

Установите держатель насадок в выступ на основании инструмента с правой или левой стороны и закрепите его при помощи винта. Если насадки для отвертки не используются, храните их в специальных держателях. Здесь могут храниться насадки длиной до 45 мм.

### Установка боковой ручки (вспомогательной рукоятки)

#### Дополнительные принадлежности

- **Рис.11:** 1. Выступ 2. Направляющая насадка 3. Выемка 4. Ручка

Вставьте боковую ручку таким образом, чтобы выступы на направляющей насадке вошли в выемки на инструменте. После этого затяните ручку, вращая ее по часовой стрелке. В зависимости от выполняемых работ боковую ручку можно устанавливать с левой или с правой стороны.

## ЭКСПЛУАТАЦИЯ

**▲ВНИМАНИЕ:** Всегда устанавливайте блок аккумулятора до упора так, чтобы он зафиксировался на месте. Если вы можете видеть красный индикатор на верхней части клавиши, блок аккумулятора не полностью установлен на месте. Установите его до конца так, чтобы красный индикатор был не виден. В противном случае блок может выпасть из инструмента и нанести травму вам или другим людям.

**▲ВНИМАНИЕ:** В случае значительного снижения оборотов уменьшите нагрузку или остановите инструмент во избежание его повреждения.

Для управления выдвигаемым действием инструмента крепко держите его одной рукой за ручку, а другой - за нижнюю часть блока аккумуляторной батареи.

### Работа в режиме шуруповерта

**▲ВНИМАНИЕ:** Установите регулировочное кольцо на соответствующий уровень крутящего момента для вашей работы.


**▲ВНИМАНИЕ:** Следите за тем, чтобы насадка для отвертки вставлялась прямо в головку винта, иначе можно повредить винт и/или насадку.

Установите конец насадки в головку шурупа и надавите инструмент к шурупу. Включите инструмент на медленной скорости и затем постепенно увеличивайте ее. Отпустите триггерный переключатель, как только сработает сцепление.

► Рис.12

**ПРИМЕЧАНИЕ:** При закручивании шурупов в дерево предварительно просверлите направляющее отверстие, диаметр которого равен 2/3 диаметра шурупа. Это облегчит закручивание шурупа и предотвратит возникновение трещин в детали.

### Сверление

Сначала поверните регулировочное кольцо, чтобы совместить указатель со стрелкой . Затем действуйте следующим образом.

### Сверление дерева

При сверлении дерева наилучшие результаты достигаются с применением сверл для дерева с направляющим винтом. Направляющий винт упрощает сверление, удерживая головку сверла в обрабатываемой детали.

### Сверление металла

Для предотвращения скольжения сверла при начале сверления сделайте углубление с помощью кернера и молотка в точке сверления. Вставьте острие головки сверла в углубление и начните сверление. При сверлении металлов пользуйтесь смазочно-охлаждающей жидкостью. Исключение составляют железо и латунь, которые надо сверлить насухо.

**▲ВНИМАНИЕ:** Чрезмерное нажатие на инструмент не ускорит сверление. На самом деле, чрезмерное давление только повредит наконечник головки сверла, снизит производительность инструмента и сократит срок его службы.

**▲ВНИМАНИЕ:** Крепко удерживайте инструмент и будьте осторожны, когда головка сверла начинает проходить сквозь обрабатываемую деталь. В момент выхода головки сверла из детали возникает огромное усилие на инструмент/сверло.

**▲ВНИМАНИЕ:** Заклинившая головка сверла может быть без проблем извлечена из обрабатываемой детали путем изменения направления вращения при помощи реверсивного переключателя. Однако если вы не будете крепко держать инструмент, он может резко сдвинуться назад.

**▲ВНИМАНИЕ:** Всегда закрепляйте обрабатываемые детали в тисках или аналогичном зажимном устройстве.

**▲ВНИМАНИЕ:** Если инструмент эксплуатировался непрерывно до разряда блока аккумулятора, сделайте перерыв на 15 минут перед началом работы с заряженным аккумулятором.

## ОБСЛУЖИВАНИЕ

**▲ВНИМАНИЕ:** Перед проведением проверки или работ по техобслуживанию всегда проверяйте, что инструмент выключен, а блок аккумулятора снят.

**ПРИМЕЧАНИЕ:** Запрещается использовать бензин, растворители, спирт и другие подобные жидкости. Это может привести к обесцвечиванию, деформации и трещинам.

Для обеспечения БЕЗОПАСНОСТИ и НАДЕЖНОСТИ оборудования ремонт, любое другое техобслуживание или регулировку необходимо производить в уполномоченных сервис-центрах Makita или сервис-центрах предприятия с использованием только сменных частей производства Makita.

## ДОПОЛНИТЕЛЬНЫЕ ПРИНАДЛЕЖНОСТИ

**⚠ ВНИМАНИЕ:** Данные принадлежности или приспособления рекомендуются для использования с инструментом Makita, указанным в настоящем руководстве. Использование других принадлежностей или приспособлений может привести к получению травмы. Используйте принадлежность или приспособление только по указанному назначению.

Если вам необходимо содействие в получении дополнительной информации по этим принадлежностям, свяжитесь с вашим сервис-центром Makita.

- Головки сверл
- Насадки для отвертки
- Держатель насадок для отвертки
- Крючок
- Боковая ручка
- Оригинальный аккумулятор и зарядное устройство Makita

**ПРИМЕЧАНИЕ:** Некоторые элементы списка могут входить в комплект инструмента в качестве стандартных приспособлений. Они могут отличаться в зависимости от страны.

**Makita Europe N.V.** Jan-Baptist Vinkstraat 2,  
3070 Kortenberg, Belgium

**Makita Corporation** 3-11-8, Sumiyoshi-cho,  
Anjo, Aichi 446-8502 Japan

[www.makita.com](http://www.makita.com)

885844A968 EN, SL, SQ, BG, HR, MK, SR, RO, UK, RU 20200911
--