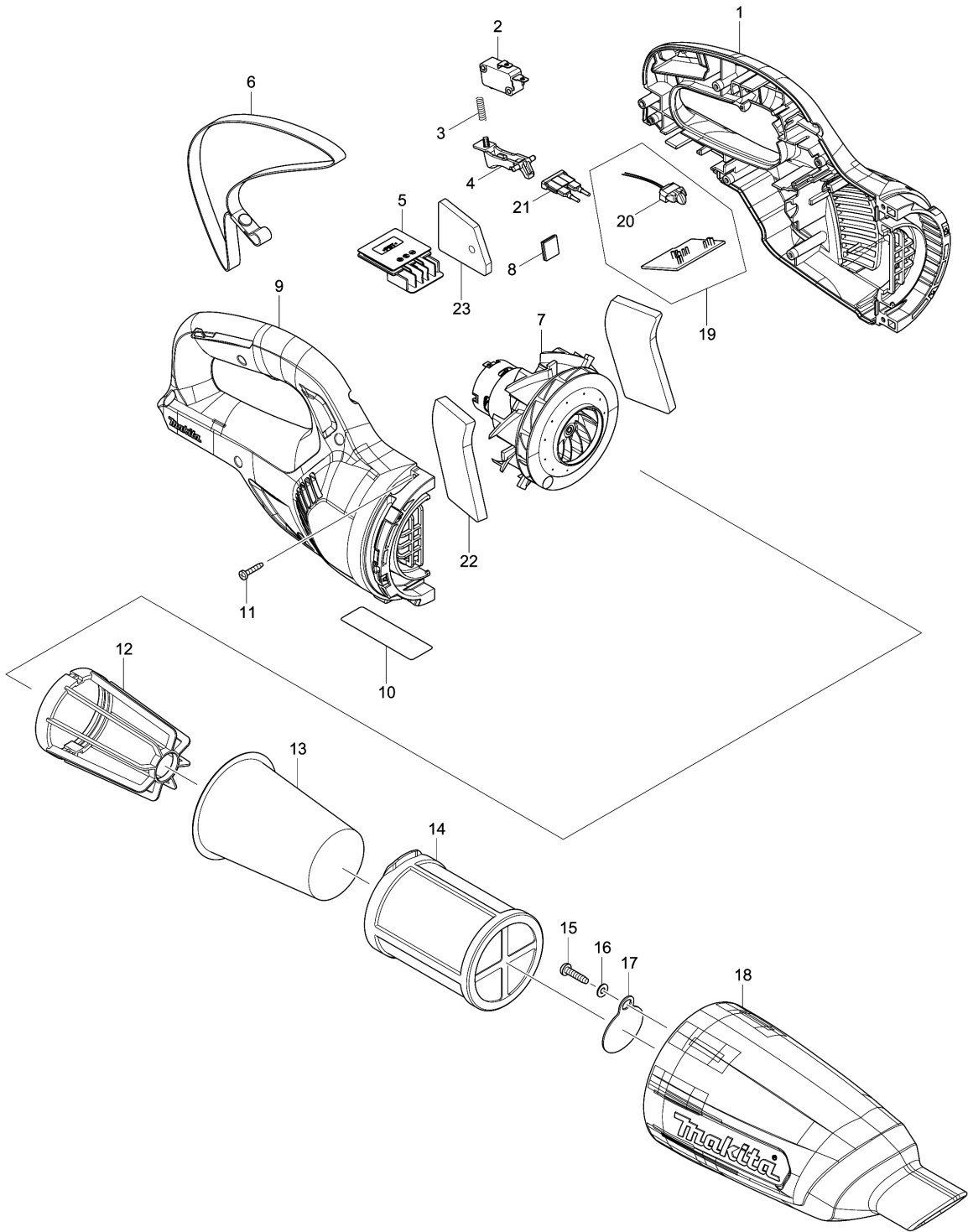


Model No.CL106FD CORDLESS CLEANER



Model No.CL106FD CORDLESS CLEANER

Položaj	Številka dela	Opis	Sprememba	Količina	New/Old	Opcijsko 1	Opcijsko 2	Opomba
001	183E88-6	HOUSING SET		1				
D10		INC. 9						
002	650744-8	SWITCH D3V-16-3C26		1				
003	231473-8	Tlačna spiralna vzmet 4 MNH352		1				
004	455743-3	SWITCH LEVER		1				
005	644813-5	TERMINAL		1				
007	123849-2	MOTOR ASSEMBLY		1				
008	424248-4	SPONGE SHEET 15-25		1				
009	183E88-6	HOUSING SET		1				
D10		INC. 1						
010	852S17-1	CL106FD NAME PLATE		1				
011	266429-2	Samovrezni vijak 3x16		7				
012	410237-5	Nosilec filtra		1	*			
012-1	458467-0	STAY	<	1				
013	443060-3	Filter prahu ročnega sesalnika		1				
014	451208-3	Filter za sesalnik		1				
015	265995-6	Samovrezni vijak 4X18 HP1620		1				
016	941051-3	Ploska podložka 4		1				
017	424208-6	VALVE BCL180Z		1				
018	457281-1	CAPSULE		1				
019	632H49-6	CONTROLLER UNIT		1	*			
C10	688164-6	Linjski filter za enosmerno napetost		2	*			
D10		INC. 20			*			
019-1	632R93-3	CONTROLLER UNIT	<	1				
C10	688164-6	Linjski filter za enosmerno napetost		2				
D10		INC. 20						
020	620601-4	LED CIRCUIT		1	*			
020-1	620E97-9	LED CIRCUIT	<	1				
021	632H63-2	FUSE UNIT		1				
022	424913-5	SPONGE SHEET 35-70		2				
023	422150-5	SPONGE SHEET 38-43		1				
024	422268-2	SPONGE SHEET 57		1				
A01	123488-8	FLOOR T-NOZZLE 28 BLU		1				
C10	451410-8	Valjček		4				
C20	268208-4	Zatič 3		4				
C30	424096-1	WIPER		1				
A02	451243-1	Ozki nastavek za sesalnik		1				
A03	451244-9	Podaljšana cev za sesalnik		1				
A04	451245-7	SASH NOZZLE HOLDER		1				
A05A	197394-3	BATTERY BL1020B SET		1	*			

Model No.CL106FD CORDLESS CLEANER

Položaj	Številka dela	Opis	Sprememba	Količina	New/Old	Opcijsko 1	Opcijsko 2	Opomba
A05-1A	197396-9	BATTERY BL1021B SET	<	1	*			
A05-2A	197396-9	BATTERY BL1021B SET	O	1				
A06A	456128-6	BATTERY COVER		1				
A07A	***DC10WC	DC10WC BATTERY CHARGER		1	*			
D10		COMPO-PARTS			*			
A07-1A	***DC10WD	DC10WD BATTERY CHARGER	<	1				
D10		COMPO-PARTS						

Please order the parts with part number.

Print Date 16/2/2021