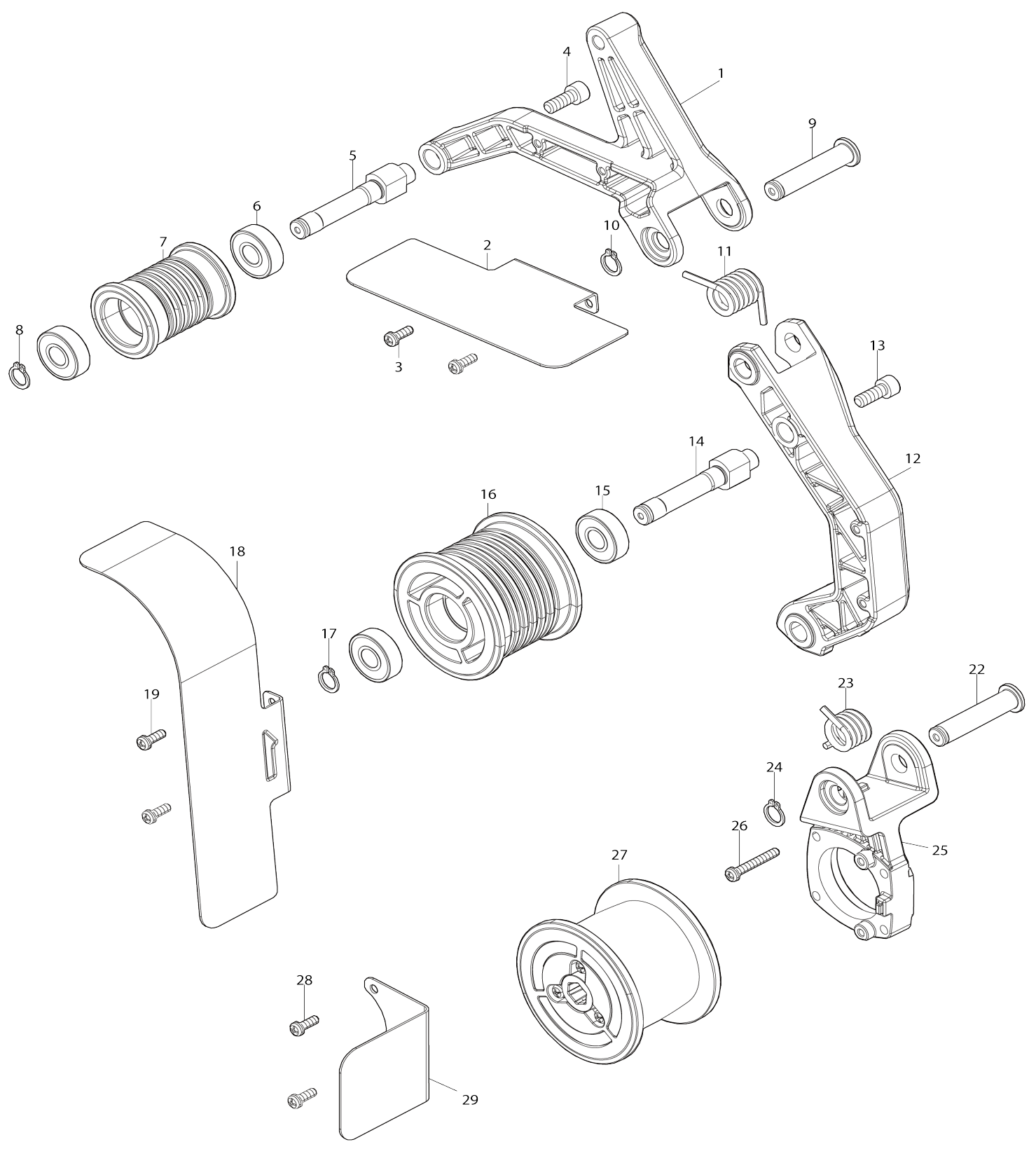
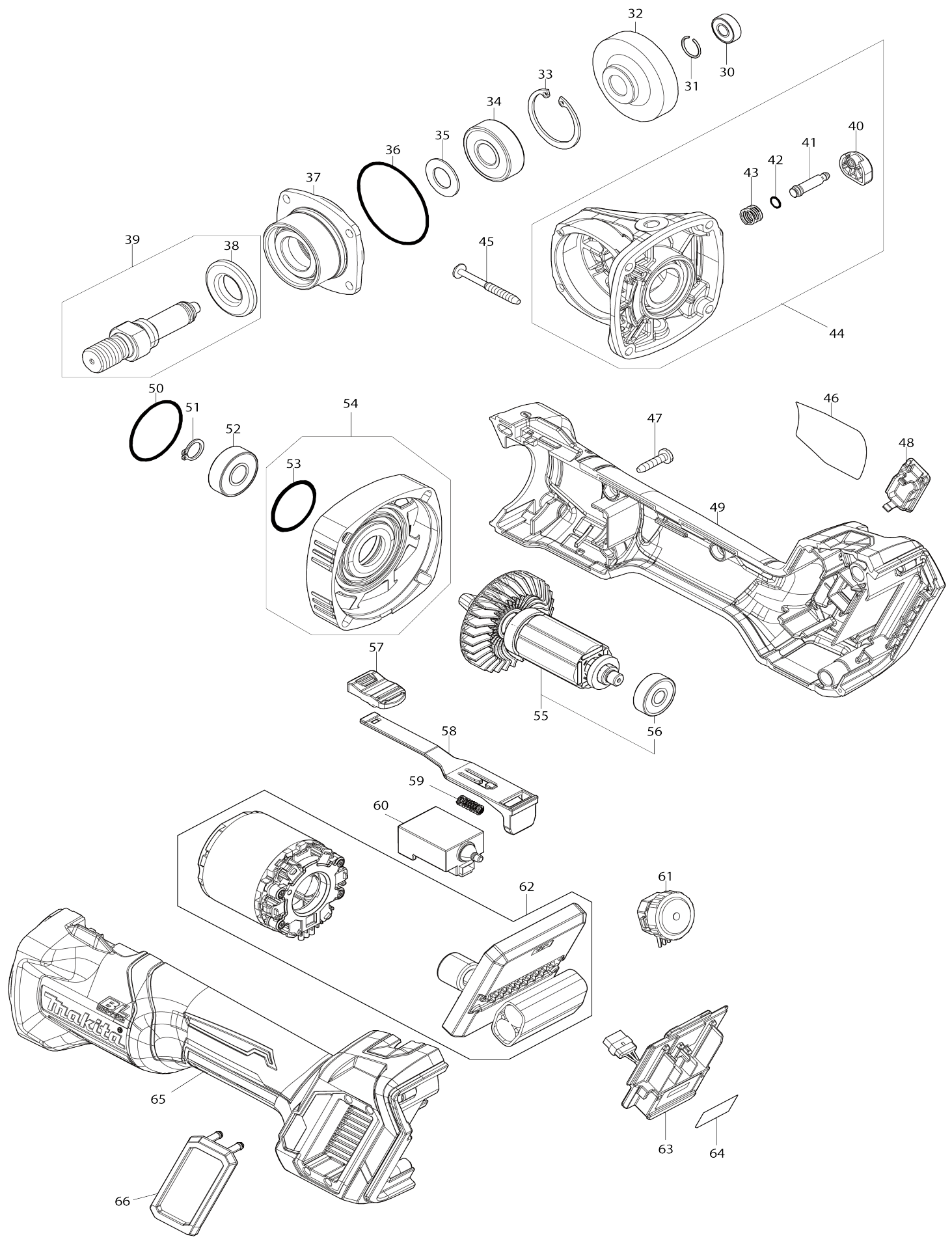


Model No.BS002G Cordless Pipe Belt Sander



Model No. BS002G Cordless Pipe Belt Sander



Model No.BS002G Cordless Pipe Belt Sander

Item No.	Parts No.	Description	Interchangability	Q'ty	New/Old	Note1	Note2
001	312H83-9	Arm B		1			
002	347D55-1	Safety cover C		1			
003	911116-5	Pan head screw M4X12 W		2			
004	265A36-4	Hex. socket head bolt M6X16		1			
005	327E84-6	Roller shaft		1			
006	210332-9	Ball bearing 6000DDW		2			
007	4132D2-1	Guide roller A		1			
008	961006-2	Retaining ring (EXT) S-10		1			
009	256A99-1	Shoulder pin 10		1			
010	961006-2	Retaining ring (EXT) S-10		1			
011	232928-6	Torsion spring 12B		1			
012	1413R8-0	Arm A complete		1			
C10	422C21-4	Felt A		1			
013	265A36-4	Hex. socket head bolt M6X16		1			
014	327E84-6	Roller shaft		1			
015	210332-9	Ball bearing 6000DDW		2			
016	4132D3-9	Guide roller B		1			
017	961006-2	Retaining ring (EXT) S-10		1			
018	347D54-3	Safety cover B		1			
019	911116-5	Pan head screw M4X12 W		2			
022	256A99-1	Shoulder pin 10		1			
023	232927-8	Torsion spring 12A		1			
024	961006-2	Retaining ring (EXT) S-10		1			
025	1413R7-2	Holder complete		1			
C10	422C22-2	Felt B		1			
026	911151-3	Pan head screw M4X28 W		4			
027	122J04-3	Driving roller assembly		1			
C10	4132R7-9	Cover		2			
C20	911128-8	Pan head screw M4X16 WR		6			
028	911116-5	Pan head screw M4X12 W		2			
029	347D53-5	Safety cover A		1			
030	210033-9	Ball bearing 696ZZ		1			
031	233950-6	Ring spring 11		1			
032	227C68-1	Spiral bevel gear 48		1			
033	962151-6	Retaining ring (INT) R-32		1			
034	211129-9	Ball bearing 6201DDW		1			
035	253464-9	Flat washer 12		1			
036	213622-9	O-ring 45		1			
037	312H86-3	Bearing box		1			
038	347640-6	Labyrinth ring		1			
039	136260-9	Spindle assembly		1			
039		INC. 38					
040	417771-6	Pin cap		1			
041	256546-6	Shoulder pin 4		1			
042	213960-9	O-ring 5		1			
043	233072-2	Compression spring 8		1			
044	137435-3	GEAR HOUSING ASS'Y		1			

C10	263002-9	Rubber pin 4		1		
044		INC. 40-43				
045	266048-4	Binding head tapping screw 4X4 0		4		
046	8154Y4-6	BS002G NAME PLATE		1		
047	266326-2	Binding head tapping screw 4X1 8		5		
048	4132B6-9	Cap		1		
049	183W44-4	Motor housing set		1		
C10	263005-3	Rubber pin 6		2		
049		INC. 65				
050	213A32-6	O-ring 32		1		
051	961006-2	Retaining ring (EXT) S-10		1		
052	211097-6	Ball bearing 6000LLB		1		
053	213445-5	O-ring 26		1		
054	136989-7	Gear housing cover assembly		1		
054		INC. 53				
055	519945-6	ROTOR ASS'Y		1		
055		INC. 56				
056	210325-6	Ball bearing 627DDW		1		
057	455447-7	Switch knob		1		
058	412233-9	Switch lever		1		
059	233121-5	Compression spring 4		1		
060	651445-1	Switch FPM-1130		1		
061	620T37-7	Dial circuit		1		
062	629D71-8	Stator complete		1		
063	632P65-6	Terminal unit		1		
064	8154Y6-2	BS002G SERIAL NO. LABEL		1		
065	183W44-4	Motor housing set		1		
C10	263005-3	Rubber pin 6		2		
065		INC. 49				
066	422610-7	Dust cover		1		
A01	1910X6-8	Grip 35 set		1		
E01	8098E7-4	INDICATION LABEL		1		

Please state Parts No. when your order.

Print Date 22. 05. 2026