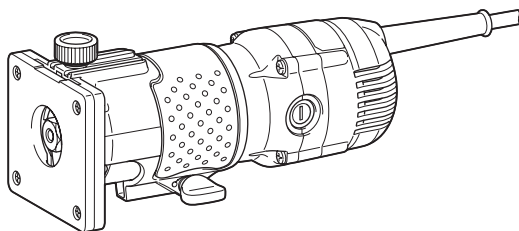




EN	Trimmer	INSTRUCTION MANUAL	7
SL	Rezkalnik	NAVODILA ZA UPORABO	12
SQ	Makina buzëprerëse	MANUALI I PËRDORIMIT	17
BG	Тример	РЪКОВОДСТВО ЗА ЕКСПЛОАТАЦИЯ	22
HR	Škare	PRIRUČNIK S UPUTAMA	28
MK	Фреза	УПАТСТВО ЗА УПОТРЕБА	33
SR	Тример	УПУТСТВО ЗА УПОТРЕБУ	39
RO	Mașină de frezat unimanuală	MANUAL DE INSTRUCȚIUNI	44
UK	Тример	ІНСТРУКЦІЯ З ЕКСПЛУАТАЦІЇ	49
RU	Триммер	РУКОВОДСТВО ПО ЭКСПЛУАТАЦИИ	55

3711



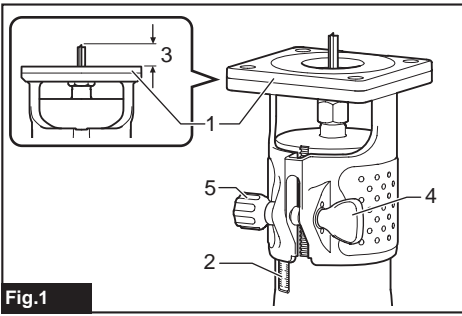


Fig.1

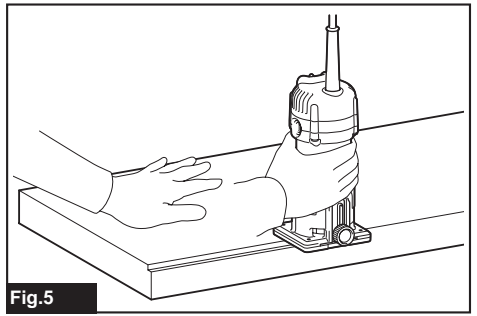


Fig.5

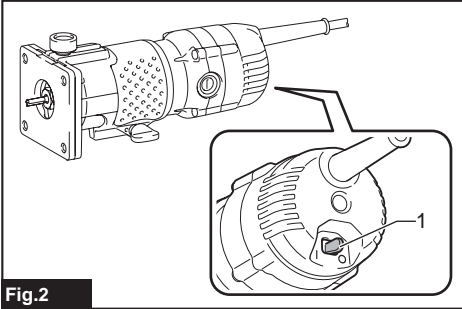


Fig.2

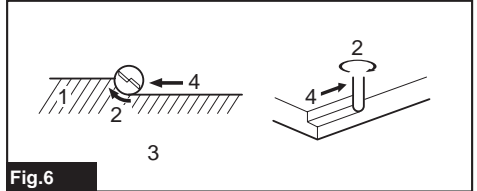


Fig.6

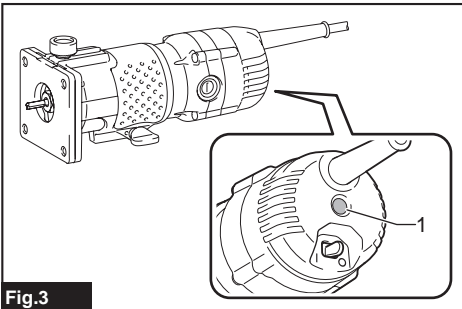


Fig.3

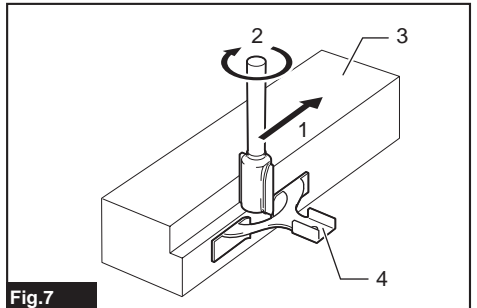


Fig.7

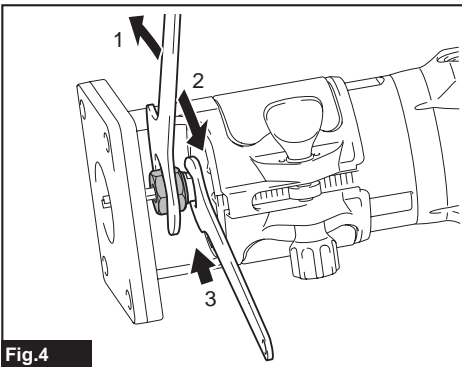


Fig.4

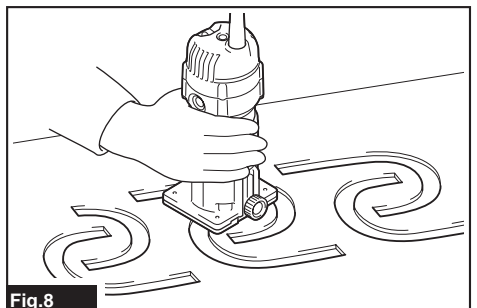
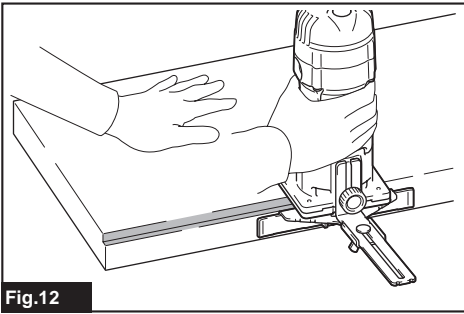
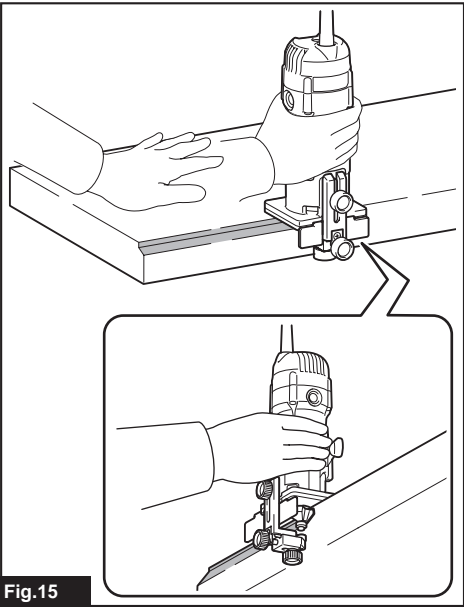
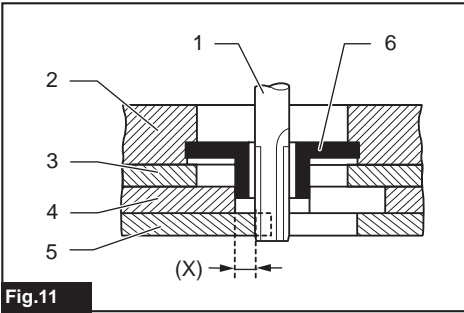
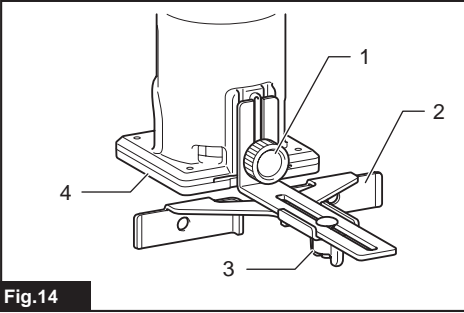
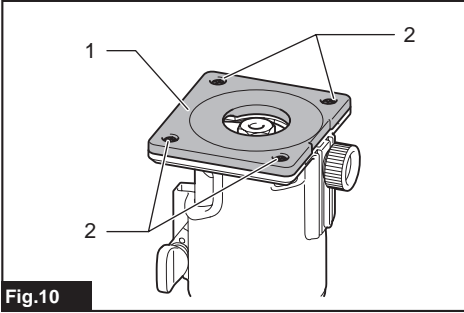
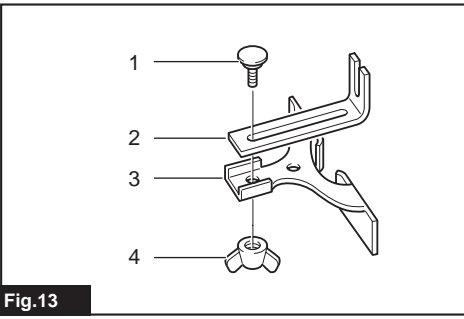
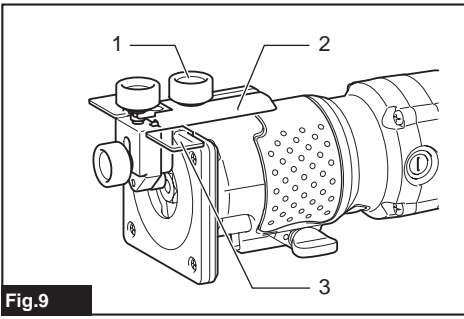


Fig.8



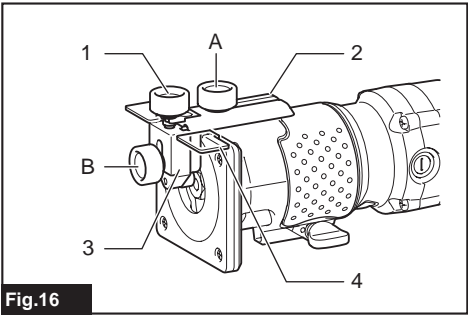


Fig.16

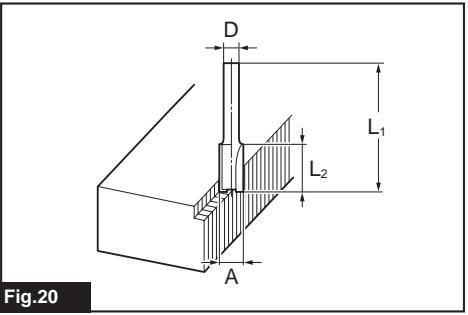


Fig.20

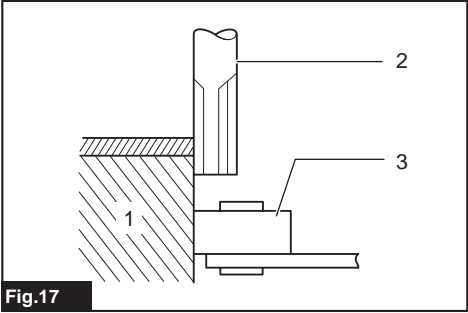


Fig.17

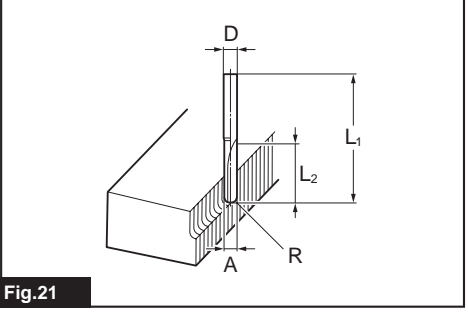


Fig.21

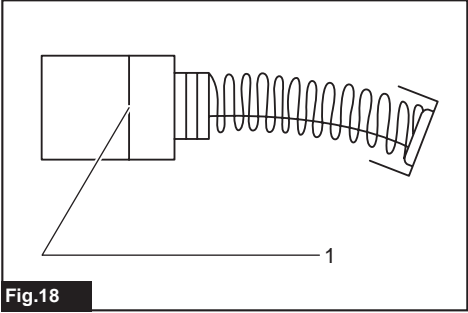


Fig.18

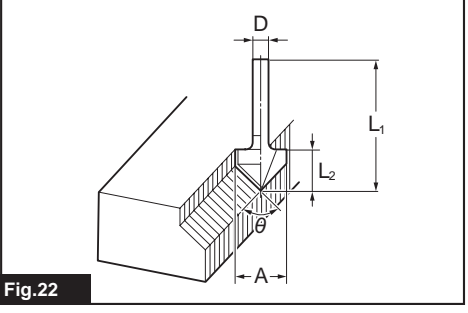


Fig.22

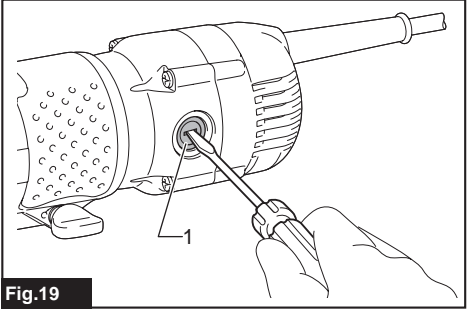


Fig.19

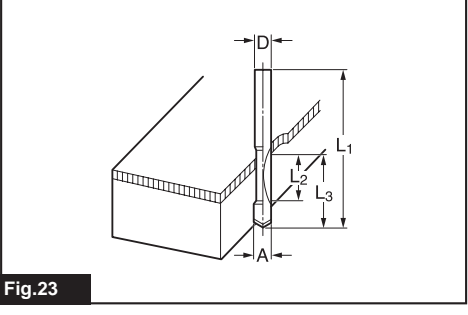
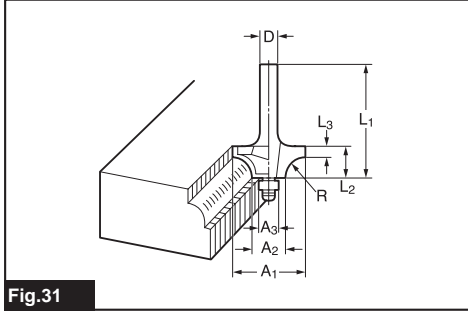
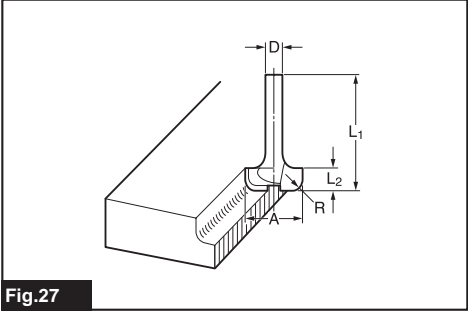
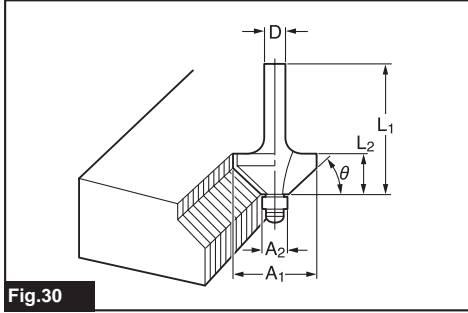
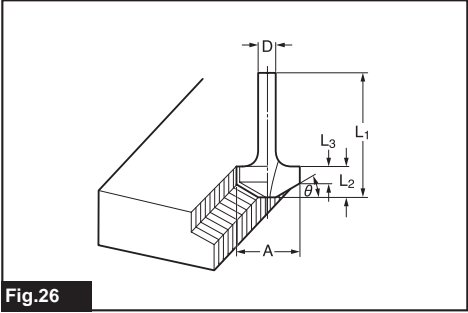
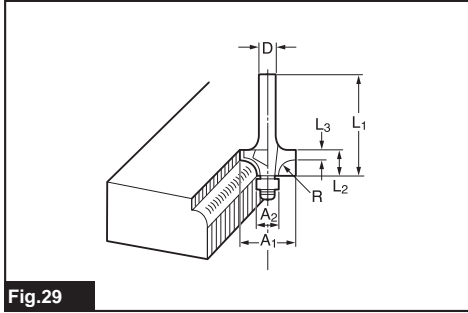
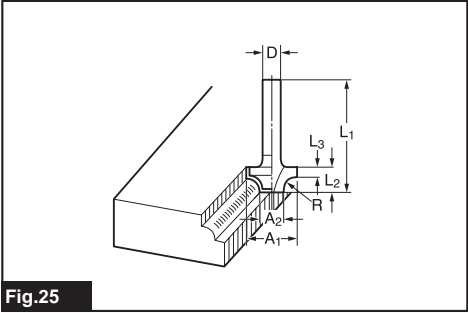
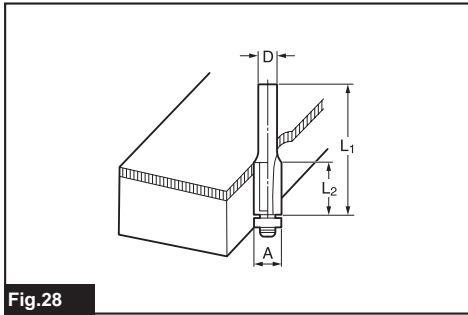
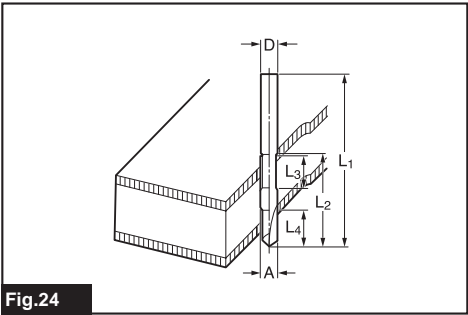
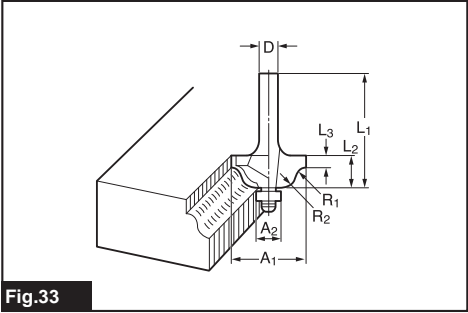
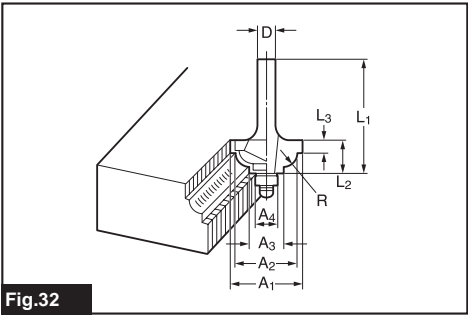


Fig.23





## SPECIFICATIONS

Model:	3711
Collet chuck capacity	6.35 mm (1/4") or 6.0 mm
No load speed	32,000 min <sup>-1</sup>
Overall height	211 mm
Net weight	1.5 kg
Safety class	▣/II

- Due to our continuing program of research and development, the specifications herein are subject to change without notice.
- Specifications may differ from country to country.
- Weight according to EPTA-Procedure 01/2014

### Intended use

The tool is intended for trimming the edge of laminate sheet or similar materials.

### Power supply

The tool should be connected only to a power supply of the same voltage as indicated on the nameplate, and can only be operated on single-phase AC supply. They are double-insulated and can, therefore, also be used from sockets without earth wire.

### Noise

The typical A-weighted noise level determined according to 62841-2-17:

Sound pressure level (L<sub>pA</sub>) : 83 dB(A)

Sound power level (L<sub>WA</sub>) : 94 dB (A)

Uncertainty (K) : 3 dB(A)

**NOTE:** The declared noise emission value(s) has been measured in accordance with a standard test method and may be used for comparing one tool with another.

**NOTE:** The declared noise emission value(s) may also be used in a preliminary assessment of exposure.

**⚠ WARNING:** Wear ear protection.

**⚠ WARNING:** The noise emission during actual use of the power tool can differ from the declared value(s) depending on the ways in which the tool is used especially what kind of workpiece is processed.

**⚠ WARNING:** Be sure to identify safety measures to protect the operator that are based on an estimation of exposure in the actual conditions of use (taking account of all parts of the operating cycle such as the times when the tool is switched off and when it is running idle in addition to the trigger time).

### Vibration

The vibration total value (tri-axial vector sum) determined according to 62841-2-17:

Work mode: rotation without load

Vibration emission (a<sub>h</sub>) : 2.5 m/s<sup>2</sup> or less

Uncertainty (K) : 1.5 m/s<sup>2</sup>

**NOTE:** The declared vibration total value(s) has been measured in accordance with a standard test method and may be used for comparing one tool with another.

**NOTE:** The declared vibration total value(s) may also be used in a preliminary assessment of exposure.

**⚠ WARNING:** The vibration emission during actual use of the power tool can differ from the declared value(s) depending on the ways in which the tool is used especially what kind of workpiece is processed.

**⚠ WARNING:** Be sure to identify safety measures to protect the operator that are based on an estimation of exposure in the actual conditions of use (taking account of all parts of the operating cycle such as the times when the tool is switched off and when it is running idle in addition to the trigger time).

### EC Declaration of Conformity

*For European countries only*

The EC declaration of conformity is included as Annex A to this instruction manual.

## SAFETY WARNINGS

### General power tool safety warnings

**⚠ WARNING:** Read all safety warnings, instructions, illustrations and specifications provided with this power tool. Failure to follow all instructions listed below may result in electric shock, fire and/or serious injury.

## Save all warnings and instructions for future reference.

The term "power tool" in the warnings refers to your mains-operated (corded) power tool or battery-operated (cordless) power tool.

### Trimmer safety warnings

1. **Hold the power tool by insulated gripping surfaces only, because the cutter may contact its own cord.** Cutting a "live" wire may make exposed metal parts of the power tool "live" and could give the operator an electric shock.
2. **Use clamps or another practical way to secure and support the workpiece to a stable platform.** Holding the work by your hand or against the body leaves it unstable and may lead to loss of control.
3. **The trimmer bit shank must match the designed collet chuck.**
4. **Only use a trimmer bit that is rated at least equal to the maximum speed marked on the tool.**
5. **Wear hearing protection during extended period of operation.**
6. **Handle the trimmer bits very carefully.**
7. **Check the trimmer bit carefully for cracks or damage before operation. Replace cracked or damaged bit immediately.**
8. **Avoid cutting nails. Inspect for and remove all nails from the workpiece before operation.**
9. **Hold the tool firmly.**
10. **Keep hands away from rotating parts.**
11. **Make sure the trimmer bit is not contacting the workpiece before the switch is turned on.**
12. **Before using the tool on an actual workpiece, let it run for a while. Watch for vibration or wobbling that could indicate improperly installed bit.**
13. **Be careful of the trimmer bit rotating direction and the feed direction.**
14. **Do not leave the tool running. Operate the tool only when hand-held.**
15. **Always switch off and wait for the trimmer bit to come to a complete stop before removing the tool from workpiece.**
16. **Do not touch the trimmer bit immediately after operation; it may be extremely hot and could burn your skin.**
17. **Do not smear the base carelessly with thinner, gasoline, oil or the like. They may cause cracks in the base.**
18. **Some material contains chemicals which may be toxic. Take caution to prevent dust inhalation and skin contact. Follow material supplier safety data.**
19. **Always use the correct dust mask/respirator for the material and application you are working with.**
20. **Place the tool on stable area. Otherwise falling accident may occur and cause an injury.**

## SAVE THESE INSTRUCTIONS.

**⚠ WARNING:** DO NOT let comfort or familiarity with product (gained from repeated use) replace strict adherence to safety rules for the subject product. MISUSE or failure to follow the safety rules stated in this instruction manual may cause serious personal injury.

## FUNCTIONAL DESCRIPTION

**⚠ CAUTION:** Always be sure that the tool is switched off and unplugged before adjusting or checking function on the tool.

### Adjusting trimmer bit protrusion

To adjust the bit protrusion, loosen the clamping screw and move the base up or down as desired by turning the adjusting screw. After adjusting, tighten the clamping screw firmly to secure the base.

► **Fig.1:** 1. Base 2. Scale 3. Bit protrusion 4. Clamping screw 5. Adjusting screw

### Switch action

**⚠ CAUTION:** Before plugging in the tool, always be sure that the tool is switched off.

To start the tool, move the switch lever to the I position. To stop the tool, move the switch lever to the O position.

► **Fig.2:** 1. Switch lever

### Electronic function

The tool is equipped with the electronic functions for easy operation.

### Indication lamp

► **Fig.3:** 1. Indication lamp

The indication lamp lights up green when the tool is plugged. If the indication lamp does not light up, the mains cord or the controller may be defective. The indication lamp is lit but the tool does not start even if the tool is switched on, the carbon brushes may be worn out, or the controller, the motor or the ON/OFF switch may be defective.

### Unintentional restart proof

The tool does not start with the switch lever in I position even when the tool is plugged.

At this time, the indication lamp blinks in red and shows the unintentional restart proof device is on function.

To cancel the unintentional restart proof, return the switch lever to O position.

### Soft start feature

Soft-start feature minimizes start-up shock, and makes the tool start smoothly.



## ASSEMBLY

**⚠ CAUTION:** Always be sure that the tool is switched off and unplugged before carrying out any work on the tool.

### Installing or removing trimmer bit

**⚠ CAUTION:** Do not tighten the collet nut without inserting a trimmer bit, or the collet cone will break.

**⚠ CAUTION:** Use only the wrenches provided with the tool.

Insert the trimmer bit all the way into the collet cone and tighten the collet nut securely with the two wrenches. To remove the bit, follow the installation procedure in reverse.

► **Fig.4:** 1. Loosen 2. Tighten 3. Hold

## OPERATION

**⚠ CAUTION:** Always hold the tool firmly with one hand on housing. Do not touch the metal part.

1. Set the base on the workpiece to be cut without the trimmer bit making any contact.
2. Turn the tool on and wait until the trimmer bit attains full speed.
3. Move the tool forward over the workpiece surface, keeping the base flush and advancing smoothly until the cutting is complete.  
► **Fig.5**

When doing edge cutting, the workpiece surface should be on the left side of the trimmer bit in the feed direction.

► **Fig.6:** 1. Workpiece 2. Bit revolving direction 3. View from the top of the tool 4. Feed direction

When using the straight guide or the trimmer guide, be sure to keep it on the right side in the feed direction. This will help to keep it flush with the side of the workpiece.

► **Fig.7:** 1. Feed direction 2. Bit revolving direction 3. Workpiece 4. Straight guide

**NOTE:** Moving the tool forward too fast may cause a poor quality of cut, or damage to the trimmer bit or motor. Moving the tool forward too slowly may burn and mar the cut. The proper feed rate will depend on the bit size, the kind of workpiece and depth of cut. Before beginning the cut on the actual workpiece, it is advisable to make a sample cut on a piece of scrap lumber. This will show exactly how the cut will look as well as enable you to check dimensions.

## Templet guide

The templet guide provides a sleeve through which the trimmer bit passes, allowing use of the trimmer with templet patterns.

► **Fig.8**

1. Loosen the clamping screw and then remove the guide holder and the chip deflector.

► **Fig.9:** 1. Clamping screw 2. Guide holder 3. Chip deflector

2. Loosen the screws and remove the base protector.

► **Fig.10:** 1. Base protector 2. Screws

3. Place the templet guide on the base, and place the base protector again. Then secure the base protector by tightening the screws.

4. Secure the templet to the workpiece. Place the tool on the templet and move the tool with the templet guide sliding along the side of the templet.

► **Fig.11:** 1. Trimmer bit 2. Base 3. Base protector 4. Templet 5. Workpiece 6. Templet guide

**NOTE:** The workpiece will be cut a slightly different size from the templet. Allow for the distance (X) between the trimmer bit and the outside of the templet guide. The distance (X) can be calculated by using the following equation:

**Distance (X) = (outside diameter of the templet guide - trimmer bit diameter) / 2**

## Straight guide

The straight guide is effectively used for straight cuts when chamfering.

► **Fig.12**

1. Attach the guide plate to the straight guide with the bolt and the wing nut.

► **Fig.13:** 1. Bolt 2. Guide plate 3. Straight guide 4. Wing nut

2. Remove the guide holder and the chip deflector then attach the straight guide with the clamping screw.

► **Fig.14:** 1. Clamping screw 2. Straight guide 3. Wing nut 4. Base

3. Loosen the wing nut on the straight guide and adjust the distance between the trimmer bit and the straight guide. At the desired distance, tighten the wing nut securely.

4. When cutting, move the tool with the straight guide flush with the side of the workpiece.

## Trimmer guide

Trimming, curved cuts in veneers for furniture and the like can be done easily with the trimmer guide. The guide roller rides the curve and assures a fine cut.

► **Fig.15**

1. Attach the chip deflector on the groove of the base.

2. Install the trimmer guide and guide holder on the base with the clamping screw (A).

3. Loosen the clamping screw (B) and adjust the distance between the trimmer bit and the trimmer guide by turning the adjusting screw (1 mm per turn). At the desired distance, tighten the clamping screw (B) to secure the trimmer guide in place.

► **Fig.16:** 1. Adjusting screw 2. Guide holder  
3. Trimmer guide 4. Chip deflector

4. When cutting, move the tool with the guide roller riding the side of the workpiece.

► **Fig.17:** 1. Workpiece 2. Trimmer bit 3. Guide roller

## MAINTENANCE

**CAUTION:** Always be sure that the tool is switched off and unplugged before attempting to perform inspection or maintenance.

**NOTICE:** Never use gasoline, benzine, thinner, alcohol or the like. Discoloration, deformation or cracks may result.

To maintain product SAFETY and RELIABILITY, repairs, any other maintenance or adjustment should be performed by Makita Authorized or Factory Service Centers, always using Makita replacement parts.

## Replacing carbon brushes

► **Fig.18:** 1. Limit mark

Check the carbon brushes regularly. Replace them when they wear down to the limit mark. Keep the carbon brushes clean and free to slip in the holders. Both carbon brushes should be replaced at the same time. Use only identical carbon brushes.

1. Use a screwdriver to remove the brush holder caps.
2. Take out the worn carbon brushes, insert the new ones and secure the brush holder caps.

► **Fig.19:** 1. Brush holder cap

## OPTIONAL ACCESSORIES

**CAUTION:** These accessories or attachments are recommended for use with your Makita tool specified in this manual. The use of any other accessories or attachments might present a risk of injury to persons. Only use accessory or attachment for its stated purpose.

If you need any assistance for more details regarding these accessories, ask your local Makita Service Center.

**NOTE:** Some items in the list may be included in the tool package as standard accessories. They may differ from country to country.

## Trimmer bits

### Straight bit

► **Fig.20**

D	A	L1	L2
6	20	50	15
1/4"			
6	8	50	18
1/4"			
6	6	50	18
1/4"			

Unit:mm

### U-grooving bit

► **Fig.21**

D	A	L1	L2	R
6	6	60	28	3
1/4"				

Unit:mm

### V-grooving bit

► **Fig.22**

D	A	L1	L2	θ
1/4"	20	50	15	90°

Unit:mm

### Drill point flush trimming bit

► **Fig.23**

D	A	L1	L2	L3
6	6	60	18	28
1/4"				

Unit:mm

### Drill point double flush trimming bit

► **Fig.24**

D	A	L1	L2	L3	L4
6	6	70	40	12	14
1/4"					

Unit:mm

### Corner rounding bit

► **Fig.25**

D	A1	A2	L1	L2	L3	R
6	25	9	48	13	5	8
1/4"						
6	20	8	45	10	4	4
1/4"						

Unit:mm

**Chamfering bit****► Fig.26**

D	A	L1	L2	L3	θ
6	23	46	11	6	30°
6	20	50	13	5	45°
6	20	49	14	2	60°

Unit:mm

**Cove beading bit****► Fig.27**

D	A	L1	L2	R
6	20	43	8	4
6	25	48	13	8

Unit:mm

**Ball bearing flush trimming bit****► Fig.28**

D	A	L1	L2
6	10	50	20
1/4"			

Unit:mm

**Ball bearing corner rounding bit****► Fig.29**

D	A1	A2	L1	L2	L3	R
6	15	8	37	7	3.5	3
6	21	8	40	10	3.5	6
1/4"	21	8	40	10	3.5	6

Unit:mm

**Ball bearing chamfering bit****► Fig.30**

D	A1	A2	L1	L2	θ
6	26	8	42	12	45°
1/4"					
6	20	8	41	11	60°

Unit:mm

**Ball bearing beading bit****► Fig.31**

D	A1	A2	A3	L1	L2	L3	R
6	20	12	8	40	10	5.5	4
6	26	12	8	42	12	4.5	7

Unit:mm

**Ball bearing cove beading bit****► Fig.32**

D	A1	A2	A3	A4	L1	L2	L3	R
6	20	18	12	8	40	10	5.5	3
6	26	22	12	8	42	12	5	5

Unit:mm

**Ball bearing roman ogee bit****► Fig.33**

D	A1	A2	L1	L2	L3	R1	R2
6	20	8	40	10	4.5	2.5	4.5
6	26	8	42	12	4.5	3	6

Unit:mm

## TEHNIČNI PODATKI

Model:	3711
Razpon vpenjalne glave	6,35 mm (1/4 palca) ali 6,0 mm
Hitrost brez obremenitve	32.000 min <sup>-1</sup>
Skupna višina	211 mm
Neto teža	1,5 kg
Razred zaščite	□/II

- Ker nenehno opravljamo raziskave in razvijamo svoje izdelke, se lahko tehnični podatki v tem dokumentu spremenijo brez obvestila.
- Tehnični podatki se lahko razlikujejo od države do države.
- Teža v skladu s postopkom EPTA 01/2014

### Predvidena uporaba

Orodje je namenjeno za prerezovanje robov laminiranih plošč ali podobnih materialov.

### Priključitev na električno omrežje

Napetost električnega omrežja se mora ujemati s podatki na tipski ploščici. Stroj deluje samo z enofazno izmenično napetostjo. Stroj je po evropskih smernicah dvojno zaščitno izoliran, zato se ga lahko priključi tudi v vtičnice brez ozemljitvenega voda.

### Hrup

Običajna A-ovrednotena raven hrupa v skladu z 62841-2-17:

Raven zvočnega tlaka ( $L_{pA}$ ): 83 dB (A)

Raven zvočne moči ( $L_{WA}$ ): 94 dB (A)

Odstopanje (K): 3 dB (A)

**OPOMBA:** Navedene vrednosti oddajanja hrupa so bile izmerjene v skladu s standardnimi metodami testiranja in se lahko uporabljajo za primerjavo orodij.

**OPOMBA:** Navedene vrednosti oddajanja hrupa se lahko uporabljajo tudi pri predhodni oceni izpostavljenosti.

**⚠ OPOZORILO:** Uporabljajte zaščito za sluh.

**⚠ OPOZORILO:** Oddajanje hrupa med dejansko uporabo električnega orodja se lahko razlikuje od navedenih vrednosti, odvisno od načina uporabe orodja in predvsem vrste obdelovanca.

**⚠ OPOZORILO:** Upravljevec mora za lastno zaščito poznati varnostne ukrepe, ki temeljijo na oceni izpostavljenosti v dejanskih pogojih uporabe (poleg časa proženja je treba upoštevati celoten delovni cikel, vključno s časom, ko je orodje izklopljeno, in časom, ko deluje v prostem teku).

### Vibracije

Skupne vrednosti vibracij (vektorska vsota treh osi) v skladu z 62841-2-17:

Delovni način: vrtenje brez obremenitve

Emisije vibracij ( $a_{h1}$ ): 2,5 m/s<sup>2</sup> ali manj

Odstopanje (K): 1,5 m/s<sup>2</sup>

**OPOMBA:** Navedene skupne vrednosti oddajanja vibracij so bile izmerjene v skladu s standardnimi metodami testiranja in se lahko uporabljajo za primerjavo orodij.

**OPOMBA:** Navedene skupne vrednosti oddajanja vibracij se lahko uporabljajo tudi pri predhodni oceni izpostavljenosti.

**⚠ OPOZORILO:** Oddajanje vibracij med dejansko uporabo električnega orodja se lahko razlikuje od navedenih vrednosti, odvisno od načina uporabe orodja in predvsem vrste obdelovanca.

**⚠ OPOZORILO:** Upravljevec mora za lastno zaščito poznati varnostne ukrepe, ki temeljijo na oceni izpostavljenosti v dejanskih pogojih uporabe (poleg časa proženja je treba upoštevati celoten delovni cikel, vključno s časom, ko je orodje izklopljeno, in časom, ko deluje v prostem teku).

### Izjava o skladnosti ES

*Samo za evropske države*

Izjava ES o skladnosti je vključena v dodatku A, ki je priložen tem navodilom za uporabo.

## VARNOSTNA OPOZORILA

### Splošna varnostna opozorila za električno orodje

**⚠ OPOZORILO:** Preberite vsa varnostna opozorila in navodila s slikami in tehničnimi podatki, ki so dobavljeni skupaj z električnim orodjem. Ob neupoštevanju spodaj navedenih navodil obstaja nevarnost električnega udara, požara in/ali hudih telesnih poškodb.

## Shranite vsa opozorila in navodila za poznejšo uporabo.

Izraz „električno orodje“ v opozorilih se nanaša na vaše električno orodje (s kablom) ali baterijsko električno orodje (brez kabla).

### Varnostna opozorila za rezkalnik

1. **Držite električno orodje na izoliranih držalnih površinah, saj lahko pride rezalnik v stik z lastnim kablom.** Ob stiku z vodniki pod napetostjo dobijo napetost vsi neizolirani kovinski deli električnega orodja, zaradi česar lahko uporabnik utрпи električni udar.
2. **Uporabljajte sponke ali druge praktične načine za pritrditve in podporo obdelovanca na stabilno podlago.** Če držite obdelovanca z roko ali ga naslanjate na telo, je nestabilen in lahko povzroči izgubo nadzora.
3. **Nastavek rezkalnika se mora prilegati zasnovani vpenjalni glavi.**
4. **Uporabljajte le nastavek rezkalnika, ki je ocenjen za vsaj enako največjo hitrost, ki je označena na orodju.**
5. **Med daljšo uporabo uporabljajte zaščito za sluh.**
6. **Z nastavki rezkalnika ravnajte zelo previdno.**
7. **Pred uporabo skrbno preverite nastavek rezkalnika glede obrabe, razpok ali poškodb.** Takoj zamenjajte počen ali poškodovan nastavek.
8. **Izogibajte se rezanju žebeljev.** Pred delom poiščite in odstranite vse želblje iz obdelovanca.
9. **Trdno držite orodje.**
10. **Ne približujte rok vrtečim se delom.**
11. **Preden vklopite stikalo, se prepričajte, da se nastavek rezkalnika ne dotika obdelovanca.**
12. **Pred začetkom dela na obdelovancu pustite orodje delovati nekaj časa v prostem teku.** Bodite pozorni na vibracije ali razrahljanost, ki lahko kaže na nepravilno nameščen nastavek.
13. **Bodite pozorni na smer vrtenja nastavka rezkalnika in smer pomika.**
14. **Orodja ne pustite delovati brez nadzora.** Dovoljeno ga je uporabljati samo ročno.
15. **Orodje vedno izklopite in počakajte, da se nastavek rezkalnika popolnoma ustavi, preden ga odstranite iz obdelovanca.**
16. **Takoj po končani obdelavi se ne dotikajte nastavka rezkalnika; ta je lahko zelo vroč in lahko povzroči opekline kože.**
17. **Drsnika ne mažite brezbržno z razredčilom, bencinom, oljem ali podobnimi sredstvi.** To lahko povzroči razpoke v drsniku.
18. **Nekateri materiali vsebujejo kemikalije, ki so lahko strupene.** Bodite previdni ter preprečite vdihavanje prahu in stik s kožo. Upoštevajte varnostne podatke dobavitelja materiala.
19. **Vedno uporabljajte ustrezno protiprašno masko/respirator za načrtovani material in uporabo.**
20. **Orodje položite na stabilno mesto.** V nasprotnem primeru lahko orodje pade in povzroči poškodbe.

## SHRANITE TA NAVODILA.

**⚠ OPOZORILO:** NE dovolite, da bi zaradi udobnejšega dela ali znanja o uporabi izdelka (pridobljenega z večkratno uporabo) opustili strogo upoštevanje varnostnih zahtev v okviru pravilne uporabe orodja. ZLORABA ali neupoštevanje varnostnih zahtev v teh navodilih za uporabo lahko povzroči resne telesne poškodbe.

## OPIS DELOVANJA

**⚠ POZOR:** Pred vsako nastavitvijo ali pregledom nastavitvev orodja se prepričajte, da je orodje izklopljeno in izključeno z električnega omrežja.

### Prilagoditev izbočenega dela nastavka

Za prilagoditev izbočenega dela nastavka odvijte vpenjalni vijak in po želji premaknite drsnik gor ali dol, tako da zavrtite prilagoditveni vijak. Po prilagoditvi trdno privijte vpenjalni vijak, da pritrдите drsnik.

- **SI.1:** 1. Drsnik 2. Merilo 3. Izbočeni del nastavka 4. Vpenjalni vijak 5. Prilagoditveni vijak

### Delovanje stikala

**⚠ POZOR:** Preden priključite orodje, se vedno prepričajte, da je orodje izklopljeno.

Za zagon orodja premaknite preklopno ročico v položaj „I“. Za ustavitev orodja premaknite preklopno ročico v položaj „O“.

- **SI.2:** 1. Preklopna ročica

### Elektronska funkcija

Orodje je opremljeno z elektronskimi funkcijami za enostavno delovanje.

### Kontrolna lučka

- **SI.3:** 1. Kontrolna lučka

Zelena kontrolna lučka se vklopi, ko orodje priključite na električno omrežje. Če se kontrolna lučka ne vklopi, sta lahko okvarjena napajalni kabel ali elektronsko vezje. Če kontrolna lučka sveti in je stikalo v položaju za vklop, vendar se orodje ne zažene, sta karbonski krtački izrabljeni ali pa je prišlo do okvare motorja oziroma vklopno-izklopnega stikala.

### Zaščita pred nenamernim vklopom

Orodje se ne vklopi s preklopno ročico v položaju „I“, tudi ko je orodje priključeno na električno omrežje. V takšnem primeru kontrolna lučka utripa rdeče in sporoča, da se je zagnala funkcija za zaščito pred nenamernim vklopom.

Za izklop funkcije za zaščito pred nenamernim vklopom vrnite preklopno ročico v položaj „O“.

### Funkcija mehkega zagona

Funkcija mehkega zagona zmanjša sunek ob zagonu in omogoči gladek zagon orodja.

## MONTAŽA

**⚠️ POZOR:** Pred vsakim posegom v orodje se prepričajte, da je orodje izklopljeno in izključeno z električnega omrežja.

### Namestititev ali odstranitev nastavka rezkalnika

**⚠️ POZOR:** Ne zategnite vpenjalne matice brez vstavljenega nastavka rezkalnika, sicer se bo vpenjalni stožec zlomil.

**⚠️ POZOR:** Uporabljajte le ključe, ki so priloženi orodju.

Vstavite nastavek rezkalnika do konca v vpenjalni stožec in zategnite vpenjalno matico z dvema ključema. Za odstranjevanje nastavka izvedite postopek namestitve v obratnem vrstnem redu.

► **SI.4:** 1. Popustite 2. Zategnite 3. Držite

## UPRAVLJANJE

**⚠️ POZOR:** Orodje vedno trdno držite z eno roko na ohišju. Ne dotikajte se kovinskega dela.

1. Postavite drsnik na obdelovanec tako, da se nastavek rezkalnika ne dotika obdelovanca.
2. Vključite orodje in počakajte, da nastavek rezkalnika doseže polno število vrtljajev.
3. Orodje premaknite naprej po površini obdelovanca, pri tem pa mora drsnik plosko nalegati, dokler rez ni dokončan.

► **SI.5**

Robove posnemajte tako, da se površina obdelovanca, gledano v smeri pomika, nahaja levo od nastavka rezkalnika.

► **SI.6:** 1. Obdelovanec 2. Smer vrtenja nastavka 3. Pogled orodja od zgoraj 4. Smer pomika

Če delate z vzporednim prislonom ali vodilom za prirezovanje, ga namestite na desno stran, gledano v smeri pomika. S tem je zagotovljen tesen stik med pripomočkom in stranskim robom obdelovanca.

► **SI.7:** 1. Smer pomika 2. Smer vrtenja nastavka 3. Obdelovanec 4. Vzporedni prislon

**OPOMBA:** Prehitro potiskanje orodja lahko poslabša natančnost reza ali povzroči poškodbo nastavka rezkalnika ali okvaro motorja. Če stroj potiskate prepočasno, lahko rez povzroči nastanek ožganih mest ali poškodb v obdelovancu. Ustrezna hitrost pomika je odvisna od velikosti nastavka, materiala obdelovanca in globine reza. Pred začetkom rezkanja je priporočljivo narediti poskusni rez na vzorčnem, odpadnem kosu materiala, ki ga obdelujete. Na ta način je najlažje oceniti učinek rezkanja in preveriti mere obdelave.

## Vodilo za šablone

Vodilo za šablone je opremljeno z vencem, skozi katerega prehaja nastavek, kar omogoča uporabo rezalnika s šablonskimi vzorci.

► **SI.8**

1. Odvijte vpenjalni vijak ter odstranite držalo vodila in odbijalnik odrezkov.

► **SI.9:** 1. Vpenjalni vijak 2. Držalo vodila 3. Odbijalnik odrezkov

2. Odvijte vijake in odstranite ščitnik drsnika.

► **SI.10:** 1. Ščitnik drsnika 2. Vijaki

3. Namestite vodilo za šablone na drsnik in znova namestite drsnik. Nato pritrdite ščitnik drsnika tako, da zategnete vijake.

4. Pritrdite šablono na obdelovanca. Položite orodje na šablono in ga pomikajte tako, da vodilo za šablono drsi vzdolž bočne strani šablone.

► **SI.11:** 1. Nastavek rezkalnika 2. Drsnik 3. Ščitnik drsnika 4. Šablona 5. Obdelovanec 6. Vodilo za šablono

**OPOMBA:** Rez v obdelovancu nekoliko odstopa od velikosti šablone. Upoštevajte odmik (X) med nastavkom rezkalnika in zunanostjo vodila za šablono. Odmik (X) se izračuna po spodnji enačbi:

**odmik (X) = (zunanji premer vodila za šablono – premer nastavka rezkalnika)/2**

## Vzporedni prislon

Ravno vodilo je učinkovit pripomoček za posnemanje robov.

► **SI.12**

1. Priključite vodilno ploščo na vzporedni prislon z vijakom in krilno matico.

► **SI.13:** 1. Vijak 2. Vodilna plošča 3. Vzporedni prislon 4. Krilna matica

2. Odstranite držalo vodila in odbijalnik odrezkov, nato pa pritrdite vzporedni prislon z vpenjalnim vijakom.

► **SI.14:** 1. Vpenjalni vijak 2. Vzporedni prislon 3. Krilna matica 4. Drsnik

3. Odvijte krilno matico na vzporednem prislonu in prilagodite razdaljo med nastavkom rezkalnika in vzporednim prislonom. Pri zeleni razdalji trdno zategnite krilno matico.

4. Med rezanjem premikajte orodje z vzporednim prislonom poravnano s stranico obdelovanca.

## Vodilo za prirezovanje

Prirezovanje, ukrivljeni rezi v furnir pohištva in podobno so z vodilom za prirezovanje enostavno izvedljivi. Koleček vodila sledi krivulji in zagotavlja natančen rez.

► **SI.15**

1. Odbijalnik odrezkov pritrdite v utor osnovne plošče.

2. Z vpenjalnim vijakom (A) namestite vodilo za prirezovanje in držalo vodila na drsnik.

3. Odvijte vpenjalni vijak (B) in prilagodite razdaljo med nastavkom rezkalnika in vodilom za prirezovanje, tako da zavrtite prilagoditveni vijak (1 mm na obrat). Ko je želeni razmik nastavljen, zategnite vpenjalni vijak (B), da pritrdite vodilo za prirezovanje.

► **SI.16:** 1. Prilagoditveni vijak 2. Držalo vodila 3. Vodilo za prirezovanje 4. Odbijalnik odrezkov

4. Med rezanjem premikajte orodje s koleščkom vodila poravnano s stranico obdelovanca.

► **SI.17:** 1. Obdelovanec 2. Nastavek rezkalnika 3. Kolešček vodila

## VZDRŽEVANJE

**▲ POZOR:** Preden se lotite pregledovanja ali vzdrževanja orodja, se vedno prepričajte, da je orodje izklopljeno in vtič izvlečen iz vtičnice.

**OBVESTILO:** Nikoli ne uporabljajte bencina, razredčila, alkohola ali podobnega sredstva. V tem primeru se lahko orodje razbarva ali deformira oziroma lahko nastanejo razpoke.

VARNO in ZANESLJIVO delovanje tega izdelka bo zagotovljeno le, če boste popravila, vzdrževanje in nastavitve prepustili pooblaščenemu servisu za orodja Makita ali tovarniškemu osebju, ki vgrajuje izključno originalne nadomestne dele.

## Menjava karbonskih krtačk

► **SI.18:** 1. Mejna označba

Karbonski krtački preverjajte redno.

Ko sta obrabljeni do mejne označbe, ju zamenjajte. Karbonski krtački morata biti čisti, da lahko neovirano zdrsneti v držali. Zamenjajte obe karbonski krtački naenkrat. Uporabljajte le enaki karbonski krtački.

1. Z izvijačem odstranite pokrova držal krtačk.
2. Izvlecite izrabljeni karbonski krtački, namestite novi in privijte oba pokrova držal krtačk.

► **SI.19:** 1. Pokrov držala krtačk

## DODATNA OPREMA

**▲ POZOR:** Ta dodatni pribor ali pripomočki so predvideni za uporabo z orodjem Makita, ki je opisano v teh navodilih za uporabo. Pri uporabi drugega pribora ali pripomočkov obstaja nevarnost telesnih poškodb. Dodatni pribor ali pripomočke uporabljajte samo za navedeni namen.

Za več informacij o dodatni opremi se obrnite na najbližji pooblaščen servis za orodja Makita.

**OPOMBA:** Nekateri predmeti na seznamu so lahko priloženi orodju kot standardna dodatna oprema. Lahko se razlikujejo od države do države.

## Nastavki rezkalnika

**Ploski nastavek**

► **SI.20**

D	A	L1	L2
6	20	50	15
1/4 palca			
6	8	50	18
1/4 palca			
6	6	50	18
1/4 palca			

Enota: mm

**Nastavek za oblikovanje „U“ utorov**

► **SI.21**

D	A	L1	L2	R
6	6	60	28	3
1/4 palca				

Enota: mm

**Nastavek za oblikovanje „V“ utorov**

► **SI.22**

D	A	L1	L2	θ
1/4 palca	20	50	15	90°

Enota: mm

**Nastavek za poravnano prirezovanje v točki vrtnja**

► **SI.23**

D	A	L1	L2	L3
6	6	60	18	28
1/4 palca				

Enota: mm

**Nastavek za dvojno poravnano prirezovanje v točki vrtnja**

► **SI.24**

D	A	L1	L2	L3	L4
6	6	70	40	12	14
1/4 palca					

Enota: mm

**Nastavek za zaobljanje kotov****► SI.25**

D	A1	A2	L1	L2	L3	R
6	25	9	48	13	5	8
1/4 palca						
6	20	8	45	10	4	4
1/4 palca						

Enota: mm

**Nastavek za posnemanje robov****► SI.26**

D	A	L1	L2	L3	θ
6	23	46	11	6	30°
6	20	50	13	5	45°
6	20	49	14	2	60°

Enota: mm

**Nastavek za izrezovanje vdolbin****► SI.27**

D	A	L1	L2	R
6	20	43	8	4
6	25	48	13	8

Enota: mm

**Nastavek s krogličnim ležajem za poravnano  
prirežovanje****► SI.28**

D	A	L1	L2
6	10	50	20
1/4 palca			

Enota: mm

**Nastavek s krogličnim ležajem za zaobljanje kotov****► SI.29**

D	A1	A2	L1	L2	L3	R
6	15	8	37	7	3,5	3
6	21	8	40	10	3,5	6
1/4 palca	21	8	40	10	3,5	6

Enota: mm

**Nastavek s krogličnim ležajem za posnemanje  
robov****► SI.30**

D	A1	A2	L1	L2	θ
6	26	8	42	12	45°
1/4 palca					
6	20	8	41	11	60°

Enota: mm

**Nastavek s krogličnim ležajem za izrezovanje****► SI.31**

D	A1	A2	A3	L1	L2	L3	R
6	20	12	8	40	10	5,5	4
6	26	12	8	42	12	4,5	7

Enota: mm

**Nastavek s krogličnim ležajem za izrezovanje  
vdolbin****► SI.32**

D	A1	A2	A3	A4	L1	L2	L3	R
6	20	18	12	8	40	10	5,5	3
6	26	22	12	8	42	12	5	5

Enota: mm

**Nastavek s krogličnim ležajem za valovite oblike v  
rimskem slogu****► SI.33**

D	A1	A2	L1	L2	L3	R1	R2
6	20	8	40	10	4,5	2,5	4,5
6	26	8	42	12	4,5	3	6

Enota: mm



## SPECIFIKIMET

Modeli:	3711
Kapaciteti i mandrinës pincetë dhe mbajtëses	6,35 mm (1/4") ose 6,0 mm
Shpejtësia pa ngarkesë	32 000 min <sup>-1</sup>
Lartësia e përgjithshme	211 mm
Pesha neto	1,5 kg
Kategoria e sigurisë	II/III

- Për shkak të programit tonë të vazhdueshëm të kërkim-zhvillimit, specifikimet që jepen këtu mund të ndryshojnë pa dhënë njoftim.
- Specifikimet mund të ndryshojnë nga njëri shtet në tjetrin.
- Pesha sipas Procedurës EPTA 01/2014

### Përdorimi i synuar

Vegla është prodhuar për prerjen e konturit të fletëve të laminuara ose materialeve të ngjashme.

### Furnizimi me energji

Vegla duhet të lidhet vetëm me një furnizim me energji me të njëjtin tension të treguar në pllakëzën metalike udhëzuese dhe mund të funksionojë vetëm me rrymë alternative njëfazore. Ata kanë izolim të dyfishtë dhe mund të përdorin prizë pa tokëzim.

### Zhurma

Niveli tipik i zhurmës A, i matur sipas 62841-2-17:  
Niveli i presionit të zhurmës (L<sub>PA</sub>): 83 dB (A)  
Niveli i fuqisë së zhurmës (L<sub>WA</sub>): 94 dB (A)  
Pasiguria (K): 3 dB (A)

**SHËNIM:** Vlerat e deklaruar totale të emetimeve të zhurmës janë matur sipas një metode standarde testimi dhe mund të përdoren për të krahasuar një vegël me një tjetër.

**SHËNIM:** Vlerat e deklaruar të emetimeve të zhurmës mund të përdoren për një vlerësim paraprak të ekspozimit.

**▲ PARALAJMËRIM:** Mbani mbrojtëse për veshët.

**▲ PARALAJMËRIM:** Emetimet e zhurmës gjatë përdorimit aktual të veglës elektrike mund të ndryshojnë nga vlerat e deklaruar në varësi të mënyrave sesi përdoret vegla, veçanërisht nga lloji i materialit të punës që përdoret.

**▲ PARALAJMËRIM:** Vërtetoni që masat e sigurisë për mbrojtjen e përdoruesit bazohen në vlerësimin e ekspozimit ndaj kushteve aktuale të përdorimit (duke marrë parasysh të gjitha pjesët e ciklit të funksionimit si ato kur pajisja është e fikur dhe punon pa prerë ashtu edhe kohën e përdorimit).

### Dridhja

Vlera totale e dridhjeve (shuma e vektorit me tre akse) përcaktohet sipas 62841-2-17:  
Regjimi i punës: rrotullim pa ngarkesë  
Emetimi i dridhjeve (a<sub>h</sub>): 2,5 m/s<sup>2</sup> ose më pak  
Pasiguria (K): 1,5 m/s<sup>2</sup>

**SHËNIM:** Vlerat e deklaruar totale të dridhjeve janë matur sipas një metode standarde testimi dhe mund të përdoren për të krahasuar një vegël me një tjetër.

**SHËNIM:** Vlerat e deklaruar totale të dridhjeve mund të përdoren për një vlerësim paraprak të ekspozimit.

**▲ PARALAJMËRIM:** Emetimet e dridhjeve gjatë përdorimit aktual të veglës elektrike mund të ndryshojnë nga vlerat e deklaruar në varësi të mënyrave sesi përdoret vegla, veçanërisht nga lloji i materialit të punës që përdoret.

**▲ PARALAJMËRIM:** Vërtetoni që masat e sigurisë për mbrojtjen e përdoruesit bazohen në vlerësimin e ekspozimit ndaj kushteve aktuale të përdorimit (duke marrë parasysh të gjitha pjesët e ciklit të funksionimit si ato kur pajisja është e fikur dhe punon pa prerë ashtu edhe kohën e përdorimit).

### Deklarata e konformitetit me KE-në

*Vetëm për shtetet evropiane*

Deklarata e konformitetit me KE-në përfshihet si Shtojca A në këtë manual përdorimi.

## PARALAJMËRIME SIGURIE

### Paralajmërimet e përgjithshme për sigurinë e veglës

**▲ PARALAJMËRIM:** Lexoni të gjitha paralajmërimet për sigurinë, udhëzimet, ilustrimet dhe specifikimet e dhëna me këtë vegël elektrike. Mosndjekja e të gjitha udhëzimeve të renditura më poshtë mund të shkaktojë goditje elektrike, zjarr dhe/ose lëndim të rëndë.

# Ruajini të gjitha paralajmërimet dhe udhëzimet për të ardhmen.

Termi "vegël elektrike" në paralajmërimet referohet veglës elektrike që përdoret e lidhur në prizë (me kordon) ose veglës së përdorur me bateri (pa kordon).

## Paralajmërimet sigurie për makinën buzëprerëse

1. Mbajeni veglën elektrike të sipërfaqet kapëse të izoluar të kapjes sepse prerësi mund të prekë kordonin e tij. Prerja e një teli me rrymë mund të elektrizojë pjesët metalike të ekspozuara të veglës elektrike dhe mund t'i japë punëtorit goditje elektrike.
2. Përdorni morseta ose ndonjë mënyrë tjetër praktike për ta siguruar dhe për ta mbështetur materialin e punës në një platformë të qëndrueshme. Mbajta e materialit me dorë ose përkundrejt trupit tuaj e lë atë të paqëndrueshëm dhe mund të shkaktojë humbje të kontrollit.
3. Boshti i puntos së makinës buzëprerëse duhet të përputhet me mandrinën pincetë të projektuar.
4. Përdorni vetëm një punto makine buzëprerëse që ka vlerësim të paktën sa shpejtësia maksimale në vegël.
5. Mbani mbrojtëse për dëgjimin gjatë periudhave të tejzgjatura të përdorimit.
6. Mbajini puntot e makinës buzëprerëse me shumë kujdes.
7. Kontrolloni puntën e makinës buzëprerëse me kujdes për krisje ose dëmtim përpara përdorimit. Zëvendësoni menjëherë puntën e krisur ose të dëmtuar.
8. Shmangni prerjen e gozhdëve. Kontrolloni për gozhdë dhe hiqini të gjitha nga materiali i punës përpara përdorimit.
9. Mbajeni veglën fort.
10. Mbajini duart larg pjesëve rrotulluese.
11. Sigurohuni që puntotja e makinës buzëprerëse të mos e prekë materialin e punës përpara se të ndizet çelësi.
12. Përpara se të përdorni veglën mbi një material aktual, lëreni të punojë për ca kohë. Bëni kujdes nga dridhjet ose lëkundjet që mund të tregojnë se puntotja nuk është vendosur siç duhet.
13. Bëni kujdes nga drejtimi i rrotullimit të puntos së makinës buzëprerëse dhe nga drejtimi i shtyrjes.
14. Mos e lini veglën të ndezur. Përdoreni veglën vetëm duke e mbajtur në dorë.
15. Gjithmonë fikeni veglën dhe prisni që puntotja e makinës buzëprerëse të ndalojë plotësisht përpara se ta hiqni veglën nga materiali i punës.
16. Mos e prekni puntën e makinës buzëprerëse menjëherë pas punës; mund të jetë shumë e nxehtë dhe mund t'ju djegë lëkurën.
17. Mos e lyeni me pakujdesi bazën me hollues, benzinë, vaj ose të tjera si këto. Ato mund të shkaktojnë krisje të bazës.
18. Disa materiale përmbajnë kimikate që mund të jenë toksike. Kini kujdes që të parandaloni thithjen e pluhurave dhe kontaktin me lëkurën. Ndriqni të dhënat e sigurisë nga furnizuesi i materialit.

19. Përdorni gjithmonë maskën kundër pluhurit/respiratorin e duhur për materialin dhe për aplikacionin me të cilët po punoni.
20. Vendoseni veglën në zonë të qëndrueshme. Përdryshe mund të ndodhë aksidenti nga rrëzimi dhe të shkaktojë lëndime.

## RUAJINI KËTO UDHËZIME.

**▲ PARALAJMËRIM:** MOS lejoni që njohja ose familjarizimi me produktin (të fituara nga përdorimi i shpeshhtë) të zëvendësojnë zbatimin me përpikëri të rregullave të sigurisë për produktin në fjalë. KEQPËRDORIMI ose mosndjekja e rregullave të sigurisë të dhëna në këtë manual përdorimi mund të shkaktojë dëmtime të rënda personale.

## PËRSHKRIMI I PUNËS

**▲ KUJDES:** Sigurohuni gjithmonë që vegla është fikur dhe hequr nga korrenti përpara se ta rregulloni apo t'i kontrolloni funksionet.

## Rregullimi i pjesës së dalë të puntos së makinës buzëprerëse

Për të rregulluar pjesën e dalë të puntos lironi vidën shtrënguese dhe lëvizni bazën lart ose poshtë sipas dëshirës duke rrotulluar vidën rregulluese. Pasi ta keni rregulluar, shtrëngoni fort vidën shtrënguese për të siguruar bazën.

► Fig.1: 1. Baza 2. Shkalla 3. Dalja e puntos 4. Vida e mbërthimit 5. Vida rregulluese

## Veprimi i ndërrimit

**▲ KUJDES:** Përpara se të lidhni veglën me korrentin, sigurohuni gjithmonë që vegla të jetë fikur.

Për ta ndezur veglën, lëvizeni levën e çelësit drejt pozicionit I. Për ta ndaluar veglën, lëvizni levën e çelësit drejt pozicionit O.

► Fig.2: 1. Leva e çelësit

## Funksioni elektronik

Vegla është e pajisur me funksione elektronike për përdorim të lehtë.

## Llamba e treguesit

► Fig.3: 1. Llamba e treguesit

Llamba e treguesit ndizet me ngjyrë të gjelbër kur pajisja vihet në prizë. Nëse llamba e treguesit nuk ndizet, kabloja kryesore ose kontrolluesi mund të ketë defekt. Kur llamba e treguesit është ndezur, por vetë pajisja nuk niset edhe pse ajo është ndezur, karbonçinatin mund të jenë konsumuar ose kontrolluesi, motori ose çelësi i ndezjes/fikjes mund të ketë defekt.

## Mbrojtja ndaj rindezjes aksidentale

Vegla nuk ndizet kur leva e çelësit është në pozicionin I, edhe kur vegla është në prizë.

Në këtë moment, llamba e treguesit pulson në ngjyrë të kuqe dhe tregon se pajisja mbrojtëse ndaj rindezjes aksidentale është aktivizuar.

Për ta anuluar mbrojtjen ndaj rindezjes aksidentale, ktheni levën e çelësit drejt pozicionit O.

## Tipari i ndezjes së ngadaltë

Karakteristika e nisjes së butë minimizon tronditjen e nisjes dhe bën që vegla të niset pa probleme.

## MONTIMI

**▲KUJDES:** Jini gjithnjë të sigurt që vegla është fikur dhe hequr nga korrenti përpara se të bëni ndonjë punë mbi të.

## Instalimi ose heqja e puntos së makinës buzëprerëse

**▲KUJDES:** Mos e shtrëngoni dadon e mandrinos pa futur puntont e makinës buzëprerëse përndryshe koni i mandrinos do të thyhet.

**▲KUJDES:** Gjithmonë përdorni çelësat që ofrohen bashkë me veglën.

Futni puntont e makinës buzëprerëse deri në fund në mandrino dhe shtrëngojni fort dadon e mandrinos me dy çelësa. Për ta hequr puntont, ndiqni procedurën e anasjellë të instalimit.

► **Fig.4:** 1. Lirimi 2. Shtrëngimi 3. Mbjajtja

## PËRDORIMI

**▲KUJDES:** Gjithmonë mbajeni fort veglën me njërin dorë në trupin e saj. Mos e prekni pjesën metalike.

1. Vendoseni bazën mbi materialin që do të pritet pa bërë asnjë kontakt me puntont e makinës buzëprerëse.
2. Ndizni veglën dhe prisni derisa puntoja e makinës buzëprerëse të marrë shpejtësinë e plotë.
3. Lëvizeni veglën përpara mbi sipërfaqen e materialit, duke e mbajtur bazën rrafsh dhe duke përparuar lehtë derisa të përfundoni prerjen.  
► **Fig.5**

Kur bëni prerjen e skajeve sipërfaqja e materialit të punës duhet të jetë në të majtë të puntos së makinës buzëprerëse në drejtim të furnizimit.

► **Fig.6:** 1. Materiali i punës 2. Drejtimi i rotullimit të puntos 3. Pamje nga lart e veglës 4. Drejtimi i furnizimit

Kur përdorni udhëzuesin e drejtë ose udhëzuesin e makinës buzëprerëse, sigurohuni që ta mbani në të djathtë të drejtimit të furnizimit. Kjo do të ndihmojë ta mbajë ngjitur me anën e materialit të punës.

► **Fig.7:** 1. Drejtimi i furnizimit 2. Drejtimi i rotullimit të puntos 3. Materiali i punës 4. Udhëzuesi i drejtë

**SHËNIM:** Lëvizja e veglës përpara me shpejtësi mund të shkaktojë prerje me cilësi të dobët ose dëmtim të puntos së makinës buzëprerëse ose motorit. Lëvizja e veglës përpara me ngadalë mund të dëgjë ose dëmtojë prerjen. Niveli i duhur i furnizimit do të varet nga përmasat e puntos, lloji i materialit të punës dhe thellësia e prerjes. Përpara se të nisni prerjen në materialin e punës, është e këshillueshme që të bëni një prerje për provë në materialin druri që keni për të hedhur. Kjo do të tregojë me saktësi si do të duket prerja dhe do t'ju mundësojë të kontrolloni dimensionet.

## Udhëzuesi i pllakës mbështetëse

Udhëzuesi i pllakës mbështetëse siguron një bokull në të cilën kalon puntoja e makinës buzëprerëse, duke lejuar përdorimin e makinës buzëprerëse me modelet e pllakës mbështetëse.

► **Fig.8**

1. Lironi vidën shtrënguese dhe më pas hiqni mbajtësin e udhëzuesit dhe deflektorin e ashklave.

► **Fig.9:** 1. Vida e mbërthimit 2. Mbjajtësja e udhëzuesit 3. Deflektori i ashklave

2. Lironi vidat dhe hiqni mbrojtësen e bazës.

► **Fig.10:** 1. Mbrojtësja e bazës 2. Vidat

3. Vendosni udhëzuesin e pllakës mbështetëse mbi bazë dhe vendosni përsëri mbrojtësen e bazës. Më pas sigurojeni mbrojtësen e bazës duke shtrënguar vidat.

4. Siguroni pllakën mbështetëse në materialin e punës. Vendoseni veglën në pllakën mbështetëse dhe lëvizeni me anë të udhëzuesit të pllakës mbështetëse duke e rrëshqitur në anë të pllakës mbështetëse.

► **Fig.11:** 1. Puntoja e makinës buzëprerëse 2. Baza 3. Mbrojtësja e bazës 4. Pllakëza mbështetëse 5. Materiali i punës 6. Udhëzuesi i pllakës mbështetëse

**SHËNIM:** Materiali i punës mund të pritet në një përmasë pak më ndryshe nga pllaka mbështetëse. Lejoni distancën (X) ndërmjet puntos së makinës buzëprerëse dhe pjesës së jashtme të udhëzuesit të pllakës mbështetëse. Distanca (X) mund të llogaritet sipas ekuacionit të mëposhtëm:

**Distanca (X) = (diametri i jashtëm i udhëzuesit të pllakës mbështetëse – diametrin e puntos së makinës buzëprerëse) / 2**

## Udhëzuesi i drejtë

Udhëzuesi i drejtë përdoret me efikasitet për prerje të drejta gjatë prerjes me kënd.

► **Fig.12**

1. Instaloni pllakën e udhëzuesit me udhëzuesin e drejtë me anë të një buloni dhe dadoje flutur.

► **Fig.13:** 1. Buloni 2. Pllaka udhëzuese 3. Udhëzuesi i drejtë 4. Dadoja flutur

2. Hiqni mbajtësen e udhëzuesit dhe deflektorin e ashklave më pas vendosni udhëzuesin e drejtë me vidën shtrënguese.

► **Fig.14:** 1. Vida e mbërthimit 2. Udhëzuesi i drejtë 3. Dadoja flutur 4. Baza

3. Lironi dadon flutur mbi udhëzuesin e drejtë dhe rregulloni distancën ndërmjet puntos së makinës buzëprerëse dhe udhëzuesit të drejtë. Kur të arrini distancën e dëshiruar, shtrëngojeni mirë dadon flutur.

4. Gjatë prerjes lëvizieni veglën me udhëzuesin e drejtë të vendosur rrafsh me anën e materialit të punës.

## Udhëzuesi i makinës buzëprerëse

Prerja e buzëve, prerjet e lakuara në rimeso për mobiliet dhe prerje të ngjashme mund të bëhen me lehtësi me udhëzuesin e makinës buzëprerëse. Harku i udhëzuesit përshkon lakoren dhe siguron një prerje të përsosur.

► Fig.15

1. Vendosni deflektorin e ashklave në kanalën e bazës.  
2. Instaloni udhëzuesin e makinës buzëprerëse dhe mbajtësen e udhëzuesit në bazë me vidën shtrënguese (A).

3. Lironi vidën shtrënguese (B) dhe rregulloni distancën ndërmjet puntos së makinës buzëprerëse dhe udhëzuesit të makinës buzëprerëse duke rrotulluar vidën rregulluese (1 mm për rrotullim). Në distancën e dëshiruar shtrëngoni vidën shtrënguese (B) për të siguruar siç duhet udhëzuesin e makinës buzëprerëse.

► Fig.16: 1. Vida rregulluese 2. Mbjajtësja e udhëzuesit 3. Udhëzuesi i makinës buzëprerëse 4. Deflektori i ashklave

4. Gjatë prerjes lëvizieni veglën me harkun e udhëzuesit në anë të materialit të punës.

► Fig.17: 1. Materiali i punës 2. Puntaja e makinës buzëprerëse 3. Harku i udhëzuesit

## MIRËMBAJTJA

**▲KUJDES:** Sigurohuni gjithnjë që vegla të jetë fikur dhe të jetë hequr nga korrenti përpara se të kryeni inspektimin apo mirëmbajtjen.

**VINI RE:** Mos përdorni kurrë benzinë, benzinë pastrimi, hollues, alkoool dhe të ngjashme. Mund të shkaktoni çngjyrosje, deformime ose krisje.

Për të ruajtur SIGURINË dhe QËNDRUESHMËRINË, riparimet dhe çdo mirëmbajtje apo rregullim tjetër duhen kryer nga qendrat e autorizuara të shërbimit ose të shërbimit të fabrikës të Makita-s, duke përdorur gjithnjë pjesë këmbimi të Makita-s.

## Zëvendësimi i karbonçinave

► Fig.18: 1. Shenja e kufizimit

Kontrollojini rregullisht karbonçinat. Zëvendësojini ato kur të konsumohen deri në shenjën e kufizimit. Mbjajni karbonçinat të pastra dhe që të hyjnë lirish në mbajtëset e tyre. Të dyja karbonçinat duhen zëvendësuar në të njëjtën kohë. Përdorni vetëm karbonçina identike.

1. Përdorni kaçavidë për të hequr kapakët e mbajtëseve të furçave.

2. Hiqni karbonçinat e konsumuara, futni të rejtat dhe siguroni kapakët e mbajtëseve të karbonçinave.

► Fig.19: 1. Kapaku i karbonçinës

## AKSESORË OPSIONALË

**▲KUJDES:** Këta aksesorë ose shtojca rekomandohen për përdorim me veglën Makita të përcaktuar në këtë manual. Përdorimi i aksesorëve apo shtojcave të tjera ndryshe nga këto mund të përbëjë rrezik lëndimi. Aksesorët ose shtojcat përdorini vetëm për qëllimin e tyre të përcaktuar.

Nëse keni nevojë për më shumë të dhëna në lidhje me aksesorët, pyesni qendrën vendore të shërbimit të Makita-s.

**SHËNIM:** Disa artikuj të listës mund të përfshihen në paketën e veglës si aksesorë standardë. Ato mund të ndryshojnë nga njëri shtet në tjetrin.

## Puntot e makinës buzëprerëse

Punto e drejtë

► Fig.20

D	A	L1	L2
6	20	50	15
1/4"			
6	8	50	18
1/4"			
6	6	50	18
1/4"			

Njësia: mm

Punto për kanale në formë "U"-je

► Fig.21

D	A	L1	L2	R
6	6	60	28	3
1/4"				

Njësia: mm

Punto për kanale në formë "V"-je

► Fig.22

D	A	L1	L2	θ
1/4"	20	50	15	90°

Njësia: mm

Punto shpimi buzëprerëse

► Fig.23

D	A	L1	L2	L3
6	6	60	18	28
1/4"				

Njësia: mm

**Punto shpimi buzëprerëse dyshe****► Fig.24**

D	A	L1	L2	L3	L4
6	6	70	40	12	14
1/4"					

Njësia: mm

**Punto për rumbullakosjen e cepave****► Fig.25**

D	A1	A2	L1	L2	L3	R
6	25	9	48	13	5	8
1/4"						
6	20	8	45	10	4	4
1/4"						

Njësia: mm

**Punto për kanale****► Fig.26**

D	A	L1	L2	L3	θ
6	23	46	11	6	30°
6	20	50	13	5	45°
6	20	49	14	2	60°

Njësia: mm

**Punto për harkime në formë rruaze****► Fig.27**

D	A	L1	L2	R
6	20	43	8	4
6				
6	25	48	13	8

Njësia: mm

**Punto buzëprerëse me kushinetë me sferë****► Fig.28**

D	A	L1	L2
6	10	50	20
1/4"			

Njësia: mm

**Punto harkuese cepash me kushinetë me sferë****► Fig.29**

D	A1	A2	L1	L2	L3	R
6	15	8	37	7	3,5	3
6	21	8	40	10	3,5	6
1/4"	21	8	40	10	3,5	6

Njësia: mm

**Punto për prerjen e këndeve me kushinetë me sferë****► Fig.30**

D	A1	A2	L1	L2	θ
6	26	8	42	12	45°
1/4"					
6	20	8	41	11	60°

Njësia: mm

**Punto harkuese me kushinete me sferë****► Fig.31**

D	A1	A2	A3	L1	L2	L3	R
6	20	12	8	40	10	5,5	4
6	26	12	8	42	12	4,5	7

Njësia: mm

**Punto harkuese me kënd të brendshëm me kushinetë me sferë****► Fig.32**

D	A1	A2	A3	A4	L1	L2	L3	R
6	20	18	12	8	40	10	5,5	3
6	26	22	12	8	42	12	5	5

Njësia: mm

**Punto në formë S-je me kushinetë me sferë****► Fig.33**

D	A1	A2	L1	L2	L3	R1	R2
6	20	8	40	10	4,5	2,5	4,5
6	26	8	42	12	4,5	3	6

Njësia: mm

## СПЕЦИФИКАЦИИ

Модел:	3711
Капацитет на патронника за пръстени	6,35 мм (1/4") или 6,0 мм
Обороти на празен ход	32 000 мин <sup>-1</sup>
Габаритна височина	211 мм
Нето тегло	1,5 кг
Клас на безопасност	II/III

- Поради нашата непрекъсната научно-развойна дейност посочените тук спецификации могат да бъдат променени без предизвестие.
- Спецификациите може да са различни в различните държави.
- Тегло съгласно метода EPTA 01/2014

## Предназначение

Инструментът е предназначен за изрязване на ръбовете на ламинирани плоскости или подобни материали.

## Захранване

Инструментът трябва да се включва само към захранване със същото напрежение, като посоченото на фирмената табелка и работи само с монофазно променливо напрежение. Той е с двойна изолация и затова може да се включва и в контакти без заземяване.

## Шум

Обичайното ниво на шума с тегловен коефициент А, определено съгласно 62841-2-17:

Ниво на звуково налягане ( $L_{pA}$ ): 83 dB(A)

Ниво на звукова мощност ( $L_{WA}$ ): 94 dB(A)

Коефициент на неопределеност (K): 3 dB(A)

**ЗАБЕЛЕЖКА:** Обявената(ите) стойност(и) на шумовите емисии  $e$ (са) измерена(и) в съответствие със стандартни методи за изпитване и може да се използва(т) за сравняване на инструменти.

**ЗАБЕЛЕЖКА:** Обявеното(ите) стойност(и) на шумови емисии може да се използва(т) също и за предварителна оценка на вредното въздействие.

**▲ ПРЕДУПРЕЖДЕНИЕ:** Използвайте предпазни средства за слуха.

**▲ ПРЕДУПРЕЖДЕНИЕ:** Нивото на шума при работа с електрическия инструмент може да се различава от обявената(ите) стойност(и) в зависимост от начина на използване на инструмента, по-специално какъв детайл се обработва.

**▲ ПРЕДУПРЕЖДЕНИЕ:** Задължително определете предпазни мерки за защита на оператора въз основа на оценка на риска в реални работни условия (като се вземат предвид всички етапи на работния цикъл, като например момента на изключване на инструмента, работата на празен ход, както и времето на задействане).

## Вибрации

Общата стойност на вибрациите (сума от три осови вектора), определена съгласно 62841-2-17:

Работен режим: въртене без натоварване  
Ниво на вибрациите ( $a_h$ ): 2,5 м/с<sup>2</sup> или по-малко  
Коефициент на неопределеност (K): 1,5 м/с<sup>2</sup>

**ЗАБЕЛЕЖКА:** Обявената(ите) обща(и) стойност(и) на вибрациите  $e$ (са) измерена(и) в съответствие със стандартни методи за изпитване и може да се използва(т) за сравняване на инструменти.

**ЗАБЕЛЕЖКА:** Обявената(ите) обща(и) стойност(и) на вибрациите може да се използва(т) също и за предварителна оценка на вредното въздействие.

**▲ ПРЕДУПРЕЖДЕНИЕ:** Нивото на вибрациите при работа с електрическия инструмент може да се различава от обявената(ите) стойност(и) в зависимост от начина на използване на инструмента, по-специално какъв детайл се обработва.

**▲ ПРЕДУПРЕЖДЕНИЕ:** Задължително определете предпазни мерки за защита на оператора въз основа на оценка на риска в реални работни условия (като се вземат предвид всички етапи на работния цикъл, като например момента на изключване на инструмента, работата на празен ход, както и времето на задействане).

## ЕО декларация за съответствие

*Само за европейските страни*

ЕО декларацията за съответствие е включена като Анекс А към тази инструкция за употреба.

# ПРЕДУПРЕЖДЕНИЯ ЗА БЕЗОПАСНОСТ

## Общи предупреждения за безопасност при работа с електрически инструменти

**▲ ПРЕДУПРЕЖДЕНИЕ:** Прочетете всички предупреждения, инструкции, илюстрации и спецификации за безопасността, предоставени с този електрически инструмент. При неспазване на изброените по-долу инструкции има опасност от токов удар, пожар и/или тежко нараняване.

## Запазете всички предупреждения и инструкции за справка в бъдеще.

Терминът "електрически инструмент" в предупрежденията се отнася за вашия инструмент (с кабел за включване в мрежата) или работещ на батерии (безжичен) електрически инструмент.

## Предупреждения за безопасна работа с тримера

1. Дръжте електрическия инструмент само за изолираните повърхности за захват, защото има опасност режещата част да се допре до захранващия кабел. При срязване на проводник под напрежение токът може да премине през металните части на инструмента и да причини токов удар на оператора.
2. Използвайте стяги или друг практичен способ за закрепване на работния детайл върху стабилна повърхност. Ако държите детайла в ръка или притиснат към тялото, той няма да е стабилен и може да загубите контрол.
3. Опашката на крайника за тример трябва да съответства на съответния цангов патронник.
4. Използвайте само крайник за тример, който е изчислен най-малко за максималната скорост, обозначена на инструмента.
5. Ползвайте предпазни средства за слуха при продължителна работа.
6. Много внимателно работете с крайниците на тримера.
7. Преди да пристъпите към работа, проверете внимателно за пукнатини или увреждания по крайника на тримера. Ако има пукнатини или повреди, незабавно сменете крайника.
8. Избягвайте да режете гвоздеи. Проверете за гвоздеи и отстранете всички такива от детайла, преди да започнете работа.
9. Дръжте инструмента здраво.

10. Дръжте ръцете си далеч от въртящите се части.
11. Преди да включите инструмента, се уверете, че крайникът на тримера не се допира до детайла.
12. Преди да пристъпите към обработка на детайл, оставете инструмента да поработи известно време. Следете за вибрации или клатене, които може да указват, че крайникът не е правилно поставен.
13. Внимавайте за посоката на въртене на крайника на тримера и посоката на подаване.
14. Не оставяйте инструмента да работи без надзор. Инструментът трябва да работи само когато го държите в ръце.
15. Изключете инструмента и изчакайте крайникът на тримера да спре да се движи напълно, преди да го извадите от обработвания детайл.
16. Не докосвайте крайника на тримера непосредствено след обработка, защото може да е много горещ и да изгори кожата ви.
17. Внимавайте при намазване на основата с разреждател, бензин, масло или др. подобни. Те могат да предизвикат напукване на основата.
18. Някои материали съдържат химикали, които е възможно да са токсични. Вземете предпазни мерки, за да предотвратите вдишването на прах и контакта с кожата. Следвайте информацията на доставчика за безопасната работа с материала.
19. Винаги ползвайте маска за прах или дишателен апарат, съответстващ на материала и уреда, с който работите.
20. Поставете инструмента върху стабилна повърхност. В противен случай може да падне и това да доведе до нараняване.

## ЗАПАЗЕТЕ НАСТОЯЩИТЕ ИНСТРУКЦИИ.

**▲ ПРЕДУПРЕЖДЕНИЕ:** НЕ позволявайте комфорта от познаването на продукта (придобит при дългата му употреба) да замени стриктното спазване на правилата за безопасност за въпросния продукт. НЕПРАВИЛНАТА УПОТРЕБА и неспазването на правилата за безопасност, посочени в настоящото ръководство за експлоатация, могат да доведат до тежки наранявания.

## ОПИСАНИЕ НА ФУНКЦИИТЕ

**⚠ВНИМАНИЕ:** Винаги проверявайте дали инструментът е изключен от бутона и от контакта, преди да регулирате или проверявате функция на инструмента.

### Регулиране на издадеността на найкрайника на тримера

За да регулирате издадеността на найкрайника, разхлабете притискащия винт и придвижете основата нагоре или надолу до желаното място, като въртите регулиращия винт. След като регулирате, затегнете здраво притискащия винт, за да фиксирате основата.

► **Фиг.1:** 1. Основа 2. Скала 3. Издаденост на найкрайника 4. Притискащ винт 5. Регулиращ винт

### Действие на ключа

**⚠ВНИМАНИЕ:** Преди включване на инструмента към мрежата винаги проверявайте дали инструментът е изключен.

За да включите инструмента, преместете пусковия лост към положение I. За да спрете инструмента, преместете пусковия лост към положение O.

► **Фиг.2:** 1. Лост на прекъсвача

### Електронна функция

За лесно управление инструментът е оборудван с електронни функции.

### Светлинен индикатор

► **Фиг.3:** 1. Светлинен индикатор

Светлинният индикатор светва в зелено, когато инструментът се включи в контакта. Ако светлинният индикатор не светне, захранващият кабел или контролерът може да са повредени. Светлинният индикатор свети, но инструментът не заработва дори ако е включен, въглеродните четки може да са износени или контролерът, моторът или превключвателят за вкл./изкл. може да са повредени.

### Защита против неволно повторно пускане

Инструментът не се стартира, когато превключващият ключ е в положение „I“, дори ако инструментът е включен в контакта. В този момент светлинният индикатор мига в червено, което показва, че е задействана защитата против неволно повторен пуск.

За да изключите защитата против неволно повторно пускане, върнете превключващия ключ в положение „O“.

### Функция за плавно пускане

Функцията за плавно пускане намалява до минимум тласъка при пускане и прави стартирането на инструмента по-плавно.

## СГЛОБЯВАНЕ

**⚠ВНИМАНИЕ:** Преди да извършвате някакви работи по инструмента, винаги се уверявайте, че той е изключен от бутона и от контакта.

### Монтаж или демонтаж на найкрайника на тримера

**⚠ВНИМАНИЕ:** Не затягайте гайката на пръстена, без да сте поставили найкрайник за тримера, защото конусът на пръстена ще се счупи.

**⚠ВНИМАНИЕ:** Използвайте само ключовете, предоставени в комплекта на инструмента.

Поставете найкрайника на тримера докрай в конуса на пръстена и затегнете здраво гайката на пръстена с помощта на двата ключа. За да извадите найкрайника, следвайте процедурата за поставянето му в обратен ред.

► **Фиг.4:** 1. Разхлабване 2. Затягане 3. Фиксиране

## Експлоатация

**⚠ВНИМАНИЕ:** Дръжте винаги инструмента здраво с ръка върху корпуса. Не докосвайте металната част.

1. Допрете основата до обработвания детайл, без найкрайникът за тримера да влиза в контакт с него.
  2. Включете инструмента и изчакайте найкрайникът на тримера да достигне пълни обороти.
  3. Движете инструмента напред по повърхността на обработвания детайл, като поддържате основата равна и напредвате плавно, докато рязането приключи.
- **Фиг.5**

При фрезование на ръбове повърхността на детайла трябва да е разположена отляво на найкрайника на тримера по посока на подаването.

► **Фиг.6:** 1. Работен детайл 2. Посока на въртене на найкрайника 3. Изглед отгоре на инструмента 4. Посока на подаване

Ако използвате прав водач или водач на тример, се уверете, че сте го монтирали от дясната страна по посока на подаването. Така той ще бъде винаги подравнен към страничната повърхност на детайла.

► **Фиг.7:** 1. Посока на подаване 2. Посока на въртене на найкрайника 3. Работен детайл 4. Прав водач

**ЗАБЕЛЕЖКА:** Ако движите инструмента твърде бързо напред, качеството на обработка може да се влоши, а найкрайникът на тримера или двигателът да се повредят. Твърде бавното движение на инструмента може да доведе до следи от изгаряне и влошаване на качеството на обработка. Правилната скорост на подаване зависи от размера на режещия аксесоар, типа на детайла и дълбочината на фрезование. Преди да започнете обработката на действителния детайл, е препоръчително да направите пробно фрезование върху отпадно парче от материала. Така ще добиете представа как ще изглежда фрезването и ще можете да проверите размерите.



## Водач на шаблона

Водачът на шаблона има втулка, през която преминава найкрайникът на тримера, което позволява използване на тримера за шаблонно фрезозане на детайли.

► **Фиг.8**

1. Развийте притискателния винт и след това отстранете държача на водача и дефлектора за отломки.

► **Фиг.9:** 1. Притискащ винт 2. Държач на водача 3. Дефлектор за отломки

2. Разхлабете винтовете и свалете предпазителя на основата.

► **Фиг.10:** 1. Предпазител на основата 2. Винтове

3. Поставете водача за шаблонно фрезозане върху основата и върнете предпазителя на основата отново на мястото му. След това закрепете предпазителя на основата чрез затягане на винтовете.

4. Фиксирайте шаблона към детайла. Поставете инструмента върху шаблона и го придвижвайте така, че водачът на шаблона да се плъзга по страната на шаблона.

► **Фиг.11:** 1. Найкрайник за тример 2. Основа 3. Предпазител на основата 4. Шаблон 5. Работен детайл 6. Водач на шаблона

**ЗАБЕЛЕЖКА:** Детайлт ще бъде изрязан с размери, които незначително се различават от тези на шаблона. Предвидете разстоянието (X) между найкрайника на тримера и външната страна на водача на шаблона. Разстоянието (X) може да бъде изчислено чрез следната формула:

**Разстояние (X) = (външен диаметър на водача на шаблона – диаметър на найкрайника на тримера)/2**

## Прав водач

Правият водач се използва за прави срезове при скосяване.

► **Фиг.12**

1. Прикрепете водещата планка към правия водач с болта и крилчатата гайка.

► **Фиг.13:** 1. Болт 2. Водеща планка 3. Прав водач 4. Крилчатата гайка

2. Отстранете държача на водача и дефлектора на отломки, след което закрепете правия водач с притискателния винт.

► **Фиг.14:** 1. Притискащ винт 2. Прав водач 3. Крилчатата гайка 4. Основа

3. Разхлабете крилчатата гайка върху правия водач и регулирайте разстоянието между найкрайника на тримера и правия водач. Когато сте настроили желаното разстояние, затегнете здраво крилчатата гайка.

4. При фрезозане придвижвайте инструмента така, че правият водач да е наравно със страничната повърхност на детайла.

## Водач на тример

Изрязването, изготвянето на заоблени разрези във фурнир и подобни материали, може да се извършва лесно с водача на тримера. Водещата ролка насочва рязане по крива и осигурява гладък срез.

► **Фиг.15**

1. Закрепете дефлектора за отломки върху канала на основата.

2. Монтирайте водача на тримера и държача на водача към основата с помощта на притискащия винт (А).

3. Разхлабете притискателния винт (В) и регулирайте разстоянието между найкрайника на тримера и водача на тримера, като завъртите регулиращия винт (1 мм на оборот). Когато сте настроили желаното разстояние, затегнете притискателния винт (В), за да застопорите водача на тримера в мястото му.

► **Фиг.16:** 1. Регулиращ винт 2. Държач на водача 3. Водач на тример 4. Дефлектор за отломки

4. При рязане придвижвайте инструмента така, че водещата ролка да се движи по страната на детайла.

► **Фиг.17:** 1. Работен детайл 2. Найкрайник за тример 3. Водеща ролка

## ПОДДРЪЖКА

**⚠ВНИМАНИЕ:** Винаги проверявайте дали инструментът е изключен от прекъсвача и от контакта преди извършване на проверка или поддръжка на инструмент.

**БЕЛЕЖКА:** Не използвайте бензин, нафта, разредител, спирт и др. подобни. Това може да причини обезцветяване, деформация или пукнатини.

За да се поддържа БЕЗОПАСНОСТТА и НАДЕЖДНОСТТА на продукта, ремонтите, поддръжката или регулирането трябва да се извършват от упълномощен сервиз или фабрични сервизни центрове на Makita, като винаги трябва да използвате резервни части от Makita.

## Смяна на графитните четки

► **Фиг.18:** 1. Ограничителен знак

Проверявайте редовно графитните четки. Сменяйте ги, когато се износят до ограничителния знак. Поддържайте графитните четки чисти и да се движат свободно в държачите. Двете графитни четки трябва да се сменят едновременно. Използвайте само идентични графитни четки.

1. С помощта на отвертка развийте капачките на четкодържачите.

2. Извадете износените графитни четки, сложете новите и завийте капачките на четкодържачите.

► **Фиг.19:** 1. Капачка на четкодържач

# ДОПЪЛНИТЕЛНИ АКСЕСОАРИ

**⚠ ВНИМАНИЕ:** Препоръчва се използването на тези аксесоари или накрайници с вашия инструмент Makita, описан в настоящото ръководство. Използването на други аксесоари или накрайници може да доведе до опасност от телесни повреди. Използвайте съответния аксесоар или накрайник само по предназначение.

Ако имате нужда от помощ за повече подробности относно тези аксесоари, се обърнете към местния сервизен център на Makita.

**ЗАБЕЛЕЖКА:** Някои артикули от списъка може да са включени в комплекта на инструмента, като стандартни аксесоари. Те може да са различни в различните държави.

## Накрайници на тример

### Прав накрайник

#### ► Фиг.20

D	A	L1	L2
6	20	50	15
1/4"			
6	8	50	18
1/4"			
6	6	50	18
1/4"			

Мерна единица: мм

### U-образен канал

#### ► Фиг.21

D	A	L1	L2	R
6	6	60	28	3
1/4"				

Мерна единица: мм

### V-образен канал

#### ► Фиг.22

D	A	L1	L2	θ
1/4"	20	50	15	90°

Мерна единица: мм

### Накрайник за подрязване с пробивач връх

#### ► Фиг.23

D	A	L1	L2	L3
6	6	60	18	28
1/4"				

Мерна единица: мм

### Накрайник за двойно подрязване с пробивач връх

#### ► Фиг.24

D	A	L1	L2	L3	L4
6	6	70	40	12	14
1/4"					

Мерна единица: мм

### Накрайник за заобляне на ръбове

#### ► Фиг.25

D	A1	A2	L1	L2	L3	R
6	25	9	48	13	5	8
1/4"						
6	20	8	45	10	4	4
1/4"						

Мерна единица: мм

### Накрайник за скосяване на ръбове

#### ► Фиг.26

D	A	L1	L2	L3	θ
6	23	46	11	6	30°
6	20	50	13	5	45°
6	20	49	14	2	60°

Мерна единица: мм

### Накрайник за заобляне към вътрешността

#### ► Фиг.27

D	A	L1	L2	R
6	20	43	8	4
6	25	48	13	8

Мерна единица: мм

### Накрайник за подрязване със сачмен лагер

#### ► Фиг.28

D	A	L1	L2
6	10	50	20
1/4"			

Мерна единица: мм

### Накрайник за заобляне на ръбове със сачмен лагер

#### ► Фиг.29

D	A1	A2	L1	L2	L3	R
6	15	8	37	7	3,5	3
6	21	8	40	10	3,5	6
1/4"	21	8	40	10	3,5	6

Мерна единица: мм

**Накрайник за скосяване на ръбове със сачмен лагер**

► Фиг.30

D	A1	A2	L1	L2	θ
6	26	8	42	12	45°
1/4"					
6	20	8	41	11	60°

Мерна единица: мм

**Накрайник за закръгляне на ръбове със сачмен лагер**

► Фиг.31

D	A1	A2	A3	L1	L2	L3	R
6	20	12	8	40	10	5,5	4
6	26	12	8	42	12	4,5	7

Мерна единица: мм

**Накрайник за заобляне на ръбове навътре със сачмен лагер**

► Фиг.32

D	A1	A2	A3	A4	L1	L2	L3	R
6	20	18	12	8	40	10	5,5	3
6	26	22	12	8	42	12	5	5

Мерна единица: мм

**Накрайник за римски профил със сачмен лагер**

► Фиг.33

D	A1	A2	L1	L2	L3	R1	R2
6	20	8	40	10	4,5	2,5	4,5
6	26	8	42	12	4,5	3	6

Мерна единица: мм

## SPECIFIKACIJE

Model:	3711
Kapacitet držača brzostezne glave	6,35 mm (1/4") ili 6,0 mm
Brzina bez opterećenja	32.000 min <sup>-1</sup>
Ukupna visina	211 mm
Neto težina	1,5 kg
Sigurnosna klasa	II/III

- Zahvaljujući našem stalnom programu razvoja i istraživanja, navedene specifikacije podložne su promjenama bez obavijesti.
- Specifikacije mogu biti različite ovisno o zemlji.
- Težina prema postupku EPTA 01/2014

## Namjena

Alat je namijenjen za rezanje rubova laminiranih ploča i sličnih materijala.

## Električno napajanje

Alat se smije priključiti samo na električno napajanje s naponom istim kao na nazivnoj pločici i smije raditi samo s jednofaznim izmjeničnim napajanjem. Dvostruko su izolirani pa se mogu rabiti i iz utičnica bez uzemnog užeta.

## Buka

Tipična jačina buke označena s A, određena sukladno 62841-2-17:

Razina tlaka zvuka ( $L_{pA}$ ): 83 dB (A)

Razina snage zvuka ( $L_{WA}$ ): 94 dB (A)

Neodređenost (K): 3 dB (A)

**NAPOMENA:** Deklarirana vrijednost emisije buke izmjerena je prema standardnoj metodi testiranja i može se rabiti za usporedbu jednog alata s drugim.

**NAPOMENA:** Deklarirana vrijednost emisije buke također se može rabiti za preliminarnu procjenu izloženosti.

**⚠ UPOZORENJE:** Nosite zaštitu za uši.

**⚠ UPOZORENJE:** Emisija buke tijekom stvarnog korištenja električnog ručnog alata se može razlikovati od deklariranih vrijednosti emisije, ovisno o načinu na koji se alat rabi, posebice ovisno o tome kakav se izradak izrađuje.

**⚠ UPOZORENJE:** Nemojte zaboraviti da identifikirate sigurnosne mjere zaštite rukovatelja koje se temelje na procjeni izloženosti u stvarnim uvjetima korištenja (uzimajući u obzir sve dijelove radnog ciklusa, poput vremena kada je alat isključen i kada on radi u praznom hodu, a također i vrijeme okidanja).

## Vibracija

Ukupna vrijednost vibracija (troosni vektorski zbir) izračunata u skladu s 62841-2-17:

Način rada: okretanje bez opterećenja

Emisija vibracija ( $a_h$ ): 2,5 m/s<sup>2</sup> ili manje

Neodređenost (K): 1,5 m/s<sup>2</sup>

**NAPOMENA:** Deklarirana vrijednost ukupnih vibracija izmjerena je prema standardnoj metodi testiranja i može se rabiti za usporedbu jednog alata s drugim.

**NAPOMENA:** Deklarirana vrijednost ukupnih vibracija također se može rabiti za preliminarnu procjenu izloženosti.

**⚠ UPOZORENJE:** Emisija vibracija tijekom stvarnog korištenja električnog ručnog alata se može razlikovati od deklariranih vrijednosti emisije, ovisno o načinu na koji se alat rabi, posebice ovisno o tome kakav se izradak izrađuje.

**⚠ UPOZORENJE:** Nemojte zaboraviti da identifikirate sigurnosne mjere zaštite rukovatelja koje se temelje na procjeni izloženosti u stvarnim uvjetima korištenja (uzimajući u obzir sve dijelove radnog ciklusa, poput vremena kada je alat isključen i kada on radi u praznom hodu, a također i vrijeme okidanja).

## Izjava o sukladnosti EZ

*Samo za države članice Europske unije*

Izjava o sukladnosti EZ u privitku je Priloga A ovih uputa za upotrebu.

## SIGURNOSNA UPOZORENJA

### Opća sigurnosna upozorenja za električne ručne alate

**⚠ UPOZORENJE:** Pročitajte sva sigurnosna upozorenja, upute, ilustracije i specifikacije priložene uz ovaj električni ručni alat. Nepridržavanje svih uputa navedenih u nastavku može rezultirati strujnim udarom, požarom i/ili ozbiljnim ozljedama.

## Sačuvajte sva upozorenja i upute radi kasnijeg korištenja.

Pojam „električni alat“ u upozorenjima odnosi se na električni (kabelski) alat uključen u struju ili na bežične električne alate (na baterije).

### Sigurnosne napomene za škare

1. **Držite električni ručni alat samo za izolirane rukohvatne površine jer rezač može doći u dodir s vlastitim kablom.** Presijecanje vodiča pod naponom može dovesti napon u izložene metalne dijelove što može izazvati strujni udar kod rukovatelja.
2. **Upotrijebite stezaljke ili drugi praktičan način za osiguranje i učvršćivanje izratka na stabilnoj platformi.** Držanje izratka rukom ili uz tijelo čini ga nestabilnim i može dovesti do gubitka kontrole.
3. **Ušica nastavka škara mora odgovarati napravljenom držaču čahure.**
4. **Upotrebljavajte isključivo nastavak škara čija je brzina najmanje jednaka maksimalnoj brzini označenoj na alatu.**
5. **Nosite zaštitu za uši tijekom dužeg rada.**
6. **Nastavcima škara rukujte vrlo pažljivo.**
7. **Prije rada pažljivo provjerite ima li pukotina ili oštećenja na nastavku škara. Odmah zamijenite oštećeni ili napuknuti nastavak.**
8. **Izbjegavajte rezanje čavala. Prije rada provjerite i uklonite sve čavle iz izratka.**
9. **Čvrsto držite alat.**
10. **Držite ruke podalje od dijelova koji se okreću.**
11. **Prije uključivanja prekidača pazite da nastavak škara ne dodiruje izradak.**
12. **Prije nego što upotrijebite alat na samom izratku, pustite ga da radi neko vrijeme. Pazite na vibraciju ili ljuljanje koji bi mogli ukazati da je nastavak nepropisno instaliran.**
13. **Pazite na smjer vrtnje i smjer postavljanja nastavka škara.**
14. **Ne ostavljajte alat da radi. Alatom radite isključivo držeći ga u ruci.**
15. **Uvijek isključite alat i pričekajte da se nastavak škara potpuno zaustavi prije no što ga uklonite iz izratka.**
16. **Ne dodirujte nastavak škara odmah nakon rada; može biti izuzetno vruć i mogao bi vam opeći kožu.**
17. **Na osnovnu ploču nemojte nemarno nanositi razrjeđivač, benzin, naftu i slična sredstva. Oni mogu izazvati pukotine na osnovnoj ploči.**
18. **Neki materijali sadrže kemikalije koje mogu biti toksične. Poduzmite potrebne mjere opreza da biste spriječili udisanje prašine i dodir s kožom. Pročitajte sigurnosno-tehnički list dobavljača materijala.**
19. **Uvijek koristite ispravnu masku za prašinu/ respirator sukladno materijalu s kojim radite i vrsti primjene.**
20. **Alat postavite na stabilno mjesto. U protivnom bi mogao pasti i uzrokovati ozljede.**

## ČUVAJTE OVE UPUTE.

**▲ UPOZORENJE:** NEMOJTE dozvoliti da udobnost ili znanje o proizvodu (stečeno stalnim korištenjem) zamijene strogo pridržavanje sigurnosnih propisa za određeni proizvod. **ZLOUPORABA ili nepridržavanje sigurnosnih propisa navedenih u ovom priručniku s uputama mogu prouzročiti ozbiljne ozljede.**

## FUNKCIONALNI OPIS

**▲ OPREZ:** Prije podešavanja ili provjere rada alata obavezno provjerite je li stroj isključen i je li kabel iskopčan.

### Podešavanje izbočenja nastavka škara

Da biste podesili izbočenje nastavka, otpustite stezni vijak i pomaknite osnovnu ploču po želji prema gore ili dolje okretanjem vijka za podešavanje. Nakon podešavanja čvrsto zategnite stezni vijak da biste učvrstili osnovnu ploču.

► **SI.1:** 1. Osnovna ploča 2. Skala 3. Izbočenje nastavka 4. Stezni vijak 5. Vijak za prilagodbu

### Uključivanje i isključivanje

**▲ OPREZ:** Prije priključivanja alata na električnu mrežu uvijek provjerite je li isključen.

Da biste pokrenuli alat, pomaknite ručicu prekidača u položaj I. Da biste zaustavili alat, pomaknite ručicu prekidača u položaj O.

► **SI.2:** 1. Ručica prekidača

### Elektroničke funkcije

Alat je opremljen elektroničkim funkcijama za lakši rad.

### Indikacijska svjetiljka

► **SI.3:** 1. Indikacijska svjetiljka

Indikacijska svjetiljka svijetli zeleno kad je alat uključen. Ako se indikacijska svjetiljka ne uključi, kabel za napajanje ili upravljač mogu biti u kvaru. Indikacijska svjetiljka svijetli, ali se alat ne pokreće iako je uključen, što znači da su ugljene četkice ili upravljač istrošeni, odnosno da su motor ili uključno/isključna sklopka u kvaru.

### Zaštita od nehomičnog pokretanja

Alat se ne pokreće kad je ručica prekidača u položaju I, čak i kad je alat priključen u struju.

U ovom trenutku indikacijska svjetiljka treperi crveno i pokazuje da radi uređaj za sprječavanje nenamjernog ponovnog pokretanja.

Za isključenje zaštite od nehomičnog pokretanja povucite ručicu prekidača u položaj O.

### Značajka mekog pokretanja (soft-start)

Meki start smanjuje početni šok i omogućuje glatko pokretanje alata.

## MONTAŽA

**⚠ OPREZ:** Prije svakog zahvata alat obavezno isključite, a priključni kabel iskopčajte iz utičnice.

### Montaža i demontaža nastavka škara

**⚠ OPREZ:** Nemojte zatezati maticu za zatezanje prije nego što umetnete nastavak škara jer će se stožac čahure za zatezanje slomiti.

**⚠ OPREZ:** Koristite samo ključeve isporučene s alatom.

Umetnite nastavak škara do kraja u stožac čahure i pomoću dva ključa čvrsto zategnite maticu čahure. Da biste uklonili nastavak, slijedite postupak postavljanja unatrag.

► **SI.4:** 1. Otpuštanje 2. Zatezanje 3. Držanje

## RAD

**⚠ OPREZ:** Alat uvijek držite čvrsto s jednom rukom na kućištu. Ne dirajte metalni dio.

1. Osnovnu ploču postavite na izradak tako da ga nastavak škara ne dodiruje.
  2. Zatim uključite alat i pričekajte da nastavak škara postigne puni broj okretaja.
  3. Pomičite alat prema naprijed po površini izratka održavajući osnovnu ploču uspravnom i lagano nastavite dok ne završite s rezom.
- **SI.5**

Kada završite s rezanjem ruba, površina izratka trebala bi biti s lijeve strane nastavka škara u smjeru postavljanja.

► **SI.6:** 1. Izradak 2. Smjer okretanja nastavka 3. Prikaz s vrha alata 4. Smjer postavljanja

Kada koristite ravnu vodilicu ili vodilicu škara, obavezno je držite na desnoj strani u smjeru postavljanja. To će vam pomoći da ga zadržite u ravni s izratkom.

► **SI.7:** 1. Smjer postavljanja 2. Smjer okretanja nastavka 3. Izradak 4. Ravna vodilica

**NAPOMENA:** Prebrzo pomicanje alata prema naprijed može prouzročiti lošu kvalitetu reza odnosno oštećenje nastavka škara ili motora. Presporo pomicanje alata može spaliti i pokvariti rez. Pravilna brzina ovisi o veličini nastavka, vrsti izratka i dubini reza. Prije početka rezanja stvarnog izratka poželjno je da napravite probni rez na komadu starog drva. To će točno pokazati kako će rez izgledati i omogućiti vam da provjerite dimenzije.

## Vodilica šablone

Šablona se sastoji od tuljca kroz koji prolazi nastavak škara što omogućuje korištenje škara s uzorcima šablone.

► **SI.8**

1. Otpustite stezni vijak i skinite držač vodilice i uređaj za otklanjanje strugotina.  
► **SI.9:** 1. Stezni vijak 2. Držač vodilice 3. Uređaj za otklanjanje strugotina
2. Otpustite vijke i uklonite štitičnik osnove.  
► **SI.10:** 1. Štitičnik osnove 2. Vijci
3. Na osnovnu ploču postavite vodilicu šablone i zamijenite štitičnik osnove. Zatim učvrstite štitičnik osnove zatezanjem vijaka.
4. Pričvrstite šablonu na izradak. Postavite alat na šablonu i pomičite ga zajedno s vodicom šablone koja klizi duž šablone.  
► **SI.11:** 1. Nastavak škara 2. Osnovna ploča 3. Štitičnik osnove 4. Šablona 5. Izradak 6. Vodilica šablone

**NAPOMENA:** Izradak će biti malo drugačije veličine nego šablona. Dodajte razmak (X) između nastavka škara i vanjske strane šablone. Razmak (X) može se izračunati pomoću sljedeće jednačbe:

**Razmak (X) = (vanjski promjer šablone - promjer nastavka škara) / 2**

## Ravna vodilica

Ravna vodilica učinkovit je pribor za ravne rezove pri kosom rezanju.

► **SI.12**

1. Pričvrstite ploču vodilice na ravnu vodilicu pomoću vijka i krilne maticе.  
► **SI.13:** 1. Vijak 2. Ploča vodilice 3. Ravna vodilica 4. Krilna matica
2. Skinite držač vodilice i uređaj za otklanjanje strugotina pa zatim steznim vijkom pričvrstite ravnu vodilicu.  
► **SI.14:** 1. Stezni vijak 2. Ravna vodilica 3. Krilna matica 4. Osnovna ploča
3. Otpustite krilnu maticu na ravnoj vodilici i prilagodite razmak između nastavka škara i ravne vodilice. Na željenom razmaku čvrsto zategnite krilnu maticu.
4. Pri rezanju pomičite alat s ravnom vodicom u ravni s bočnom stranom izratka.

## Vodilica škara

Rezanje, zakrivljeni rezovi u furniru za namještaj i slično lako se mogu napraviti pomoću vodilice škara. Vodeći valjak naliježe na krivulje i osigurava fini rez.

► **SI.15**

1. Pričvrstite uređaj za otklanjanje strugotina na otvor postolja.
2. Postavite vodilicu škara i držač vodilice na osnovnu ploču s pomoću steznog vijka (A).

3. Otpustite stezni vijak (B) i podesite razmak između nastavka i vodilice škara okretanjem vijka za podešavanje (1 mm po okretaju). Na željenom razmaku zategnite stezni vijak (B) da biste učvrstili vodilicu škara na mjestu.
- **SI.16:** 1. Vijak za prilagođavanje 2. Držak vodilice 3. Vodilica škara 4. Uređaj za otklanjanje strugotina

4. Pri rezanju pomičite alat s vodećim valjkom koji naliježe na bočnu stranu izratka.
- **SI.17:** 1. Izradak 2. Nastavak škara 3. Vodeći valjak

## ODRŽAVANJE

**▲ OPREZ:** Uvijek isključite i odspojite alat iz utičnice prije obavljanja pregleda ili održavanja.

**NAPOMENA:** Nikada nemojte koristiti benzin, mješavinu benzina, razrjeđivač, alkohol ili slično. Kao rezultat toga može se izgubiti boja, pojaviti deformacija ili pukotine.

Da biste zadržali SIGURNOST I POUZDANOST proizvoda, održavanje ili namještanja trebali biste prepustiti ovlaštenim servisnim ili tvorničkim centrima tvrtke Makita; uvijek rabite originalne rezervne dijelove.

## Zamjena ugljenih četkica

- **SI.18:** 1. Granična oznaka

Redovno provjeravajte ugljene četkice. Zamijenite ih kada istrošenost stigne do granične oznake. Vodite računa da su ugljene četkice čiste i da mogu skliznuti u držače. Objе ugljene četkice treba zamijeniti istovremeno. Koristite samo identične ugljene četkice.

1. Koristite odvijač da biste uklonili poklopce ugljenih četkica.
  2. Izvadite istrošene ugljene četkice, umetnite nove i pričvrstite poklopce držača četkice.
- **SI.19:** 1. Poklopac držača četkice

## DODATNI PRIBOR

**▲ OPREZ:** Ovaj dodatni pribor ili priključci preporučuju se samo za upotrebu s alatom Makita navedenim u ovom priručniku. Upotreba bilo kojeg drugog dodatnog pribora ili priključaka može prouzročiti ozljede. Upotrebljavajte dodatni pribor ili priključak samo za njegovu navedenu svrhu.

Ako vam je potrebna pomoć za više detalja u pogledu ovih dodatnih pribora, obratite se najbližem Makita servisnom centru.

**NAPOMENA:** Neke stavke iz popisa se mogu isporučiti zajedno sa strojem kao standardni dodatni pribori. Oni mogu biti različiti ovisno o zemlji.

## Nastavci škara

### Ravni nastavak

#### ► SI.20

D	A	L1	L2
6	20	50	15
1/4"			
6	8	50	18
1/4"			
6	6	50	18
1/4"			

Jedinica: mm

### Nastavak za žlijeb u obliku slova U

#### ► SI.21

D	A	L1	L2	R
6	6	60	28	3
1/4"				

Jedinica: mm

### Nastavak za žlijeb u obliku slova V

#### ► SI.22

D	A	L1	L2	θ
1/4"	20	50	15	90°

Jedinica: mm

### Nastavak za podrezivanje u ravnini točke bušenja

#### ► SI.23

D	A	L1	L2	L3
6	6	60	18	28
1/4"				

Jedinica: mm

### Nastavak za podrezivanje dvostruko poravnat u ravnini točke bušenja

#### ► SI.24

D	A	L1	L2	L3	L4
6	6	70	40	12	14
1/4"					

Jedinica: mm

### Nastavak za zaokruživanje kutova

#### ► SI.25

D	A1	A2	L1	L2	L3	R
6	25	9	48	13	5	8
1/4"						
6	20	8	45	10	4	4
1/4"						

Jedinica: mm

**Nastavak za koso rezanje****► SI.26**

D	A	L1	L2	L3	θ
6	23	46	11	6	30°
6	20	50	13	5	45°
6	20	49	14	2	60°

Jedinica: mm

**Nastavak za izvlačenje usjeka****► SI.27**

D	A	L1	L2	R
6	20	43	8	4
6	25	48	13	8

Jedinica: mm

**Nastavak s kugličnim ležajem za podrezivanje u ravnini****► SI.28**

D	A	L1	L2
6	10	50	20
1/4"			

Jedinica: mm

**Nastavak s kugličnim ležajem za zaokruživanje kutova****► SI.29**

D	A1	A2	L1	L2	L3	R
6	15	8	37	7	3,5	3
6	21	8	40	10	3,5	6
1/4"	21	8	40	10	3,5	6

Jedinica: mm

**Nastavak s kugličnim ležajem za koso rezanje****► SI.30**

D	A1	A2	L1	L2	θ
6	26	8	42	12	45°
1/4"					
6	20	8	41	11	60°

Jedinica: mm

**Nastavak s kugličnim ležajem za izvlačenje****► SI.31**

D	A1	A2	A3	L1	L2	L3	R
6	20	12	8	40	10	5,5	4
6	26	12	8	42	12	4,5	7

Jedinica: mm

**Nastavak s kugličnim ležajem za izvlačenje usjeka****► SI.32**

D	A1	A2	A3	A4	L1	L2	L3	R
6	20	18	12	8	40	10	5,5	3
6	26	22	12	8	42	12	5	5

Jedinica: mm

**Nastavak s kugličnim ležajem za rimski vijenac****► SI.33**

D	A1	A2	L1	L2	L3	R1	R2
6	20	8	40	10	4,5	2,5	4,5
6	26	8	42	12	4,5	3	6

Jedinica: mm



## СПЕЦИФИКАЦИИ

Модел:	3711
Капацитет на стегачот на грлото	6,35 мм (1/4") или 6,0 мм
Брзина без оптоварување	32.000 мин. <sup>-1</sup>
Вкупна висина	211 мм
Нето тежина	1,5 кг
Класа на безбедност	II/III

- Поради нашата континуирана програма за истражување и развој, спецификациите тука подлежат на промена без најава.
- Спецификациите може да се разликуваат од држава до држава.
- Тежината е во согласност со постапката на EPTA 01/2014

### Наменета употреба

Алатот е наменет за стрижење на работ од ламинатен лим или слични материјали.

### Напојување

Алатот треба да се поврзува само со напојување со ист напон како што е назначено на плочката и може да работи само на еднофазна наизменична струја. Алатот е двојно изолиран и може да се користи и со приклучоци што не се заземјени.

### Бучава

Типична А-вредност за ниво на бучавата одредена во согласност со 62841-2-17:

Ниво на звучниот притисок ( $L_{pA}$ ): 83 dB (A)

Ниво на јачина на звукот ( $L_{WA}$ ): 94 dB (A)

Отстапување (K): 3 dB (A)

**НАПОМЕНА:** Номиналната вредност(и) за емисија на бучава е измерена во согласност со стандардни методи за испитување и може да се користи за споредување алати.

**НАПОМЕНА:** Номиналната вредност(и) за емисија на бучава може да се користи и како прелиминарна процена за изложеност.

**▲ПРЕДУПРЕДУВАЊЕ:** Носете заштита за ушите.

**▲ПРЕДУПРЕДУВАЊЕ:** Емисијата на бучава при фактичкото користење на алатот може да се разликува од номиналната вредност(и), зависно од начинот на којшто се користи алатот, особено од тоа како вид работен материјал се обработува.

**▲ПРЕДУПРЕДУВАЊЕ:** Погрижете се да ги утврдите безбедносните мерки за заштита на лицето кое ракува со алатот врз основа на процена на изложеноста при фактичките услови на употреба (земајќи ги предвид сите делови на работниот циклус, како периодите кога електричниот алат е исклучен и кога работи во празен од, не само кога е активен).

### Вибрации

Вкупна вредност на вибрациите (векторска сума на три оски) одредена во согласност со 62841-2-17: Работен режим: ротирање без оптоварување  
Ширење вибрации ( $a_{h1}$ ): 2,5 м/с<sup>2</sup> или помалку  
Отстапување (K): 1,5 м/с<sup>2</sup>

**НАПОМЕНА:** Вкупната вредност(и) на номиналната јачина на вибрациите е измерена во согласност со стандардни методи за испитување и може да се користи за споредување алати.

**НАПОМЕНА:** Вкупната вредност(и) на номиналната јачина на вибрациите може да се користи и како прелиминарна процена за изложеност.

**▲ПРЕДУПРЕДУВАЊЕ:** Јачината на вибрациите при фактичкото користење на алатот може да се разликува од номиналната вредност(и), зависно од начинот на којшто се користи алатот, особено од тоа како вид работен материјал се обработува.

**▲ПРЕДУПРЕДУВАЊЕ:** Погрижете се да ги утврдите безбедносните мерки за заштита на лицето кое ракува со алатот врз основа на процена на изложеноста при фактичките услови на употреба (земајќи ги предвид сите делови на работниот циклус, како периодите кога електричниот алат е исклучен и кога работи во празен од, не само кога е активен).

### Декларација за сообразност од ЕУ

*Само за земјите во Европа*

Декларацијата за сообразност од ЕУ е вклучена во Додаток А од упатствата за корисникот.

# БЕЗБЕДНОСНИ ПРЕДУПРЕДУВАЊА

## Општи упатства за безбедност за електричните алати

**▲ ПРЕДУПРЕДУВАЊЕ:** Прочитајте ги сите безбедносни предупредувања, упатства, илустрации и спецификации дадени со електричниот алат. Ако не се почитуваат сите упатства наведени подолу, може да дојде до струен удар, пожар и/или сериозни повреди.

## Чувајте ги сите предупредувања и упатства за да може повторно да ги прочитате.

Под терминот „електричен алат“ во предупредувањата се мисли на вашиот електричен алат кој работи на струја (со кабел) или на батерии (безжично).

## Безбедносни предупредувања за фрезата

1. Држете го електричниот алат само за изолираните површини за држење затоа што секачот може да дојде во допир со сопствениот кабел. Ако се допре жица под напон, може да се пренесе струјата до металните делови на електричниот алат и да се предизвика струен удар кај лицето што ракува со електричниот алат.
2. Користете стеги или друг практичен начин за да го зацврстите и потпрете материјалот на стабилна платформа. Ако го држите материјалот со рака или го навалувате на телото, ќе биде нестабилен и може да доведе до губење контрола.
3. Оската на главата на фрезата мора да се совпаѓа со дизајнираниот клин на прицврстувачот.
4. Користете само глава на фреза што е проценета за барем еднаква со максималната брзина означена на алатот.
5. Носете заштита за уши кога работите подолго време.
6. Ракувајте многу внимателно со главите на фрезата.
7. Пред работата, внимателно проверете дали на главата на фрезата има пукнатини или оштетувања. Ако на главата има пукнатини или оштетувања, заменете ја веднаш.
8. Избегнувајте сечење шајки. Проверете и извадете ги сите шајки од материјалот пред да работите.

9. Цврсто држете го алатот.
10. Не допирајте ги вртливите делови.
11. Внимавајте главата на фрезата да не го допира материјалот пред да се вклучи прекинувачот.
12. Пред да го користите алатот врз работниот материјал, оставете го да поработи малку на празно. Гледајте дали вибира или се клати, што може да значи дека има неправилно монтирана глава.
13. Внимавајте на правецот на ротирање на главата од фрезата и правецот од кој го прима материјалот.
14. Не оставајте го алатот вклучен. Работете со алатот само кога го држите в раце.
15. Секогаш исклучувајте го алатот и почекајте главата на фрезата целосно да сопре пред да го тргнете алатот од материјалот.
16. Не допирајте ја главата на фрезата веднаш по работата, може да е многу жешка и да ви ја изгори кожата.
17. Не замачкувајте ја основата со разредувач, бензин, нафта или слично. Тие може да предизвикаат напукнување на основата.
18. Некои материјали содржат хемикалии што можат да бидат токсични. Избегнувајте вдишување на прашина и избегнувајте контакт на прашина со кожата. Следете ги упатствата од производителот на материјалот.
19. Секогаш користете ги соодветните маска за прав/респиратор за материјалот што го користите и за одредената примена.
20. Ставете го алатот на стабилна површина. Во спротивно, може да дојде до несреќа од паѓање и да предизвика повреда.

## ЧУВАЈТЕ ГО УПАТСТВОТО.

**▲ ПРЕДУПРЕДУВАЊЕ:** НЕ ДОЗВОЛУВАЈТЕ удобноста или познавањето на производот (стекнати со подолга употреба) да ве наведат да не се придржувате строго до безбедносните правила за овој производ. ЗЛОУПОТРЕБАТА или непочитувањето на безбедносните правила наведени во ова упатство може да предизвикаат тешка телесна повреда.

## ОПИС НА ФУНКЦИИТЕ

**⚠ВНИМАНИЕ:** Пред секое дотерување или проверка на алатот, проверете дали е исклучен и откачен од струја.

### Нагодување на издаденоста на главата на фрезата

За да ја нагодите издаденоста на бургијата, олабавете го шрафот за стегање и поместете ја основата нагоре или надолу по желба со вртење на завртката за нагодување. Откако ќе завршите со нагодување, цврсто стегнете го шрафот за стегање за да ја прицврстите основата.

► **Сл.1:** 1. Основа 2. Скала 3. Издаденост на главата 4. Стезна завртка 5. Шраф за нагодување

### Вклучување

**⚠ВНИМАНИЕ:** Пред да го вклучите алатот во штекер, секогаш проверете дали алатот е исклучен.

За да го стартувате алатот, поместете ја рачката на прекинувачот во положбата I. За да го сопрете алатот, поместете ја рачката на прекинувачот во положбата O.

► **Сл.2:** 1. Рачка на прекинувач

### Електронска функција

За полесно работење, алатот е опремен со електронски функции.

### Индикаторска ламбичка

► **Сл.3:** 1. Индикаторска ламбичка

Индикаторската ламбичка свети зелено кога алатот е приклучен во струја. Ако индикаторската ламбичка не свети, главниот кабел или контролерот може да се неисправни. Индикаторската ламбичка е вклучена, но алатот не стартува иако е вклучен, карбонските четки може да се избени или контролерот, моторот или прекинувачот ON/OFF можеби се неисправни.

### Заштита од ненамерно рестартирање

Алатот не може да се вклучи кога лостот на прекинувачот е во положба I, дури и кога алатот е приклучен.

Во тој момент, индикаторската ламбичка трепка црвено и покажува дека заштитата од ненамерно рестартирање е активна.

За да ја деактивирате заштитата од ненамерно рестартирање, вратете го лостот на прекинувачот во положба O.

### Одлика за меко започнување

Одликата за меко стартување го сведува на минимум почетниот удар и овозможува алатот за стартува глатко.

## СОСТАВУВАЊЕ

**⚠ВНИМАНИЕ:** Пред да работите нешто на алатот, проверете дали е исклучен и откачен од струја.

### Монтирање или вадење глава на фреза

**⚠ВНИМАНИЕ:** Не стегнувајте ја навртката на грлото без да вметнете глава на фреза, во спротивно, конусот на прицврстувачот ќе се скрши.

**⚠ВНИМАНИЕ:** Користете ги само клучевите испорачани со алатот.

Вметнете ја главата за фрезата докрај во конусот на грлото и стегнете ја навртката на грлото со двата клуча. За да ја извадите главата, следете ја постапката за монтирање по обратен редослед.

► **Сл.4:** 1. Олабавување 2. Стегнување 3. Држење

## РАБОТЕЊЕ

**⚠ВНИМАНИЕ:** Алатот секогаш држете го цврсто со едната рака на куќиштето. Не допирајте го металниот дел.

1. Поставете ја основата врз материјалот што ќе го сечете, така што главата на фрезата нема да го допира.
  2. Вклучете го алатот и почекајте додека главата на фрезата не достигне целосна брзина.
  3. Движете го алатот напред преку површината на материјалот, држејќи ја основата рамно и напредувајќи полека додека не заврши сечењето.
- **Сл.5**

Кога се сечат рабови, површината на материјалот треба да биде на левата страна од главата на фрезата, во правец на принесување на материјалот.

► **Сл.6:** 1. Работен материјал 2. Правец на вртење на главата 3. Приказ на алатот од горе 4. Правец на принесување на материјалот

Кога го користите држачот на правец или насочувачот на фрезата, задолжително нека бидат на десната страна во правецот на принесување на материјалот. Така ќе бидат израмнети со страната на материјалот.

► **Сл.7:** 1. Правец на принесување на материјалот 2. Правец на вртење на главата 3. Работен материјал 4. Држач на правец

**НАПОМЕНА:** Ако го движите алатот премногу брзо напред, засекот ќе биде со слаб квалитет или може да се оштетат главата или моторот на фрезата. Ако пополека го движите алатот напред, може да се изгори и уништи засекот. Правилната брзина на принесување на материјалот ќе зависи од големината на главата, видот на материјалот и длабочината на засекот. Пред да почнете да сечете на самиот материјал, се препорачува да направите мала проба на отпадно парче дрво. Така ќе се види точно како ќе изгледа засекот и ќе можете да ги проверите димензиите.

## Насочувач на шаблон

Насочувачот на шаблон има муф низ кој минува главата на фрезата, дозволувајќи користење на фрезата со шеми на шаблони.

### ► Сл.8

1. Олабавете ја стезната завртка, а потоа отстранете ги држачот на насочувачот и отстранувачот на делканици.

► Сл.9: 1. Стезна завртка 2. Држач на насочувач  
3. Отстранувач на делканици

2. Олабавете ги завртките и извадете го штитникот на основата.

► Сл.10: 1. Штитник на основата 2. Завртки

3. Ставете го насочувачот на шаблон на основата и повторно ставете го штитникот на основата. Потоа прицврстете го штитникот на основата стегнувајќи ги завртките.

4. Прицврстете го шаблонот на материјалот. Ставете го алатот на шаблонот и движете го алатот, така што насочувачот на шаблон ќе се лизга долж страната на шаблонот.

► Сл.11: 1. Глава на фреза 2. Основа 3. Штитник на основата 4. Шаблон 5. Работен материјал 6. Насочувач на шаблон

**НАПОМЕНА:** Работниот материјал ќе се исече со различна големина од онаа на шаблонот. Земете го предвид растојанието (X) помеѓу главата на фрезата и надворешноста на насочувачот на шаблон. Растојанието (X) може да се пресметува според следнава равенка:

**Растојание (X) = (надворешен обем на насочувачот на шаблон – обем на главата на фрезата) / 2**

## Држач на правец

Насочувачот на правец ефикасно се користи за прави засеци кога се прави оборување работи.

### ► Сл.12

1. Прикачете ја плочата за насочување на држачот на правец со завртката и навртка-пеперутка.

► Сл.13: 1. Завртка 2. Плоча за насочување  
3. Држач на правец 4. Навртка-пеперутка

2. Тргнете ги држачот на насочувачот и отстранувачот на делканици, па прицврстете го држачот на правец со навртката-пеперутка.

► Сл.14: 1. Стезна завртка 2. Држач на правец  
3. Навртка-пеперутка 4. Основа

3. Олабавете ја навртката-пеперутка на држачот на правец и нагодете го растојанието помеѓу главата на фрезата и држачот на правец. На саканото растојание, добро стегнете ја навртката-пеперутка.

4. Кога сечете, движете го алатот со држачот на правец израмнет со страната на материјалот.

## Насочувач на фреза

Насочувачот на фрезата помага за лесно потсекување, сечење на криви линии во фурнири за мебел и сл. Валјакот на насочувачот врти по кривата и обезбедува прецизен засек.

### ► Сл.15

1. Прикачете го отстранувачот на делканици во жлебот на основата.

2. Монтирајте го насочувачот на фрезата на основата со помош на шрафот за стегање (А).

3. Олабавете ја стезната завртка (В) и нагодете го растојанието помеѓу главата и насочувачот на фрезата со вртење на нагдувачката завртка (1 мм на едно завртување). На саканото растојание, стегнете ја стезната завртка (Б) за да го прицврстите насочувачот на фрезата на место.

► Сл.16: 1. Нагдувачка завртка 2. Држач на насочувач 3. Насочувач на фреза  
4. Отстранувач на делканици

4. Кога сечете, движете го алатот со валјакот на насочувачот израмнет со страната на материјалот.

► Сл.17: 1. Работен материјал 2. Глава на фреза  
3. Валјак на насочувачот

## ОДРЖУВАЊЕ

**▲ВНИМАНИЕ:** Пред секоја проверка или одржување, проверете дали алатот е исклучен и откачен од струја.

**ЗАБЕЛЕШКА:** За чистење, не користете нафта, бензин, разредувач, алкохол или слично. Тие средства ја дадат бојата и може да предизвикаат деформации или пукнатини.

За да се одржи БЕЗБЕДНОСТА и СИГУРНОСТА на производот, поправките, одржувањата или дотерувањата треба да се вршат во овластени сервисни или фабрички центри на Makita, секогаш со резервни делови од Makita.

## Замена на карбонските четкички

► Сл.18: 1. Гранична ознака

Редовно проверувајте ги карбонските четкички. Заменете ги кога ќе се истрошат до граничната ознака. Одржувајте ги карбонските четкички чисти за да влегуваат во држачите непречено. Двете карбонски четкички треба да се заменат истовремено. Користете само идентични карбонски четкички.

1. Извадете ги капачињата на држачите на четкичките со одвртка.

2. Извадете ги истрошените карбонски четкички, вметнете ги новите и стегнете ги капачињата на држачите на четкичките.

► Сл.19: 1. Држач на четкичка

# ОПЦИОНАЛЕН ПРИБОР

**⚠ ВНИМАНИЕ:** Овој прибор или додатоци се препорачуваат за користење со алатот од Makita дефиниран во упатството. Со користење друг прибор или додатоци може да се изложите на ризик од телесни повреди. Користете ги приборот и додатоците само за нивната назначена намена.

Ако ви треба помош за повеќе детали за приборот, прашајте во локалниот сервисен центар на Makita.

**НАПОМЕНА:** Некои ставки на листата може да се вклучени со алатот како стандарден прибор. Тие може да се разликуваат од држава до држава.

## Глави на фреза

### Права глава

#### ► Сл.20

D	A	L1	L2
6	20	50	15
1/4"			
6	8	50	18
1/4"			
6	6	50	18
1/4"			

Единица:мм

### Глава за жлебување U

#### ► Сл.21

D	A	L1	L2	R
6	6	60	28	3
1/4"				

Единица:мм

### Глава за жлебување V

#### ► Сл.22

D	A	L1	L2	θ
1/4"	20	50	15	90°

Единица:мм

### Глава за поткастрување со порамнување

#### ► Сл.23

D	A	L1	L2	L3
6	6	60	18	28
1/4"				

Единица:мм

### Глава за поткастрување со двојно порамнување

#### ► Сл.24

D	A	L1	L2	L3	L4
6	6	70	40	12	14
1/4"					

Единица:мм

### Глава за заоблување агли

#### ► Сл.25

D	A1	A2	L1	L2	L3	R
6	25	9	48	13	5	8
1/4"						
6	20	8	45	10	4	4
1/4"						

Единица:мм

### Глава за правење закосувања

#### ► Сл.26

D	A	L1	L2	L3	θ
6	23	46	11	6	30°
6	20	50	13	5	45°
6	20	49	14	2	60°

Единица:мм

### Глава за кружно сечење сводови

#### ► Сл.27

D	A	L1	L2	R
6	20	43	8	4
6	25	48	13	8

Единица:мм

### Глава за поткастрување со порамнување со топчесто лежиште

#### ► Сл.28

D	A	L1	L2
6	10	50	20
1/4"			

Единица:мм

### Глава за заоблување на агли со топчесто лежиште

#### ► Сл.29

D	A1	A2	L1	L2	L3	R
6	15	8	37	7	3,5	3
6	21	8	40	10	3,5	6
1/4"	21	8	40	10	3,5	6

Единица:мм

**Глава за закосување со топчесто лежиште****► Сл.30**

D	A1	A2	L1	L2	θ
6	26	8	42	12	45°
1/4"					
6	20	8	41	11	60°

Единица:мм

**Глава за кружно сечење со топчесто лежиште****► Сл.31**

D	A1	A2	A3	L1	L2	L3	R
6	20	12	8	40	10	5,5	4
6	26	12	8	42	12	4,5	7

Единица:мм

**Глава за сводови со кружно сечење со топчесто лежиште****► Сл.32**

D	A1	A2	A3	A4	L1	L2	L3	R
6	20	18	12	8	40	10	5,5	3
6	26	22	12	8	42	12	5	5

Единица:мм

**Глава за повеќеслојни сводови со топчесто лежиште****► Сл.33**

D	A1	A2	L1	L2	L3	R1	R2
6	20	8	40	10	4,5	2,5	4,5
6	26	8	42	12	4,5	3	6

Единица:мм

## ТЕХНИЧКИ ПОДАЦИ

Модел:	3711
Капацитет стезне чауре	6,35 мм (1/4") или 6,0 мм
Брзина без оптерећења	32.000 мин <sup>-1</sup>
Укупна висина	211 мм
Нето тежина	1,5 кг
Заштитна класа	□/II

- Због нашег непрестаног истраживања и развоја задржавамо право измена наведених спецификација без претходне најаве.
- Спецификације могу да се разликују у различитим земљама.
- Тежина према процедури ЕПТА 01/2014

### Намена

Алат је намењен за сечење ивица подлошка од ламината и сличних материјала.

### Мрежно напајање

Алат сме да се прикључи само на монофазни извор мрежног наизменичног напајања који одговара подацима са натписне плочице. Алати су двоструко заштитно изоловани, па могу да се прикључе и на мрежне утичнице без уземљења.

### Бука

Типичан А-пондерисан ниво буке одређен је према стандарду 6284 1-2-17:

Ниво звучног притиска ( $L_{pA}$ ): 83 dB (A)

Ниво звучне снаге ( $L_{WA}$ ): 94 dB (A)

Несигурност (K): 3 dB (A)

**НАПОМЕНА:** Декларисане вредности емисије буке су измерене према стандардизованом мерном поступку и могу се користити за упоређивање алата.

**НАПОМЕНА:** Декларисана вредност емисије буке се такође може користити за прелиминарну процену изложености.

**▲УПОЗОРЕЊЕ:** Носите заштитне слушалице.

**▲УПОЗОРЕЊЕ:** Емисије буке током стварне примене електричног алата могу се разликовати од декларисане вредности у зависности од начина на који се користи алат, а посебно која врста предмета се обрађује.

**▲УПОЗОРЕЊЕ:** Уверите се да сте идентификовали безбедносне мере за заштиту изложености у стварним условима употребе (узимајући у обзир све делове радног циклуса, као што је време рада уређаја, али и време када је алат искључен и када ради у празном ходу).

### Вибрације

Укупна вредност вибрација (векторски збир по три осе) одређена је према стандарду 6284 1-2-17: Режим рада: ротирање без оптерећења Вредност емисије вибрација ( $a_h$ ): 2,5 м/с<sup>2</sup> или мања Несигурност (K): 1,5 м/с<sup>2</sup>

**НАПОМЕНА:** Декларисане укупне вредности вибрација су измерене према стандардизованом мерном поступку и могу се користити за упоређивање алата.

**НАПОМЕНА:** Декларисане укупне вредности вибрација се такође могу користити за прелиминарну процену изложености.

**▲УПОЗОРЕЊЕ:** Вредност емисије вибрација током стварне примене електричног алата може се разликовати од декларисане вредности у зависности од начина на који се користи алат, а посебно која врста предмета се обрађује.

**▲УПОЗОРЕЊЕ:** Уверите се да сте идентификовали безбедносне мере за заштиту руковаоца које су засноване на процени изложености у стварним условима употребе (узимајући у обзир све делове радног циклуса, као што је време рада уређаја, али и време када је алат искључен и када ради у празном ходу).

### ЕЗ декларација о усаглашености

*Само за европске земље*

ЕЗ декларација о усаглашености део је Додатка А у овом приручнику са упутствима.

# БЕЗБЕДНОСНА УПОЗОРЕЊА

## Општа безбедносна упозорења за електричне алате

**▲УПОЗОРЕЊЕ:** Прочитајте сва безбедносна упозорења, упутства, илустрације и спецификације које су испоручене уз овај електрични алат. Непоштовање свих доле наведених безбедносних упутстава може изазвати електрични удар, пожар и/или озбиљну повреду.

## Сачувајте сва упозорења и упутства за будуће потребе.

Термин „електрични алат“ у упозорењима односи се на електрични алат који се напаја из електричне мреже (каблом) или батерије (без кабла).

## Безбедносна упозорења за тример

1. Електрични алат држите искључиво за изоловане површине за хватање јер постоји могућност да секач додирне сопствени кабл. Резање струјног кабла под напоном може да изложи руковаоца електричном удару.
2. Употребите стегу или на неки други начин причврстите предмет који обрађујете на стабилну површину. Ако предмет будете држали рукама или придржавали уз тело, можете изгубити контролу.
3. Пречник наставка за опсецање мора да одговара пројектованој стезној чаури.
4. Користите само наставка за опсецање који је предвиђен за најмање једнаку максималну брзину означеној на алату.
5. Ако дуже време радите са алатом, обавезно носите заштитне слушалице.
6. Веома пажљиво рукујте наставцима за опсецање.
7. Пре рада проверите да ли је наставка за опсецање напукао или је оштећен. Одмах замените напрсли или оштећени наставка.
8. Избегавајте сечење ексера. Прегледајте да ли у предмету обраде има ексера и уклоните их пре рада.
9. Чврсто држите алат.
10. Држите руке даље од ротирајућих делова.
11. Проверите да ли наставка за опсецање додирује предмет обраде пре укључивања прекидача.
12. Пре примене алата на стварном предмету обраде, пустите га да ради извесно време. Погледајте да ли наставка за опсецање вибрира или подрхтава како бисте проверили да ли је правилно постављен.
13. Водите рачуна о смеру ротирања наставка за опсецање и смеру пуњења.
14. Немојте да остављате укључен алат. Алат укључите само када га држите рукама.
15. Пре него што извадите алат из предмета обраде, обавезно искључите алат и сачекајте да се наставка за опсецање потпуно заустави.
16. Не додирујте наставка за опсецање одмах после рада, јер може да буде веома врућ и можете да се опечете.

17. Немојте немарно да размазујете разређивач, бензин, уље или сличне супстанце на постоље. У супротном, могу се јавити пукотине на постољу.
18. Неки материјали садрже хемикалије које могу да буду отровне. Будите опрезни да не би дошло до удисања прашине или контакта са кожом. Следите безбедносне податке добављача материјала.
19. Увек користите одговарајућу маску за прашину / респиратор за материјал и примену на којима радите.
20. Поставите алат на стабилно подручје. У супротном, може да дође до пада и повреда.

## САЧУВАЈТЕ ОВО УПУТСТВО.

**▲УПОЗОРЕЊЕ:** НЕМОЈТЕ себи да дозволите да занемарите строга безбедносна правила која се односе на овај производ услед чињенице да сте производ добро упознали и стекли рутину у руковању њиме (услед честог коришћења). **НЕНАМЕНСКА УПОТРЕБА** или непоштовање безбедносних правила наведених у овом упутству могу довести до тешких телесних повреда.

## ОПИС НАЧИНА ФУНКЦИОНИСАЊА

**▲ПАЖЊА:** Пре подешавања или провере функција алата увек проверите да ли је алат искључен и одвојен из електричне мреже.

## Подешавање истурености наставка за опсецање

За подешавање истурености наставка, олабавите завртањ за причвршћивање и померите постоље горе или доле по жељи тако што ћете окренути завртањ за подешавање. Након подешавања, чврсто затегните завртањ за причвршћивање да бисте причврстили постоље.

► **Слика1:** 1. Постоље 2. Скала 3. Истуреност наставка 4. Завртањ за причвршћивање 5. Завртањ за подешавање

## Функционисање прекидача

**▲ПАЖЊА:** Пре укључивања алата у утичницу, сваки пут проверите да ли је алат искључен.

Да бисте покренули алат, гурните ручицу прекидача у положај „I“ (укључено). Да бисте зауставили алат, гурните ручицу прекидача у положај „O“ (искључено).

► **Слика2:** 1. Полуга прекидача



## Електронска функција

Алат је опремљен електронским функцијама за једноставно управљање.

### Индикаторска лампица

► **Слика3:** 1. Индикаторска лампица

Индикаторска лампица светли зелено када је алат прикључен на напајање. Ако индикаторска лампица не светли, кабл за напајање или контролер су можда неисправни. Индикаторска лампица светли, али алат не ради чак и када се укључи, графитне четкице су можда истрошене, односно контролер, мотор или прекидач за укључивање/искључивање можда нису исправни.

### Прекид ненамерног поновног покретања

Алат се неће покренути када је полуга прекидача у положају „I“ (укључено) чак и када се прикључи на напајање. У том тренутку, индикаторска лампица ће треперити црвено и показиваће да је уређај за прекид ненамерног поновног покретања активиран. За отказивање прекида ненамерног поновног покретања, вратите полугу прекидача у положај „O“ (искључено).

### Функција лаганог старта

Функција лаганог старта ублажава шок при покретању и омогућава лако покретање алата.

## СКЛАПАЊЕ

▲ **ПАЖЊА:** Пре извођења радова на алату увек проверите да ли је искључен и да ли је утикач извучен из утичнице.

### Постављање или уклањање наставка за опсецање

▲ **ПАЖЊА:** Немојте да затежете навртку стезне чауре док не убаците наставка за опсецање, јер ће то довести до ломљења конуса стезне чауре.

▲ **ПАЖЊА:** Користите само кључеве које сте добили уз алат.

Убаците наставка за опсецање у конус стезне чауре до краја и чврсто затегните навртку стезне чауре помоћу два кључа. Да бисте уклонили наставка, примените овај поступак обрнутим редоследом.

► **Слика4:** 1. Попустите 2. Причврстите 3. Држите

## РАД

▲ **ПАЖЊА:** Увек чврсто држите алат са једном руком на кућишту. Немојте да додирујете метални део.

1. Поставите постоље на предмет обраде који треба да сечете, а да при том наставка за опсецање не додирује предмет обраде.

2. Укључите алат, а затим сачекајте да наставка за опсецање достигне пуну брзину.

3. Померајте алат равномерно напред преко површине предмета обраде, при чему постоље мора да буде поравнато, док не довршите сечење.

► **Слика5**

Када вршите обраду ивица, радна површина треба да буде са леве стране наставка за опсецање у смеру пуњења.

► **Слика6:** 1. Предмет обраде 2. Смер окретања наставка 3. Поглед са врха алата 4. Правац продора наставка

При коришћеној равне вођице или вођице за опсецање, водите рачуна о томе да буде на правој страни у смеру пуњења. То ће вам помоћи да је држите у равни са бочном страном предмета обраде.

► **Слика7:** 1. Правац продора наставка 2. Смер окретања наставка 3. Предмет обраде 4. Равна вођица

**НАПОМЕНА:** Превише брзо померање алата унапред може да доведе до лошег квалитета резања или оштећења наставка за опсецање или мотора. Превише споро померање алата унапред може да опрља и упрља рез. Права брзина обраде зависи од величине наставка, врсте радне површине и дубине реза. Пре започињања резања на стварном предмету обраде, препоручује се да извршите пробно резање на парчету отпадног дрвета. То ће вам тачно показати како ће изгледати резана површина и омогућиће вам да проверите димензије.

### Вођица шаблона

Вођица шаблона обезбеђује усек кроз који пролази наставка за опсецање, омогућавајући коришћење примера са шаблонским мотивима.

► **Слика8**

1. Олабавите завртањ за причвршћивање, а затим уклоните држач вођице и штитник опилјака.

► **Слика9:** 1. Завртањ за причвршћивање 2. Држач вођице 3. Штитник од опилјака

2. Олабавите завртње и скините штитник постоља.

► **Слика10:** 1. Штитник постоља 2. Шрафови

3. Поставите вођицу шаблона на постоље и поново поставите штитник постоља. Затим причврстите штитник постоља притезањем завртања.

4. Фиксирајте шаблон за предмет обраде. Поставите алат на шаблон и померајте га по шаблонској вођици водећи га дуж шаблона.

► **Слика11:** 1. Наставак за опсецање 2. Постоље 3. Штитник постоља 4. Шаблон 5. Предмет обраде 6. Вођица шаблона

**НАПОМЕНА:** Димензије исеченог предмета обраде биће нешто другачије од шаблона. Омогућите растојање (X) између наставка за опсецање и спољне ивице вођице шаблона. Растојање (X) може да се израчуна помоћу следеће једначине:

**Растојање (X) = (спољашњи пречник шаблонске вођице - пречник наставка за опсецање) / 2**

## Равна вођица

Равна вођица се ефикасно користи за равно резање приликом зарубљивања.

### ► Слика12

1. Причврстите плочу за вођење за равну вођицу помоћу завртња и лептир навртке.

► **Слика13:** 1. Завртањ 2. Плоча за вођење  
3. Равна вођица 4. Лептир навртка

2. Уклоните носач вођице и штитник од опилјака, а затим поставите равну вођицу помоћу завртња за причвршћивање.

► **Слика14:** 1. Завртањ за причвршћивање 2. Равна вођица 3. Лептир навртка 4. Постоље

3. Олабавите лептир навртку на равной вођици и подесите растојање између наставка за опсецање и равне вођице. На жељеном растојању чврсто затегните лептир навртку.

4. Приликом сечења померајте алат тако да равна вођица буде у равни са бочном страном радне површине.

## Вођица за опсецање

Опсецање, криволинијско сечење облога за намештај и слично могу лако да се ураде помоћу вођице за опсецање. Точкић за вођење прати кривину и обезбеђује фино сечење.

### ► Слика15

1. Поставите штитник од опилјака на жлеб постоља.

2. Поставите вођицу за опсецање и држач вођице на постоље помоћу завртња за причвршћивање (А).

3. Олабавите завртањ за причвршћивање (В) и подесите растојање између наставка за опсецање и вођице за опсецање окретањем завртња за подешавање (1 мм по окрету). Кад постигнете жељено растојање, затегните завртањ за причвршћивање (В) да бисте причврстили вођицу за опсецање.

► **Слика16:** 1. Завртањ за подешавање 2. Држач вођице 3. Вођица за опсецање 4. Штитник од опилјака

4. Приликом сечења померајте алат тако да вођица за опсецање иде дуж бочне ивице предмета обраде.

► **Слика17:** 1. Предмет обраде 2. Наставак за опсецање 3. Точкић за вођење

## ОДРЖАВАЊЕ

**▲ ПАЗЊА:** Пре него што почнете с прегледом или одржавањем алата, проверите да ли је алат искључен, а утикач извучен из утичнице.

**ОБАВЕШТЕЊЕ:** Никад немојте да користите нафту, бензин, разређивач, алкохол и слична средства. Може доћи до губитка боје, деформације или оштећења.

БЕЗБЕДАН и ПОУЗДАН рад алата гарантујемо само ако поправке, свако друго одржавање или подешавање, препустите овлашћеном сервису компаније Makita или фабричком сервису, уз употребу оригиналних резервних делова компаније Makita.

## Замена угљених четкица

► **Слика18:** 1. Граница истрошености

Редовно проверавајте угљене четкице. Замените их када се истроше до границе истрошености. Одржавајте угљене четкице да би биле чисте и да би ушле у лежишта. Обе угљене четкице треба заменити у исто време. Користите само идентичне угљене четкице.

1. Помоћу одвијача одвртните и скините поклопце држача четкица.

2. Извадите истрошене угљене четкице, ставите нове и затворите поклопце држача четкица.

► **Слика19:** 1. Поклопац држача четкице

## ОПЦИОНИ ПРИБОР

**▲ ПАЗЊА:** Ова опрема и прибор су предвиђени за употребу са алатом Makita описаним у овом упутству за употребу.

Употреба друге опреме и прибора може да доведе до повреда. Користите делове прибора или опрему искључиво за предвиђену намену.

Да бисте добили више детаља у вези са овим прибором, обратите се локалном сервисном центру компаније Makita.

**НАПОМЕНА:** Поједине ставке на листи могу бити укључене у садржај паковања алата као стандардна опрема. Оне се могу разликовати од земље до земље.

## Наставци за опсецање

Равни наставка

► **Слика20**

D	A	L1	L2
6	20	50	15
1/4"			
6	8	50	18
1/4"			
6	6	50	18
1/4"			

Јединица: мм

Наставак за жлебљење у облику „U“

► **Слика21**

D	A	L1	L2	R
6	6	60	28	3
1/4"				

Јединица: мм

### Наставак за жлебљење у облику „V“

#### ► Слика22

D	A	L1	L2	θ
1/4"	20	50	15	90°

Јединица: мм

### Наставак за копирање са оштрим врхом

#### ► Слика23

D	A	L1	L2	L3
6	6	60	18	28
1/4"				

Јединица: мм

### Двоструки наставак за копирање са оштрим врхом

#### ► Слика24

D	A	L1	L2	L3	L4
6	6	70	40	12	14
1/4"					

Јединица: мм

### Наставак за заобљавање углава

#### ► Слика25

D	A1	A2	L1	L2	L3	R
6	25	9	48	13	5	8
1/4"						
6	20	8	45	10	4	4
1/4"						

Јединица: мм

### Наставак за обарање ивица

#### ► Слика26

D	A	L1	L2	L3	θ
6	23	46	11	6	30°
6	20	50	13	5	45°
6	20	49	14	2	60°

Јединица: мм

### Наставак за заобљавање ивица

#### ► Слика27

D	A	L1	L2	R
6	20	43	8	4
6	25	48	13	8

Јединица: мм

### Наставак за копирање са кугличним лежајем

#### ► Слика28

D	A	L1	L2
6	10	50	20
1/4"			

Јединица: мм

### Наставак за заобљавање углава са кугличним лежајем

#### ► Слика29

D	A1	A2	L1	L2	L3	R
6	15	8	37	7	3,5	3
6	21	8	40	10	3,5	6
1/4"	21	8	40	10	3,5	6

Јединица: мм

### Наставак за обарање ивица са кугличним лежајем

#### ► Слика30

D	A1	A2	L1	L2	θ
6	26	8	42	12	45°
1/4"					
6	20	8	41	11	60°

Јединица: мм

### Наставак за заобљавање ивица са кугличним лежајем

#### ► Слика31

D	A1	A2	A3	L1	L2	L3	R
6	20	12	8	40	10	5,5	4
6	26	12	8	42	12	4,5	7

Јединица: мм

### Наставак за прављење профилисаних ивица са кугличним лежајем

#### ► Слика32

D	A1	A2	A3	A4	L1	L2	L3	R
6	20	18	12	8	40	10	5,5	3
6	26	22	12	8	42	12	5	5

Јединица: мм

### Наставак за стилско профилисање ивица намештаја

#### ► Слика33

D	A1	A2	L1	L2	L3	R1	R2
6	20	8	40	10	4,5	2,5	4,5
6	26	8	42	12	4,5	3	6

Јединица: мм

## SPECIFICAȚII

Model:	3711
Capacitatea mandrinei cu con elastic	6,35 mm (1/4") sau 6,0 mm
Turație în gol	32.000 min <sup>-1</sup>
Înălțime totală	211 mm
Greutate netă	1,5 kg
Clasa de siguranță	II

- Datorită programului nostru continuu de cercetare și dezvoltare, specificațiile pot fi modificate fără o notificare prealabilă.
- Specificațiile pot varia în funcție de țară.
- Greutatea este specificată conform procedurii EPTA 01/2014

### Destinația de utilizare

Mașina este destinată decupării muchiei suprafețelor laminate sau a materialelor similare.

### Sursă de alimentare

Mașina trebuie conectată numai la o sursă de alimentare cu curent alternativ monofazat, cu tensiunea egală cu cea indicată pe plăcuța de identificare a mașinii. Acestea au o izolație dublă și, drept urmare, pot fi utilizate de la prize fără împământare.

### Zgomot

Nivelul de zgomot normal ponderat A determinat în conformitate cu 62841-2-17:

Nivel de presiune acustică ( $L_{pA}$ ): 83 dB(A)

Nivel de putere acustică ( $L_{WA}$ ): 94 dB (A)

Marjă de eroare (K): 3 dB(A)

**NOTĂ:** Valoarea (valorile) totală(e) a (ale) emisiilor de zgomot declarate a(u) fost măsurată(e) în conformitate cu o metodă de test standard și poate (pot) fi utilizată(e) pentru compararea unei unelte cu alta.

**NOTĂ:** Valoarea (valorile) totală(e) a (ale) emisiilor de zgomot declarate poate (pot) fi, de asemenea, utilizată(e) într-o evaluare preliminară a expunerii.

**AVERTIZARE:** Purtați echipament de protecție pentru urechi.

**AVERTIZARE:** Emisiile de zgomot în timpul utilizării efective a unelei electrice poate diferi de valoarea (valorile) nivelului declarat, în funcție de modul în care unealta este utilizată, în special ce fel de piesă este prelucrată.

**AVERTIZARE:** Asigurați-vă că identificați măsurile de siguranță pentru a proteja operatorul, acestea fiind bazate pe o estimare a expunerii în condiții reale de utilizare (luând în considerare toate părțile ciclului de operare, precum timpii în care unealta a fost oprită, sau a funcționat în gol, pe lângă timpul de declanșare).

### Vibrații

Valoarea totală a vibrațiilor (suma vectorilor tri-axiali) determinată conform 62841-2-17:

Mod de lucru: rotație fără sarcină

Emisie de vibrații ( $a_h$ ): 2,5 m/s<sup>2</sup> sau mai puțin

Marjă de eroare (K): 1,5 m/s<sup>2</sup>

**NOTĂ:** Valoarea (valorile) totală(e) a (ale) nivelului de vibrații declarat a (au) fost măsurată(e) în conformitate cu o metodă de test standard și poate (pot) fi utilizată(e) pentru compararea unei unelte cu alta.

**NOTĂ:** Valoarea (valorile) totală(e) a (ale) nivelului de vibrații declarat poate (pot) fi, de asemenea, utilizată(e) într-o evaluare preliminară a expunerii.

**AVERTIZARE:** Nivelul de vibrații în timpul utilizării efective a unelei electrice poate diferi de valoarea (valorile) nivelului declarat, în funcție de modul în care unealta este utilizată, în special ce fel de piesă este prelucrată.

**AVERTIZARE:** Asigurați-vă că identificați măsurile de siguranță pentru a proteja operatorul, acestea fiind bazate pe o estimare a expunerii în condiții reale de utilizare (luând în considerare toate părțile ciclului de operare, precum timpii în care unealta a fost oprită, sau a funcționat în gol, pe lângă timpul de declanșare).

### Declarație de conformitate CE

*Numai pentru țările europene*

Declarația de conformitate CE este inclusă ca Anexa A în acest manual de instrucțiuni.

# AVERTIZĂRI DE SIGURANȚĂ

## Avertismente generale de siguranță pentru mașinile electrice

**⚠️ AVERTIZARE:** Citiți toate avertismentele privind siguranța, instrucțiunile, ilustrațiile și specificațiile furnizate cu această sculă electrică. Nerespectarea integrală a instrucțiunilor de mai jos poate cauza electrocutări, incendii și/sau vătămări corporale grave.

## Păstrați toate avertismentele și instrucțiunile pentru consultări ulterioare.

Termenul „mașină electrică” din avertizări se referă la mașinile dumneavoastră electrice acționate de la rețea (prin cablu) sau cu acumulator (fără cablu).

## Avertismente privind siguranța pentru mașina de frezat unimanuală

1. Țineți mașina electrică doar de suprafețele de prindere izolate, deoarece cuțitul poate intra în contact cu propriul fir. Tăierea unui fir sub tensiune poate pune sub tensiune și componentele metalice expuse ale mașinii electrice, existând pericolul ca operatorul să se electrocuteze.
2. Folosiți bride sau altă metodă practică de a fixa și sprijini piesa de prelucrat pe o platformă stabilă. Fixarea piesei cu mâna sau strângerea acesteia la corp nu prezintă stabilitate și poate conduce la pierderea controlului.
3. Tija sculei de frezat trebuie să se potrivească cu mandrina cu bucușă prevăzută.
4. Utilizați doar o sculă de frezat care poate funcționa cel puțin la viteza maximă marcată pe mașină.
5. Purtați mijloace de protecție a auzului în cazul unor perioade îndelungate de utilizare.
6. Manipulați mașinile de frezat cu deosebită atenție.
7. Verificați atent mașina de frezat cu privire la fisuri sau la deteriorări înainte de folosire. Înlocuiți imediat o sculă fisurată sau deteriorată.
8. Evitați tăierea cuielelor. Inspectați piesa de prelucrat și scoateți toate cuiele din aceasta înainte de începerea lucrării.
9. Țineți bine mașina.
10. Nu atingeți piesele în mișcare.
11. Asigurați-vă că scula de frezat nu intră în contact cu piesa de prelucrat înainte de a conecta comutatorul.
12. Înainte de utilizarea mașinii pe piesa propriu-zisă, lăsați-o să funcționeze în gol pentru un timp. Încercați să identificați orice vibrație sau oscilație care ar putea indica o instalare inadecvată a mașinii.
13. Aveți grijă la sensul de rotație al sculei de frezat și direcția de avans.
14. Nu lăsați mașina în funcțiune. Folosiți mașina numai când o țineți cu mâinile.
15. Opriti întotdeauna mașina și așteptați ca mașina de frezat să se oprească complet înainte de a scoate mașina din piesa prelucrată.

16. Nu atingeți scula de frezat imediat după executarea lucrării; aceasta poate fi extrem de fierbinte și poate provoca arsuri ale pielii.
17. Nu mânjiți neglijent talpa cu diluant, benzină, ulei sau alte substanțe asemănătoare. Acestea pot provoca fisuri în talpă.
18. Unele materiale conțin substanțe chimice care pot fi toxice. Aveți grijă să nu inhalați praful și evitați contactul cu pielea. Respectați instrucțiunile de siguranță ale furnizorului.
19. Folosiți întotdeauna masca de protecție contra prafului adecvată pentru materialul și aplicația la care lucrați.
20. Amplasați mașina pe o suprafață stabilă. În caz contrar, se pot produce accidente prin cădere, care pot cauza vătămări corporale.

## PĂSTRAȚI ACESTE INSTRUCȚIUNI.

**⚠️ AVERTIZARE:** NU permiteți comodității și familiarizării cu produsul (obținute prin utilizare repetată) să înlocuiască respectarea strictă a normelor de securitate pentru acest produs. FOLOSIREA INCORECTĂ sau nerespectarea normelor de securitate din acest manual de instrucțiuni poate provoca vătămări corporale grave.

## DESCRIEREA FUNCȚIILOR

**⚠️ ATENȚIE:** Asigurați-vă că ați oprit mașina și că ați deconectat-o de la rețea înainte de a o regla sau de a verifica starea sa de funcționare.

## Reglarea proeminenței mașinii de frezat

Pentru a regla proeminența sculei, slăbiți șurubul de strângere și deplasați talpa în sus sau în jos, după cum doriți, prin rotirea șurubului de reglare. După reglare, strângeți ferm șurubul de strângere pentru a fixa talpa.

- Fig.1: 1. Talpă 2. Scală 3. Proeminența sculei  
4. Șurub de strângere 5. Șurub de reglare

## Aționarea întrerupătorului

**⚠️ ATENȚIE:** Înainte de a conecta mașina, asigurați-vă întotdeauna că mașina este oprită.

Pentru a porni mașina, deplasați pârghia comutatoare în poziția I. Pentru a opri mașina, deplasați pârghia comutatoare în poziția O.

- Fig.2: 1. Pârghie de comutare

## Funcție electronică

Mașina este echipată cu funcții electronice pentru operare facilă.

## Lampă indicatoare

► Fig.3: 1. Lampă indicatoare

Lampa indicatoare luminează cu verde atunci când mașina este conectată la rețea. Dacă lampa indicatoare nu se aprinde, cablul de alimentare sau controlerul ar putea fi defect. Dacă lampa indicatoare este aprinsă, dar mașina nu pornește chiar dacă este pornită, perile de cărbune ar putea fi consumate sau controlerul, motorul sau comutatorul PORNIT/OPRIT ar putea fi defecte.

## Protecția împotriva repornirii accidentale

Mașina nu pornește cu pârghia de comutare în poziția I chiar dacă mașina este conectată la rețea. În acel moment, lampa indicatoare luminează intermitent cu roșu, indicând că dispozitivul împotriva repornirii accidentale este activat.

Pentru a anula protecția împotriva repornirii accidentale, readuceți pârghia de comutare la poziția O.

## Funcție de pornire lină

Caracteristica de pornire lină minimizează șocul de pornire și permite o pornire lină a mașinii.

## ASAMBLARE

**⚠ATENȚIE:** Asigurați-vă că ați oprit mașina și că ați deconectat-o de la rețea înainte de a efectua vre o intervenție asupra mașinii.

## Instalarea sau scoaterea sculei de frezat

**⚠ATENȚIE:** Nu strângeți piulița cu con elastic fără a introduce o mașină de frezat, deoarece conul elastic de strângere se va rupe.

**⚠ATENȚIE:** Folosiți numai cheile livrate cu mașina.

Introduceți mașina de frezat până la capăt în conul elastic de strângere și strângeți ferm piulița cu con elastic cu cele două chei. Pentru a scoate mașina, urmați procedura de montare în ordine inversă.

► Fig.4: 1. Deșurubați 2. Strângeți 3. Țineți

## OPERAREA

**⚠ATENȚIE:** Țineți întotdeauna mașina ferm, cu o mână pe carcasă. Nu atingeți partea metalică.

1. Așezați talpa pe piesa de prelucrat fără ca scula de frezat să intre în contact cu aceasta.
2. Porniți mașina și așteptați ca scula de frezat să atingă viteza maximă.

3. Deplasați mașina înainte pe suprafața piesei de prelucrat, ținând talpa aliniată și avansând lin până la finalizarea tăierii.

► Fig.5

Când executați frezarea muchiilor, suprafața piesei de prelucrat trebuie să se afle în partea stângă a sculei de frezat, în direcția de avans.

► Fig.6: 1. Piesă de prelucrat 2. Direcție de rotire a sculei 3. Vedere de sus a mașinii 4. Direcție de alimentare

Când utilizați ghidajul drept sau ghidajul pentru decupare, asigurați-vă că îl mențineți pe partea dreaptă în direcția de avans. Acest lucru va ajuta la menținerea ghidajului aliniat cu marginea piesei de prelucrat.

► Fig.7: 1. Direcție de alimentare 2. Direcție de rotire a sculei 3. Piesă de prelucrat 4. Ghidaj drept

**NOTĂ:** Un avans prea rapid al sculei poate avea ca efect o calitate slabă a frezării, sau avarierea sculei de frezat sau a motorului. Un avans prea lent al sculei poate avea ca efect arderea și deteriorarea profilului. Viteza de avans adecvată depinde de mărimea sculei, tipul piesei de prelucrat și adâncimea de tăiere. Înainte de a începe tăierea piesei propriu-zise, se recomandă o tăiere de probă pe un deșeu de lemn. Veți putea observa astfel exact aspectul tăieturii și veți putea verifica dimensiunile.

## Ghidaj șablon

Ghidajul șablon dispune de un manșon prin care trece scula de frezat, care permite folosirea mașinii de frezat cu modele de șablon.

► Fig.8

1. Slăbiți șurubul de strângere și apoi îndepărtați suportul de ghidaj și separatorul de așchii.

► Fig.9: 1. Șurub de strângere 2. Suport ghidaj 3. Deflector de așchii

2. Deșurubați șuruburile și demontați apărătoarea tălpii.

► Fig.10: 1. Apărătoare talpă 2. Șuruburi

3. Așezați ghidajul șablon pe talpă și reinstalați apărătoarea tălpii. Apoi fixați apărătoarea tălpii strângând șuruburile.

4. Fixați șablonul pe piesa de prelucrat. Așezați mașina pe șablon și deplasați mașina glisând ghidajul șablon de-a lungul laturii șablonului.

► Fig.11: 1. Sculă de frezat 2. Talpă 3. Apărătoare talpă 4. Șablon 5. Piesă de prelucrat 6. Ghidaj șablon

**NOTĂ:** Piesa va fi tăiată la o dimensiune puțin diferită de cea a șablonului. Lăsați o distanță (X) între scula de frezat și exteriorul ghidajului șablon. Distanța (X) poate fi calculată folosind următoarea ecuație:

**Distanța (X) = (diametrul exterior al ghidajului șablon - diametrul sculei de frezat) / 2**

## Ghidaj drept

Ghidajul drept se folosește efectiv pentru tăieri drepte la șanfrinare.

► Fig.12

1. Atașați placa de ghidare la ghidajul drept cu bolțul și piulița-fluture.

► Fig.13: 1. Șurub 2. Placă de ghidare 3. Ghidaj drept 4. Piuliță-fluture

2. Demontați suportul ghidajului și deflectorul de așchii, iar apoi atașați ghidajul drept cu șurubul de strângere.

► Fig.14: 1. Șurub de strângere 2. Ghidaj drept 3. Piuliță-fluture 4. Talpă

3. Slăbiți piulița-fluture de la ghidajul drept și reglați distanța dintre scula de frezat și ghidajul drept. La distanța dorită, strângeți ferm piulița-fluture.

4. Când frezați, deplasați mașina cu ghidajul drept lipit de fața laterală a piesei de prelucrat.

## Ghidaj pentru decupare

Decuparea, tăierea curbilor în furnirurile pentru mobilier și alte asemenea pot fi executate simplu cu ghidajul pentru decupare. Rola de ghidare urmărește curbura și asigură o tăiere precisă.

► Fig.15

1. Atașați separatorul de așchii pe canalul tălpii.

2. Montați ghidajul pentru decupare și suportul ghidajului pe talpă cu șurubul de strângere (A).

3. Slăbiți șurubul de strângere (B) și reglați distanța dintre mașina de frezat și ghidajul mașinii de frezat unimanuale prin rotirea șurubului de reglare (1 mm per rotire). La distanța dorită, strângeți șurubul de strângere (B) pentru a fixa ghidajul mașinii de frezat unimanuale în poziția respectivă.

► Fig.16: 1. Șurub de reglare 2. Suportul ghidajului 3. Ghidaj mașină de frezat unimanuală 4. Deflector de așchii

4. Când frezați, deplasați mașina cu rola de ghidare în contact cu fața laterală a piesei de prelucrat.

► Fig.17: 1. Piesă de prelucrat 2. Sculă de frezat 3. Rolă de ghidare

## ÎNȚREȚINERE

**ATENȚIE:** Asigurați-vă că ați oprit mașina și că ați deconectat-o de la rețea înainte de a efectua operațiuni de inspecție sau întreținere.

**NOTĂ:** Nu utilizați niciodată gazolină, benzină, diluant, alcool sau alte substanțe asemănătoare. În caz contrar, pot rezulta decolorări, deformări sau fisuri.

Pentru a menține SIGURANȚA și FIABILITATEA produsului, reparațiile și orice alte lucrări de întreținere sau reglare trebuie executate de centre de service Makita autorizate sau proprii, folosind întotdeauna piese de schimb Makita.

## Înlocuirea periiilor de cărbune

► Fig.18: 1. Marcaj limită

Verificați periiile de cărbune în mod regulat.

Înlocuiți-le atunci când s-au uzat până la marcajul limită. Periiile de cărbune trebuie să fie în permanență curate și să alunece cu ușurință în suport. Ambele perii de cărbune trebuie înlocuite simultan. Folosiți numai perii de cărbune identice.

1. Folosiți o șurubelniță pentru a demonta capacele suporturilor pentru perii.

2. Scoateți periiile de carbon uzate, introduceți periiile noi și fixați capacul pentru periiile de cărbune.

► Fig.19: 1. Capacul suportului pentru perii

## ACCESORII OPȚIONALE

**ATENȚIE:** Folosiți accesoriile sau piesele auxiliare recomandate pentru mașina dumneavoastră Makita în acest manual. Utilizarea oricăror alte accesorii sau piese auxiliare poate prezenta risc de vătămare corporală. Utilizați accesoriile și piesele auxiliare numai în scopul destinat.

Dacă aveți nevoie de asistență sau de mai multe detalii referitoare la aceste accesorii, adresați-vă centrului local de service Makita.

**NOTĂ:** Unele articole din listă pot fi incluse ca accesorii standard în ambalajul de scule. Acestea pot diferi în funcție de țară.

## Scule de frezat

Freză dreaptă

► Fig.20

D	A	L1	L2
6	20	50	15
1/4"			
6	8	50	18
1/4"			
6	6	50	18
1/4"			

Unitate: mm

Sculă pentru nutuire U

► Fig.21

D	A	L1	L2	R
6	6	60	28	3
1/4"				

Unitate: mm

**Sculă pentru nutuire V****► Fig.22**

D	A	L1	L2	$\theta$
1/4"	20	50	15	90°

Unitate: mm

**Freză pentru decupare plană cu vârf de burghiu****► Fig.23**

D	A	L1	L2	L3
6	6	60	18	28
1/4"				

Unitate: mm

**Freză pentru decupare plană cu vârf de burghiu cu canal dublu****► Fig.24**

D	A	L1	L2	L3	L4
6	6	70	40	12	14
1/4"					

Unitate: mm

**Freză de rotunjit muchii****► Fig.25**

D	A1	A2	L1	L2	L3	R
6	25	9	48	13	5	8
1/4"						
6	20	8	45	10	4	4
1/4"						

Unitate: mm

**Teșitor****► Fig.26**

D	A	L1	L2	L3	$\theta$
6	23	46	11	6	30°
6	20	50	13	5	45°
6	20	49	14	2	60°

Unitate: mm

**Freză de fălțuit convexă****► Fig.27**

D	A	L1	L2	R
6	20	43	8	4
6	25	48	13	8

Unitate: mm

**Freză pentru decupare plană cu rulment****► Fig.28**

D	A	L1	L2
6	10	50	20
1/4"			

Unitate: mm

**Freză de rotunjit muchii cu rulment****► Fig.29**

D	A1	A2	L1	L2	L3	R
6	15	8	37	7	3,5	3
6	21	8	40	10	3,5	6
1/4"	21	8	40	10	3,5	6

Unitate: mm

**Teșitor cu rulment****► Fig.30**

D	A1	A2	L1	L2	$\theta$
6	26	8	42	12	45°
1/4"					
6	20	8	41	11	60°

Unitate: mm

**Freză de fălțuit cu rulment****► Fig.31**

D	A1	A2	A3	L1	L2	L3	R
6	20	12	8	40	10	5,5	4
6	26	12	8	42	12	4,5	7

Unitate: mm

**Freză de fălțuit convexă cu rulment****► Fig.32**

D	A1	A2	A3	A4	L1	L2	L3	R
6	20	18	12	8	40	10	5,5	3
6	26	22	12	8	42	12	5	5

Unitate: mm

**Freză profilată cu rulment****► Fig.33**

D	A1	A2	L1	L2	L3	R1	R2
6	20	8	40	10	4,5	2,5	4,5
6	26	8	42	12	4,5	3	6

Unitate: mm



## ТЕХНІЧНІ ХАРАКТЕРИСТИКИ

Модель:	3711
Макс. діаметр цангового патрона	6,35 мм (1/4 дюйма) або 6,0 мм
Швидкість у режимі холостого ходу	32 000 хв <sup>-1</sup>
Загальна висота	211 мм
Маса нетто	1,5 кг
Клас безпеки	II/III

- Оскільки наша програма наукових досліджень і розробок триває безперервно, наведені тут технічні характеристики можуть бути змінені без попередження.
- У різних країнах технічні характеристики можуть бути різними.
- Маса відповідно до ЕРТА-Procedure 01/2014

### Призначення

Цей інструмент призначений для підрізання краю листа із шаруватого матеріалу або аналогічних матеріалів.

### Джерело живлення

Інструмент можна підключати лише до джерела живлення, що має напругу, зазначену в таблиці із заводськими характеристиками, і він може працювати лише від однофазного джерела змінного струму. Він має подвійну ізоляцію, а отже може також підключатися до розеток без лінії заземлення.

### Шум

Рівень шуму за шкалою А в типовому виконанні, визначений відповідно до стандарту 62841-2-17: Рівень звукового тиску ( $L_{pA}$ ): 83 дБ (А)  
Рівень звукової потужності ( $L_{WA}$ ): 94 дБ (А)  
Похибка (К): 3 дБ (А)

**ПРИМІТКА:** Заявлене значення шуму було виміряно відповідно до стандартних методів тестування й може використовуватися для порівняння одного інструмента з іншим.

**ПРИМІТКА:** Заявлене значення шуму може також використовуватися для попереднього оцінювання впливу.

**ПОПЕРЕДЖЕННЯ:** Користуйтеся засобами захисту органів слуху.

**ПОПЕРЕДЖЕННЯ:** Залежно від умов використання рівень шуму під час фактичної роботи електроінструмента може відрізнитися від заявленого значення вібрації; особливо сильно на це впливає тип деталі, що оброблюється.

**ПОПЕРЕДЖЕННЯ:** Забезпечте належні запобіжні заходи для захисту оператора, що відповідатимуть умовам використання інструмента (слід брати до уваги всі складові робочого циклу, як-от час, коли інструмент вимкнено та коли він починає працювати на холостому ході під час запуску).

### Вібрація

Загальна величина вібрації (векторна сума трьох напрямків) визначена згідно з 62841-2-17: Режим роботи: обертання без навантаження  
Вібрація ( $a_h$ ): 2,5 м/с<sup>2</sup> або менше  
Похибка (К): 1,5 м/с<sup>2</sup>

**ПРИМІТКА:** Заявлене загальне значення вібрації було виміряно відповідно до стандартних методів тестування й може використовуватися для порівняння одного інструмента з іншим.

**ПРИМІТКА:** Заявлене загальне значення вібрації може також використовуватися для попереднього оцінювання впливу.

**ПОПЕРЕДЖЕННЯ:** Залежно від умов використання вібрація під час фактичної роботи електроінструмента може відрізнитися від заявленого значення вібрації; особливо сильно на це впливає тип деталі, що оброблюється.

**ПОПЕРЕДЖЕННЯ:** Забезпечте належні запобіжні заходи для захисту оператора, що відповідатимуть умовам використання інструмента (слід брати до уваги всі складові робочого циклу, як-от час, коли інструмент вимкнено та коли він починає працювати на холостому ході під час запуску).

### Декларація про відповідність стандартам ЄС

*Тільки для країн Європи*

Декларацію про відповідність стандартам ЄС наведено в Додатку А до цієї інструкції з експлуатації.

# ПОПЕРЕДЖЕННЯ ПРО ДОТРИМАННЯ ТЕХНІКИ БЕЗПЕКИ

## Загальні застереження щодо техніки безпеки при роботі з електроінструментами

**⚠ ПОПЕРЕДЖЕННЯ:** Уважно ознайомтеся з усіма попередженнями про дотримання правил техніки безпеки, інструкціями, ілюстраціями та технічними характеристиками, що стосуються цього електроінструмента. Невиконання будь-яких інструкцій, перелічених нижче, може призвести до ураження електричним струмом, пожежі та/або тяжких травм.

## Збережіть усі інструкції з техніки безпеки та експлуатації на майбутнє.

Термін «електроінструмент», зазначений у інструкції з техніки безпеки, стосується електроінструмента, який функціонує від електромережі (електроінструмент з кабелем живлення), або електроінструмента з живленням від батареї (безпроводний електроінструмент).

## Попередження про дотримання правил техніки безпеки під час роботи з тримером

1. Тримайте електроінструмент тільки за спеціальні ізольовані поверхні, оскільки різак може зачепити шнур інструмента. Розрізання дроту під напругою може призвести до передавання напруги до оголених металевих частин електроінструмента й до ураження оператора електричним струмом.
2. Використовуйте затискні пристрої або інші засоби, щоб забезпечити опору деталі та закріпити її на стійкій поверхні. Утримування деталі руками або тілом не фіксує деталь та може призвести до втрати контролю.
3. Хвостовик наконечника тримера має підходити до наявного цангового патрона.
4. Використовуйте тільки наконечник тримера, розрахований, як мінімум, на максимальну робочу частоту, зазначену на інструменті.
5. Під час тривалої роботи слід надягати засоби захисту органів слуху.
6. Поводьтеся з наконечниками тримера дуже обережно.
7. Перед початком роботи ретельно перевірте наконечник тримера на наявність тріщин або пошкодження. негайно замініть тріснуті або пошкоджені наконечники.

8. Уникайте різання цвяхів. Перед початком роботи огляньте робочу деталь та в разі наявності цвяхів приборіть їх.
9. Тримайте інструмент міцно.
10. Не наближайте руки до деталей, що обертаються.
11. Не допускайте контакту наконечника тримера з робочою деталлю до увімкнення інструмента.
12. Перед початком різання деталі запустіть інструмент та дайте йому попрацювати деякий час на холостому ході. Звертайте увагу на вібрацію або нерівний хід: це може вказувати на неправильне встановлення наконечника.
13. Уважно стежте за напрямком обертання наконечника тримера та напрямком подачі.
14. Не залишайте без нагляду інструмент, який працює. Працюйте з інструментом, тільки тримаючи його в руках.
15. Обов'язково після вимкнення інструмента заждіть, поки наконечник тримера не зупиниться повністю, і лише тоді виймайте інструмент з деталі.
16. Не торкайтеся наконечника тримера відразу після обробки: він може бути дуже гарячим та спричинити опіки.
17. Не допускайте потрапляння на основу розчинника, бензину, оливи або подібних речовин через необережність. Вони можуть стати причиною появи тріщин на основі.
18. Деякі матеріали містять токсичні хімічні речовини. Будьте обережні, щоб не допустити вдихання пилу та його контакту зі шкірою. Дотримуйтеся правил техніки безпеки, передбачених виробником матеріалу.
19. Обов'язково використовуйте пилозахисну маску або респіратор відповідно до області застосування та матеріалу, який оброблюється.
20. Установіть інструмент на стійку поверхню. В іншому разі інструмент може власти й завдати травми.

## ЗБЕРІГАЙТЕ ЦІ ВКАЗІВКИ.

**⚠ ПОПЕРЕДЖЕННЯ:** НІКОЛИ НЕ втрачайте пильності та не розслабляйтеся під час користування виробом (що можливо при частому користуванні); обов'язково строго дотримуйтеся відповідних правил безпеки. **НЕНАЛЕЖНЕ ВИКОРИСТАННЯ** або недотримання правил безпеки, викладених у цій інструкції з експлуатації, може призвести до серйозних травм.

## ОПИС РОБОТИ

**⚠ ОБЕРЕЖНО:** Перед тим як регулювати або перевіряти функціональність інструмента, обов'язково переконайтеся, що інструмент вимкнено й від'єднано від електромережі.

### Регулювання виступу наконечника тримера

Щоб відрегулювати виступ наконечника, відпустіть затискний гвинт і пересуньте основу вгору або вниз, наскільки потрібно, повертаючи гвинт регулювання. Виконавши регулювання, міцно затягніть затискний гвинт, щоб закріпити основу.

► **Рис.1:** 1. Основа 2. Шкала 3. Виступ наконечника 4. Затискний гвинт 5. Гвинт регулювання

### Дія вмикача

**⚠ ОБЕРЕЖНО:** Перед тим як підключити інструмент до мережі, необхідно переконатися, що його вимкнено.

Щоб запустити інструмент, пересуньте важіль вмикача в положення «I». Щоб зупинити інструмент, пересуньте важіль вмикача в положення «O».

► **Рис.2:** 1. Важіль вмикача

### Електронні функції

Для полегшення роботи інструмент обладнано електронними функціями.

### Індикаторна лампа

► **Рис.3:** 1. Лампочка індикатора

Коли інструмент під'єднується до мережі, загоряється зелена індикаторна лампа. Якщо індикаторна лампа не загоряється, це може свідчити про несправність шнура живлення або контролера. Якщо індикаторна лампа горить, але інструмент не запускається, навіть якщо він увімкнений, це може свідчити про те, що графітові щітки зношені або контролер, мотор чи вмикач є несправним.

### Захист від випадкового запуску

Коли важіль перемикача перебуває в положенні I, інструмент не запуститься, навіть якщо його підключено до мережі.

У цьому випадку індикаторна лампа блимає червоним кольором, указуючи на спрацьовування пристрою, що захищає від випадкового запуску.

Щоб скасувати захист від випадкового запуску, поверніть важіль перемикача в положення O.

### Функція плавного запуску

Функція плавного запуску мінімізує ривок під час запуску й забезпечує плавний запуск інструмента.

## ЗБОРКА

**⚠ ОБЕРЕЖНО:** Перед виконанням будь-яких робіт з інструментом обов'язково вимкніть його та відключіть від електромережі.

### Установлення або зняття наконечника тримера

**⚠ ОБЕРЕЖНО:** Не затягуйте гайку патрона без встановленого наконечника тримера, інакше конус патрона може зламатися.

**⚠ ОБЕРЕЖНО:** Використовуйте тільки ключі, що входять до комплекту інструмента.

Вставте наконечник тримера в конус патрона до кінця та надійно затягніть гайку патрона за допомогою двох ключів. Щоб зняти наконечник, виконайте процедуру встановлення у зворотному порядку.

► **Рис.4:** 1. Відпустити 2. Затягнути 3. Утримувати

## РОБОТА

**⚠ ОБЕРЕЖНО:** Обов'язково міцно тримайте інструмент однією рукою за корпус. Не торкайтеся металевих деталей.

1. Установіть основу на деталь, яку потрібно різати, таким чином, щоб наконечник тримера її не торкався.
2. Увімкніть інструмент та зачекайте, поки наконечник тримера не набере повну швидкість.
3. Плавно просувайте інструмент уперед по робочій деталі, тримаючи основу врівень із поверхнею, до завершення різання.

► **Рис.5**

Під час зняття фасок поверхня деталі повинна бути розташована зліва від наконечника тримера в напрямку подачі.

► **Рис.6:** 1. Робоча деталь 2. Напрямок обертання наконечника 3. Вид зверху інструмента 4. Напрямок подачі

Під час використання прямої напрямної або напрямної тримера обов'язково встановлюйте її з правого боку в напрямку подачі. Це допоможе тримати її врівень з боковою поверхнею деталі.

► **Рис.7:** 1. Напрямок подачі 2. Напрямок обертання наконечника 3. Робоча деталь 4. Пряма напрямна

**ПРИМІТКА:** Якщо пересувати інструмент вперед занадто швидко, це може призвести до низької якості обробки або пошкодження наконечника тримера чи двигуна. Якщо пересувати інструмент вперед занадто повільно, це може призвести до обпикання або спотворення прорізу. Правильна швидкість подачі залежить від розміру наконечника тримера, типу деталі та глибини різання. Перед тим як починати різання робочої деталі, рекомендовано зробити пробний розріз на шматку з відходів. Це дасть можливість подивитись, як саме виглядатиме проріз, а також перевірити розміри.

## Напрямна шаблона

Напрямна шаблона має гільзу, крізь яку проходить наконечник тримера, що дає змогу використовувати тримера із шаблонами.

### ► Рис.8

1. Відпустіть затискний гвинт та зніміть тримач напрямної і відбивач тирси.

► **Рис.9:** 1. Затискний гвинт 2. Тримач напрямної 3. Відбивач тирси

2. Відпустіть гвинти та зніміть протектор основи.

► **Рис.10:** 1. Протектор основи 2. Гвинти

3. Установіть напрямну шаблона на основу та встановіть протектор основи на місце. Потім закріпіть протектор основи, затягнувши гвинти.

4. Закріпіть шаблон на деталі. Установіть інструмент на шаблон та пересувайте інструмент із напрямною шаблона вздовж бокової поверхні шаблона.

► **Рис.11:** 1. Наконечник тримера 2. Основа 3. Протектор основи 4. Шаблон 5. Робоча деталь 6. Напрямна шаблона

**ПРИМІТКА:** Розмір прорізу на деталі дещо відрізнятиметься від розміру шаблона. Зробіть поправку на відстань (X) між наконечником тримера та зовнішнім краєм напрямної шаблона. Відстань (X) можна розрахувати за такою формулою:

**Відстань (X) = (зовнішній діаметр напрямної шаблона - діаметр наконечника тримера) / 2**

## Пряма напрямна

Пряму напрямну зручно використовувати для прямої прорізів під час зняття фасок.

### ► Рис.12

1. Приєднайте напрямну планку до прямої напрямної за допомогою болта та крильчатої гайки.

► **Рис.13:** 1. Болт 2. Напрямна планка 3. Пряма напрямна 4. Крильчата гайка

2. Зніміть тримач напрямної та відбивач тирси, потім прикріпіть пряму напрямну за допомогою затискного гвинта.

► **Рис.14:** 1. Затискний гвинт 2. Пряма напрямна 3. Крильчата гайка 4. Основа

3. Відпустіть крильчасту гайку на прямій напрямній та відрегулюйте відстань між наконечником тримера та прямою напрямною. На потрібній відстані надійно затягніть гайку.

4. Під час різання рухайте інструмент таким чином, щоб пряма напрямна перебувала врівень із поверхнею деталі.

## Напрямна тримера

Обрізання, криволінійне різання меблевої фанери тощо легко виконувати за допомогою напрямної тримера. Напрямний ролик іде по кривій та забезпечує чисте різання.

### ► Рис.15

1. Закріпіть відбивач тирси в пазу на основі.

2. Установіть напрямну тримера та тримач напрямної на основу за допомогою затискного гвинта (А).

3. Відпустіть затискний гвинт (В) та відрегулюйте відстань між наконечником та напрямною тримера, повернувши гвинт регулювання (1 мм за поворот). На потрібній відстані затягніть затискний гвинт (В) та закріпіть на місці напрямну тримера.

► **Рис.16:** 1. Гвинт регулювання 2. Тримач напрямної 3. Напрямна тримера 4. Відбивач тирси

4. Під час різання рухайте інструмент так, щоб ролик напрямної йшов по боку робочої деталі.

► **Рис.17:** 1. Робоча деталь 2. Наконечник тримера 3. Напрямний ролик

## ТЕХНІЧНЕ ОБСЛУГОВУВАННЯ

**⚠ОБЕРЕЖНО:** Перед тим як проводити огляд або технічне обслуговування інструмента, переконайтеся, що його вимкнено і від'єднано від мережі.

**УВАГА:** Ніколи не використовуйте газолін, бензин, розріджувач, спирт та подібні речовини. Їх використання може призвести до зміни кольору, деформації або появи тріщин.

Для забезпечення БЕЗПЕКИ та НАДІЙНОСТІ продукції, її ремонт, а також роботи з обслуговування або регулювання повинні виконуватись уповноваженими або заводськими сервісними центрами Makita із використанням запчастин виробництва компанії Makita.

## Заміна вугільних щіток

► **Рис.18:** 1. Обмежувальна відмітка

Регулярно перевіряйте стан вугільних щіток. Замінійте їх, коли зношення сягає граничної відмітки. Вугільні щітки слід тримати чистими та незаблокованими, щоб вони могли заходити в тримачі. Обидві вугільні щітки слід замінити одночасно. Можна використовувати тільки ідентичні вугільні щітки.

1. Для виймання ковпачків щіткотримачів користуйтеся викруткою.

2. Зніміть зношені вугільні щітки, вставте нові та закріпіть ковпачки щіткотримачів.

► **Рис.19:** 1. Ковпачок щіткотримача

## ДОДАТКОВЕ ПРИЛАДДЯ

**⚠ ОБЕРЕЖНО:** Це додаткове та допоміжне обладнання рекомендовано використовувати з інструментом Makita, зазначеним у цій інструкції з експлуатації. Використання будь-якого іншого додаткового та допоміжного обладнання може становити небезпеку травмування. Використовуйте додаткове та допоміжне обладнання лише за призначенням.

У разі необхідності отримати допомогу в більш детальному ознайомленні з оснащенням звертайтеся до місцевого сервісного центру Makita.

**ПРИМІТКА:** Деякі елементи списку можуть входити до комплекту інструмента як стандартне приладдя. Вони можуть відрізнятися залежно від країни.

## Наконечники тримера

### Прямий наконечник

► Рис.20

D	A	L1	L2
6	20	50	15
1/4 дюйма			
6	8	50	18
1/4 дюйма			
6	6	50	18
1/4 дюйма			

Одиниці вимірювання: мм

### Наконечник для вирізання U-подібних пазів

► Рис.21

D	A	L1	L2	R
6	6	60	28	3
1/4 дюйма				

Одиниці вимірювання: мм

### Наконечник для вирізання V-подібних пазів

► Рис.22

D	A	L1	L2	θ
1/4 дюйма	20	50	15	90°

Одиниці вимірювання: мм

### Наконечник типа свердла для обрізання країв

► Рис.23

D	A	L1	L2	L3
6	6	60	18	28
1/4 дюйма				

Одиниці вимірювання: мм

### Наконечник типа свердла для подвійного обрізання країв

► Рис.24

D	A	L1	L2	L3	L4
6	6	70	40	12	14
1/4 дюйма					

Одиниці вимірювання: мм

### Наконечник для закруглення кутів

► Рис.25

D	A1	A2	L1	L2	L3	R
6	25	9	48	13	5	8
1/4 дюйма						
6	20	8	45	10	4	4
1/4 дюйма						

Одиниці вимірювання: мм

### Наконечник для зняття фасок

► Рис.26

D	A	L1	L2	L3	θ
6	23	46	11	6	30°
6	20	50	13	5	45°
6	20	49	14	2	60°

Одиниці вимірювання: мм

### Наконечник для скруглення країв із викружкою

► Рис.27

D	A	L1	L2	R
6	20	43	8	4
6	25	48	13	8

Одиниці вимірювання: мм

### Наконечник для обрізання країв із кульковим підшипником

► Рис.28

D	A	L1	L2
6	10	50	20
1/4 дюйма			

Одиниці вимірювання: мм

### Наконечник для закруглення кутів із кульковим підшипником

► Рис.29

D	A1	A2	L1	L2	L3	R
6	15	8	37	7	3,5	3
6	21	8	40	10	3,5	6
1/4 дюйма	21	8	40	10	3,5	6

Одиниці вимірювання: мм

**Наконечник для зняття фасок із кульковим підшипником**

► Рис.30

D	A1	A2	L1	L2	θ
6	26	8	42	12	45°
1/4 дойма					
6	20	8	41	11	60°

Одиниці вимірювання: мм

**Наконечник для скруглення країв із кульковим підшипником**

► Рис.31

D	A1	A2	A3	L1	L2	L3	R
6	20	12	8	40	10	5,5	4
6	26	12	8	42	12	4,5	7

Одиниці вимірювання: мм

**Наконечник для скруглення країв із викружкою із кульковим підшипником**

► Рис.32

D	A1	A2	A3	A4	L1	L2	L3	R
6	20	18	12	8	40	10	5,5	3
6	26	22	12	8	42	12	5	5

Одиниці вимірювання: мм

**Наконечник S-подібної форми з кульковим підшипником**

► Рис.33

D	A1	A2	L1	L2	L3	R1	R2
6	20	8	40	10	4,5	2,5	4,5
6	26	8	42	12	4,5	3	6

Одиниці вимірювання: мм

## ТЕХНИЧЕСКИЕ ХАРАКТЕРИСТИКИ

Модель:	3711
Размер цангового патрона	6,35 мм(1/4 дюйма) или 6,0 мм
Число оборотов без нагрузки	32 000 мин <sup>-1</sup>
Общая высота	211 мм
Масса нетто	1,5 кг
Класс безопасности	II/III

- Благодаря нашей постоянно действующей программе исследований и разработок указанные здесь технические характеристики могут быть изменены без предварительного уведомления.
- Технические характеристики могут различаться в зависимости от страны.
- Масса в соответствии с процедурой EPTA 01/2014

### Назначение

Этот инструмент предназначен для подрезания края листа из слоистого материала или аналогичных материалов.

### Источник питания

Данный инструмент должен подключаться к источнику питания с напряжением, соответствующим напряжению, указанному на идентификационной пластине, и может работать только от однофазного источника переменного тока. Он имеет двойную изоляцию и поэтому может подключаться к розеткам без заземления.

### Шум

Типичный уровень взвешенного звукового давления (A), измеренный в соответствии с 62841-2-17:  
 Уровень звукового давления (L<sub>рвА</sub>): 83 дБ (A)  
 Уровень звуковой мощности (L<sub>ввА</sub>): 94 дБ (A)  
 Погрешность (K): 3 дБ (A)

**ПРИМЕЧАНИЕ:** Заявленное значение распространения шума измерено в соответствии со стандартной методикой испытаний и может быть использовано для сравнения инструментов.

**ПРИМЕЧАНИЕ:** Заявленное значение распространения шума можно также использовать для предварительных оценок воздействия.

**⚠ОСТОРОЖНО:** Используйте средства защиты слуха.

**⚠ОСТОРОЖНО:** Распространение шума во время фактического использования электроинструмента может отличаться от заявленного значения в зависимости от способа применения инструмента и в особенности от типа обрабатываемой детали.

**⚠ОСТОРОЖНО:** Обязательно определите меры безопасности для защиты оператора, основанные на оценке воздействия в реальных условиях использования (с учетом всех этапов рабочего цикла, таких как выключение инструмента, работа без нагрузки и включение).

### Вибрация

Суммарное значение вибрации (сумма векторов по трем осям), определенное в соответствии с 62841-2-17:

Рабочий режим: вращение без нагрузки  
 Распространение вибрации (a<sub>н</sub>): 2,5 м/с<sup>2</sup> или менее  
 Погрешность (K): 1,5 м/с<sup>2</sup>

**ПРИМЕЧАНИЕ:** Заявленное общее значение распространения вибрации измерено в соответствии со стандартной методикой испытаний и может быть использовано для сравнения инструментов.

**ПРИМЕЧАНИЕ:** Заявленное общее значение распространения вибрации можно также использовать для предварительных оценок воздействия.

**⚠ОСТОРОЖНО:** Распространение вибрации во время фактического использования электроинструмента может отличаться от заявленного значения в зависимости от способа применения инструмента и в особенности от типа обрабатываемой детали.

**⚠ОСТОРОЖНО:** Обязательно определите меры безопасности для защиты оператора, основанные на оценке воздействия в реальных условиях использования (с учетом всех этапов рабочего цикла, таких как выключение инструмента, работа без нагрузки и включение).

### Декларация о соответствии ЕС

*Только для европейских стран*

Декларация о соответствии ЕС включена в руководство по эксплуатации (Приложение А).

# МЕРЫ БЕЗОПАСНОСТИ

## Общие рекомендации по технике безопасности для электроинструментов

**▲ОСТОРОЖНО:** Ознакомьтесь со всеми представленными инструкциями по технике безопасности, указаниями, иллюстрациями и техническими характеристиками, прилагаемыми к данному электроинструменту. Несоблюдение каких-либо инструкций, указанных ниже, может привести к поражению электрическим током, пожару и/или серьезной травме.

## Сохраните брошюру с инструкциями и рекомендациями для дальнейшего использования.

Термин "электроинструмент" в предупреждениях относится ко всему инструменту, работающему от сети (с проводом) или на аккумуляторах (без провода).

## Правила техники безопасности при эксплуатации триммера

1. При выполнении работ существует риск контакта фрезы со шнуром питания, в связи с чем электроинструмент следует держать только за специальные изолированные поверхности. В случае разрезания находящегося под напряжением провода напряжение может передаваться на металлические части инструмента, что станет причиной поражения оператора током.
2. Для фиксации разрезаемой детали на устойчивой поверхности используйте зажимы или другие соответствующие приспособления. Никогда не держите распиливаемые детали в руках и не прижимайте их к телу, так как это не обеспечит устойчивого положения детали и может привести к потере контроля над инструментом.
3. Хвостовик фрезы для триммера должен подходить к имеющемуся цанговому патрону.
4. Используйте только фрезу для триммера, которая рассчитана, как минимум, на максимальную указанную на инструменте рабочую частоту.
5. В случае длительной эксплуатации инструмента используйте средства защиты слуха.
6. Аккуратно обращайтесь с фрезой для триммера.
7. Перед эксплуатацией тщательно осмотрите фрезу для триммера и убедитесь в отсутствии трещин или повреждений. Немедленно замените треснувшую или поврежденную фрезу.

8. Избегайте попадания режущего инструмента на гвозди. Перед выполнением работ осмотрите деталь и удалите из нее все гвозди.
9. Крепко держите инструмент.
10. Руки должны находиться на расстоянии от вращающихся деталей.
11. Перед включением выключателя убедитесь, что фреза для триммера не касается детали.
12. Перед использованием инструмента на реальной детали дайте ему немного поработать вхолостую. Убедитесь в отсутствии вибрации или биения, которые могут свидетельствовать о неправильной установке фрезы.
13. Помните о направлении вращения фрезы для триммера и направлении ее подачи.
14. Не оставляйте работающий инструмент без присмотра. Включайте инструмент только тогда, когда он находится в руках.
15. Перед извлечением инструмента из детали всегда выключайте его и ждите, пока фреза полностью остановится.
16. Сразу после окончания работ не прикасайтесь к фрезе. Она может быть очень горячей, что приведет к ожогам кожи.
17. Не допускайте попадания на основание растворителя, бензина, масла или схожих веществ по неосторожности. Они могут стать причиной растрескивания основания.
18. Некоторые материалы могут содержать токсичные химические вещества. Примите соответствующие меры предосторожности, чтобы избежать вдыхания или контакта с кожей таких веществ. Соблюдайте требования, указанные в паспорте безопасности материала.
19. Обязательно используйте соответствующую пылезащитную маску/респиратор для защиты дыхательных путей от пыли разрезаемых материалов.
20. Установите инструмент на устойчивую поверхность. В противном случае инструмент может упасть и причинить травму.

## СОХРАНИТЕ ДАННЫЕ ИНСТРУКЦИИ.

**▲ОСТОРОЖНО:** НЕ ДОПУСКАЙТЕ, чтобы удобство или опыт эксплуатации данного устройства (полученный от многократного использования) доминировали над строгим соблюдением правил техники безопасности при обращении с этим устройством. НЕПРАВИЛЬНОЕ ИСПОЛЬЗОВАНИЕ инструмента или несоблюдение правил техники безопасности, указанных в данном руководстве, может привести к тяжелой травме.



## ОПИСАНИЕ РАБОТЫ

**▲ВНИМАНИЕ:** Перед регулировкой или проверкой функций инструмента обязательно убедитесь, что он выключен и его вилка вынута из розетки.

### Регулировка выступа фрезы для триммера

Для настройки выступа фрезы ослабьте зажимной винт и переместите основание вверх или вниз по необходимости, поворачивая регулировочный винт. После завершения регулировки полностью затяните зажимной винт, чтобы зафиксировать основание.

► **Рис.1:** 1. Основание 2. Шкала 3. Выступ фрезы 4. Зажимной винт 5. Регулировочный винт

### Действие выключателя

**▲ВНИМАНИЕ:** Прежде чем вставить штекер инструмента в розетку, всегда проверяйте, что инструмент отключен.

Чтобы включить инструмент, переведите рычаг переключателя в положение "I". Чтобы выключить инструмент, переведите рычаг переключателя в положение "O".

► **Рис.2:** 1. Рычаг переключателя

### Электронная функция

Для простоты эксплуатации инструмент оснащен электронными функциями.

### Индикаторная лампа

► **Рис.3:** 1. Индикаторная лампа

При подключении инструмента к сети питания загорается зеленая индикаторная лампа. Если индикаторная лампа не загорается, это свидетельствует о неисправности сетевого шнура или контроллера. Если индикаторная лампа горит, а инструмент не включается даже при нажатом выключателе, это свидетельствует либо об износе угольных щеток, либо о неисправности контроллера, электродвигателя или переключателя ВКЛ/ВЫКЛ.

### Защита от случайного включения

При установке рычага переключателя в положение I инструмент не запускается, даже если он подключен к сети питания.

В это время индикаторная лампа будет мигать красным, указывая на то, что активировано устройство защиты от случайного включения.

Для отключения защиты от случайного включения верните переключатель в положение O.

### Функция плавного запуска

Функция плавного запуска уменьшает пусковой удар и обеспечивает плавность запуска инструмента.

## СБОРКА

**▲ВНИМАНИЕ:** Перед проведением каких-либо работ с инструментом обязательно проверяйте, что инструмент выключен, а шнур питания вынут из розетки.

### Установка или снятие фрезы для триммера

**▲ВНИМАНИЕ:** Не затягивайте цанговую гайку, не вставив фрезу для триммера, иначе цанговый конус сломается.

**▲ВНИМАНИЕ:** Пользуйтесь только ключами, поставляемыми вместе с инструментом.

Вставьте фрезу до конца в цанговый конус и крепко затяните цанговую гайку с помощью двух ключей. Чтобы снять фрезу, выполните действие по установке в обратной последовательности.

► **Рис.4:** 1. Ослабить 2. Затянуть 3. Держите

## ЭКСПЛУАТАЦИЯ

**▲ВНИМАНИЕ:** Всегда крепко держите инструмент, положив одну руку на корпус. Не касайтесь металлических деталей.

1. Установите основание на распиливаемую деталь так, чтобы фреза для триммера не касалась детали.
  2. Включите инструмент и дождитесь, пока фреза наберет полную скорость.
  3. Затем перемещайте инструмент вперед по поверхности, прижимая основание к детали и аккуратно двигая его вперед до завершения процесса резки.
- **Рис.5**

При осуществлении резки кромки, поверхность обрабатываемой детали должна находиться слева от фрезы в направлении подачи.

► **Рис.6:** 1. Обрабатываемая деталь 2. Направление вращения фрезы 3. Вид сверху инструмента 4. Направление подачи

При использовании прямой направляющей или кромкообрезной направляющей обязательно располагайте ее справа по направлению подачи. Это поможет удерживать ее заподлицо с боковой стороной обрабатываемой детали.

► **Рис.7:** 1. Направление подачи 2. Направление вращения фрезы 3. Обрабатываемая деталь 4. Прямая направляющая

**ПРИМЕЧАНИЕ:** Слишком быстрое перемещение инструмента вперед может ухудшить качество резки или повредить фрезу для триммера или двигатель. Слишком медленное перемещение инструмента вперед может привести к сжиганию и порче выреза. Надлежащая скорость подачи будет зависеть от размера фрезы, типа обрабатываемой детали и глубины резки. Перед осуществлением резки на фактической обрабатываемой детали, рекомендуется сделать пробный вырез на куске ненужного пиломатериала. Это позволит точно узнать, как будет выглядеть вырез, а также проверить размеры.

## Профильная направляющая

Профильная направляющая оснащена втулкой, через которую проходит фреза, что позволяет использовать триммер с профильными шаблонами.

► **Рис.8**

1. Ослабьте зажимной винт и снимите держатель направляющей и отражатель опилок.  
► **Рис.9:** 1. Зажимной винт 2. Держатель направляющей 3. Отражатель опилок
2. Отверните винты и снимите защиту основания.  
► **Рис.10:** 1. Защита основания 2. Винты
3. Установите профильную направляющую на основание и установите защиту на место. Затем затяните винты для фиксации защиты основания.
4. Прикрепите профиль к обрабатываемой детали. Установите инструмент на профиль и перемещайте его, продвигая профильную направляющую вдоль боковой стороны профиля.  
► **Рис.11:** 1. Фреза для триммера 2. Основание 3. Защита основания 4. Профиль 5. Обрабатываемая деталь 6. Профильная направляющая

**ПРИМЕЧАНИЕ:** Размер вырезанной обрабатываемой детали будет немного отличаться от размера профиля. Обеспечьте расстояние (X) между фрезой и внешней стороной профильной направляющей. Расстояние (X) можно вычислить при помощи следующего уравнения:

**Расстояние (X) = (наружный диаметр профильной направляющей - диаметр фрезы для триммера) / 2**

## Прямая направляющая

Прямая направляющая эффективно используется для осуществления прямых вырезов при снятии фасок.

► **Рис.12**

1. Соедините направляющую пластину с прямой направляющей при помощи болта с барашковой гайкой.  
► **Рис.13:** 1. Болт 2. Направляющая пластина 3. Прямая направляющая 4. Барашковая гайка
2. Снимите держатель направляющей и отражатель опилок. Затем с помощью зажимного винта установите прямую направляющую.  
► **Рис.14:** 1. Зажимной винт 2. Прямая направляющая 3. Барашковая гайка 4. Основание
3. Ослабьте барашковую гайку на прямой направляющей и отрегулируйте расстояние между фрезой и прямой направляющей. Надежно затяните барашковую гайку на необходимом расстоянии.
4. При резке перемещайте инструмент, держа прямую направляющую заподлицо с боковой стороны обрабатываемой детали.

## Кромкообрезная направляющая

Резка кромок и изогнутых линий по облицовочным панелям мебели и прочие подобные работы можно выполнять с помощью кромкообрезной направляющей. Направляющий ролик перемещается по кривой и гарантирует аккуратную резку.

► **Рис.15**

1. Закрепите отражатель опилок в пазу основания.
2. Установите кромкообрезную направляющую и держатель направляющей на основание с помощью зажимного винта (А).
3. Ослабьте зажимной винт (В) и отрегулируйте зазор между фрезой для триммера и кромкообрезную направляющую, повернув регулировочный винт (1 мм на оборот). Отрегулировав необходимый зазор, затяните зажимной винт (В), чтобы зафиксировать кромкообрезную направляющую.  
► **Рис.16:** 1. Регулировочный винт 2. Держатель направляющей 3. Кромкообрезная направляющая 4. Отражатель опилок
4. При резке перемещайте инструмент так, чтобы направляющий ролик перемещался по боковой стороне обрабатываемой детали.  
► **Рис.17:** 1. Обрабатываемая деталь 2. Фреза для триммера 3. Направляющий ролик

## ОБСЛУЖИВАНИЕ

**⚠ВНИМАНИЕ:** Перед проверкой или проведением техобслуживания убедитесь, что инструмент выключен, а штекер отсоединен от розетки.

**ПРИМЕЧАНИЕ:** Запрещается использовать бензин, растворители, спирт и другие подобные жидкости. Это может привести к обесцвечиванию, деформации и трещинам.

Для обеспечения БЕЗОПАСНОСТИ и НАДЕЖНОСТИ оборудования ремонт, любое другое техобслуживание или регулировку необходимо производить в уполномоченных сервис-центрах Makita или сервис-центрах предприятия с использованием только сменных частей производства Makita.

## Замена угольных щеток

► **Рис.18:** 1. Ограничительная метка

Регулярно проверяйте угольные щетки. Замените, когда износ достигнет ограничительной метки. Угольные щетки всегда должны быть чистыми и свободно перемещаться в держателях. Заменяйте обе угольные щетки одновременно. Используйте только идентичные угольные щетки.

1. Используйте отвертку для снятия колпачков держателей щеток.
2. Извлеките изношенные угольные щетки, вставьте новые и закрутите колпачки держателей щеток.  
► **Рис.19:** 1. Колпачок держателя щетки

# ДОПОЛНИТЕЛЬНЫЕ ПРИНАДЛЕЖНОСТИ

**ВНИМАНИЕ:** Данные принадлежности или приспособления рекомендуются для использования с инструментом Makita, указанным в настоящем руководстве. Использование других принадлежностей или приспособлений может привести к получению травмы. Используйте принадлежность или приспособление только по указанному назначению.

Если вам необходимо содействие в получении дополнительной информации по этим принадлежностям, свяжитесь с вашим сервис-центром Makita.

**ПРИМЕЧАНИЕ:** Некоторые элементы списка могут входить в комплект инструмента в качестве стандартных приспособлений. Они могут отличаться в зависимости от страны.

## Фрезы для триммера

### Прямая фреза

#### ► Рис.20

D	A	L1	L2
6	20	50	15
1/4 дюйма			
6	8	50	18
1/4 дюйма			
6	6	50	18
1/4 дюйма			

Единица: мм

### U-образная фреза

#### ► Рис.21

D	A	L1	L2	R
6	6	60	28	3
1/4 дюйма				

Единица: мм

### V-образная фреза

#### ► Рис.22

D	A	L1	L2	θ
1/4 дюйма	20	50	15	90°

Единица: мм

### Фреза для обрезки кромок точек сверления заподлицо

#### ► Рис.23

D	A	L1	L2	L3
6	6	60	18	28
1/4 дюйма				

Единица: мм

### Фреза для двойной обрезки кромок точек сверления заподлицо

#### ► Рис.24

D	A	L1	L2	L3	L4
6	6	70	40	12	14
1/4 дюйма					

Единица: мм

### Фреза для закругления углов

#### ► Рис.25

D	A1	A2	L1	L2	L3	R
6	25	9	48	13	5	8
1/4 дюйма						
6	20	8	45	10	4	4
1/4 дюйма						

Единица: мм

### Фреза для снятия фасок

#### ► Рис.26

D	A	L1	L2	L3	θ
6	23	46	11	6	30°
6	20	50	13	5	45°
6	20	49	14	2	60°

Единица: мм

### Фреза для выкружки

#### ► Рис.27

D	A	L1	L2	R
6	20	43	8	4
6	25	48	13	8

Единица: мм

### Подшипниковая фреза для обрезки кромок заподлицо

#### ► Рис.28

D	A	L1	L2
6	10	50	20
1/4 дюйма			

Единица: мм

### Подшипниковая фреза для закругления углов

#### ► Рис.29

D	A1	A2	L1	L2	L3	R
6	15	8	37	7	3,5	3
6	21	8	40	10	3,5	6
1/4 дюйма	21	8	40	10	3,5	6

Единица: мм

**Подшипниковая фреза для снятия фасок****► Рис.30**

D	A1	A2	L1	L2	θ
6	26	8	42	12	45°
1/4 дюйма					
6	20	8	41	11	60°

Единица: мм

**Подшипниковая фреза для забортовки****► Рис.31**

D	A1	A2	A3	L1	L2	L3	R
6	20	12	8	40	10	5,5	4
6	26	12	8	42	12	4,5	7

Единица: мм

**Подшипниковая фреза для выкружки****► Рис.32**

D	A1	A2	A3	A4	L1	L2	L3	R
6	20	18	12	8	40	10	5,5	3
6	26	22	12	8	42	12	5	5

Единица: мм

**Подшипниковая фреза для S-образного профиля****► Рис.33**

D	A1	A2	L1	L2	L3	R1	R2
6	20	8	40	10	4,5	2,5	4,5
6	26	8	42	12	4,5	3	6

Единица: мм

**Makita Europe N.V.** Jan-Baptist Vinkstraat 2,  
3070 Kortenberg, Belgium

**Makita Corporation** 3-11-8, Sumiyoshi-cho,  
Anjo, Aichi 446-8502 Japan

[www.makita.com](http://www.makita.com)

885894-963  
EN, SL, SQ, BG,  
HR, MK, SR, RO,  
UK, RU  
20210222