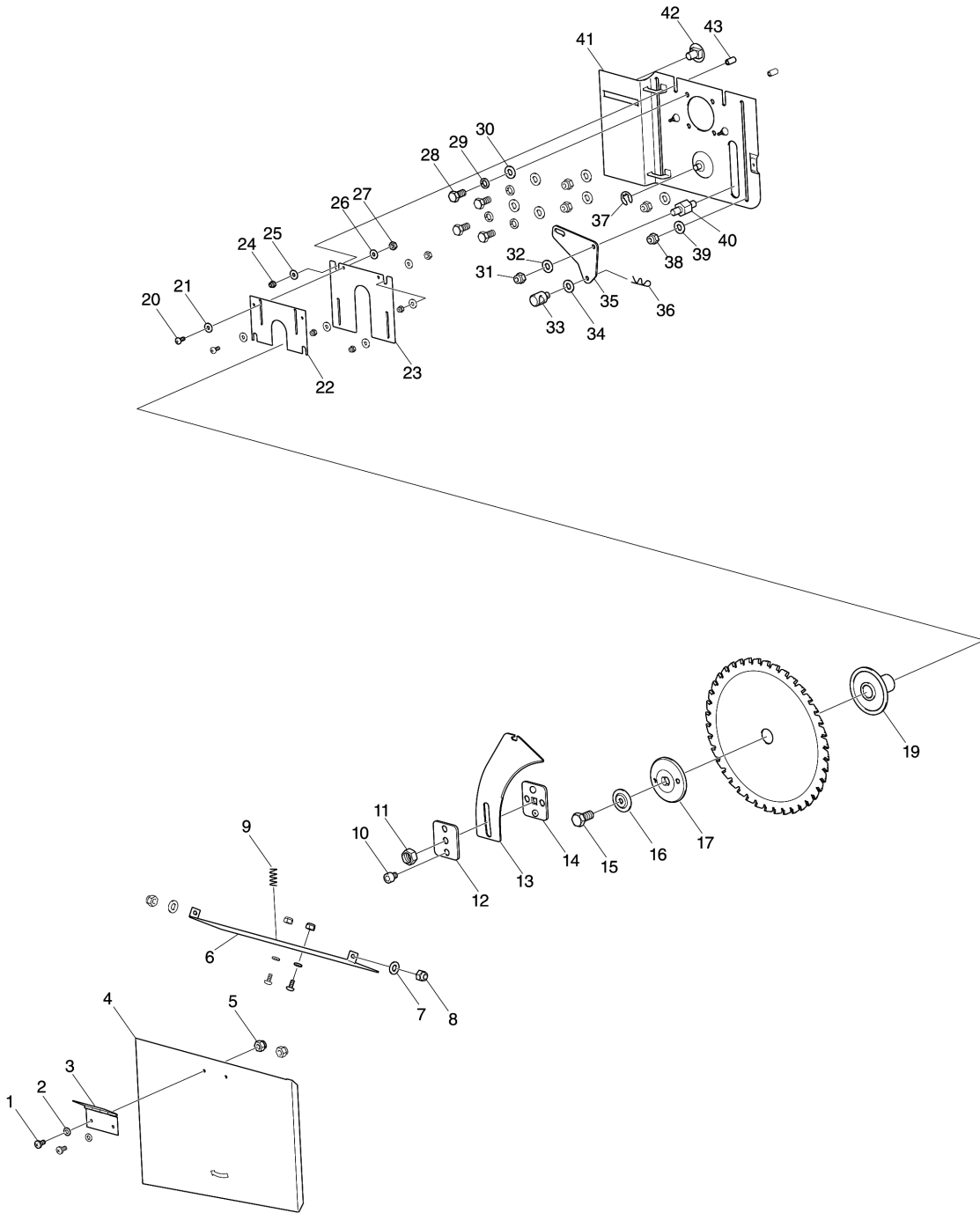
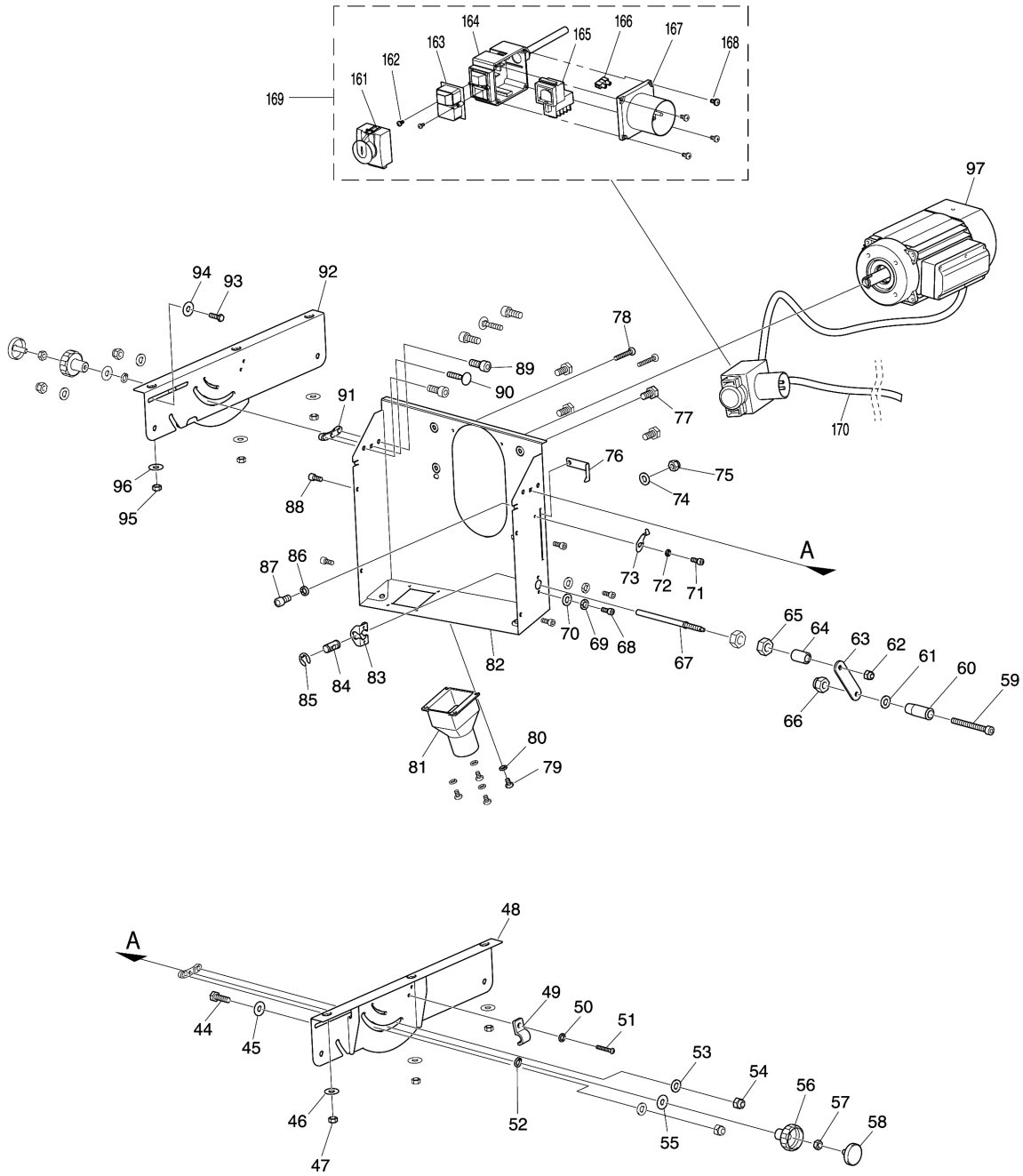


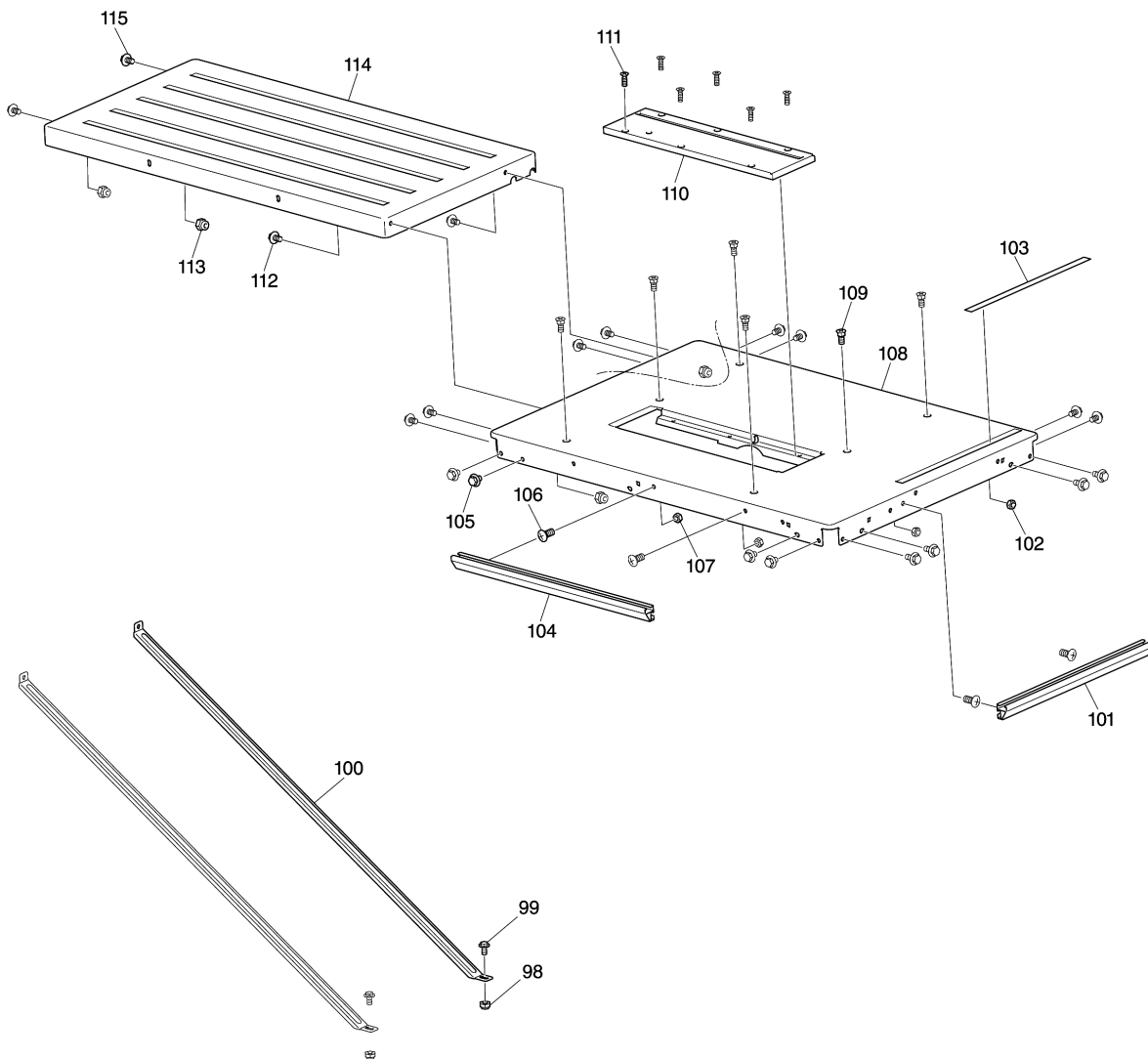
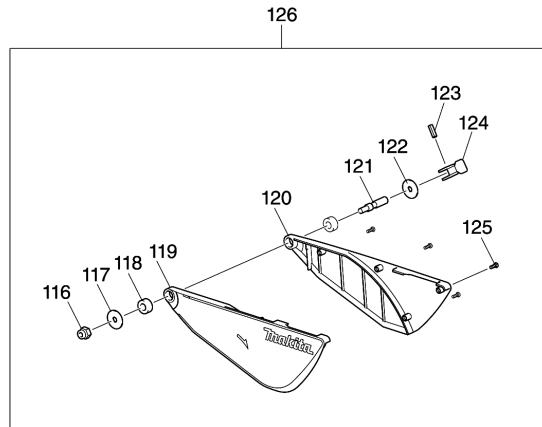
Model No.2712 315MM TABLE SAW



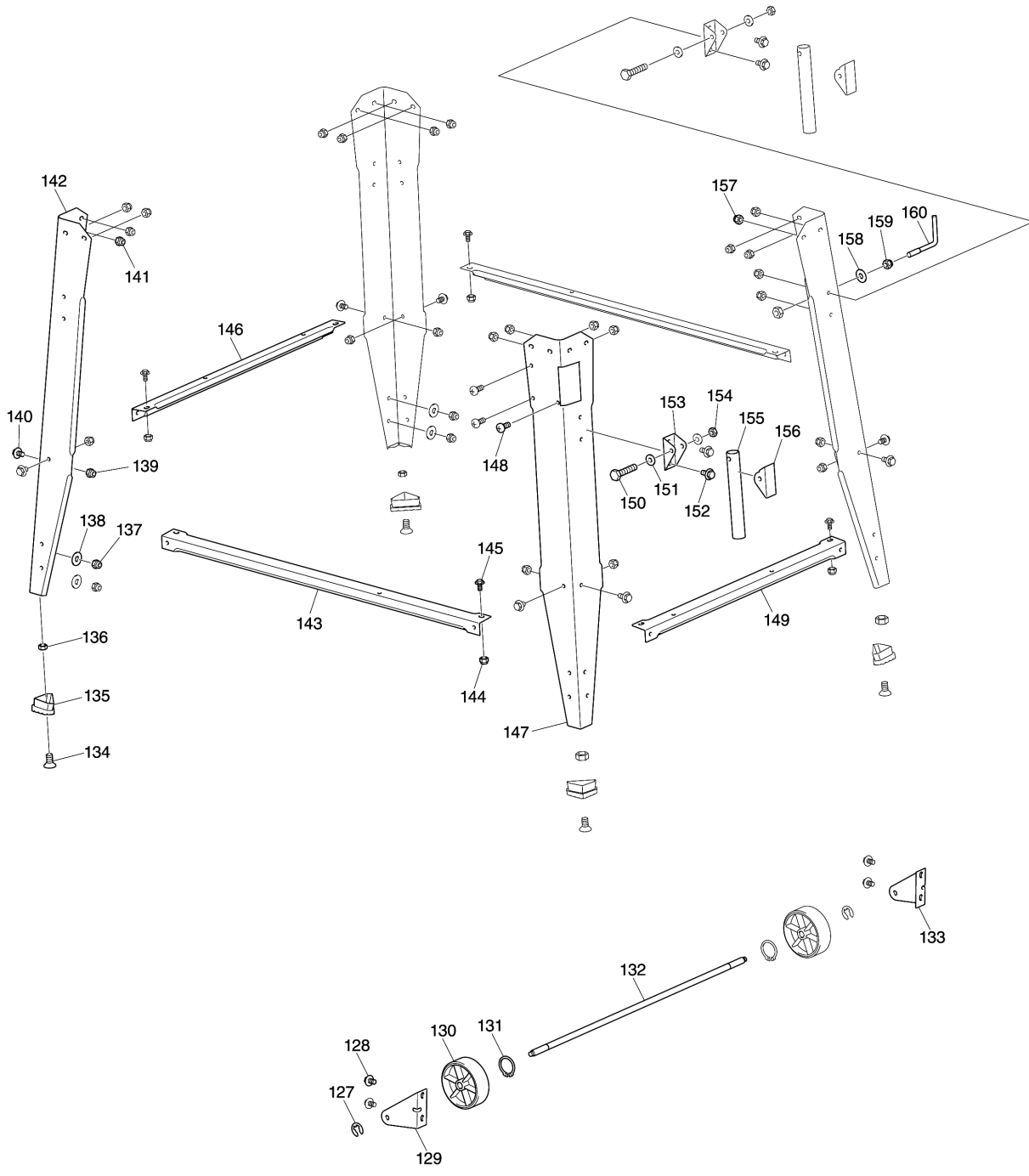
Model No.2712 315MM TABLE SAW



Model No.2712 315MM TABLE SAW



Model No.2712 315MM TABLE SAW



Model No.2712 315MM TABLE SAW

Položaj	Številka dela	Opis	Sprememba	Količina	New/Old	Opcijsko 1	Opcijsko 2	Opomba
001	JM27100031	PAN HEAD SCREW M5X10		4	*			
001-1	JM27100031	PAN HEAD SCREW M5X10	O	2				
002	JM27100032	FLAT WASHER 5		4	*			
002-1	JM27100032	FLAT WASHER 5	O	2				
003	JM27100033	HINGE		1				
004	JM27110001	BLADE CASE COVER		1	*			
C10	JM27180024	MAKITA LOGO LABEL		1	*			
004-1	JM27110001	BLADE CASE COVER	O	1				
C10	JM27180024	MAKITA LOGO LABEL		1	*			
005	JM27100111	HEX LOCK NUT M5		4	*			
005-1	JM27100111	HEX LOCK NUT M5	O	2				
006	JM27100035	FLAP PROTECTOR		1	*			
006-1	JM27100035	FLAP PROTECTOR	O	1				
007	JM27100018	FLAT WASHER 6		2	*			
007-1	JM27100132	FLAT WASHER 6 (L)	X	1				
008	JM27100016	HEX LOCK NUT M6		2	*			
008-1	JM27100016	HEX LOCK NUT M6	O	1				
009	JM27100036	TENSION SPRING		1	*			
009-1	JM27100036	TENSION SPRING	O	1				
010	JM27100104	HEX SOCKET HEAD BOLT M6X6		1	*			
010-1	JM27100104	HEX SOCKET HEAD BOLT M6X6	O	1				
011	JM27100037	HEX LOCK NUT M12		1	*			
011-1	JM27100037	HEX LOCK NUT M12	O	1				
012	JM27100038	RIVING KNIFE FIX PLATE OUTER		1	*			
012-1	JM27100038	RIVING KNIFE FIX PLATE OUTER	O	1				
013	JM27100039	RIVING KNIFE		1				
014	JM27100040	RIVING KNIFE FIX PLATE INNER		1	*			
014-1	JM27100040	RIVING KNIFE FIX PLATE INNER	O	1				
015	JM27100111	HEX LOCK NUT M5		1	*			
015-1	JM27100041	HEX FLANGE BOLT M10X20 LH	X	1	*			
015-2	JM27100041	HEX FLANGE BOLT M10X20 LH	O	1				
016	JM27100041	HEX FLANGE BOLT M10X20 LH		1	*			
016-1	JM27100042	CLAMP WASHER 30	X	1	*			
016-2	JM27100042	CLAMP WASHER 30	O	1				
017	JM27100042	CLAMP WASHER 30		1	*			
017-1	JM27100043	OUTER FLANGE 79	X	1	*			
017-2	JM27100043	OUTER FLANGE 79	O	1				
019	JM27100044	INNER FLANGE 79-30		1	*			

Model No.2712 315MM TABLE SAW

Položaj	Številka dela	Opis	Sprememba	Količina	New/Old	Opcijsko 1	Opcijsko 2	Opomba
019-1	JM27100044	INNER FLANGE 79-30	O	1				
020	JM27100047	PAN HEAD SCREW M4X12		2	*			
020-1	JM27100047	PAN HEAD SCREW M4X12	O	2				
021	JM27100046	FLAT WASHER 4(L)		2	*			
021-1	JM27100046	FLAT WASHER 4(L)	O	2				
022	JM27100048	SIDE PROTECTION SMALL		1	*			
022-1	JM27100048	SIDE PROTECTION SMALL	O	1				
023	JM27100049	SIDE PROTECTION LARGE		1	*			
023-1	JM27100049	SIDE PROTECTION LARGE	O	1				
024	JM27100045	HEX LOCK NUT M4		4	*			
024-1	JM27100045	HEX LOCK NUT M4	O	2				
025	JM27100046	FLAT WASHER 4(L)		4	*			
025-1	JM27100046	FLAT WASHER 4(L)	O	2				
026	JM27100046	FLAT WASHER 4(L)		2	*			
026-1	JM27100046	FLAT WASHER 4(L)	O	2				
027	JM27100045	HEX LOCK NUT M4		2	*			
027-1	JM27100045	HEX LOCK NUT M4	O	2				
028	JM27100050	HEX BOLT M8X16		4	*			
028-1	JM27100050	HEX BOLT M8X16	O	4				
029	JM27100051	SPRING WASHER 8		4	*			
030	JM27100052	FLAT WASHER 8		4	*			
030-1	JM00000370	FLAT WASHER 8 (L)	X	4				
031	JM27100053	HEX LOCK NUT M8		1	*			
031-1	JM27100053	HEX LOCK NUT M8	O	1				
032	JM27100054	FLAT WASHER 8		1				
033	JM27100055	BLADE HEIGHT ADJUSTING NUT M10		1	*			
033-1	JM27100055	BLADE HEIGHT ADJUSTING NUT M10	O	1				
034	JM27100106	FLAT WASHER 8		1				
035	JM27100057	ADJUSTING PLATE		1				
036	JM27100056	R PIN 8		1	*			
036-1	JM27100056	R PIN 8	O	1				
037	JM27100025	RETAINING RING S-10		1	*			
037-1	JM27100025	RETAINING RING S-10	O	1				
038	JM27100053	HEX LOCK NUT M8		4	*			
038-1	JM27100053	HEX LOCK NUT M8	O	4				
039	JM27100052	FLAT WASHER 8		4	*			
039-1	JM00000370	FLAT WASHER 8 (L)	X	4				
040	JM27100058	DOUBLE THREAD BOLT M8X14		1	*			
040-1	JM27100058	DOUBLE THREAD BOLT M8X14	O	1				
041	JM27100072	LIFTING FRAME		1				

Model No.2712 315MM TABLE SAW

Položaj	Številka dela	Opis	Sprememba	Količina	New/Old	Opcijsko 1	Opcijsko 2	Opomba
042	JM27100073	SQUARE NECK BOLT M12X20		1	*			
042-1	JM27100073	SQUARE NECK BOLT M12X20	O	1				
043	JM27100059	SLEEVE 7X4X13		2	*			
043-1	JM27100059	SLEEVE 7X4X13	O	2				
044	JM27100011	HEX BOLT M6X12		1	*			
044-1	JM27100011	HEX BOLT M6X12	O	1				
045	JM27100018	FLAT WASHER 6		1	*			
045-1	JM27100132	FLAT WASHER 6 (L)	X	1				
046	JM27100018	FLAT WASHER 6		3	*			
046-1	JM27100132	FLAT WASHER 6 (L)	X	1				
047	JM27100016	HEX LOCK NUT M6		3	*			
047-1	JM27100016	HEX LOCK NUT M6	O	1				
048	JM27100080	ANGLE SUPPORT PLATE FRONT		1	*			
048-1	JM27100080	ANGLE SUPPORT PLATE FRONT	O	1				
049	JM27100078	CORD CLAMP		1				
050	JM27100032	FLAT WASHER 5		1				
051	JM27100031	PAN HEAD SCREW M5X10		1	*			
051-1	JM27100031	PAN HEAD SCREW M5X10	O	1				
052	JM27100079	E SHAPE RETAINING RING 4		2	*			
052-1	JM27100079	E SHAPE RETAINING RING 4	O	1				
053	JM27100052	FLAT WASHER 8		4	*			
053-1	JM00000370	FLAT WASHER 8 (L)	X	2				
054	JM27100053	HEX LOCK NUT M8		4	*			
054-1	JM27100053	HEX LOCK NUT M8	O	2				
055	JM27100018	FLAT WASHER 6		2	*			
055-1	JM27100132	FLAT WASHER 6 (L)	X	1				
056	JM27100077	KNOB		2	*			
056-1	JM27100077	KNOB	O	1				
057	JM27100108	HEX NUT M6		2	*			
057-1	JM27100108	HEX NUT M6	O	1				
058	JM27100076	KNOB CAP		2	*			
058-1	JM27100076	KNOB CAP	O	1				
059	JM27100066	HEX SOCKET HEAD BOLT M8X60		1	*			
059-1	JM27100066	HEX SOCKET HEAD BOLT M8X60	O	1				
060	JM27100067	CRANK LEVER		1	*			
060-1	JM27100067	CRANK LEVER	O	1	*			
060-2	JM27100067	CRANK LEVER	O	1				
061	JM27100054	FLAT WASHER 8		1				
062	JM27100016	HEX LOCK NUT M6		1	*			

Model No.2712 315MM TABLE SAW

Položaj	Številka dela	Opis	Sprememba	Količina	New/Old	Opcijsko 1	Opcijsko 2	Opomba
062-1	JM27100016	HEX LOCK NUT M6	O	1				
063	JM27100068	CRANK LEVER		1	*			
063-1	JM27100068	CRANK LEVER	O	1				
064	JM27100069	SLEEVE 14X9X22		1	*			
064-1	JM27100069	SLEEVE 14X9X22	O	1				
065	JM27100070	HEX NUT M10		2	*			
065-1	JM27100070	HEX NUT M10	O	1				
066	JM27100053	HEX LOCK NUT M8		1				
067	JM27100071	LIFTING ADJUSTING ROD M10		1	*			
067-1	JM27100071	LIFTING ADJUSTING ROD M10	O	1				
068	JM27100109	HEX SOCKET HEAD BOLT M5X10		2	*			
068-1	JM27100109	HEX SOCKET HEAD BOLT M5X10	O	2				
069	JM27100065	SPRING WASHER 5		2				
070	JM27100032	FLAT WASHER 5		2				
071	JM27100109	HEX SOCKET HEAD BOLT M5X10		1	*			
071-1	JM27100109	HEX SOCKET HEAD BOLT M5X10	O	1				
072	JM27100065	SPRING WASHER 5		1				
073	JM27100082	POINTER (BLADE ANGLE)		1	*			
073-1	JM27100082	POINTER (BLADE ANGLE)	O	1				
074	JM27100054	FLAT WASHER 8		1				
075	JM27100020	HEX NUT M8		1				
076	JM27100083	POINTER (BLADE HEIGHT)		1	*			
076-1	JM27100083	POINTER (BLADE HEIGHT)	O	1				
077	JM27100050	HEX BOLT M8X16		4	*			
077-1	JM27100050	HEX BOLT M8X16	O	4				
078	JM27100107	PAN HEAD SCREW M4X25		2	*			
078-1	JM27100107	PAN HEAD SCREW M4X25	O	2				
079	JM27100031	PAN HEAD SCREW M5X10		4	*			
079-1	JM27100031	PAN HEAD SCREW M5X10	O	4				
080	JM27100032	FLAT WASHER 5		4				
081	JM27100063	DUST PORT		1				
082	JM27110002	BLADE CASE COMPLETE		1	*			
C10	JM27180025	MAKITA LOGO LABEL		1	*			
082-1	JM27110002	BLADE CASE COMPLETE	O	1				
C10	JM27180025	MAKITA LOGO LABEL		1	*			
083	JM27100062	PIVOT PIN SUPPORT		1	*			
083-1	JM27100062	PIVOT PIN SUPPORT	O	1				
084	JM27100061	BLADE HEIGHT ADJUST PIVOT PIN		1	*			
084-1	JM27100061	BLADE HEIGHT ADJUST PIVOT PIN	O	1				

Model No.2712 315MM TABLE SAW

Položaj	Številka dela	Opis	Sprememba	Količina	New/Old	Opcijsko 1	Opcijsko 2	Opomba
085	JM27100060	E SHAPE RETAINING RING 12		1	*			
085-1	JM27100060	E SHAPE RETAINING RING 12	O	1				
086	JM27100065	SPRING WASHER 5		1				
087	JM27100109	HEX SOCKET HEAD BOLT M5X10		1	*			
087-1	JM27100109	HEX SOCKET HEAD BOLT M5X10	O	1				
088	JM27100110	HEX SOCKET HEAD BOLT M4X6		4	*			
088-1	JM27100110	HEX SOCKET HEAD BOLT M4X6	O	2				
089	JM27100074	SPECIAL HEX SOCKET BOLT M8X20		4	*			
089-1	JM27100074	SPECIAL HEX SOCKET BOLT M8X20	O	2				
090	JM27100075	SQUARE NECK BOLT M6X30		2	*			
090-1	JM27100075	SQUARE NECK BOLT M6X30	O	1				
091	JM27100081	SLIDING BLOCK		2	*			
091-1	JM27100081	SLIDING BLOCK	O	1				
092	JM27100084	ANGLE SUPPORT PLATE REAR		1	*			
092-1	JM27100084	ANGLE SUPPORT PLATE REAR	O	1				
093	JM27100011	HEX BOLT M6X12		1	*			
093-1	JM27100011	HEX BOLT M6X12	O	1				
094	JM27100018	FLAT WASHER 6		1	*			
094-1	JM27100132	FLAT WASHER 6 (L)	X	1				
095	JM27100016	HEX LOCK NUT M6		3	*			
095-1	JM27100016	HEX LOCK NUT M6	O	1				
096	JM27100018	FLAT WASHER 6		3	*			
096-1	JM27100132	FLAT WASHER 6 (L)	X	1				
097	JM27100001	MOTOR ASSY HV		1	*			
097-1	JM27100001	MOTOR ASSY HV	O	1	*			
C10	JM27100153	CIRCUIT BREAKER,HV		1	*			
097-2	JM27100157	MOTOR ASSY HV	<	1				
C10	JM27100153	CIRCUIT BREAKER,HV		1	*			
C20	JM27100159	CAPACITOR 20 MICRO F		1	*			
D10		INC. 169,203-215						
098	JM27100016	HEX LOCK NUT M6		4	*			
098-1	JM27100016	HEX LOCK NUT M6	O	2				
099	JM27100131	HEX BOLT M6X12 W/FLAT WASHER		2	*			
099-1	JM27100131	HEX BOLT M6X12 W/FLAT WASHER	O	2				
100	JM27100089	SUPPORT ROD		2				
101	JM27100101	MITER GAUGE RAIL L=38CM		1	*			

Model No.2712 315MM TABLE SAW

Položaj	Številka dela	Opis	Sprememba	Količina	New/Old	Opcijsko 1	Opcijsko 2	Opomba
101-1	JM27100101	MITER GAUGE RAIL L=38CM	O	1				
102	JM27100016	HEX LOCK NUT M6		2	*			
102-1	JM27100016	HEX LOCK NUT M6	O	2				
103	JM27100100	SCALE LABEL		1				
104	JM27100085	MITER GAUGE RAIL L=45CM		1	*			
104-1	JM27100085	MITER GAUGE RAIL L=45CM	O	1				
105	JM27100131	HEX BOLT M6X12 W/FLAT WASHER		16	*			
105-1	JM27100131	HEX BOLT M6X12 W/FLAT WASHER	O	2				
106	JM27100086	PAN H SQUARE NECK BOLT M6X12		4	*			
106-1	JM27100086	PAN H SQUARE NECK BOLT M6X12	O	2				
107	JM27100016	HEX LOCK NUT M6		2	*			
107-1	JM27100016	HEX LOCK NUT M6	O	2				
108	JM27110003	WORKING TABLE COMPLETE		1				
D10		INC. 103						
109	JM27100087	FLAT H SQUARE NECK BOLT M6X16		6	*			
109-1	JM27100087	FLAT H SQUARE NECK BOLT M6X16	O	3				
110	JM27100090	TABLE INSERT		1	*			
110-1	JM27100148	TABLE INSERT	<	1				
111	JM27100091	FLAT HEAD SCREW M5X16		6	*			
111-1	JM27100091	FLAT HEAD SCREW M5X16	O	6				
112	JM27100131	HEX BOLT M6X12 W/FLAT WASHER		2	*			
112-1	JM27100131	HEX BOLT M6X12 W/FLAT WASHER	O	2				
113	JM27100016	HEX LOCK NUT M6		2	*			
113-1	JM27100016	HEX LOCK NUT M6	O	2				
114	JM27100092	SIDE WORKING TABLE		1				
115	JM27100131	HEX BOLT M6X12 W/FLAT WASHER		2	*			
115-1	JM27100131	HEX BOLT M6X12 W/FLAT WASHER	O	2				
116	JM27100016	HEX LOCK NUT M6		1	*			
116-1	JM27100016	HEX LOCK NUT M6	O	1				
117	JM27100093	FLAT WASHER 6 (XL)		1	*			
117-1	JM27100093	FLAT WASHER 6 (XL)	O	1				
118	JM27100094	SLEEVE 16X8X10		2	*			
118-1	JM27100094	SLEEVE 16X8X10	O	1				
119	JM27100095	LEFT GUARD		1				
120	JM27100096	RIGHT GUARD		1				
121	JM27100097	CONNECTING BOLT		1				
122	JM27100103	FLAT WASHER 8(L)		1	*			

Please order the parts with part number.

Print Date 22/9/2021

Model No.2712 315MM TABLE SAW

Položaj	Številka dela	Opis	Sprememba	Količina	New/Old	Opcijsko 1	Opcijsko 2	Opomba
122-1	JM27100103	FLAT WASHER 8(L)	O	1				
123	JM27100099	SPRING PIN 4X12		1	*			
123-1	JM27100099	SPRING PIN 4X12	O	1				
124	JM27100098	LOCK LEVER		1				
125	JM27100105	TAPPING SCREW ST3.9X9.5		4	*			
125-1	JM27100105	TAPPING SCREW ST3.9X9.5	O	4				
126	JM27110004	GUARD ASSEMBLY		1				
D10		INC. 116-125			*			
D11		INC. 116-125, 171-173						
127	JM27100009	E SHAPE RETAINING RING 8		2	*			
127-1	JM27100009	E SHAPE RETAINING RING 8	O	1				
128	JM27100131	HEX BOLT M6X12 W/FLAT WASHER		4	*			
128-1	JM27100131	HEX BOLT M6X12 W/FLAT WASHER	O	2				
129	JM27100010	WHEEL BRACKET LEFT		1	*			
129-1	JM27100010	WHEEL BRACKET LEFT	O	1				
130	JM27100012	WHEEL		2	*			
130-1	JM27100012	WHEEL	O	1				
131	JM27100102	RETAINING RING S-12		2	*			
131-1	JM27100102	RETAINING RING S-12	O	1				
132	JM27100013	WHEEL SHAFT		1				
133	JM27100014	WHEEL BRACKET RIGHT		1	*			
133-1	JM27100014	WHEEL BRACKET RIGHT	O	1				
134	JM27100022	FLAT HEAD SCREW M8X25		4	*			
134-1	JM27100022	FLAT HEAD SCREW M8X25	O	1				
135	JM27100021	SHOCK PAD		4	*			
135-1	JM27100021	SHOCK PAD	O	1				
136	JM27100020	HEX NUT M8		4	*			
136-1	JM27100020	HEX NUT M8	O	1				
137	JM27100016	HEX LOCK NUT M6		4	*			
137-1	JM27100016	HEX LOCK NUT M6	O	2				
138	JM27100018	FLAT WASHER 6		4	*			
138-1	JM27100018	FLAT WASHER 6	O	2				
139	JM27100016	HEX LOCK NUT M6		8	*			
139-1	JM27100016	HEX LOCK NUT M6	O	1				
140	JM27100131	HEX BOLT M6X12 W/FLAT WASHER		8	*			
140-1	JM27100131	HEX BOLT M6X12 W/FLAT WASHER	O	1				
141	JM27100016	HEX LOCK NUT M6		16	*			
141-1	JM27100016	HEX LOCK NUT M6	O	2				
142	JM27100015	LEG		3	*			

Model No.2712 315MM TABLE SAW

Položaj	Številka dela	Opis	Sprememba	Količina	New/Old	Opcijsko 1	Opcijsko 2	Opomba
142-1	JM27100015	LEG	O	1				
143	JM27100019	BEAM L=85CM		2	*			
143-1	JM27100019	BEAM L=85CM	O	1				
144	JM27100016	HEX LOCK NUT M6		4	*			
144-1	JM27100016	HEX LOCK NUT M6	O	1				
145	JM27100131	HEX BOLT M6X12 W/FLAT WASHER		4	*			
145-1	JM27100131	HEX BOLT M6X12 W/FLAT WASHER	O	1				
146	JM27100017	BEAM L=60CM		1				
147	JM27100024	LEG A		1				
148	JM27100023	SELF TAPPING SCREW ST4X13		3	*			
148-1	JM27100023	SELF TAPPING SCREW ST4X13	O	3				
149	JM27100017	BEAM L=60CM		2	*			
149-1	JM27100017	BEAM L=60CM	O	1				
150	JM27100029	HEX BOLT M8X45		2	*			
150-1	JM27100029	HEX BOLT M8X45	O	1				
151	JM27100054	FLAT WASHER 8		4	*			
151-1	JM27100054	FLAT WASHER 8	O	1				
152	JM27100131	HEX BOLT M6X12 W/FLAT WASHER		4	*			
152-1	JM00000373	HEX BOLT M6X16	O	2				
153	JM27100028	HANDLE BRACKET I		2	*			
153-1	JM27100028	HANDLE BRACKET I	O	1				
154	JM27100053	HEX LOCK NUT M8		2	*			
154-1	JM27100053	HEX LOCK NUT M8	O	1				
155	JM27100027	HANDLE		2	*			
155-1	JM27100027	HANDLE	O	1				
156	JM27100026	HANDLE BRACKET II		2	*			
156-1	JM27100026	HANDLE BRACKET II	O	1				
157	JM27100016	HEX LOCK NUT M6		4	*			
157-1	JM27100016	HEX LOCK NUT M6	O	2				
158	JM27100018	FLAT WASHER 6		1				
159	JM27100108	HEX NUT M6		2	*			
159-1	JM27100108	HEX NUT M6	O	1				
160	JM27100030	HOOK		1				
161	JM27100133	SWITCH COVER		1	*			
162	JM27100134	TAPPING SCREW ST3X12		2	*			
163	JM27100135	WATERPROOF COVER		1	*			
164	JM27100136	LOW COVER		1	*			
165	JM27100138	SWITCH HV		1	*			
166	JM27100140	TERMINAL POLE PA8		1	*			
167	JM27100141	UP COVER		1	*			

Model No.2712 315MM TABLE SAW

Položaj	Številka dela	Opis	Sprememba	Količina	New/Old	Opcijsko 1	Opcijsko 2	Opomba
168	JM27100143	TAPPING SCREW ST4.2X18		4	*			
169	JM27100112	SWITCH HV ASSEMBLY		1	*			
D10		INC. 161-168			*			
169-1	JM27100112	SWITCH HV ASSEMBLY	O	1				
D10		INC. 161-168			*			
170	JM27100003	POWER SUPPLY CORD EURO 3P		1	*			
170-1	JM27100003	POWER SUPPLY CORD EURO 3P	O	1				
171	JM27100094	SLEEVE 16X8X10		1				
172	JM2708B060	CAUTION LABEL		1				
173	JM27080108	LABEL(RIVING KNIFE SETTING)		1				
176	JM27100077	KNOB		1				
177	JM27100108	HEX NUT M6		1				
178	JM27100076	KNOB CAP		1				
179	JM27100132	FLAT WASHER 6 (L)		1				
180	JM27100079	E SHAPE RETAINING RING 4		1				
181	JM27100053	HEX LOCK NUT M8		2				
182	JM00000370	FLAT WASHER 8 (L)		2				
183	JM27100016	HEX LOCK NUT M6		1				
184	JM27100132	FLAT WASHER 6 (L)		1				
185	JM27180025	MAKITA LOGO LABEL		1				
186	JM27100075	SQUARE NECK BOLT M6X30		1				
187	JM27100074	SPECIAL HEX SOCKET BOLT M8X20		2				
188	JM27100051	SPRING WASHER 8		1				
189	JM00000361	SCALE LABEL (BLADE HEIGHT)		1				
190	JM27100110	HEX SOCKET HEAD BOLT M4X6		2				
191	JM27100032	FLAT WASHER 5		1				
192	JM27100070	HEX NUT M10		1				
193	JM00000370	FLAT WASHER 8 (L)		2				
194	JM27100053	HEX LOCK NUT M8		2				
195	JM00000370	FLAT WASHER 8 (L)		1				
196	JM27100053	HEX LOCK NUT M8		1				
197	JM27100046	FLAT WASHER 4(L)		2				
198	JM27100045	HEX LOCK NUT M4		2				
199	JM27100111	HEX LOCK NUT M5		2				
200	JM27100032	FLAT WASHER 5		2				
201	JM27100031	PAN HEAD SCREW M5X10		2				
202	JM27180024	MAKITA LOGO LABEL		1				
203	JM00000351	FAN		1				

Model No.2712 315MM TABLE SAW

Položaj	Številka dela	Opis	Sprememba	Količina	New/Old	Opcijsko 1	Opcijsko 2	Opomba
204	JM00000352	FAN COVER		1				
205	JM00000353	FLAT HEAD SCREW M4X6		2				
206	JM00000354	TERMINAL BOX		1				
207	JM00000355	FLAT WASHER 4 (L)		4				
208	JM00000356	PAN GEAD SCREW M4X10		4				
209	JM00000371	TERMINAL BLOCK 4P		1				
210	JM00000372	SELF TAPPING SCREW ST3X14		2				
211	JM27100153	CIRCUIT BREAKER,HV		1				
212	JM27100159	CAPACITOR 20 MICRO F		1				
213	JM00000357	TERMINAL BOX GASKET		1				
214	JM00000358	TERMINAL BOX COVER		1				
215	JM00000359	TAPPING SCREW ST2.9X13		6				
216	JM27100144	PLUG		1				
233	JM27100016	HEX LOCK NUT M6		2				
234	JM27100087	FLAT H SQUARE NECK BOLT M6X16		3				
235	JM27100086	PAN H SQUARE NECK BOLT M6X12		2				
236	JM27100018	FLAT WASHER 6		1				
237	JM27100016	HEX LOCK NUT M6		1				
238	JM27100132	FLAT WASHER 6 (L)		1				
239	JM27100016	HEX LOCK NUT M6		1				
240	JM27100018	FLAT WASHER 6		1				
241	JM27100016	HEX LOCK NUT M6		1				
242	JM27100132	FLAT WASHER 6 (L)		1				
243	JM27100016	HEX LOCK NUT M6		1				
244	JM27100131	HEX BOLT M6X12 W/FLAT WASHER		2				
245	JM27100016	HEX LOCK NUT M6		2				
246	JM27100015	LEG		1				
247	JM27100131	HEX BOLT M6X12 W/FLAT WASHER		2				
248	JM27100016	HEX LOCK NUT M6		2				
249	JM27100131	HEX BOLT M6X12 W/FLAT WASHER		2				
250	JM27100016	HEX LOCK NUT M6		2				
251	JM27100015	LEG		1				
252	JM27100131	HEX BOLT M6X12 W/FLAT WASHER		2				
253	JM27100016	HEX LOCK NUT M6		2				
254	JM27100131	HEX BOLT M6X12 W/FLAT WASHER		2				
255	JM27100131	HEX BOLT M6X12 W/FLAT WASHER		2				
256	JM27100016	HEX LOCK NUT M6		2				
257	JM27100131	HEX BOLT M6X12 W/FLAT WASHER		2				

Please order the parts with part number.

Print Date 22/9/2021

Model No.2712 315MM TABLE SAW

Položaj	Številka dela	Opis	Sprememba	Količina	New/Old	Opcijsko 1	Opcijsko 2	Opomba
258	JM27100016	HEX LOCK NUT M6		2				
259	JM27100131	HEX BOLT M6X12 W/FLAT WASHER		1				
260	JM27100016	HEX LOCK NUT M6		1				
261	JM27100019	BEAM L=85CM		1				
262	JM27100131	HEX BOLT M6X12 W/FLAT WASHER		1				
263	JM27100016	HEX LOCK NUT M6		1				
264	JM27100131	HEX BOLT M6X12 W/FLAT WASHER		1				
265	JM27100016	HEX LOCK NUT M6		1				
266	JM27100131	HEX BOLT M6X12 W/FLAT WASHER		1				
267	JM27100016	HEX LOCK NUT M6		1				
268	JM27100131	HEX BOLT M6X12 W/FLAT WASHER		1				
269	JM27100016	HEX LOCK NUT M6		1				
270	JM27100131	HEX BOLT M6X12 W/FLAT WASHER		1				
271	JM27100016	HEX LOCK NUT M6		1				
272	JM27100131	HEX BOLT M6X12 W/FLAT WASHER		1				
273	JM27100016	HEX LOCK NUT M6		1				
274	JM27100131	HEX BOLT M6X12 W/FLAT WASHER		1				
275	JM27100016	HEX LOCK NUT M6		1				
276	JM27100131	HEX BOLT M6X12 W/FLAT WASHER		1				
277	JM27100016	HEX LOCK NUT M6		1				
278	JM27100131	HEX BOLT M6X12 W/FLAT WASHER		1				
279	JM27100016	HEX LOCK NUT M6		1				
280	JM27100108	HEX NUT M6		1				
281	JM27100029	HEX BOLT M8X45		1				
282	JM27100028	HANDLE BRACKET I		1				
283	JM27100027	HANDLE		1				
284	JM27100026	HANDLE BRACKET II		1				
285	JM27100054	FLAT WASHER 8		1				
286	JM27100053	HEX LOCK NUT M8		1				
287	JM27100016	HEX LOCK NUT M6		2	*			
287-1	JM27100108	HEX NUT M6	X	2				
288	JM27100132	FLAT WASHER 6 (L)		2				
289	JM27100132	FLAT WASHER 6 (L)		2				
290	JM00000373	HEX BOLT M6X16		2				
291	JM27100016	HEX LOCK NUT M6		2	*			
291-1	JM27100108	HEX NUT M6	X	2				
292	JM27100132	FLAT WASHER 6 (L)		2				
293	JM27100132	FLAT WASHER 6 (L)		2				

Model No.2712 315MM TABLE SAW

Položaj	Številka dela	Opis	Sprememba	Količina	New/Old	Opcijsko 1	Opcijsko 2	Opomba
294	JM27100020	HEX NUT M8		1				
295	JM27100021	SHOCK PAD		1				
296	JM27100022	FLAT HEAD SCREW M8X25		1				
297	JM27100020	HEX NUT M8		1				
298	JM27100021	SHOCK PAD		1				
299	JM27100022	FLAT HEAD SCREW M8X25		1				
300	JM27100020	HEX NUT M8		1				
301	JM27100021	SHOCK PAD		1				
302	JM27100022	FLAT HEAD SCREW M8X25		1				
303	JM27100009	E SHAPE RETAINING RING 8		1				
304	JM27100131	HEX BOLT M6X12 W/FLAT WASHER		2				
305	JM27100018	FLAT WASHER 6		2				
306	JM27100016	HEX LOCK NUT M6		2				
307	JM27100102	RETAINING RING S-12		1				
308	JM27100012	WHEEL		1				
309	JM27180026	CAUTION LABEL		1				
310	JM27110005	MITER GAUGE ASSEMBLY		1				
D10		INC.311-327						
311	JM27100127	FENCE COVER A		1				
312	JM27100126	FENCE		1				
313	JM27100124	STEPPED SCREW M5X12		1				
314	JM27100115	KNOB BOLT M6X72		1				
315	JM27100117	SLEEVE COVER		1				
316	JM27100118	SLEEVE 14X11X57		1				
317	JM27100117	SLEEVE COVER		1				
318	JM27100120	THICK WASHER 6(L)		1				
319	JM27100116	KNOB BOLT M6X13		1				
320	JM27100132	FLAT WASHER 6 (L)		1				
321	JM27100121	MITER GAUGE		1				
322	JM27100119	KNOB NUT M6		2				
323	JM27100132	FLAT WASHER 6 (L)		2				
324	JM27100011	HEX BOLT M6X12		2				
325	JM27100122	FLAT WASHER 6		1				
326	JM27100123	SLIDING BAR		1				
327	JM27100125	FENCE COVER B		1				
328	JM27180007	NAME PLATE		1				
329	JM27100081	SLIDING BLOCK		1				
330	JM27100129	SIDE TABLE SUPPORT ROD		2				
331	JM27100032	FLAT WASHER 5		1				
A01	JM27110005	MITER GAUGE ASSEMBLY		1	*			
D10		COMPO-PARTS			*			

Please order the parts with part number.

Print Date 22/9/2021

Model No.2712 315MM TABLE SAW

Položaj	Številka dela	Opis	Sprememba	Količina	New/Old	Opcijsko 1	Opcijsko 2	Opomba
A02	JM27100128	PUSH STICK		1				
A03	JM27170002	WRENCH		1	*			
A03-1	JM27170002	WRENCH	O	1				
A04	JM27170003	OPEN WRENCH		2	*			
A04-1	JM27170003	OPEN WRENCH	O	2				
A05	JM27100129	SIDE TABLE SUPPORT ROD		2	*			
A06	JM27100130	PUSH BLOCK		1				
A07	JM27170004	SPECIAL WRENCH		1	*			
A07-1	JM27170004	SPECIAL WRENCH	O	1				
A08	JM27170001	SAW BLADE		1	*			
A08-1	JM27170005	TIP SAW BLADE 315 SET	<	1				

Please order the parts with part number.

Print Date 22/9/2021