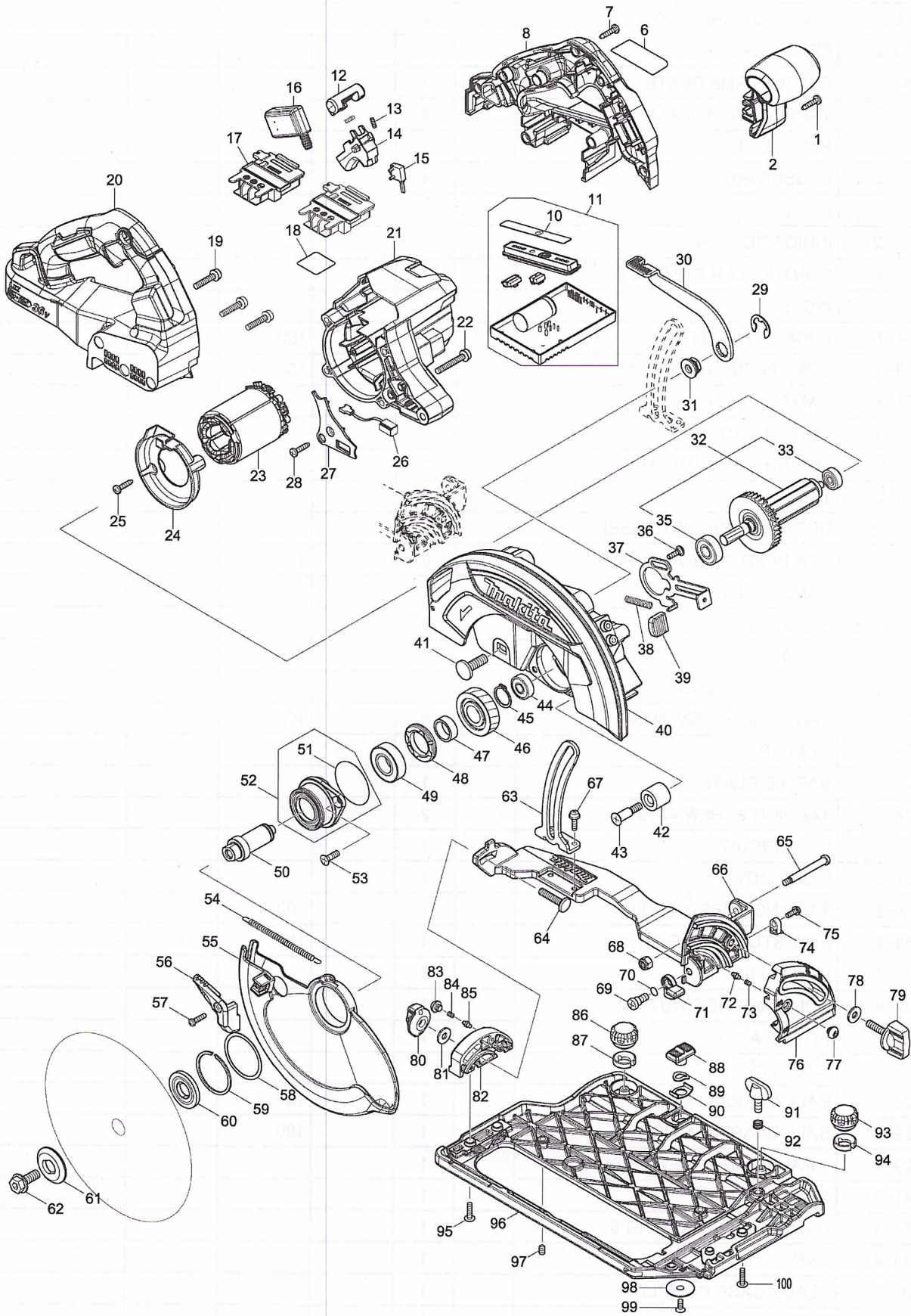


Model No.DHS782 185MM CORDLESS CIRCULAR SAW



Model No.DHS782 185MM CORDLESS CIRCULAR SAW

Item	Parts No.	Description	I/C	QTY	New/Old	Opt. 1	Opt. 2	NOTE
001	266326-2	TAPPING SCREW 4X18		1		100		
002	458750-5	FRONT GRIP		1				
006	855P91-0	DHS782 NAME PLATE		1				
007	266326-2	TAPPING SCREW 4X18		8		100		
008	183K51-5	HANDLE SET		1				
C10	263005-3	RUBBER PIN 6		4		100		
D10		INC. 20						
010	812G25-2	INDICATION LABEL		1				
011	620983-4	CONTROLLER COMPLETE		1				
D10		INC. 10						
012	419704-7	LOCK OFF BUTTON		1		100		
013	231433-0	COMPRESSION SPRING 4		2		100		
014	458594-3	SWITCH LEVER		1				
015	632M92-5	SWITCH UNIT		1				
016	651083-9	SWITCH C3XA-1PSPM		1				
017	643874-2	TERMINAL		2				
018	855P95-2	DHS782 SERIAL NO. LABEL		1				
019	911243-8	PAN HEAD SCREW M5X25		3		100		
020	183K51-5	HANDLE SET		1				
C10	263005-3	RUBBER PIN 6		4		100		
D10		INC. 8						
021	458746-6	MOTOR HOUSING		1				
022	911258-5	PAN HEAD SCREW M5X35		4		100		
023	629375-4	STATOR		1				
024	458749-0	BAFFLE PLATE		1				
025	266326-2	TAPPING SCREW 4X18		2		100		
026	620936-3	LED CIRCUIT		1				
027	458751-3	LIGHT COVER		1				
028	266326-2	TAPPING SCREW 4X18		1		100		
029	257953-6	BOW STOP RING E-12		1		100		
030	271447-7	LEVER 110		1				
031	252262-8	COLLERED HEX. NUT M8		1				
032	519534-7	ROTOR ASSY		1				
D10		INC. 33,35						
033	210022-4	BALL BEARING 626DDW		1		100		
035	210059-1	BALL BEARING 6000DDW		1		100		
036	251529-1	+ PAN HEAD SCREW M4X14		1				
037	347441-2	SHAFT LOCK		1				
038	232381-6	COMPRESSION SPRING 6		1				
039	286039-9	CAP		1				
040	140F30-6	BLADE CASE COMPLETE		1				
C10	213434-0	O RING 26		1		100		
C20	818C45-0	SCALE LABEL		1				
041	266396-1	FLATHEAD SQUARENECKBOLT M8X24		1		100		
042	262185-2	RUBBER SLEEVE8		1				

Please order the parts with part number.

Print Date 8/11/2019

Model No.DHS782 185MM CORDLESS CIRCULAR SAW

Item	Parts No.	Description	I/C	QTY	New/Old	Opt. 1	Opt. 2	NOTE
043	251572-0	+ COUNTERSUNK HEAD SCREW M6X30		1				
044	210029-0	BALL BEARING 608ZZ		1		100		
045	961057-5	RETAINING RING S-17		1		100		
046	226838-7	HELICAL GEAR 37		1				
047	257451-0	RING 17		1				
048	285809-3	BEARING RETAINER 23-36		1		100		
049	210301-0	BALL BEARING 6003DDW		1		100		
050	327192-3	SPINDLE		1				
051	213565-5	O RING 42		1		100		
052	136021-7	BEARING BOX ASSY		1				
D10		INC. 51						
053	265034-2	+ COUNTERSUNK HEAD SCREW M5X16		2		100		
054	232467-6	TENSION SPRING 4		1				
055	319740-2	SAFETY COVER		1				
056	271450-8	LEVER 37		1				
057	265178-8	PAN HEAD SCREW M4X16		1		100		
058	267337-0	FLAT WASHER 40		1		100		
059	257452-8	RETAINING RING (EXT) WR-40		1				
060	224593-5	INNER FLANGE 35		1				
061	224409-4	OUTER FLANGE 35		1		100		
062	266283-4	HEX. SOCKET HEX. BOLT M8X20		1		100		
063	347532-9	DEPTH GUIDE		1				
064	251920-3	CAP SQUARE NECK BOLT M6X30		1		100		
065	265118-6	+ PAN HEAD SCREW M5		1		100		
066	319829-6	FRAME		1				
067	911516-9	PAN HEAD SCREW M4X12		2		100		
068	252103-8	HEX. LOCK NUT M5-8		1		100		
069	251267-5	+ PAN HEAD SCREW M6		1		100		
070	213026-5	O RING 7		1		100		
071	319827-0	STOPPER		1				
072	263041-9	SHOULDER PIN 3-5		1				
073	231234-6	COMPRESSION SPRING 3.5		1		100		
074	419632-6	POSITION PLATE		1		100		
075	911118-1	PAN HEAD SCREW M4X12		1		100		
076	319830-1	FRONT ANGULAR PLATE		1				
077	266559-9	H.S.BUTTON HEAD BOLT M6X4		1				
078	253111-2	FLAT WASHER 6		1		100		
079	265776-8	THUMB SCREW M6X26		1		100		
080	252270-9	THUMB NUT M6		1				
081	253111-2	FLAT WASHER 6		1		100		
082	319831-9	REAR ANGULAR PLATE		1				
083	266559-9	H.S.BUTTON HEAD BOLT M6X4		1				
084	231234-6	COMPRESSION SPRING 3.5		1		100		
085	263041-9	SHOULDER PIN 3-5		1				

Please order the parts with part number.

Print Date 8/11/2019

Model No.DHS782 185MM CORDLESS CIRCULAR SAW

Item	Parts No.	Description	I/C	QTY	New/Old	Opt. 1	Opt. 2	NOTE
086	265775-0	THUMB SCREW M4X3		1		100		
087	419627-9	HOLDER		1		100		
088	458092-7	SLIDE LEVER		1				
089	253932-2	WAVE WASHER 10		1		100		
090	345977-5	PLATE		1		100		
091	265701-9	THUMB SCREW M6X14		1		100		
092	233376-2	COMPRESSION SPRING 8		1		100		
093	265775-0	THUMB SCREW M4X3		1		100		
094	419627-9	HOLDER		1		100		
095	265174-6	+ TRUSS HEAD SCREW M4X16		2				
096	319828-8	BASE		1				
097	266225-8	H.S.SET SCREW(FLAT POINT)M6X8		3		100		
098	345748-0	LOCK WASHER		1		100		
099	912112-6	COUNTERSUNK HEAD SCREW M4X10		1		100		
100	265174-6	+ TRUSS HEAD SCREW M4X16		2				
A01	164095-8	GUIDE RULE		1				
A02	196520-1	DUST NOZZLE SET		1				
C10	911128-8	P.H.SCREW M4X16 WITH WR		1		100		
A03	783204-6	HEX. WRENCH 6		1				
A04	B-64185	TCT BLADE190X24T WOOD EFFICUT		1				
A06B	***DC18RD	DC18RD TWO PORT FAST CHARGER		1				
D10		COMPO-PARTS						
A07B	197280-8	BATTERY BL1850B SET		2	*			
A07-1B	197280-8	BATTERY BL1850B SET	O	2				
A08B	819H62-3	DHS782PT2J INDICATION LABEL		1				
A08C	819H60-7	DHS782ZJ INDICATION LABEL		1				
A09B	819H63-1	DHS782PT2J PLASTIC CASE LABEL		2				
A09C	819H61-5	DHS782ZJ PLASTIC CASE LABEL		2				
A10	821552-6	CONNECTOR PLASTIC CASE (TYPE4)		1				
C10	453974-8	LATCH		4		100		
A11	839750-8	INNER TRAY		1	*			
A11-1	835C85-3	INNER TRAY	<	1				
A12B	821550-0	CONNECTOR PLASTIC CASE (TYPE2)		1				
C10	453974-8	LATCH		4		100		
A13B	454247-2	PIN 4		4				
A14B	837925-3	WAVE SPONGE 240X350		1				
A15B	837926-1	WAVE SPONGE 285X380		1				

Please order the parts with part number.

Print Date 8/11/2019