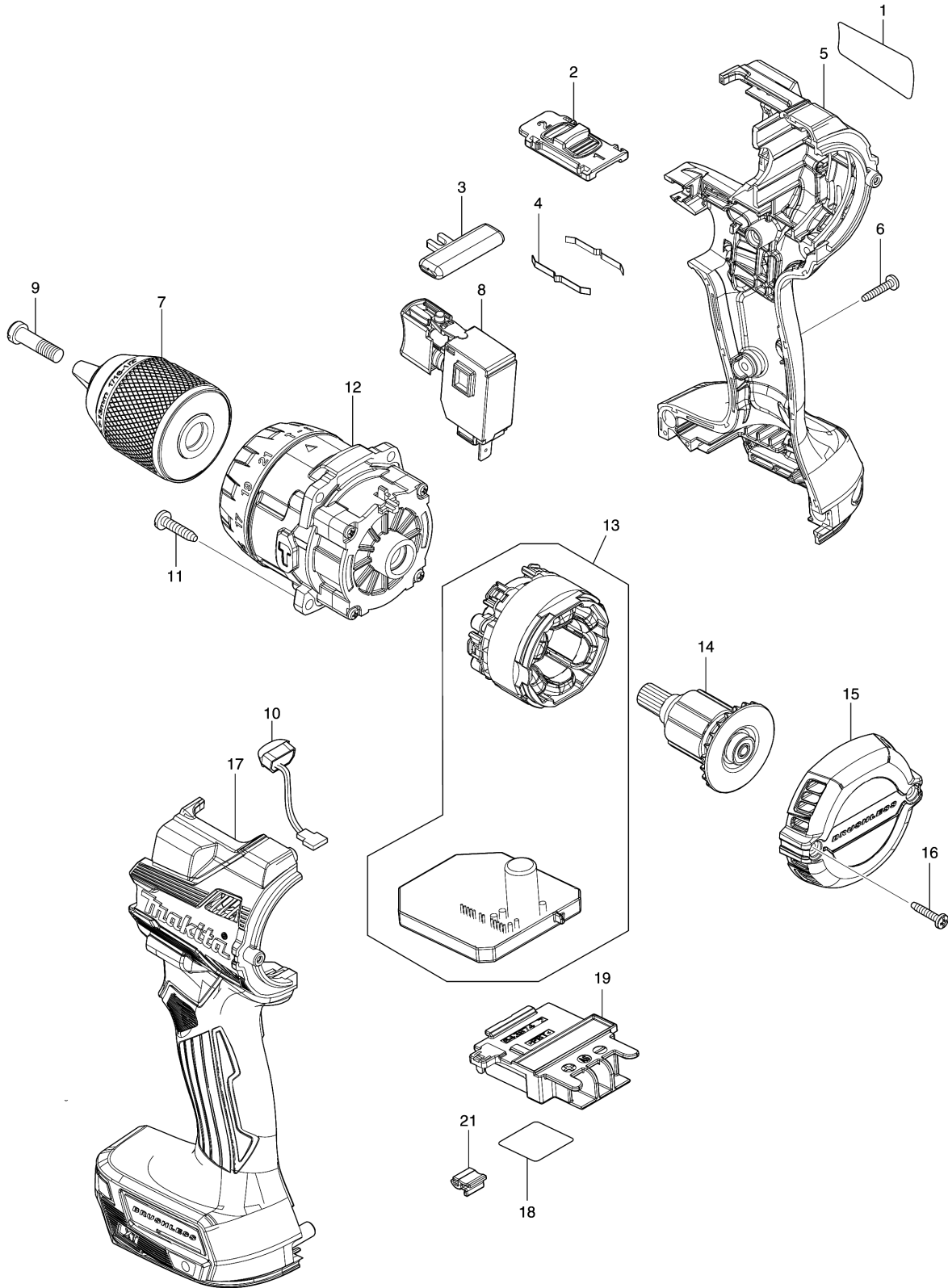


Model No.DHP489 CORDLESS HAMMER DRIVER DRILL



Model No.DHP489 CORDLESS HAMMER DRIVER DRILL

Položaj	Številka dela	Opis	Sprememba	Količina	New/Old	Opcijsko 1	Opcijsko 2	Opomba
001	8585E1-5	DHP489 NAME PLATE		1				
002	127494-5	SPEED CHANGE LEVER ASSEMBLY		1				
C10	233438-6	Tlačna spiralna vzmet 4		2				
003	419041-9	Gumb L/D		1				
004	232220-0	Listnata vzmet HP451D		2				
005	183X19-9	HOUSING SET		1				
C10	263005-3	Gumi zatič 6		2				
C20	252126-6	Šesterokotna matica M4-7 MT070		2				
D10		INC. 17						
006	266130-9	Samovrezni vijak PT 3X16 6935FD		7				
007	763261-0	KEYLESS DRILL CHUCK 13		1				
008	650710-5	Stikalo C3JW-4B DHP480, DDF480		1				
009	251468-5	Vijak z ravno glavo levi navoj M6x22 MT064		1				
010	620549-0	LED CIRCUIT		1				
011	266326-2	Pločevinasti vijak 4x18 UB1103		4				
012	122D65-7	GEAR ASSEMBLY		1				
013	629B98-6	STATOR COMPLETE		1				
014	619797-6	ROTOR		1				
015	413N80-5	REAR COVER		1				
016	266130-9	Samovrezni vijak PT 3X16 6935FD		2				
017	183X19-9	HOUSING SET		1				
C10	263005-3	Gumi zatič 6		2				
C20	252126-6	Šesterokotna matica M4-7 MT070		2				
D10		INC. 5						
018	8585E9-9	DHP489 SERIAL NO. LABEL		1				
019	643874-2	TERMINAL		1				
021	424517-3	Gumi blažilec BHP459		1				
A01	251314-2	Vijak M4x12		1				
A02	346317-0	Obešalni kavelj vijačnika		1				
A03	784637-8	BIT 2-45		1				
A04B	821550-0	Makpac kovček za prenašanje 395 x 295 x 157mm		1				
C10	453974-8	Plastična zaponka za MAKPAC plastične kovček		4				
A05B	8064L4-6	DHP489RTJ PLASTIC CASE LABEL		2				
A06B	837916-4	Makpac type 1 inner layout - BDF343		1				
A07B	450128-8	Pokrov za baterijo		1				
A08B	***DC18RC	DC18RC FAST CHARGER		1				
D10		COMPO-PARTS						
A09B	197280-8	BATTERY BL1850B SET		2				
A10B	8064L3-8	DHP489RTJ INDICATION LABEL		1				

Please order the parts with part number.

Print Date 11/10/2023

Model No.DHP489 CORDLESS HAMMER DRIVER DRILL

Položaj	Številka dela	Opis	Sprememba	Količina	New/Old	Opcijsko 1	Opcijsko 2	Opomba
F01	1912A4-3	GRIP ASSEMBLY SET		1				

Please order the parts with part number.

Print Date 11/10/2023